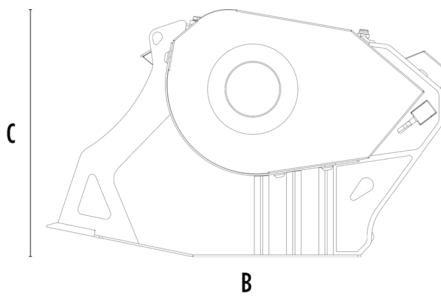
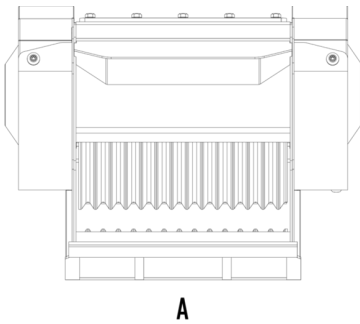


# CRUSHER BUCKET MB-C50 S4



## SPECIFICATIONS



|                            |                |           |
|----------------------------|----------------|-----------|
| Recommended excavator      | ton            | 6,5 - 10  |
| Recommended backhoe loader | ton            | 8 - 9*    |
| Weight                     | ton            | 0,75      |
| Load capacity              | m <sup>3</sup> | 0,15      |
| Pressure                   | bar            | 200 - 250 |
| Back pressure              | bar            | < 10      |
| Oil flow rate**            | l/min          | 90 - 120  |
| Mouth width                | mm             | 590       |
| Mouth height               | mm             | 280       |
| Size A                     | mm             | 1000      |
| Size B                     | mm             | 1240      |
| Size C                     | mm             | 770       |

\* Applicable only on the rear arm of the backhoe.

\*\* The minimum hydraulic flow rate value must be alongside the required operating pressure

## OPTIONAL ACCESSORIES

Dust suppression kit

Hour meter

24 Month warranty

## APPLICATION AREAS



Demolitions



Road works



Tunnels



Enclosed spaces



Pipelines



Recycling aggregates



Urban construction site



Forest Maintenance

