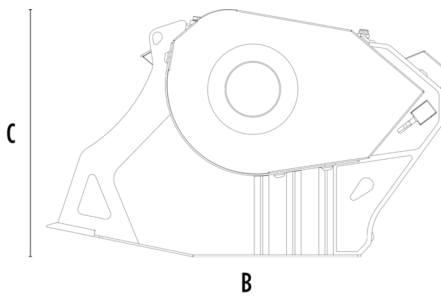
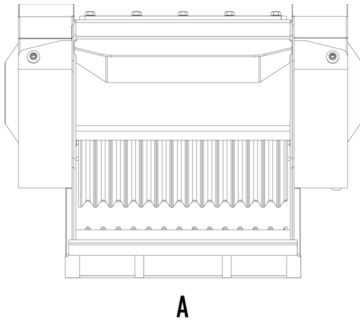


CRUSHER BUCKET MB-C50 S4



SPECIFICATIONS



Recommended excavator	lb	14,330 - 22,050
Recommended backhoe loader	lb	17,640 - 19,840*
Weight	lb	1,653
Load capacity	cy	0.2
Pressure	PSI	2,901 - 3,626
Back pressure	PSI	< 145
Oil flow rate**	gal/min	24 - 32
Mouth width	in	23
Mouth height	in	11
Size A	in	39
Size B	in	49
Size C	in	30

* Applicable only on the rear arm of the backhoe.

** The minimum hydraulic flow rate value must be alongside the required operating pressure

OPTIONAL ACCESSORIES

Dust suppression kit

Hour meter

APPLICATION AREAS



Demolitions



Road works



Tunnels



Enclosed spaces



Pipelines



Recycling aggregates



Urban construction site



Forest Maintenance

