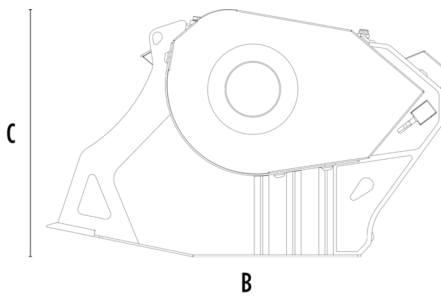
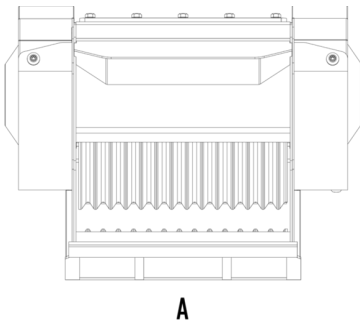


CRUSHER BUCKET

MB-C50 S4



SPECIFICATIONS



Recommended excavator	ton	6,5 - 10
Recommended backhoe loader	ton	8 - 9*
Weight	ton	0,75
Load capacity	m ³	0,15
Pressure	bar	200 - 250
Back pressure	bar	< 10
Oil flow rate**	l/min	90 - 120
Mouth width	mm	590
Mouth height	mm	280
Size A	mm	1000
Size B	mm	1240
Size C	mm	770









* Applicable only on the rear arm of the backhoe.

** The minimum hydraulic flow rate value must be alongside the required operating pressure

OPTIONAL ACCESSORIES

Dust suppression kit	Hour meter
24 Month warranty	

APPLICATION AREAS

 Demolitions	 Road works	 Tunnels	 Enclosed spaces	 Pipelines
 Recycling aggregates	 Urban construction site	 Forest Maintenance		

