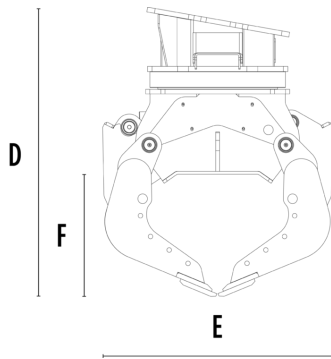
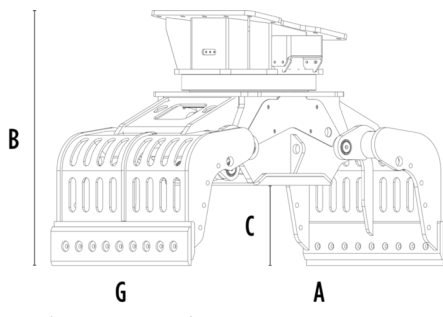


SORTING GRAPPLE

MB-G1000 S4



SPECIFICATIONS

Recommended excavator	ton	18 - 25
Weight	ton	1,62
Capacity (claws closed)	m ³	0,44
Rotation	Degree	360°
Oil pressure (rotation)	bar	200 - 250
Oil flow rate (rotation)	l/min	60 - 80
Maximum oil pressure (opening - closing)	bar	300 - 350
Maximum oil flow rate (opening - closing)	l/min	70 - 90
Size A	mm	1860
Size B	mm	1375
Size C	mm	510
Size D	mm	1500
Size E	mm	1200
Size F	mm	640
Size G	mm	1015

OPTIONAL ACCESSORIES

Remote power control system

24 Month Warranty

APPLICATION AREAS



Demolitions



Road works



Quarry



Mines



Tunnels



Enclosed spaces



Pipelines



Urban construction sites



Maintaining landscape and agricultural areas



Forest maintenance

