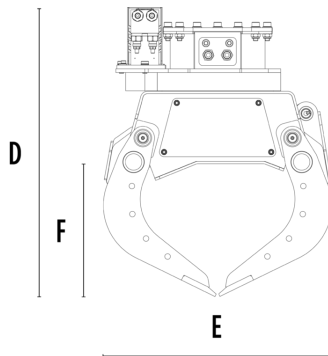
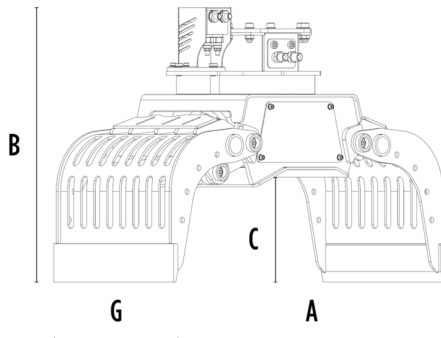


# SORTING GRAPPLE

# MB-G450 S4



## SPECIFICATIONS



Recommended excavator	ton	3,5 - 5,5
Weight	ton	0,288
Capacity (claws closed)	m <sup>3</sup>	0,10
Rotation	Degree	360°
Oil pressure (rotation)	bar	150 - 200
Oil flow rate (rotation)	l/min	10 - 20
Maximum oil pressure (opening - closing)	bar	180 - 220
Maximum oil flow rate (opening - closing)	l/min	20 - 30
Size A	mm	1300
Size B	mm	865
Size C	mm	425
Size D	mm	960
Size E	mm	770
Size F	mm	520
Size G	mm	475

## OPTIONAL ACCESSORIES

Multi-purpose blade kit	Clam shell kit
Serrated side plate kit	Grip improvement kit
Rubber protection kit	Electrical kit (for 2 hose functionality) 12 V

## APPLICATION AREAS



Demolitions



Road works



Tunnels



Enclosed spaces



Pipelines



Urban construction site



Maintaining landscape and agricultural areas



Forest Maintenance