

# Kress

## Commercial



Cordless Grass Trimmer	EN	P03
Kabelloser Rasentrimmer	D	P18
Coupe-bordure sans fil	F	P34
Decespugliatore senza fili	I	P49
Cortabordes a batería	ES	P64
Aparador de relva sem fio	PT	P79
Snoerloze grastrimmer	NL	P94
Akkumulátoros szegélynyíró	HU	P109
Motocoasă fără fir	RO	P125
Bezprzewodowa podkaszarka do trawy	PL	P140
Bezdrátová strunová sekačka na trávu	CZ	P155
Akumulátorová kosačka na trávu	SK	P170
Brezžični obrezovalnik trave	SL	P185
Akumulatorski trimer za travu	HR	P200
Ledningsfri græstrimmer	DK	P214
Akkukäyttöinen ruohotrimmeri	FIN	P228
Trådløs gresstrimmer	NOR	P242
Sladdlös grästrimmer	SV	P256
<b>KC100 KC100.X</b>		



# TABLE OF CONTENTS

Introduction.....	3
Component List.....	4
Product Safety.....	5
Assembly & Operation.....	9
Transportation.....	11
Maintenance.....	12
Cleaning.....	13
Storage.....	13
Troubleshooting.....	14
Technical Data.....	15
Environmental Protection.....	16
Declaration of Conformity.....	16

EN

## INTRODUCTION

Dear Customer,

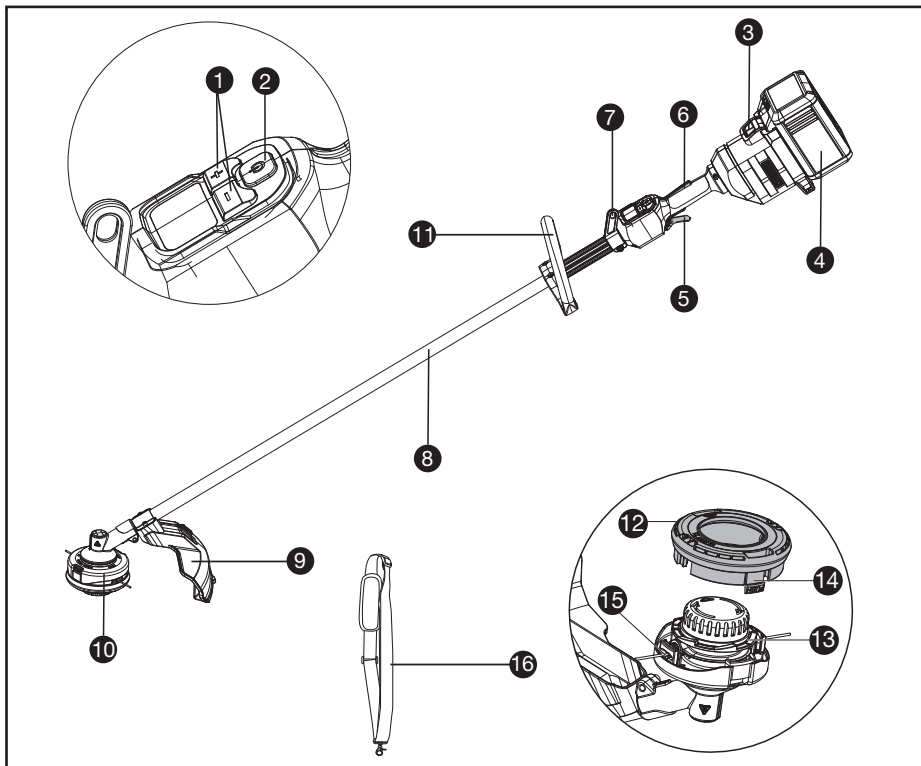
Thank you for buying this Kress Commercial product. We are dedicated to developing high quality products to meet your commercial landscaping requirements.

The Kress brand is synonymous with premium quality service. Over the years of your product's life, if you have any questions or concerns about your product, please contact your dealer or our Customer Service Team for assistance.

We are confident you will enjoy working with your Kress product for years to come.

## INTENDED USE

This machine is intended for cutting grass and high weeds that cannot be reached with a lawn mower. This machine is also used on areas with slopes not conducive to mowing.



EN

## COMPONENT LIST

- |     |                          |
|-----|--------------------------|
| 1.  | SPEED CONTROL            |
| 2.  | ON / OFF SWITCH          |
| 3.  | BATTERY PACK RELEASE     |
| 4.  | BATTERY PACK *           |
| 5.  | THROTTLE TRIGGER         |
| 6.  | OPERATOR PRESENCE SWITCH |
| 7.  | SHOULDER STRAP MOUNT     |
| 8.  | SHAFT                    |
| 9.  | DEBRIS GUARD             |
| 10. | TRIMMER HEAD             |
| 11. | FRONT HANDLE             |
| 12. | SPOOL CAP                |
| 13. | SPOOL                    |
| 14. | CAP RELEASE LATCH        |
| 15. | EYELET                   |
| 16. | SHOULDER STRAP *         |

\* Not all the accessories illustrated or described are included in standard delivery.

# ORIGINAL INSTRUCTIONS

## PRODUCT SAFETY

### GENERAL POWER TOOL

### SAFETY WARNINGS



**WARNING** Read all safety warnings, instructions, illustrations and specifications provided with this power tool. Failure to follow all instructions listed below may result in electric shock, fire and/or serious injury.

Save all warnings and instructions for future reference.

The term "power tool" in the warnings refers to your mains-operated (corded) power tool or battery-operated (cordless) power tool.

#### 1) Work area safety

- a) **Keep work area clean and well lit.** Cluttered or dark areas invite accidents.
- b) **Do not operate power tools in explosive atmospheres, such as in the presence of flammable liquids, gases or dust.** Power tools create sparks which may ignite the dust or fumes.
- c) **Keep children and bystanders away while operating a power tool.** Distractions can cause you to lose control.

#### 2) Electrical safety

- a) **Power tool plugs must match the outlet. Never modify the plug in any way. Do not use any adapter plugs with earthed (grounded) power tools.** Unmodified plugs and matching outlets will reduce risk of electric shock.
- b) **Avoid body contact with earthed or grounded surfaces, such as pipes, radiators, ranges and refrigerators.** There is an increased risk of electric shock if your body is earthed or grounded.
- c) **Do not operate the machine in rain or wet conditions.** This may increase the risk of electric shock. Once got wet in the rain during operation, the machine and the battery should be dried before storing or charging. Remove the battery and reinsert it if the machine fails to turn on. Keep battery connection free of dirt and debris, and clean with a soft and dry brush or cloth.
- d) **Do not abuse the cord. Never use the cord for carrying, pulling or unplugging the power tool. Keep cord away from heat, oil, sharp edges or moving parts.** Damaged or entangled cords increase the risk of electric shock.
- e) **When operating a power tool outdoors, use an extension cord suitable for outdoor use.** Use of a cord suitable for outdoor use reduces the risk of electric shock.
- f) **If operating a power tool in a damp location is unavoidable, use a residual current device (RCD) protected supply.** Use of an RCD reduces the risk of electric shock.

#### 3) Personal safety

- a) **Stay alert, watch what you are doing and use common sense when operating a power tool. Do not use a power tool while you are tired or under the influence of drugs, alcohol or medication.** A moment of inattention while operating power tools may result in serious personal injury.
- b) **Use personal protective equipment. Always wear eye protection.** Protective equipment such as dust mask, non-skid safety shoes, hard hat, or hearing protection used for appropriate conditions will reduce personal injuries.
- c) **Prevent unintentional starting. Ensure the switch is in the off-position before connecting to power source and/or battery pack, picking up or carrying the tool.** Carrying power tools with your finger on the switch or energising power tools that have the switch on invites accidents.
- d) **Remove any adjusting key or wrench before turning the power tool on.** A wrench or a key left attached to a rotating part of the power tool may result in personal injury.
- e) **Do not overreach. Keep proper footing and balance at all times.** This enables better control of the power tool in unexpected situations.
- f) **Dress properly. Do not wear loose clothing or jewellery. Keep your hair and clothing away from moving parts.** Loose clothes, jewellery or long hair can be caught in moving parts.
- g) **If devices are provided for the connection of dust extraction and collection facilities, ensure these are connected and properly used.** Use of dust collection can reduce dust-related hazards.
- h) **Do not let familiarity gained from frequent use of tools allow you to become complacent and ignore tool safety principles.** A careless action can cause severe injury within a fraction of a second.

#### 4) Power tool use and care

- a) **Do not force the power tool. Use the correct power tool for your application.** The correct power tool will do the job better and safer at the rate for which it was designed.
- b) **Do not use the power tool if the switch does not turn it on and off.** Any power tool that cannot be controlled with the switch is dangerous and must be repaired.
- c) **Disconnect the plug from the power source and/or remove the battery pack, if detachable, from the power tool before making any adjustments, changing accessories, or storing power tools.** Such preventive safety measures reduce the risk of starting the power tool accidentally.
- d) **Store idle power tools out of the reach of children and do not allow persons unfamiliar with the power tool or these instructions to operate the power tool.** Power tools are dangerous in the hands of untrained users.
- e) **Maintain power tools and accessories. Check for misalignment or binding of moving parts, breakage of parts and any other condition that may affect the power tool's operation.**

If damaged, have the power tool repaired before use. Many accidents are caused by poorly maintained power tools.

- f) **Keep cutting tools sharp and clean.** Properly maintained cutting tools with sharp cutting edges are less likely to bind and are easier to control.
  - g) **Use the power tool, accessories and tool bits etc. in accordance with these instructions, taking into account the working conditions and the work to be performed.** Use of the power tool for operations different from those intended could result in a hazardous situation.
  - h) **Keep handles and grasping surfaces dry, clean and free from oil and grease.** Slippery handles and grasping surfaces do not allow for safe handling and control of the tool in unexpected situations.
- 5) **Battery tool use and care**
- a) **Recharge only with the charger specified by the manufacturer.** A charger that is suitable for one type of battery pack may create a risk of fire when used with another battery pack.
  - b) **Use power tools only with specifically designated battery packs.** Use of any other battery packs may create a risk of injury and fire.
  - c) **When battery pack is not in use, keep it away from other metal objects, like paper clips, coins, keys, nails, screws or other small metal objects, that can make a connection from one terminal to another.** Shorting the battery terminals together may cause burns or a fire.
  - d) **Under abusive conditions, liquid may be ejected from the battery; avoid contact. If contact accidentally occurs, flush with water. If liquid contacts eyes, additionally seek medical help.** Liquid ejected from the battery may cause irritation or burns.
  - e) **Do not use a battery pack or tool that is damaged or modified.** Damaged or modified batteries may exhibit unpredictable behaviour resulting in fire, explosion or risk of injury.
  - f) **Do not expose a battery pack or tool to fire or excessive temperature.** Exposure to fire or temperature above 130 °C may cause explosion.
  - g) **Follow all charging instructions and do not charge the battery pack or tool outside the temperature range specified in the instructions.** Charging improperly or at temperatures outside the specified range may damage the battery and increase the risk of fire.
- 6) **Service**
- a) **Have your power tool serviced by a qualified repair person using only identical replacement parts.** This will ensure that the safety of the power tool is maintained.
  - b) **Never service damaged battery packs.** Service of battery packs should only be performed by the manufacturer or authorized service providers.

## SAW SAFETY WARNINGS

- a) **Do not use the machine in bad weather conditions, especially when there is a risk of lightning.** This decreases the risk of being struck by lightning.
- b) **Thoroughly inspect the area for wildlife where the machine is to be used.** Wildlife may be injured by the machine during operation.
- c) **Thoroughly inspect the area where the machine is to be used and remove all stones, sticks, wires, bones, and other foreign objects.** Thrown objects can cause personal injury.
- d) **Before using the machine, always visually inspect to see that the cutter or blade and the cutter or blade assembly are not damaged.** Damaged parts increase the risk of injury.
- e) **Follow instructions for changing accessories.** Improperly tightened blade securing nuts or bolts may either damage the blade or result in it becoming detached.
- f) **The rated rotational speed of the blade must be at least equal to the maximum rotational speed marked on the machine.** Blades running faster than their rated rotational speed can break and fly apart.
- g) **Wear eye, ear, head and hand protection.** Adequate protective equipment will reduce personal injury by flying debris or accidental contact with the cutting line or blade.
- h) **While operating the machine, always wear safety footwear. Do not operate the machine when barefoot or wearing open sandals.** This reduces the chance of injury to the feet from contact with a moving cutter, line or blade.
- i) **While operating the machine, always wear long trousers.** Exposed skin increases the likelihood of injury from thrown objects.
- j) **Keep bystanders away while operating the machine.** Thrown debris can result in serious personal injury.
- k) **Always use two hands when operating the machine.** Holding the machine with both hands will avoid loss of control.
- l) **Hold the machine by the insulated gripping surfaces only, because the cutting line or blade may contact hidden wiring.** Cutting line or blades contacting a "live" wire may make exposed metal parts of the machine "live" and could give the operator an electric shock.
- m) **Always keep proper footing and operate the machine only when standing on the ground.** Slippery or unstable surfaces may cause a loss of balance or control of the machine.
- n) **Do not operate the machine on excessively steep slopes.** This reduces the risk of loss of control, slipping and falling which may result in personal injury.
- o) **When working on slopes, always be sure of your footing, always work across the face of slopes, never up or down and exercise extreme caution when changing direction.** This reduces the risk of loss of control, slipping

## BRUSH CUTTER AND BRUSH

- and falling which may result in personal injury.
- p) **Keep all parts of the body away from the cutter, line or blade when the machine is operating. Before you start the machine, make sure the cutter, line or blade is not contacting anything.** A moment of inattention while operating the machine may result in injury to yourself or others.
  - q) **Do not operate the machine above waist height.** This helps prevent unintended cutter or blade contact and enables better control of the machine in unexpected situations.
  - r) **When cutting brush or saplings that are under tension, be alert for spring back.** When the tension in the wood fibres is released, the brush or sapling may strike the operator and/or throw the machine out of control.
  - s) **Use extreme caution when cutting brush and saplings.** The slender material may catch the blade and be whipped toward you or pull you off balance.
  - t) **Maintain control of the machine and do not touch cutters, lines or blades and other hazardous moving parts while they are still in motion.** This reduces the risk of injury from moving parts.
  - u) **Carry the machine with the machine switched off and away from your body.** Proper handling of the machine will reduce the likelihood of accidental contact with a moving cutter, line or blade.
  - v) **When transporting or storing the machine, always fit the cover on metal blades.** Proper handling of the machine will reduce the likelihood of accidental contact with the blade.
  - w) **Only use replacement cutters, lines, cutting heads and blades specified by the manufacturer.** Incorrect replacement parts may increase the risk of breakage and injury.
  - x) **When clearing jammed material or servicing the machine, make sure the switch is off and the battery pack is removed.** Unexpected starting of the machine while clearing jammed material or servicing may result in serious personal injury.

## BLADE THRUST CAUSES AND RELATED WARNINGS

Blade thrust is a sudden sideways, forward or backward motion of the machine, which may occur when the blade jams or catches on an object such as a sapling or a tree stump. It can be violent enough to cause the machine and/or operator to be propelled in any direction, and possibly lose control of the machine.

Blade thrust and its related hazards can be avoided by taking proper precautions as given below.

- a) **Maintain a firm grip with both hands on the machine and position your arms to resist blade thrust. Position your body to the left side of the machine.** *Blade thrust can increase the risk of*

*injury due to the machine moving unexpectedly. Blade thrust can be controlled by the operator if proper precautions are taken.*

- b) **If the blade binds, or when interrupting a cut for any reason, switch the machine off and hold the machine motionless in the material until the blade comes to a complete stop. While the blade is binding, never attempt to remove the machine from the material or pull the machine backward while the blade is in motion, otherwise blade thrust may occur.** *Investigate and take corrective actions to eliminate the cause of blade binding.*
- c) **Do not use blunt or damaged blades.** *Blunt or damaged blades increase the risk of jamming or catching on an object, resulting in blade thrust.*
- d) **Always maintain good visibility of the material being cut.** *Blade thrust is more likely to occur in areas where it is difficult to see the material being cut.*
- e) **If you are approached by another person while operating the machine, switch the machine off.** *There is an increased risk of injury to other persons being struck by the moving blade in the event of blade thrust.*

## SAFETY WARNINGS FOR BATTERY PACK

- a) **Do not dismantle, open or shred cells or battery pack.**
- b) **Do not short-circuit a battery pack. Do not store battery packs haphazardly in a box or drawer where they may short-circuit each other or be short-circuited by conductive materials.** When battery pack is not in use, keep it away from other metal objects, like paper clips, coins, keys, nails, screws or other small metal objects, that can make a connection from one terminal to another. Shorting the battery terminals together may cause burns or a fire.
- c) **Do not expose battery pack to heat or fire. Avoid storage in direct sunlight.**
- d) **Do not subject battery pack to mechanical shock.**
- e) **In the event of battery leaking, do not allow the liquid to come into contact with the skin or eyes. If contact has been made, wash the affected area with copious amounts of water and seek medical advice.**
- f) **Keep battery pack clean and dry.**
- g) **Wipe the battery pack terminals with a clean dry cloth if they become dirty.**
- h) **Battery pack needs to be charged before use. Always refer to this instruction and use the correct charging procedure.**
- i) **Do not maintain battery pack on charge when not in use.**
- j) **After extended periods of storage, it may be necessary to charge and discharge the battery pack several times to obtain**


maximum performance.

- k) Recharge only with the charger specified by Kress. Do not use any charger other than that specifically provided for use with the equipment.
- l) Do not use any battery pack which is not designed for use with the equipment.
- m) Keep battery pack out of the reach of children.
- n) Retain the original product literature for future reference.
- o) Remove the battery from the equipment when not in use.
- p) Dispose of properly.
- q) Do not mix cells of different manufacture, capacity, size or type within a device.
- r) Keep the battery away from microwaves and high pressure.

## USER MANUAL REQUIREMENTS FOR WIRELESS PRODUCT




- a) Operation of this device is subject to the following two conditions:
  - (1) This device may not cause harmful interference, and
  - (2) this device must accept any interference received, including interference that may cause undesired operation.
- b) Caution: Changes or modifications to this unit not expressly approved by the party responsible for compliance could void the user's authority to operate the equipment.
- c) NOTE: This equipment generates, uses and can radiate radio frequency energy and, if not installed and used in accordance with the instructions, may cause harmful interference to radio communications. However, there is no guarantee that interference will not occur in a particular installation. If this equipment does cause harmful interference to radio or television reception, which can be determined by turning the equipment off and on, the user is encouraged to try to correct the interference by one or more of the following measures:
  - Reorient or relocate the receiving antenna.
  - Increase the separation between the equipment and receiver.
  - Connect the equipment into an outlet on a circuit different from that to which the receiver is connected.
  - Consult the dealer or an experienced radio/TV technician for help.

## SYMBOLS


	To reduce the risk of injury, user must read instruction manual
---	---

	Wear eye, ear and head protection
	Wear slip-resistant footwear
	WARNING – The distance between the machine and bystanders shall be at least 15 m (50 ft)
	WARNING – Beware of thrown objects.
	WARNING – Beware of blade thrust
	Do not use metal blades
	WARNING – Disconnect battery before maintenance
	Wear hand protection
	Waste electrical products must not be disposed of with household waste. Please recycle where facilities exist. Check with your local authorities or retailer for recycling advice.
 Li-Ion 	Li-Ion battery This product has been marked with a symbol relating to 'separate collection' for all battery packs and battery pack. It will then be recycled or dismantled in order to reduce the impact on the environment. Battery packs can be hazardous for the environment and for human health since they contain hazardous substances.
	Do not burn



	<p>Batteries may enter water cycle if disposed improperly, which can be hazardous for ecosystem. Do not dispose of waste batteries as unsorted municipal waste.</p>
	<p>Make sure the battery is removed prior to changing accessories.</p>
	<p>Trimming</p>

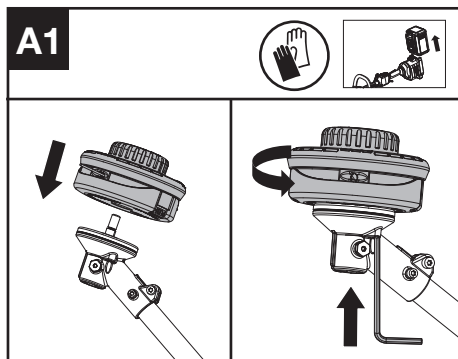
## ASSEMBLY & OPERATION

 **NOTE:** Before using the tool, read the instruction book carefully.

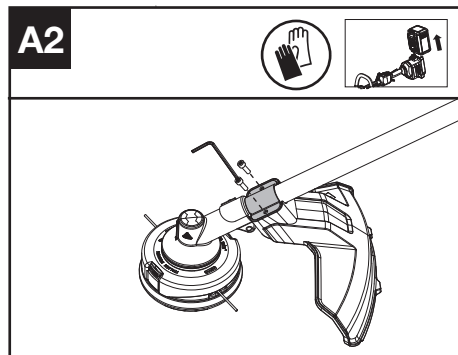
### BEFORE OPERATION:

#### Assembling the cutting head (See Fig. A1)

Fit the cutting head. Insert the hex key into the hole and rotate the trimmer head counterclockwise until it stops in a locked position.

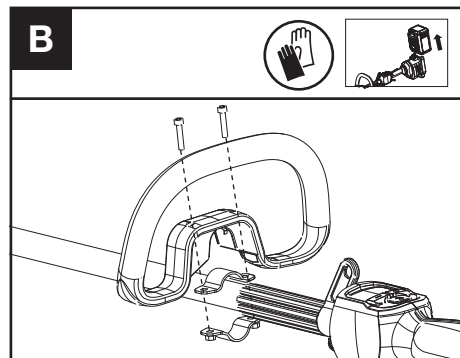


#### Assembling the debris guard (See Fig. A2)




1. Install the correct Debris Guard for the trimmer head.
2. Secure the guard in place using the screw and torx key.

#### Assembling the Front Handle (See Fig. B)

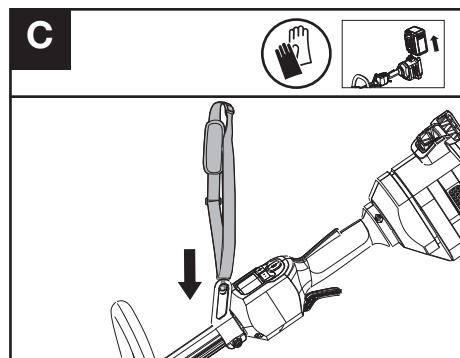


1. Attach the Front Handle and lower clamp on the shaft.
2. Put the bolt through the holes.
3. Tighten the Front Handle.

 **WARNING:** Adjust the Front Handle as desired so as to make sure your front arm is straight when using the trimmer.

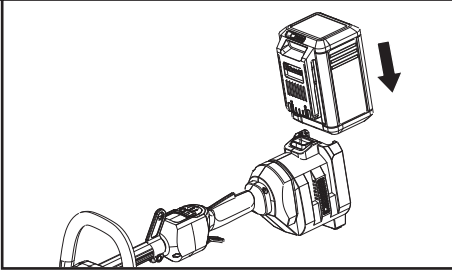
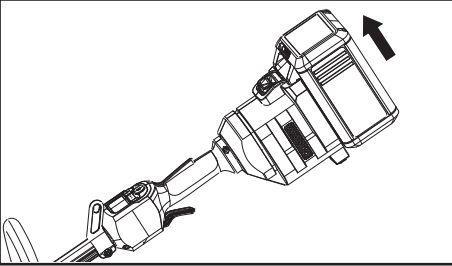
#### Fitting the shoulder strap (Sold Separately) (See Fig. C)

1. Adjust the length of shoulder strap to make sure that the carabiner is about a hand's width below the top of your hip.
2. Connect the carabiner of the accessory shoulder strap to the mounting point on the shaft of the trimmer.



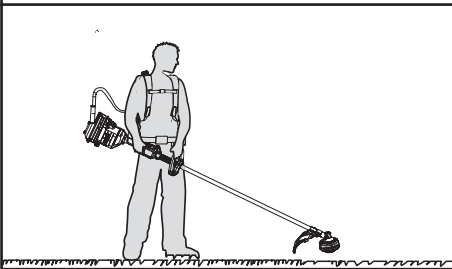
#### Installing & removing the battery pack (See Fig. D1, D2)

1. Slide the battery pack into the battery compartment until you hear a click.
2. Press the battery pack release to release battery pack from your tool.

**D1****D2**

### Connecting with the backpack harness (See Fig. D3)

The trimmer can be connected with an accessory backpack harness (not supplied). Refer to the backpack harness manual for more information.

**D3**

### TESTING THE TRIMMER AND BATTERY (See Fig. E)

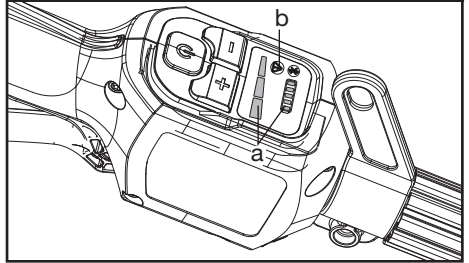
#### Checking the controls

#### Operator Presence Switch and Throttle Trigger

1. Remove the battery.
2. Try to press the Throttle Trigger. If the Throttle Trigger can be pressed without depressing

the Operator Presence Switch, the Operator Presence Switch is defective. Stop using the trimmer and contact the service agent.

4. Hold and press the Operator Presence Switch first, then press the Throttle Trigger.
5. Release the Throttle Trigger and the Operator Presence Switch. If the Throttle Trigger or the Operator Presence Switch is stuck and cannot spring back to its original position. Stop using the trimmer and contact the service agent.

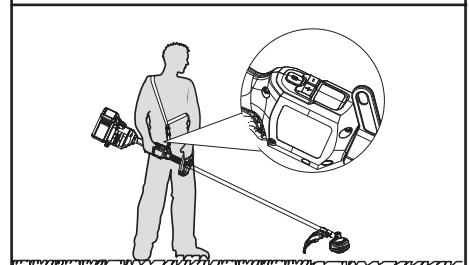
**E**

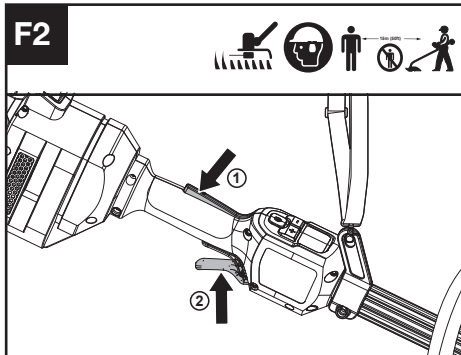
#### Checking the display

1. Insert the battery.
2. Hold and press the On / Off Switch.  
The product is switched on when the LED (a) is lit.  
The product is switched off when the LED (a) is out.
3. Press the Operator Presence Switch first, then press the Throttle Trigger to start the machine. The Trimmer Head rotates.
4. If the warning indicator (b) lights up or is flashing, refer to **Troubleshooting** for solutions.
5. Release the Throttle Trigger. The Trimmer Head stops rotating after a short delay. If the Trimmer Head continues to rotate, remove the battery and contact the service agent.

#### OPERATION:

#### Starting the trimmer (See Fig. F1, F2)

**F1**



1. Hold the trimmer firmly with your right hand on the control handle – wrap your thumb around the handle. Hold the trimmer with your left hand on the auxiliary handle– wrap your thumb around the handle.
2. Hold and press the On / Off Switch until the green LED is lit. The green LED shows the power level.
3. Press the Operator Presence Switch first, then press the Throttle Trigger to start the machine. The green LED for start/stop goes off after 5 seconds if not being used as a safety procedure. When not cutting, the unit will remain on if the operator presence switch is held down without operating the machine. If the green LED goes out, the product will need to be restarted.

**NOTE:** The Operator Presence Switch is designed to prevent accidental operation. When you press the Operator Presence Switch it releases the Throttle Trigger.

### Selecting the speed

3 Power Levels can be selected depending on the application. Use the +/- to control the speed, which is as indicated by the LEDs. The higher the power level, the faster the tool runs.

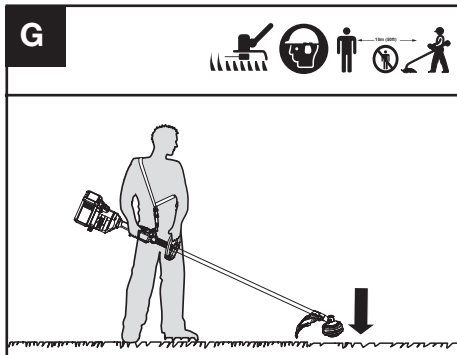
### Stopping the trimmer

Release the Throttle Trigger to stop the machine.

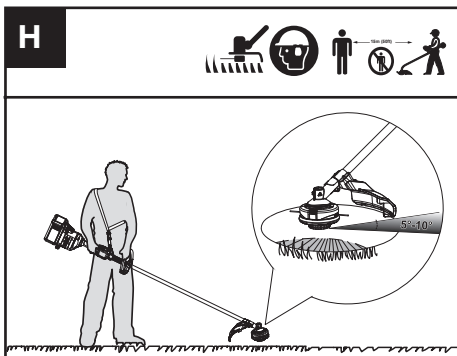
**WARNING!** The cutting head continues to rotate after the trimmer has been switched off; wait until it has completely stopped then lay down the tool.

### Bump-line feed system (See Fig. G)

The trimmer is equipped with a bump-line system. Just bump the trimmer head while the machine is running, new line will feed out.



### Cutting Tips (See Fig. H)



1. Swing the trimmer from side to side across the area to be cut.
2. Use the tip of the cutting line to do trimming; do not force the trimmer head into uncut grass.
3. Wire and picket fences may cause extra cutting line wear and breakage. Stone and brick walls, curbs, and wood may wear cutting line rapidly.
4. Avoid trees and shrubs. Tree bark, wood moldings, siding, and fence posts can easily be damaged by the cutting line.
5. The selected power level affects the battery's runtime. The lower the power level, the longer the runtime. It is recommended to use the lowest power level unless in worse cutting condition.

### For Battery tools

The recommended ambient temperature range for discharging is -20°C~45°C (-4°F~113°F). The recommended ambient temperature range for the charging system during charging is -5°C~45°C (23°F~113°F).

## TRANSPORTATION

### Transporting the trimmer

1. Switch off the trimmer and remove the battery.
2. When transporting your trimmer by hand, hold

the middle of the shaft with the cutting head to the rear and make sure that your machine is parallel to the ground.

- When transporting your trimmer in a vehicle, secure and position it to prevent movement or damage.

### Transporting the battery

- Ensure the battery is in a safe condition.
- Use non-conductive packaging when transporting the battery.
- The contained Li-Ion batteries are subject to the dangerous goods legislation requirements. Transport batteries only when the battery housing is undamaged. Pack up the batteries in such a manner that cannot move around in the packaging.

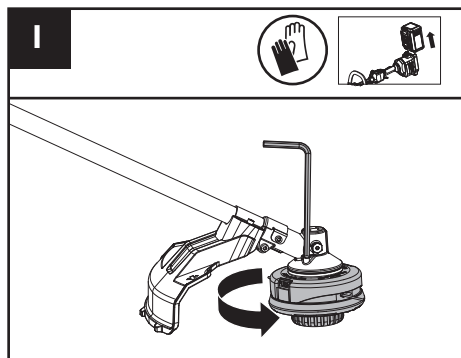
## MAINTENANCE

**WARNING!** Always remove battery before conducting any maintenance on the trimmer.

### Replacing the trimmer head (See Fig. I)

**WARNING!** Use of wire or metal-reinforced line is not authorized and could be extremely dangerous. Use only the cutting line recommended in this manual, in combination with the recommended debris guard.

**WARNING!** A damaged or loose cutting attachment head may vibrate, crack, break or come off the trimmer, which may result in serious or fatal injury or property damage. Make sure the trimmer head are properly and securely tightened and in good condition before starting work.

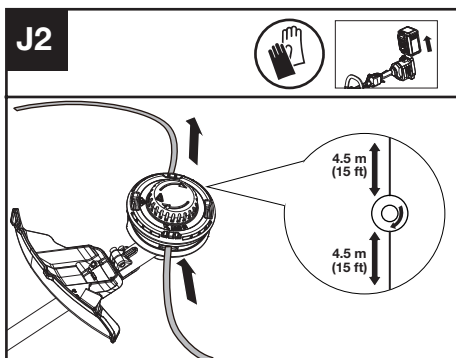
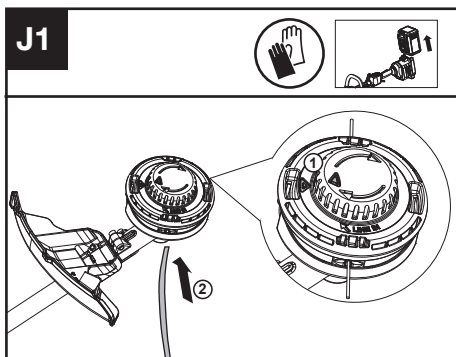


- Insert the hex key into the hole and rotate the trimmer head until it stops in a locked position.
- Then, rotate clockwise to remove it, and counterclockwise to assemble it.

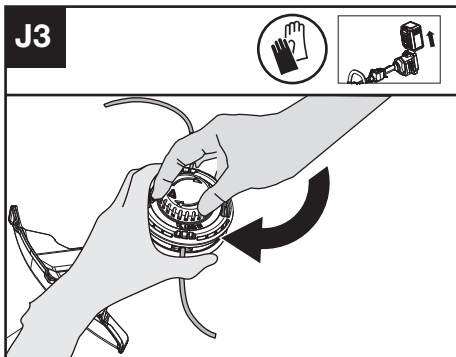
### Winding the line (See Fig. J1, J2, J3)

- Rotate the spool cap to make two triangle icons

aligned. (See Fig. J1)



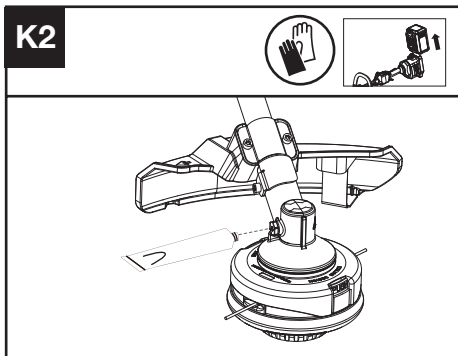
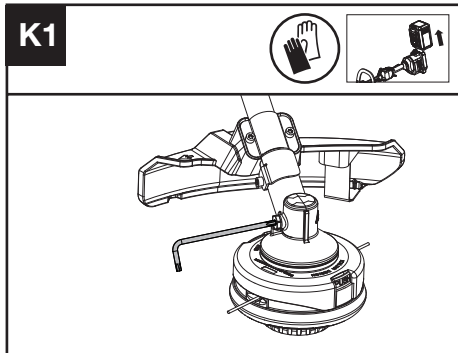
- Insert the replacement line through the eyelet (Line In) and feed it out through the other eyelet. Ensure both ends of the line are even on each end of the trimmer head (recommended 4.5 m (15 ft)) and cut the line. (See Fig. J2)
- Turn the dial clockwise to wind the line around the spool until about 16 cm (6") remains on either side. (See Fig. J3)



### Lubricating the gearbox (See Fig. K1, K2)

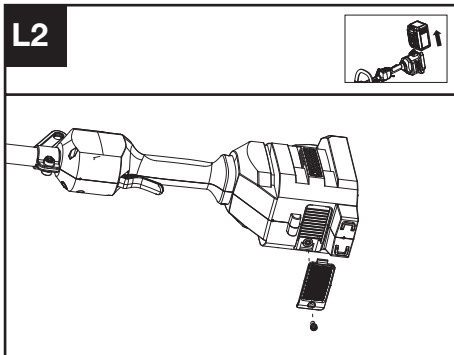
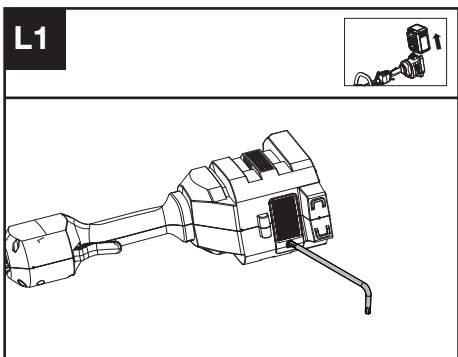
- Remove the screw on the gearbox.
- If there is no bevel gear grease on the end of the screw, squeeze 5 g of the gear grease (SHELL

- Gadus S2 V220 1) into the gear housing.
- Refit and tighten the screw firmly.
  - Install the battery and run the trimmer for 1 minute to ensure the gear is evenly lubricated.



### Cleaning the air filter (See Fig. L1, L2)

- Clean the area around the air filter. Use a damp cloth or a soft brush.
- Unscrew and remove the air filter.
- Wash the air filter with running water to remove the dirt.
- Allow the air filter to dry in the air. And then install it in the housing by tightening the screw.



### Maintenance intervals

It is recommended to lubricate the gearbox and clean the air filter every 50 hours of operation based on actual usage.

## CLEANING

- Switch off the trimmer and remove the battery.
- Do not use aggressive detergents or solvents. Clean the machine after use with a damp cloth dipped in mild detergent.
- Keep battery connection free of dirt and debris, and clean with a soft and dry brush or cloth.
- Do not spray water onto the motor and electrical components.
- Do not use pressure washer to clean your machine.

## STORAGE

- Remove the battery pack from the trimmer before storage.
- Once got wet in the rain during operation, the machine and the battery should be dried before storing or charging. Remove the battery and reinsert it if the machine fails to turn on.
- Store the trimmer and the battery in a dry and secure place that is inaccessible to children and other unauthorized people. Remove the cutting attachment if it will not be used for a long time.
- Store the battery only within a temperature range between 5 °C (41 °F) and 25 °C (77 °F). As an example, do not leave the battery in the car in summer time.

# TROUBLESHOOTING

The following table gives problems and actions that you can perform if your machine does not operate correctly.



**WARNING: Switch the machine off and remove the battery prior to any troubleshooting.**

## TRIMMER


Problems	Possible Causes	Corrective Action
Battery indicator LED flashing	Low battery voltage.	Charge the battery.
Red error LED flashing	Overload.	The cutting attachment is jammed Deactivate the product. Remove the battery. Clean the cutting attachment from unwanted materials.
	Temperature issue.	Let the product cool down.
	The Throttle Trigger and the start/stop button are pressed at the same time.	Release Throttle Trigger. Perform the starting sequence again.
	Other problems	Contact Service Agent
The product does not start	Deris in the battery connectors.	Clean the battery connectors with compressed air or a soft brush.
	Other problems	Contact Service Agent.
EN Trimmer runs intermittently	The battery is not fully inserted to the machine.	Insert the battery fully.
	Potential electrical issue.	Contact Service Agent.
Excessive vibrations/ noise.	Line balance issue.	Rewind the line.
	Cutting attachment issue. Machine defective.	Replace cutting attachment. Contact Service Agent.

## BATTERY

Problems	Possible Causes	Corrective Action
Error LED lit	The battery is discharged	Charge the battery. If battery fails to charge, contact your Service Agent.
	Temperature issue.	Use the battery in surroundings where temperatures are between -5°C and 45°C (23°F to 113°F) for charge; -20°C to 45°C (-4°F to 113°F) for discharge.
	Others	Contact your Service Agent.

## TECHNICAL DATA

Type Designation: **KC100 KC100.X** (1-designation of machinery, representative of Cordless Grass Trimmer)

	<b>KC100 KC100.X **</b>
Voltage	60 V  MAX ***
Cutting speed	4200 / 5100 / 5900 rpm
Cutting diameter	42 cm (16.5")
Line diameter	2.4 / 2.7 mm (0.095" / 0.105") nylon line
Degree of protection	IPX4
Machine weight (Bare tool)	4.5 kg (9.9 lbs)

\*\* X=1-999,A-Z,M1-M9 they are only used for different customers, there are no safety relevant changes between these models.

\*\*\* Voltage measured without workload. Initial battery voltage reaches maximum of 60 volts. Nominal voltage is 54 volts.

## SUGGESTED BATTERIES AND CHARGERS

Battery	Capacity	Charger	Amperage
KAC804	4.0 Ah	KAC840	30 A
KAC810 (With Backpack Harness)	11.0 Ah		

We recommend that you purchase your accessories from the same Dealer that sold you the tool. Refer to the accessory packaging for further details. Your Dealer can assist you and offer advice.

## TECHNICAL DATA FOR BATTERY PACK (OPTIONAL)

Frequency bands for Bluetooth	2400-2483.5 MHz
Maximum Output Power for Bluetooth	8 dBm

## COMBINATIONS OF CUTTING ATTACHMENTS, DEFLECTORS, AND CARRYING SYSTEMS

Cutting attachment	Debris guard	Barrier bar	Carrying system
- 4" Trimmer head (Optional, not included) - 5" Trimmer head	- High-visibility deflector - Universal deflector with skirt	- Optional	- Shoulder strap - Backpack battery Harness
- Knife blade	- Universal deflector without skirt	- Required	

EN

## NOISE INFORMATION

A weighted sound pressure  $L_{pA} = 79.7$  dB(A)

$K_{pA}$  3 dB(A)

A weighted sound power  $L_{wA} = 94.94$  dB(A)

$K_{wA}$  0.59 dB(A)

**Wear ear protection.**



## VIBRATION INFORMATION

Typical weighted vibration  $a_n = 2,45$  m/s<sup>2</sup>

Uncertainty  $K = 3$  m/s<sup>2</sup>

**WARNING:** The vibration emission value during actual use of the power tool can differ from the declared value depending on the ways in which the tool is used dependant on the following examples and other variations on how the tool is used:  
How the tool is used and the materials being cut or drilled.

The tool being in good condition and well maintained  
The use the correct accessory for the tool and ensuring it is sharp and in good condition.

The tightness of the grip on the handles and if any anti vibration accessories are used.

And the tool is being used as intended by its design and these instructions.

**This tool may cause hand-arm vibration syndrome if its use is not adequately managed.**

**WARNING:** To be accurate, an estimation of exposure level in the actual conditions of use should also take account of all parts of the operating cycle such as the times when the tool is switched off and when it is running idle but not actually doing the job. This may significantly reduce the exposure level over the total working period.

Helping to minimise your vibration exposure risk.


ALWAYS use sharp chisels, drills and blades

Maintain this tool in accordance with these instructions and keep well lubricated (where appropriate)

If the tool is to be used regularly then invest in anti vibration accessories.

Plan your work schedule to spread any high vibration tool use across a number of days.

## ENVIRONMENTAL PROTECTION

 Waste electrical products must not be disposed of with household waste. Please recycle where facilities exist. Check with your local authorities or retailer for recycling advice.

## DECLARATION OF CONFORMITY

We,  
Positec Germany GmbH  
Postfach 32 02 16, 50796 Cologne, Germany

On behalf of Positec declare that the product  
Description **Cordless Grass Trimmer**  
Type **KC100 KC100.X (1-designation of machinery, representative of Cordless Grass Trimmer)**  
Function **cutting grass and similar soft vegetation and for trimming grass edges**

Complies with the following Directives:

**2006/42/EC**  
**2014/30/EU**  
**2011/65/EU&(EU)2015/863**  
**2000/14/EC amended by 2005/88/EC**

2000/14/EC amended by 2005/88/EC:

- Conformity Assessment Procedure as per **Annex VI**
- Measured Sound Power Level **94.94 dB (A)**
- Declared Guaranteed Sound Power Level **96 dB (A)**

The notified body involved

Name: **Intertek Deutschland GmbH (Notified body 0905)**

Address: **Stangenstraße 1, 70771 LEINFELDEN-ECHTERDINGEN**

Standards conform to

**EN 62841-1, FprEN IEC 62841-4-4:2020+FprAA:2021-02, EN 62233, EN ISO 3744, EN IEC 55014-1, EN IEC 55014-2**

The person authorized to compile the technical file,

Name **Marcel Filz**  
Address **Positec Germany GmbH**  
Postfach 32 02 16, 50796 Cologne, Germany



2022/12/5

Allen Ding

Deputy Chief Engineer, Testing & Certification  
Positec Technology (China) Co., Ltd  
18, Dongwang Road, Suzhou Industrial Park, Jiangsu 215123, P. R. China



# DECLARATION OF CONFORMITY

We,  
Positec (UK & Ireland) Ltd  
PO Box 6242, Newbury, RG14 9LT, UK

On behalf of Positec declare that the product  
Description **Cordless Grass Trimmer**  
Type **KC100 KC100.X (1-designation of machinery, representative of Cordless Grass Trimmer)**  
Function **cutting grass and similar soft vegetation and for trimming grass edges**

Complies with the following Directives:  
**Supply of Machinery (Safety) Regulations 2008**  
**Electromagnetic Compatibility Regulations 2016**  
**The Restriction of the Use of Certain Hazardous Substances in Electrical and Electronic Equipment Regulations**  
**Noise Emission in the Environment by Equipment for Use Outdoors Regulations**

- Conformity Assessment Procedure as per **SCHEDULE 9**
- Measured Sound Power Level **94.94 dB (A)**
- Declared Guaranteed Sound Power Level **96 dB (A)**

The notified body involved  
Name: **Intertek Deutschland GmbH (Notified body 0905)**  
Address: **Stangenstraße 1, 70771 LEINFELDEN-ECHTERDINGEN**

Standards conform to  
**BS EN 62841-1, FprBS EN IEC 62841-4-4:2020+FprAA:2021-02, BS EN 62233, BS EN ISO 3744, BS EN IEC 55014-1, BS EN IEC 55014-2**

The person authorized to compile the technical file,  
Name **Jim Kirkwood**  
Address **Positec (UK & Ireland) Ltd, PO Box 6242, Newbury, RG14 9LT, UK**



2022/12/5  
Allen Ding  
Deputy Chief Engineer, Testing & Certification  
Positec Technology (China) Co., Ltd  
18, Dongwang Road, Suzhou Industrial Park, Jiangsu 215123, P. R. China



# INHALTSVERZEICHNIS

Einführung.....	18
Komponenten.....	19
Produktsicherheit.....	20
Montage und Bedienung.....	25
Transport.....	28
Wartung .....	28
Reinigung.....	30
Aufbewahrung.....	30
Problembehandlung.....	30
Technische Daten.....	31
<b>D</b> Umweltschutz.....	32
Konformitätserklärung.....	33

## EINFÜHRUNG

Sehr geehrter Kunde,

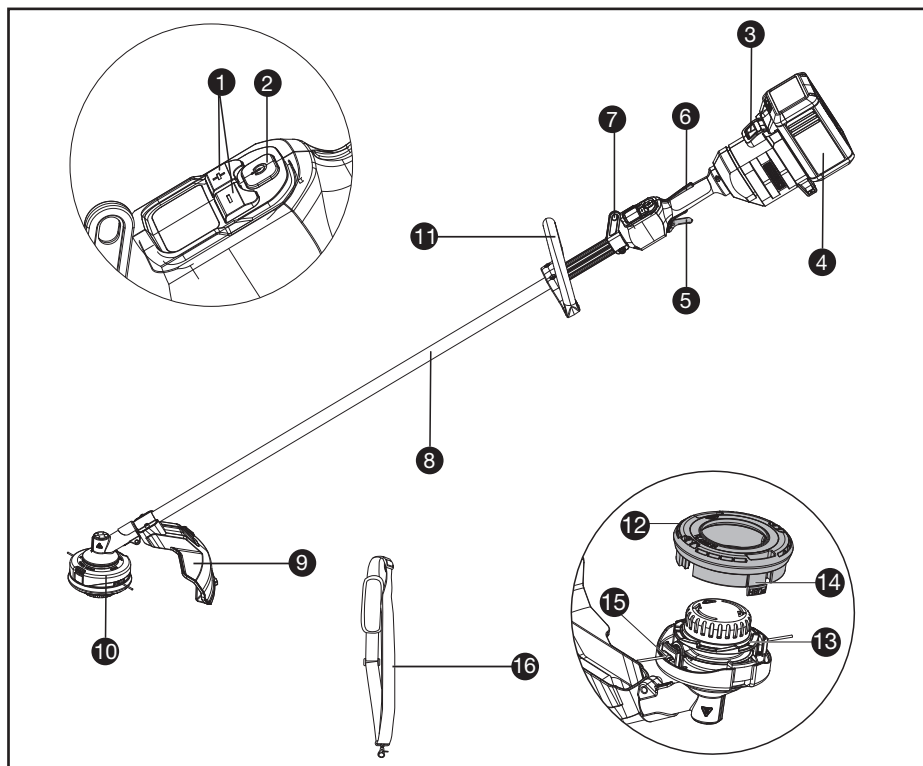
Vielen Dank, dass Sie dieses Kress Commercial-Produkt gekauft haben. Wir sind bestrebt, qualitativ hochwertige Produkte zu entwickeln, die Ihren Anforderungen im gewerblichen Landschaftsbau gerecht werden.

Die Marke Kress steht für erstklassigen Service. Wenn Sie im Laufe der Jahre Fragen oder Bedenken zu Ihrem Produkt haben, wenden Sie sich bitte an Ihren Händler oder an unser Kundendienstteam, um Hilfe zu erhalten.

Wir sind zuversichtlich, dass Sie in den kommenden Jahren die Arbeit mit Ihrem Kress-Produkt genießen werden.

## BESTIMMUNGSGEMÄSSER GEBRAUCH

Dieses Gerät ist für das Schneiden von Gras und hohem Unkraut vorgesehen, das mit einem Rasenmäher nicht erreicht werden kann. Dieses Gerät kann auch auf Flächen mit Hängen eingesetzt werden, die sich mit einem Rasenmäher nicht mähen lassen.



## KOMPONENTEN

- |     |                                  |
|-----|----------------------------------|
| 1.  | DREHZAHLREGELUNG                 |
| 2.  | EIN-/AUS-SCHALTER                |
| 3.  | AKKUVERRIEGELUNG *               |
| 4.  | AKKU *                           |
| 5.  | BETÄTIGUNG DES GASHEBELS         |
| 6.  | SICHERHEITSSCHALTER              |
| 7.  | SCHULTERGURTHALTERUNG            |
| 8.  | ANTRIEBSROHR                     |
| 9.  | SCHNEIDSCHUTZ                    |
| 10. | FADENKOPF                        |
| 11. | HANDGRIFF                        |
| 12. | SPULENABDECKUNG                  |
| 13. | FADENSPULE                       |
| 14. | ENTRIEGELUNG DER SPULENABDECKUNG |
| 15. | ÖSE FÜR DIE FADENFÜHRUNG         |
| 16. | SCHULTERGURT *                   |

\* Abgebildetes oder beschriebenes Zubehör gehört teilweise nicht zum Lieferumfang.

# ORIGINALBETRIEBSANLEITUNG

## EINFÜHRUNG

### PRODUKTSICHERHEIT

#### ALLGEMEINE

#### SICHERHEITSHINWEISE

#### FÜR ELEKTROWERKZEUGE



**WARNUNG!** Machen Sie sich mit allen Sicherheitswarnungen, Anweisungen, Abbildungen und Spezifikationen vertraut, die mit diesem Elektrowerkzeug geliefert werden.

Die Nichtbeachtung der unten aufgeführten Anweisungen kann in elektrischen Schlägen, Feuer und/oder schweren Verletzungen resultieren.

**Bewahren Sie alle Sicherheitshinweise und Anweisungen für die Zukunft auf.**

Der in den Sicherheitshinweisen verwendete Begriff „Elektrowerkzeug“ bezieht sich auf akkubetriebene Elektrowerkzeuge (ohne Netzkabel).

#### 1) Arbeitsplatzsicherheit

- a) Halten Sie Ihren Arbeitsbereich sauber und gut beleuchtet. Unordnung oder unbeleuchtete Arbeitsbereiche können zu Unfällen führen.
- b) Arbeiten Sie mit dem Elektrowerkzeug nicht in explosionsgefährdeter Umgebung, in der sich brennbare Flüssigkeiten, Gase oder Stäube befinden. Elektrowerkzeuge erzeugen Funken, die den Staub oder die Dämpfe entzünden können.
- c) Halten Sie Kinder und andere Personen während der Benutzung des Elektrowerkzeugs fern. Bei Ablenkung können Sie die Kontrolle über das Gerät verlieren.

#### 2) Elektrische Sicherheit

- a) Der Anschlussstecker des Elektrowerkzeuges muss in die Steckdose passen. Der Stecker darf in keiner Weise verändert werden. Verwenden Sie keine Adapterstecker gemeinsam mit schutzgeerdeten Elektrowerkzeugen. Unveränderte Stecker und passende Steckdosen verringern das Risiko eines elektrischen Schlages.
- b) Vermeiden Sie Körperkontakt mit geerdeten Oberflächen wie von Rohren, Heizungen, Herden und Kühlschränken. Es besteht ein erhöhtes Risiko durch elektrischen Schlag, wenn Ihr Körper geerdet ist.
- c) Betreiben Sie das Gerät nicht bei Regen oder bei Nässe. Dies kann das Risiko eines Stromschlags erhöhen. Wenn das Gerät beim Betrieb im Regen nass geworden ist, sollten Sie es und den Akku vor dem Lagern oder Laden trocknen. Nehmen Sie den Akku heraus und setzen Sie ihn wieder ein, wenn sich das Gerät nicht einschalten lässt. Halten Sie den Akkuanschluss frei von Schmutz und

Ablagerungen und reinigen Sie ihn mit einer weichen und trockenen Bürste oder einem Tuch.

- d) Zweckfremden Sie das Kabel nicht, um das Elektrowerkzeug zu tragen, aufzuhängen oder um den Stecker aus der Steckdose zu ziehen. Halten Sie das Kabel fern von Hitze, Öl, scharfen Kanten oder sich bewegendem Geräteteilen. Beschädigte oder verwickelte Kabel erhöhen das Risiko eines elektrischen Schlages.
- e) Wenn Sie mit einem Elektrowerkzeug im Freien arbeiten, verwenden Sie nur Verlängerungskabel, die auch für den Außenbereich geeignet sind. Die Anwendung eines für den Außenbereich geeigneten Verlängerungskabels verringert das Risiko eines elektrischen Schlages.
- f) Wenn der Betrieb des Elektrowerkzeuges in feuchter Umgebung nicht vermeidbar ist, verwenden Sie einen Fehlerstromschutzschalter. Der Einsatz eines Fehlerstromschutzschalters vermindert das Risiko eines elektrischen Schlages.

#### 3) Sicherheit von Personen

- a) Seien Sie aufmerksam, achten Sie darauf, was Sie tun, und gehen Sie mit Vernunft an die Arbeit mit einem Elektrowerkzeug. Benutzen Sie kein Elektrowerkzeug, wenn Sie müde sind oder unter dem Einfluss von Drogen, Alkohol oder Medikamenten stehen. Ein Moment der Unachtsamkeit beim Gebrauch des Elektrowerkzeuges kann zu ernsthaften Verletzungen führen.
- b) Tragen Sie persönliche Schutzausrüstung und immer eine Schutzbrille. Das Tragen persönlicher Schutzausrüstung, wie Staubmaske, rutschfeste Sicherheitsschuhe, Schutzhelm oder Gehörschutz, je nach Art und Einsatz des Elektrowerkzeuges, verringert das Risiko von Verletzungen.
- c) Vermeiden Sie eine unbeabsichtigte Inbetriebnahme. Vergewissern Sie sich, dass das Elektrowerkzeug ausgeschaltet ist, bevor Sie es an den Akku anschließen, es aufnehmen oder tragen. Wenn Sie beim Tragen des Elektrowerkzeuges den Finger am Schalter haben oder das Gerät eingeschaltet an die Stromversorgung anschließen, kann dies zu Unfällen führen.
- d) Entfernen Sie Einstellwerkzeuge oder Schraubenschlüssel, bevor Sie das Elektrowerkzeug einschalten. Ein Werkzeug oder Schlüssel, der sich in einem drehenden Geräteteil befindet, kann zu Verletzungen führen.
- e) Vermeiden Sie eine abnormale Körperhaltung. Sorgen Sie für einen sicheren Stand und halten Sie jederzeit das Gleichgewicht. Dadurch können Sie das Elektrowerkzeug in unerwarteten Situationen besser kontrollieren.
- f) Tragen Sie geeignete Kleidung. Tragen Sie keine weite Kleidung oder Schmuck. Halten Sie Haare und Kleidung fern von

sich bewegenden Teilen. Lockere Kleidung, Schmuck oder lange Haare können von sich bewegenden Teilen erfasst werden.

- g) **Wenn Staubabsaug- und -auffangeinrichtungen montiert werden können, vergewissern Sie sich, dass diese angeschlossen sind und richtig verwendet werden.** Verwendung einer Staubabsaugung kann Gefährdungen durch Staub verringern.
- h) **Vermeiden Sie, durch die häufige Nutzung des Werkzeugs in einen Trott zu verfallen und Prinzipien für die Werkzeugsicherheit zu ignorieren.** Eine unachtsame Aktion kann im Bruchteil einer Sekunde zu schweren Verletzungen führen.
- 4) **Verwendung und Behandlung des Elektrowerkzeuges**
- a) **Überlasten Sie das Gerät nicht. Verwenden Sie für Ihre Arbeit das dafür bestimmte Elektrowerkzeug.** Mit dem passenden Elektrowerkzeug arbeiten Sie besser und sicherer im angegebenen Leistungsbereich.
- b) **Benutzen Sie kein Elektrowerkzeug, dessen Schalter defekt ist.** Ein Elektrowerkzeug, das sich nicht mehr ein- oder ausschalten lässt, ist gefährlich und muss repariert werden.
- c) **Entfernen Sie den Akku, bevor Sie Geräteeinstellungen vornehmen, Zubehörteile wechseln oder das Gerät weglegen.** Diese Vorsichtsmaßnahme verhindert den unbeabsichtigten Start des Elektrowerkzeuges.
- d) **Bewahren Sie unbenutzte Elektrowerkzeuge außerhalb der Reichweite von Kindern auf. Lassen Sie Personen das Gerät nicht benutzen, die mit diesem nicht vertraut sind oder diese Anweisungen nicht gelesen haben.** Elektrowerkzeuge sind gefährlich, wenn Sie von unerfahrenen Personen benutzt werden.
- e) **Pflegen Sie Elektrowerkzeuge mit Sorgfalt.** Kontrollieren Sie, ob bewegliche Teile einwandfrei funktionieren und nicht klemmen, ob Teile gebrochen oder so beschädigt sind, dass die Funktion des Elektrowerkzeuges beeinträchtigt ist. Lassen Sie beschädigte Teile vor dem Einsatz des Gerätes reparieren. Viele Unfälle haben ihre Ursache in schlecht gewarteten Elektrowerkzeugen.
- f) **Halten Sie Schneidwerkzeuge scharf und sauber.** Sorgfältig gepflegte Schneidwerkzeuge mit scharfen Schneidkanten verklemmen sich weniger und sind leichter zu führen.
- g) **Verwenden Sie Elektrowerkzeug, Zubehör, Einsatzwerkzeuge usw. entsprechend diesen Anweisungen.** Berücksichtigen Sie dabei die Arbeitsbedingungen und die auszuführende Tätigkeit. Der Gebrauch von Elektrowerkzeugen für andere als die vorgesehenen Anwendungen kann zu gefährlichen Situationen führen.
- h) **Halten Sie die Griffe trocken, sauber und frei von Öl und Fett.** Rutschige Griffe und Oberflächen unterbinden die sichere Bedienbarkeit und Kontrolle über das Werkzeug

in unerwarteten Situationen.

- 5) **Verwendung und Behandlung des Akkuwerkzeuges**
- a) **Laden Sie die Akkus nur in Ladegeräten auf, die vom Hersteller empfohlen werden.** Für ein Ladegerät, das für eine bestimmte Art von Akku geeignet ist, besteht Brandgefahr, wenn es mit anderen Akkus verwendet wird.
- b) **Verwenden Sie nur die dafür vorgesehenen Akkus in den Elektrowerkzeugen.** Der Gebrauch von anderen Akkus kann zu Verletzungen und Brandgefahr führen.
- c) **Halten Sie den nicht benutzten Akku fern von Büroklammern, Münzen, Schlüsseln, Nägeln, Schrauben oder anderen kleinen Metallgegenständen, die eine Überbrückung der Kontakte verursachen könnten.** Ein Kurzschluss zwischen den Akkukontakten kann Verbrennungen oder Feuer zur Folge haben.
- d) **Bei falscher Anwendung kann Flüssigkeit aus dem Akku austreten. Vermeiden Sie den Kontakt damit. Bei zufälligem Kontakt mit Wasser abspülen.** Wenn die Flüssigkeit in die Augen kommt, nehmen Sie zusätzlich ärztliche Hilfe in Anspruch. Austretende Akkufflüssigkeit kann zu Hautreizungen oder Verbrennungen führen.
- e) **Verwenden Sie kein Akkupack oder Werkzeug, das beschädigt ist.** Beschädigte oder modifizierte Akkus können unvorhersehbare Reaktionen auslösen und zu Bränden, Explosionen oder Verletzungen führen.
- f) **Setzen Sie das Akkupack oder Werkzeug keinem Feuer oder übermäßig hohen Temperaturen aus.** Die Belastung durch Feuer oder Temperaturen über 130 °C kann zur Explosion führen.
- g) **Befolgen Sie alle Ladeanweisungen, und laden Sie das Akkupack oder Werkzeug nicht außerhalb des in den Anweisungen festgelegten Temperaturbereichs auf.** Ein unsachgemäßer Ladevorgang oder Temperaturen außerhalb des festgelegten Bereichs können den Akku schädigen und die Brandgefahr erhöhen.
- 6) **Service**
- a) **Lassen Sie Ihr Elektrowerkzeug nur von qualifiziertem Fachpersonal und nur mit Original-Ersatzteilen reparieren.** Damit wird sichergestellt, dass die Sicherheit des Gerätes erhalten bleibt.
- b) **Führen Sie niemals Wartungsarbeiten an beschädigten Akkus durch.** Die Wartung von Akkupacks darf nur vom Hersteller selbst oder autorisierten Dienstleistern durchgeführt werden.

D

## SICHERHEITSHINWEISE FÜR FREISCHNEIDER UND

# FREISCHNEIDER-SÄGEN

- a) **Verwenden Sie das Gerät nicht bei schlechten Witterungsbedingungen, insbesondere bei Blitzgefahr.** Dadurch verringert sich das Risiko, vom Blitz getroffen zu werden.
- b) **Inspizieren Sie den Bereich, in dem das Gerät eingesetzt werden soll, gründlich auf Wildtiere.** Wildtiere können während des Betriebs durch das Gerät verletzt werden.
- c) **Untersuchen Sie den Bereich, in dem das Gerät eingesetzt werden soll, gründlich und entfernen Sie alle Steine, Stöcke, Drähte, Knochen und andere Fremdkörper.** Herumgeschleuderte Gegenstände können zu Körperverletzungen führen.
- d) **Vergewissern Sie sich vor jeder Benutzung des Gerätes durch eine Sichtprüfung, dass das Messer oder die Klinge und die Messer- oder Klingenbaugruppe nicht beschädigt sind.** Beschädigte Teile erhöhen das Verletzungsrisiko.
- e) **Befolgen Sie die Anweisungen zum Wechseln des Zubehörs.** Unsachgemäß angezogene Muttern oder Schrauben zur Befestigung der Klinge können entweder die Klinge beschädigen oder dazu führen, dass sie sich löst.
- f) **Die Nenndrehzahl der Klinge muss mindestens gleich der auf dem Gerät angegebenen Höchstdrehzahl sein.** Klingen, die schneller als ihre Nenndrehzahl laufen, können zerbrechen und weggeschleudert werden.
- g) **Tragen Sie Augen-, Ohren-, Kopf- und Handschutz.** Angemessene Schutzausrüstung verringert Verletzungen durch umherfliegende Teile oder versehentlichen Kontakt mit dem Trimmerfaden oder der Klinge.
- h) **Tragen Sie bei der Bedienung des Gerätes immer Sicherheitsschuhe.** Benutzen Sie das Gerät nicht barfuß oder mit offenen Sandalen. Dadurch wird die Gefahr von Fußverletzungen durch Kontakt mit einem sich bewegenden Messer, einem Trimmerfaden oder einer Klinge verringert.
- i) **Tragen Sie bei der Bedienung des Gerätes immer lange Hosen.** Unbedeckte Haut erhöht die Wahrscheinlichkeit von Verletzungen durch weggeschleuderte Gegenstände.
- j) **Halten Sie Unbeteiligte während des Betriebs des Gerätes fern.** Herausgeschleuderte Fremdkörper können zu schweren Verletzungen führen.
- k) **Benutzen Sie bei der Bedienung des Gerätes immer zwei Hände.** Halten Sie das Gerät mit beiden Händen, um einen Kontrollverlust zu vermeiden.
- l) **Halten Sie das Gerät nur an den isolierten Griffflächen, da der Trimmerfaden oder die Klinge versteckte Kabel berühren können.** Wenn der Trimmerfaden oder die Klingen mit einer spannungsführenden Leitung in Berührung kommen, können freiliegende Metallteile des Gerätes unter Spannung geraten und der Bediener kann einen Stromschlag erleiden.

- m) **Achten Sie immer auf einen festen Stand und bedienen Sie das Gerät nur, wenn Sie auf dem Boden stehen.** Rutschige oder instabile Oberflächen können zu einem Verlust des Gleichgewichts oder der Kontrolle über das Gerät führen.
- n) **Benutzen Sie das Gerät nicht an übermäßig steilen Hängen.** Dies verringert das Risiko von Kontrollverlust, Ausrutschen und Stürzen, die zu Verletzungen führen können.
- o) **Achten Sie bei der Arbeit an Hängen immer auf einen sicheren Stand, arbeiten Sie immer quer über Hänge, niemals bergauf oder bergab, und seien Sie vorsichtig bei Richtungsänderung.** Dies verringert das Risiko von Kontrollverlust, Ausrutschen und Stürzen, die zu Verletzungen führen können.
- p) **Halten Sie während des Betriebs des Gerätes alle Körperteile vom Messer, dem Trimmerfaden oder der Klinge fern.** Vergewissern Sie sich vor dem Starten des Gerätes, dass das Messer, der Trimmerfaden oder die Klinge nicht irgendetwas berührt. Ein Moment der Unachtsamkeit bei der Bedienung des Gerätes kann Ihnen selbst oder anderen Verletzungen zufügen.
- q) **Betreiben Sie das Gerät nicht über Hüfthöhe.** Dies verhindert den unbeabsichtigten Kontakt von Messer oder Klinge und ermöglicht eine bessere Kontrolle über das Gerät in unerwarteten Situationen.
- r) **Achten Sie beim Schneiden von Gestrüpp oder Schösslingen, die unter Spannung sind, auf das Zurückspringen.** Wenn die Spannung in den Holzfasern gelöst wird, kann das Gestrüpp oder der Schössling den Bediener treffen bzw. das Gerät außer Kontrolle bringen.
- s) **Seien Sie beim Schneiden von Gestrüpp und Schösslingen äußerst vorsichtig.** Das dünne Material kann sich in der Klinge verfangen und in Ihre Richtung gepeitscht werden oder Sie aus dem Gleichgewicht bringen.
- t) **Behalten Sie die Kontrolle über das Gerät und berühren Sie nicht die Messer, Trimmerfaden oder Klingen sowie andere gefährliche, sich drehende Teile, während diese noch in Bewegung sind.** Dadurch wird die Verletzungsgefahr durch sich bewegende Teile verringert.
- u) **Tragen Sie das Gerät im ausgeschalteten Zustand und von Ihrem Körper weg.** Die richtige Handhabung des Gerätes verringert die Wahrscheinlichkeit eines versehentlichen Kontakts mit einem sich bewegenden Messer, einem Trimmerfaden oder einer Klinge.
- v) **Bringen Sie beim Transport oder der Lagerung des Gerätes immer die Schutzabdeckung der Metallklingen an.** Die richtige Handhabung des Gerätes verringert die Wahrscheinlichkeit eines versehentlichen Kontakts mit der Klinge.
- w) **Verwenden Sie nur die vom Hersteller angegebenen Ersatzteile für Messer, Trimmerfaden, Schneidköpfe und Klingen.** Falsche Ersatzteile können das Risiko von

Brüchen und Verletzungen erhöhen.

- x) **Vergewissern Sie sich, dass bei der Beseitigung von Materialstaus oder bei Wartungsarbeiten am Gerät der Schalter ausgeschaltet und der Akku entfernt ist.** Unerwartetes Einschalten des Gerätes beim Beseitigen von eingeklemmtem Material oder bei Wartungsarbeiten kann zu schweren Verletzungen führen.

## URSACHEN FÜR DEN MESSERSCHUB UND DAMIT VERBUNDENE WARNUNGEN

Ein Messerschub ist eine plötzliche Seitwärts-, Vorwärts- oder Rückwärtsbewegung des Geräts, die auftritt, wenn sich das Messer verklemmt oder an einem Objekt wie einem Bäumchen oder einem Baumstumpf hängen bleibt. Sie kann so heftig sein, dass der Bediener möglicherweise die Kontrolle über die Maschine verliert und in jede Richtung (mit oder ohne Maschine) geschleudert wird.

Messerstöße und die damit verbundenen Gefahren können durch die folgenden Vorsichtsmaßnahmen vermieden werden.

- a) **Halten Sie die Maschine mit beiden Händen fest im Griff und positionieren Sie Ihre Arme so, dass sie dem Messerstich standhalten. Positionieren Sie Ihren Körper auf der linken Seite der Maschine.** *Der Messerschub kann das Verletzungsrisiko erhöhen, da sich die Maschine unerwartet bewegt. Der Messerschub ist vom Bediener kontrollierbar, wenn die richtigen Vorsichtsmaßnahmen getroffen werden.*
- b) **Wenn das Messer klemmt oder ein Schnitt aus irgendeinem Grund unterbrochen wird, schalten Sie die Maschine aus und halten Sie die Maschine im Material fest, bis das Messer vollständig zum Stillstand gekommen ist. Versuchen Sie niemals, die Maschine aus dem Material herauszuziehen oder rückwärts zu ziehen, während das Messer in Bewegung ist, da dies zu einem Messerschub führen kann.** *Ermitteln und beheben Sie die Ursache für das Blockieren des Messers.*
- c) **Verwenden Sie keine stumpfen oder beschädigten Messer.** *Stumpfe oder beschädigte Messer erhöhen das Risiko der Verklemmung oder des Hängenbleibens an einem Objekt, was zu einem Messerschub führt.*
- d) **Sorgen Sie stets für eine gute Sicht auf das zu schneidende Material.** *In schwer einsehbaren Bereichen ist die Wahrscheinlichkeit eines Messerschubs größer.*
- e) **Nähert sich Ihnen eine andere Person, während Sie das Gerät bedienen, schalten Sie das Gerät aus.** *Im Fall eines Messerschubs besteht eine erhöhte Verletzungsgefahr für andere Personen, die von dem sich bewegenden Messer getroffen*

werden.

## BATTERIESICHERHEIT SICHERHEIT HINWEISE FÜR AKKUPACK

- a) **Zellen bzw. Akkupack nicht zerlegen, öffnen oder mutwillig zerstören.**
- b) **Akkupack nicht kurzschließen.** Akkupacks nicht wahllos in einer Schachtel oder Schublade aufbewahren, wo sie einander kurzschließen oder durch andere leitfähige Materialien kurzgeschlossen werden könnten. Bei Nichtverwendung des Akkupacks ist dieses von Metallgegenständen fernzuhalten, wie etwa Büroklammern, Münzen, Nägeln, Schrauben oder anderen kleinen Metallgegenständen, wo sich die Batterieklemmen berühren könnten. Das Kurzschließen der Batterieklemmen kann Verbrennungen bzw. einen Brand verursachen.
- c) **Zellen bzw. Akkupacks nicht Hitze oder Feuer aussetzen.** Lagerung in direktem Sonnenlicht vermeiden.
- d) **Akkupack nicht mechanischen Stößen aussetzen.**
- e) **Im Fall, dass Flüssigkeit aus dem Akku austritt, darf diese nicht in Kontakt mit der Haut oder den Augen kommen.** Sollte dies dennoch geschehen, den betroffenen Bereich sofort mit viel Wasser spülen und einen Arzt aufsuchen.
- f) **Akkupack sauber und trocken halten.**
- g) **Sollten die Klemmen des Akkupacks schmutzig werden, diese mit einem sauberen, trockenen Tuch abwischen.**
- h) **Trennung vor Gebrauch aufgeladen werden.** Beachten Sie die Gebrauchsanweisungen des Ladegerätes.
- i) **Akkupack bei Nichtverwendung nicht im Ladegerät aufbewahren.**
- j) **Nach längerer Lagerung doppelt des Akkus ist es eventuell notwendig den Akkupack mehrere Male doppelt aufzuladen und zu entladen, um eine optimale Leistung zu erhalten.**
- k) **Nur mit dem von Kress bezeichneten Ladegerät aufladen.** Kein Ladegerät verwenden, das nicht ausdrücklich für den Gebrauch mit dem Gerät vorgesehen ist.
- l) **Kein Akkupack verwenden, das nicht für den Gebrauch mit dem Gerät vorgesehen ist.**
- m) **Akkupacks von Kindern fernhalten.**
- n) **Die originalen Produktunterlagen zum späteren Nachschlagen aufbewahren.**
- o) **Den Akku bei Nichtverwendung aus dem Gerät nehmen.**
- p) **Ordnungsgemäß entsorgen.**
- q) **Verwenden Sie keine Akkupacks anderer Hersteller, Größe oder Typen.**
- r) **Halten Sie den Akku von Mikrowellen und hohem Druck fern.**


# ANFORDERUNGEN AN DIE BEDIENUNGSANLEITUNG FÜR AKKUBETRIEBENE GERÄTE

- a) Der Betrieb dieses Geräts unterliegt den folgenden zwei Bedingungen:  
 (1) Dieses Gerät darf keine schädlichen Interferenzen verursachen und  
 (2) dieses Gerät muss störsignalfest sein, einschließlich der Störungen, die einen unerwünschten Betrieb verursachen können.
- b) Achtung: Änderungen oder Modifikationen an diesem Gerät, die nicht ausdrücklich von der für die Einhaltung der Vorschriften verantwortlichen Partei genehmigt wurden, können dazu führen, dass der Benutzer die Berechtigung zum Betrieb des Geräts verliert.
- c) **HINWEIS:** Dieses Gerät verursacht und verwendet Hochfrequenzenergie und kann diese ausstrahlen. Falls es nicht entsprechend den Anweisungen installiert und verwendet wird, kann es störende Interferenzen beim Funkverkehr hervorrufen. Es gibt jedoch keine Garantie, dass in einer bestimmten Installation keine Störungen auftreten. Falls dieses Gerät Störungen des Radio- oder Fernsehempfangs verursacht, was durch Ein- und Ausschalten des Geräts festgestellt werden kann, sollte der Nutzer versuchen, die Störungen durch eine oder mehrere der folgenden Maßnahmen zu beheben:
- Richten Sie die Empfangsantenne neu aus oder verlegen Sie sie.
  - Vergrößern Sie den Abstand zwischen dem Gerät und dem Empfänger.
  - Schließen Sie das Gerät an einen anderen Stromkreis an als den, an den der Empfänger angeschlossen ist.
  - Wenden Sie sich an den Händler oder einen erfahrenen und geschulten Radio/TV-Fachmann, um Hilfe zu bekommen.




	ACHTUNG - Der Abstand zwischen dem Gerät und umstehenden Personen muss mindestens 15 m (50 Fuß) betragen.
	ACHTUNG - Vorsicht vor weggeschleuderten Gegenständen.
	ACHTUNG - Vorsicht vor Klingenschub
	Verwenden Sie keine Metallklingen.
	ACHTUNG - Vor der Wartung ist der Akku abzuklemmen.
	Tragen Sie einen Handschutz
	Elektroprodukte dürfen nicht mit dem normalen Haushaltsmüll entsorgt werden, sondern sollten nach Möglichkeit zu einer Recyclingstelle gebracht werden. Ihre zuständigen Behörden oder Ihr Fachhändler geben Ihnen hierzu gerne Auskunft.
 Li-Ion 	Lithium-Ionen-Akku: Dieses Produkt wurde mit einem Symbol markiert, das sich auf die 'gesonderte Sammlung' aller Akkupacks und Akkus bezieht. Es wird anschließend recycelt oder demontiert, um die Beeinträchtigung der Umwelt zu verringern. Akkupacks können die Umwelt und menschliche Gesundheit beeinträchtigen, da diese schädliche Substanzen enthalten.
	Nicht verbrennen

D


## SYMBOLE

	Zur Reduzierung der Verletzungsgefahr bitte die Bedienungsanleitung durchlesen
	Tragen Sie einen Augen-, Gehör- und Kopfschutz
	Tragen Sie rutschfeste Schuhe



	<p>Wenn der Akku unsachgemäß behandelt wird, kann gefährdendes Material in den Wasserkreislauf gelangen und das Ökosystem schädigen. Entsorgen Sie verbrauchte Akkus nicht über den Hausmüll.</p>
	<p>Stellen Sie sicher, dass der Akku vor dem Wechseln des Zubehörs entfernt wird.</p>
	<p>Trimmen</p>

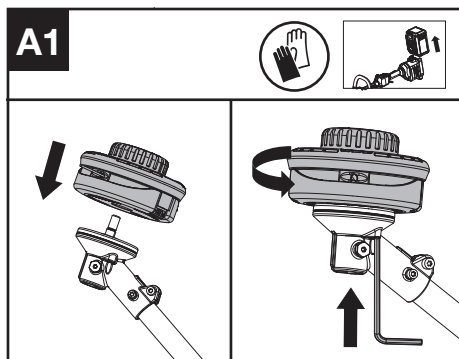
## MONTAGE UND BEDIENUNG

 **HINWEIS:** Lesen Sie das Handbuch vor Inbetriebnahme des Werkzeuges sorgfältig durch.

 **VOR INBETRIEBNAHME:**

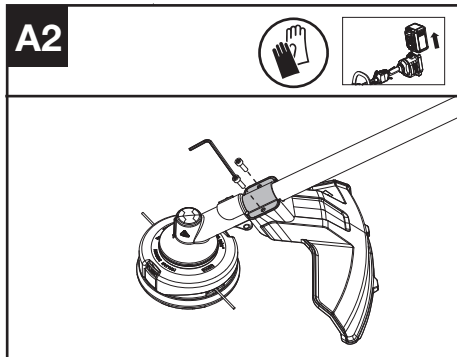
**Schneidkopf montieren. (siehe Abb. A1)**

Schneidkopf montieren. Führen Sie den Sechskantschlüssel in die Bohrung ein und drehen Sie den Trimmerkopf bis zum Anschlag in die Verriegelungsstellung.

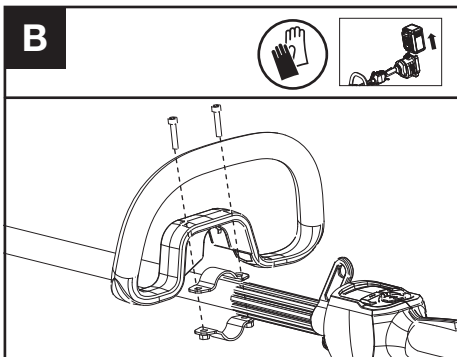


**Montage des Schneidschutzes (siehe Abb. A2)**


1. Nehmen Sie den richtigen Schneidschutz für den Trimmerkopf zur Hand und befestigen Sie ihn oberhalb der des Winkelgetriebes.
2. Sorgen Sie dann für den festen Sitz des Schutzes, indem Sie die Schrauben mit dem Torxschlüssel anziehen.



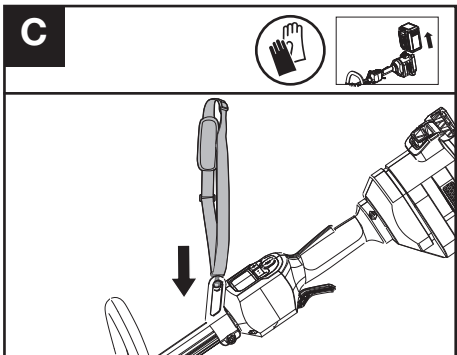
**Montage des Handgriffs (siehe Abb. B)**



1. Bringen Sie den Handgriff und die untere Klemme am Schaft an.
2. Stecken Sie den Bolzen durch die Bohrungen.
3. Ziehen Sie anschließend die Schrauben an, um den Handgriff sicher zu befestigen.

 **WARNUNG:** Stellen Sie den Handgriff auf die gewünschte Länge ein und achten Sie darauf, dass Ihr vorderer Arm während der Verwendung des Trimmers gestreckt ist.

**Schultergurt montieren (optional erhältlich) (siehe Abb. C)**

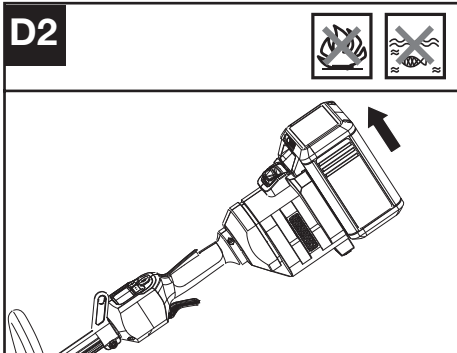
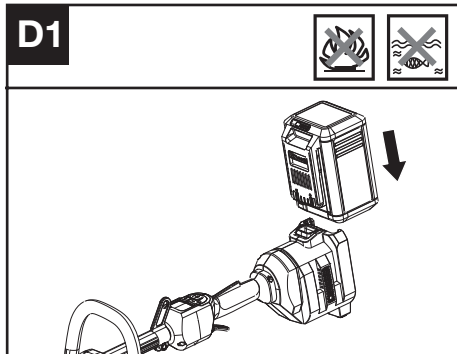


D

1. Passen Sie die Länge des Schulterriemens an.
2. Haken Sie dann den Karabiner des optional erhältlichen Schulterriemens entfernen an dem Schaft des Trimmers befindlichen Befestigungspunkt ein.

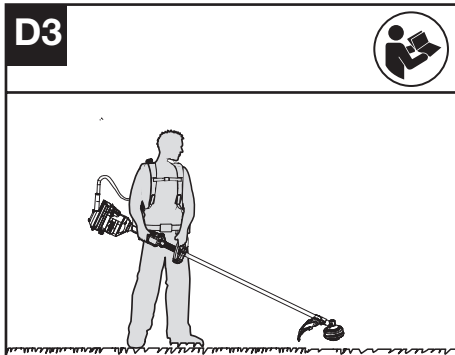
### Anbringen Und Entfernen Des Akkus (Siehe Abb. D1, D2)

1. Schieben Sie das Akkupack in das Akkufach hinein.
2. Drücken Sie die Akkuverriegelung hinein, um den Akku zu entriegeln, und ziehen Sie ihn aus dem Elektrowerkzeug oder Trimmer heraus.



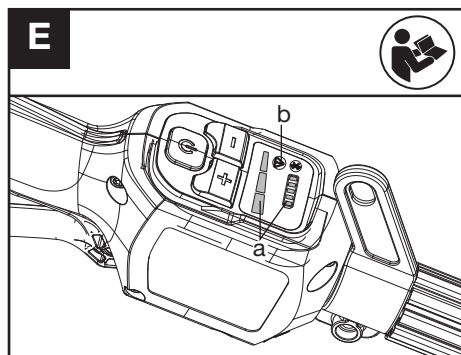
### Montage des Rucksackgeschirrs (Siehe Abb. D3)

Sie haben die Möglichkeit, ein optional erhältliches Rucksackgeschirr (nicht im Lieferumfang enthalten) an dem Trimmer zu befestigen. Weitere Informationen dazu finden Sie in der dem Rucksackgeschirr beiliegenden Montageanleitung.



### TESTBETRIEB DES TRIMMERS UND DES AKKUPACKS (SIEHE ABB. E) Überprüfen der Bedienelemente Sicherheitsschalter und Betätigung (Startschalter) streichen

1. Entfernen Sie zunächst einmal das Akkupack.
2. Betätigen Sie dann die Betätigung des Starhebels. Sollte sich der Starhebel betätigen lassen, ohne dass der Sicherheitsschalter für die Anwesenheit des Bedieners gedrückt wird, bedeutet dies, dass der Sicherheitsschalter defekt ist. Sehen Sie in solch einem Fall von der weiteren Verwendung des Trimmers ab und wenden Sie sich an den Kundendienst.
4. Halten Sie nun zuerst den Sicherheitsschalter gedrückt und betätigen Sie dann den Starhebel.
5. Lassen Sie sowohl den Starhebel als auch den Sicherheitsschalter wieder los. Stellen Sie sicher, dass weder der Starhebel noch der Sicherheitsschalter klemmen und beide Bedienelemente ordnungsgemäß in ihre Ausgangsposition zurückspringen. Sollte diesbezüglich eine Störung vorliegen, sehen Sie von der weiteren Verwendung des Trimmers ab und wenden Sie sich an den Kundendienst.



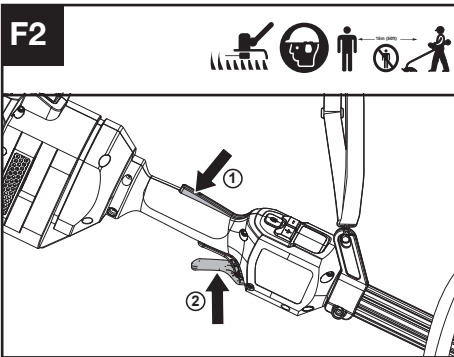
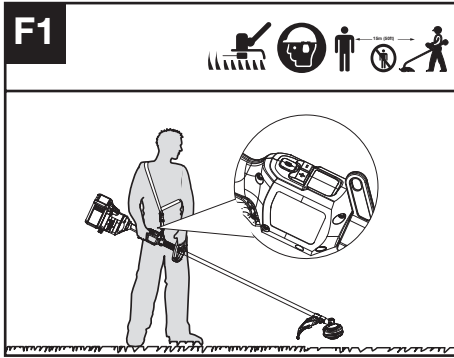
### Display

1. Setzen Sie zunächst einmal das Akkupack ein.
2. Halten Sie dann den Ein-/Aus-Schalter gedrückt. Leuchtet die LED (a) durchgehend, befindet sich

das Produkt im eingeschalteten Zustand. Leuchtet die LED (a) nicht, befindet sich das Produkt im ausgeschalteten Zustand.

3. Drücken Sie anschließend zuerst den Sicherheitsschalter und betätigen Sie dann Startbetätigung, um das Gerät in Betrieb zu nehmen. Der Trimmerkopf beginnt sich daraufhin zu drehen.
4. Sollte die LED-Warnanzeige (b) leuchten oder blinken, finden Sie im Abschnitt „**Problembehandlung**“ geeignete Abhilfemaßnahmen.
5. Lassen Sie nun die Startbetätigung wieder los. Der Trimmerkopf stellt die Drehbewegung nach einer kurzen Verzögerung ein. Sollte sich der Trimmerkopf weiterhin drehen, nehmen Sie das Akkupack heraus und wenden Sie sich an den Kundendienst.

**BETRIEB:**  
**Inbetriebnahme des Trimmers (Siehe Abb. F1, F2)**



1. Halten Sie den Führungsholm des Trimmers fest in einer Hand und umspannen Sie den Holm mit Ihrem Daumen. Umgreifen Sie mit Ihrer linken Hand den Handgriff des Trimmers und umspannen Sie auch diesen mit Ihrem Daumen.
2. Halten Sie dann den Ein-/Aus-Schalter gedrückt, bis die grüne LED zu leuchten beginnt. Die grüne LED zeigt den verbleibenden Akkustand an.
3. Drücken Sie anschließend zuerst den

Sicherheitsschalter und betätigen Sie dann den Abzug des Gashebels, um das Gerät in Betrieb zu nehmen. Wird die grüne LED für den Start/Stop der Motoreinheit nicht als Sicherheitsmaßnahme verwendet, erlischt diese nach fünf Sekunden. Wenn Sie keine Schneidarbeiten vornehmen, aber den Sicherheitsschalter weiterhin gedrückt halten, bleibt das Gerät im Betriebszustand. Erlischt die grüne LED, müssen Sie das Produkt erneut in Betrieb nehmen.

**HINWEIS:** Der Schalter für die Anwesenheit des Bedieners ist so konzipiert, dass eine versehentliche Betätigung verhindert wird. Sobald Sie den Sicherheitsschalter drücken, wird Startbetätigung freigegeben.

**Einstellen der Motordrehzahl**

Je nach Anwendung können Sie zwischen drei verschiedenen Drehzahleinstellungen wählen. Verwenden Sie zum Anpassen der Motordrehzahl die Tasten „+/-“. Die LEDs zeigen Ihnen die aktuell ausgewählte Drehzahleinstellung an. Je höher die Drehzahleinstellung, desto schneller dreht sich das Arbeitswerkzeug.

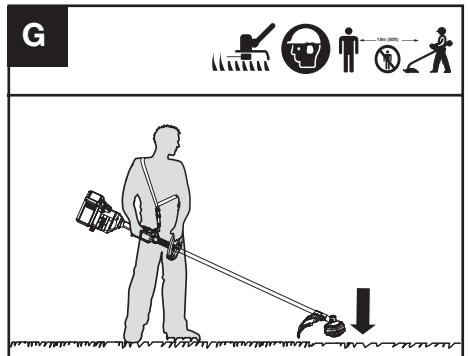
**Stoppen des Trimmers**

Möchten Sie den Trimmer stoppen, lassen Sie einfach den Startbetätigung los.

**! WARNUNG!** Der Schneidkopf dreht sich auch nach dem Ausschalten des Gerätes weiter. Warten Sie, bis der Kopf stehenbleibt und legen Sie das Werkzeug auf den Boden.

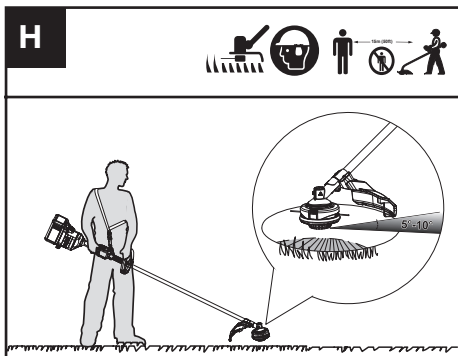
**Bump Line Zuführsystem (Siehe Abb. G)**

Der Trimmer ist mit einer automatischen Fadenzuführung ausgestattet. Immer wenn Sie bei laufender Maschine den Trimmerkopf auf den Boden tippen, wird der Faden nachgeführt.



D

## Hinweise zum Trimmen (Siehe Abb. H)



1. Schwenken Sie den Trimmer hin und her über den zu schneidenden Bereich.
2. Verwenden Sie zum Trimmen ausschließlich das Ende des Fadens und drücken Sie den Kopf des Trimmers unter keinen Umständen in ungeschnittenes Gras.
3. Maschendraht- und Lattenzäune können den Verschleiß des Fadens beschleunigen oder gar zu einem Abreißen führen. Stein- und Ziegelsteinmauern, Bordsteine und Holz können ebenfalls einen deutlich schnelleren Verschleiß des Fadens nach sich ziehen.
4. Vermeiden Sie den Kontakt mit Bäumen und Sträuchern. Baumrinde, Holzleisten, Verkleidungen und Pfosten eines Zaunes können durch den Faden leicht beschädigt werden.
5. Die gewählte DrehzahlEinstellung beeinflusst die Laufzeit des Akkupacks. Je niedriger die Drehzahl ist, desto länger ist die Akkulaufzeit. Wir empfehlen, stets die niedrigste DrehzahlEinstellung zu verwenden, es sei denn, die Schneidarbeiten erfolgen unter widrigen Bedingungen.

## Bei Akkuwerkzeugen

Die optimale Betriebstemperatur beträgt  $-20^{\circ}\text{C} \sim 45^{\circ}\text{C}$  ( $-4^{\circ}\text{F} \sim 113^{\circ}\text{F}$ ).  
Der empfohlene Umgebungstemperaturbereich für die Ladestation liegt zwischen  $-5^{\circ}\text{C} \sim 45^{\circ}\text{C}$  ( $23^{\circ}\text{F} \sim 113^{\circ}\text{F}$ ).

## TRANSPORT

### Transportieren des Trimmers

1. Schalten Sie den Trimmer aus und nehmen Sie das Akkupack heraus.
2. Sollten Sie Ihren Trimmer in der Hand tragen, halten Sie ihn möglichst in der Mitte des Schafts fest und drehen Sie den Trimmerkopf nach hinten, um sicherzustellen, dass das Produkt stets parallel zum Boden ausgerichtet ist.
3. Sollten Sie Ihren Trimmer in einem Fahrzeug transportieren, sichern und positionieren Sie ihn so, dass er weder verrutschen noch beschädigt

werden kann.

### Transportieren des Akkupacks

1. Stellen Sie sicher, dass sich das Akkupack in einem für den Transport sicheren Zustand befindet.
2. Ist dies der Fall, verpacken Sie das Akkupack mit einem nicht leitenden Verpackungsmaterial.
3. Die in dem Akkupack enthaltenen Lithium-Ionen-Akkuzellen unterliegen den für Gefahrgut geltenden Gesetzen und Rechtsvorschriften. Transportieren Sie Akkupacks nur, wenn deren Gehäuse keinerlei Beschädigungen aufweisen. Verpacken Sie die Akkupacks stets so, dass sie sich in der Verpackung nicht bewegen können.

## WARTUNG



**Nach Verwendung des Akkupack stets aus Ihrem Trimmer entfernen.**

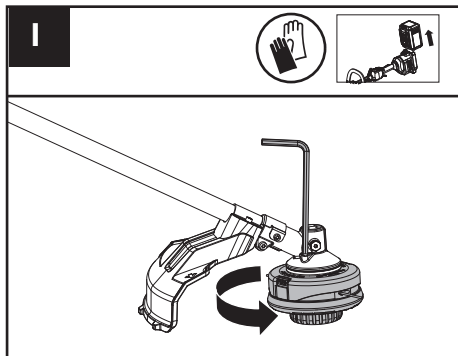
### Ersetzen des Trimmerkopfes (siehe Abb. I)



**WARNUNG! Die Verwendung von Drähten oder metallverstärkten Schneidfäden ist nicht zulässig und kann äußerst gefährlich sein. Verwenden Sie nur den in diesem Handbuch empfohlenen Schneidfaden in Kombination mit dem empfohlenen Schneidschutz.**



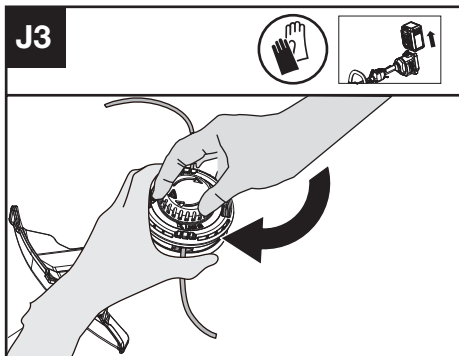
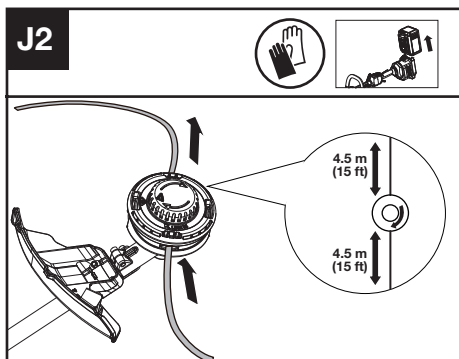
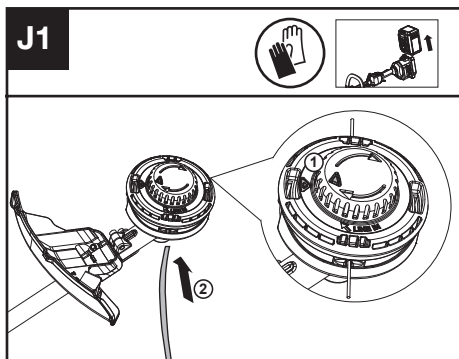
**WARNUNG! Ein beschädigter oder lockerer Schneidaufsatz kann vibrieren, Risse bilden, zerbrechen oder sich vom Trimmer lösen, was zu schweren oder tödlichen Verletzungen oder Sachschäden führen kann. Stellen Sie vor Beginn der Arbeit sicher, dass der Trimmerkopf ordnungsgemäß sowie sicher angezogen und in gutem Zustand ist.**



1. Führen Sie den Sechskantschlüssel in die Bohrung ein und drehen Sie den Trimmerkopf bis zum Anschlag in die Verriegelungsstellung.
2. Drehen Sie dann den Trimmerkopf im Uhrzeigersinn, um ihn zu entfernen, und anschließend gegen den Uhrzeigersinn, um ihn wieder anzubringen.

## Die Trimmerleine aufwickeln (Siehe Abb. J1, J2, J3)

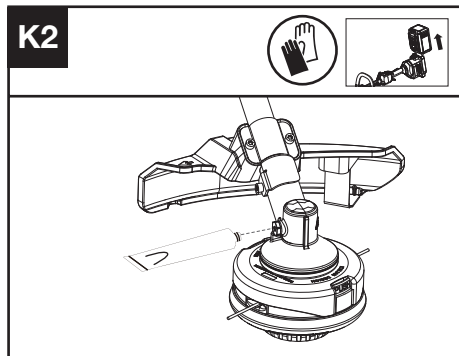
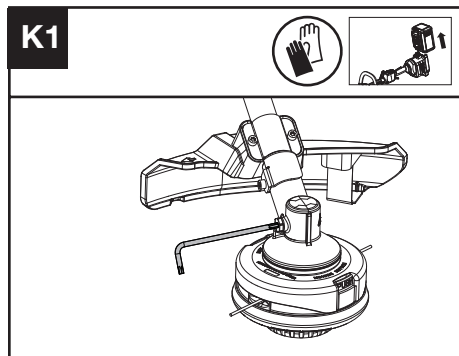
1. Drehen Sie die Spulenabdeckung so, dass die beiden Dreieckssymbole aufeinander ausgerichtet sind (siehe Abb. J1).



2. Führen Sie dann den Ersatzfaden durch die Öse (Zuführung), bis er aus der anderen Öse wieder austritt. Vergewissern Sie sich anschließend, dass beide Enden des durch den Trimmerkopf geführten Fadens dieselbe Länge aufweisen (4,5 m/15 ft werden empfohlen), und schneiden Sie den Faden ab. (siehe Abb. J2)
3. Drehen Sie nun das Rad im Uhrzeigersinn, um den Faden um die Spule zu wickeln, bis auf

beiden Seiten etwa 16 cm (6") übrig bleiben. (siehe Abb. J3)

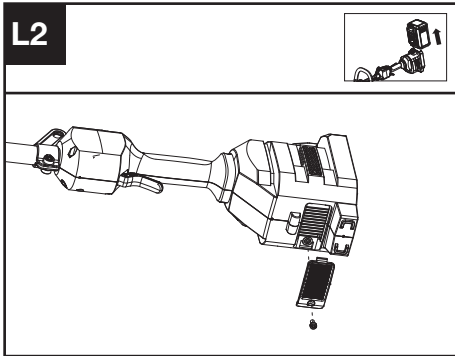
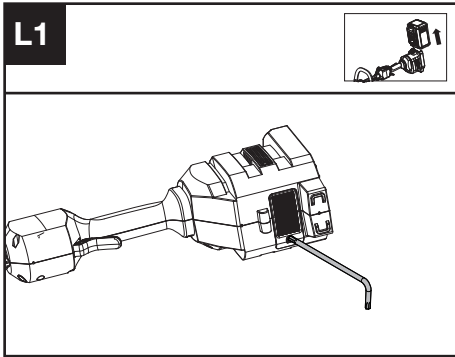
## Schmieren des Getriebes (siehe Abb. K1, K2)



1. Lösen Sie die sich am Getriebe befindliche Schraube.
2. Sollte das Ende der Schraube kein Getriebefett aufweisen, geben Sie 5 g eines geeigneten Getriebefetts (SHELL Gadus S2 V220 1) in das Getriebegehäuse.
3. Setzen Sie dann die Schraube wieder ein und ziehen Sie sie fest.
4. Setzen Sie zu guter Letzt das Akkupack ein und lassen Sie den Trimmer eine Minute lang laufen, um sicherzustellen, dass das Getriebe gleichmäßig geschmiert ist.

## Reinigen des Luftfilters (Siehe Abb. L1, L2)

1. Reinigen Sie den Bereich um den Luftfilter. Verwenden Sie dazu ein feuchtes Tuch oder eine weiche Bürste.
2. Lösen Sie dann die Schrauben der Abdeckung und nehmen Sie den Luftfilter heraus.
3. Spülen Sie nun den Luftfilter unter fließendem Wasser aus, bis sich kein Schmutz mehr darin befindet.
4. Lassen Sie den Luftfilter anschließend an der Luft trocknen. Bringen Sie ihn zu guter Letzt wieder in dem Gehäuse unter und ziehen Sie die Schraube der Abdeckung fest.



dem Lagern oder Laden trocknen. Nehmen Sie den Akku heraus und setzen Sie ihn wieder ein, wenn sich das Gerät nicht einschalten lässt.

3. Bewahren Sie den Trimmer an einem trockenen und sicheren Ort auf, der für Kinder und unbefugte Dritte unzugänglich ist. Entfernen Sie bei längerem Nichtgebrauch stets den Schneidaufsatz.
4. Lagern Sie das Akkupack ausschließlich in einem Temperaturbereich zwischen 5 °C (41°F) und 25°C (77°F). Lassen Sie das Akkupack im Sommer beispielsweise nicht im Auto zurück.

## Wartungsintervall

Wir empfehlen, nach jeweils 50 Betriebsstunden (tatsächliche Schneidarbeiten) das Getriebe zu schmieren und den Luftfilter zu reinigen.

## REINIGUNG

1. Schalten Sie den Trimmer aus und nehmen Sie das Akkupack heraus.
2. Verwenden Sie keine aggressiven Reinigungs- oder Lösungsmittel. Reinigen Sie das Gerät nach jedem Gebrauch mit einem Tuch, das Sie zuvor mit einem ph-neutralen Reinigungsmittel angefeuchtet haben.
3. Halten Sie den Steckplatz frei von Fremdkörpern und reinigen Sie ihn mit einer weichen, trockenen Bürste oder einem Tuch.
4. Sprühen Sie kein Wasser auf den Motor und die elektrischen Komponenten.
5. Verwenden Sie zur Reinigung Ihres Geräts unter keinen Umständen einen Hochdruckreiniger.

## AUFBEWAHRUNG

1. Nehmen Sie das Akkupack aus dem Trimmer, bevor Sie ihn aufbewahren.
2. Wenn das Gerät beim Betrieb im Regen nass geworden ist, sollten Sie es und den Akku vor

# STÖRUNGSBEHEBUNG

In der folgenden Tabelle finden Sie Probleme und Maßnahmen, die Sie ergreifen können, falls Ihre Maschine nicht ordnungsgemäß funktioniert.



**WARNUNG:** Schalten Sie die Maschine aus und entfernen Sie den Akku, bevor Sie Störungen beheben.

## TRIMMER

Problem	Mögliche Ursachen	Abhilfemaßnahmen
LED-Akkustandsanzeige blinkt	Spannung des Akkupacks ist gering.	Laden Sie das Akkupack auf.
Rote LED-Fehleranzeige blinkt	Produkt ist überlastet.	Der Schneidaufsatz hat sich verklemmt. Setzen Sie das Produkt umgehend außer Betrieb. Entfernen Sie dann das Akkupack. Reinigen Sie anschließend den Schneidaufsatz und entfernen Sie alle unerwünschten Rückstände.
	Produkt ist überhitzt.	Lassen Sie das Produkt vollständig abkühlen.
	Betätigung und Ein-/Aus-Schalter werden gleichzeitig betätigt.	Lassen Sie den Betätigung los. Nehmen Sie das Produkt anschließend wieder in Betrieb.
	Sonstige Probleme	Wenden Sie sich an den Kundendienst
Produkt lässt sich nicht in Betrieb nehmen	Kontaktflächen des für das Akkupack vorgesehenen Steckplatzes sind verschmutzt.	Reinigen Sie die Kontaktflächen des Steckplatzes mit Druckluft oder einer weichen Bürste.
	Sonstige Probleme	Wenden Sie sich an den Kundendienst.
Produkt unterbricht den Betrieb	Akku ist nicht bis zum Anschlag in den Steckplatz eingeführt.	Führen Sie das Akkupack bis zum Anschlag ein.
	Problem mit der Elektrik.	Wenden Sie sich an den Kundendienst.
Produkt verursacht übermäßige Vibrationen oder Lärm.	Enden des Fadens weisen nicht dieselbe Länge auf.	Wickeln Sie den Faden auf.
	Problem mit Schneidaufsatz Produkt ist defekt.	Ersetzen Sie den Schneidaufsatz durch einen neuen. Wenden Sie sich an den Kundendienst.


D

## AKKUPACK

Problem	Mögliche Ursachen	Abhilfemaßnahmen
LED-Fehleranzeige leuchtet	Akkupack ist vollständig entladen	Laden Sie das Akkupack auf. Sollte sich das Akkupack nicht aufladen lassen, wenden Sie sich an den Kundendienst.
	Produkt ist überhitzt.	Laden Sie das Akkupack nur bei Umgebungstemperaturen von -5 °C bis 45 °C (+23 °F bis 113 °F) auf. Während der Entladung muss die Umgebungstemperatur zwischen -20 °C und 45 °C (-4 °F und +113 °F) betragen.
	Sonstige Probleme	Wenden Sie sich an den Kundendienst.

# TECHNISCHE DATEN

Typ **KC100 KC100.X** (1-Bezeichnung der Maschine, Vertreter der Akku- Rasenmäher)

	<b>KC100 KC100.X **</b>
Spannung	60 V  MAX ***
Schneidgeschwindigkeit	4200 / 5100 / 5900 rpm
Schnittdurchmesser	42 cm (16.5")
Fadenstärke	2.4 / 2.7 mm (0.095" / 0.105") Nylonschnur
Schutzklasse	IPX4
Gewicht (Ohne Akku)	4.5 kg (9.9 lbs)

\*\* X=1-999, A-Z, M1-M9 werden nur für verschiedene Kunden verwendet, es gibt keine sicherheitsrelevanten Veränderungen zwischen diesen Modellen.

\*\*\* Spannung ohne Arbeitslast gemessen. Anfangsakkuspannung erreicht maximal 60 Volt. Nennspannung ist 54 Volt.

## EMPFOHLENE AKKUS UND LADEGERÄTE

Akku	Kapazität	Lader	Stromstärke
KAC804	4.0 Ah	KAC840	30 A
KAC810 (mit Rucksackgeschirr)	11.0 Ah		

**D** Wir empfehlen Ihnen, Ihr Zubehör bei demselben Händler zu kaufen, bei dem Sie das Gerät erworben haben. Weitere Informationen finden Sie auf der Verpackung des Zubehörs. Lassen Sie sich von Ihrem Händler beraten und unterstützen.

## TECHNISCHE DATEN FÜR AKKU-PACK (OPTIONAL)

Frequenzbänder für Bluetooth	2400-2483.5 MHz
Maximale Sendeleistung für Bluetooth	8 dBm

## KOMBINATIONEN VON SCHNEIDAUFSÄTZEN, SCHNEIDSCHUTZVORRICHTUNGEN UND TRAGESYSTEMEN

Schneidaufsatz	Schneidschutz	Sperrbalken	Tragesystem
- 4"-Trimmerkopf (optional, nicht enthalten) - 5"-Trimmerkopf	- Gut sichtbare Schutzabdeckung - Universalabdeckung mit Seitenrand	- Optional	- Schultergurt - Rucksackgeschirr für Akkupack
- Schneidklinge	- Universalabdeckung ohne Seitenrand	- Erforderlich	



# INFORMATIONEN ÜBER LÄRM

Gewichteter Schalldruck  $L_{pA} = 79.7 \text{ dB(A)}$

$K_{pA}$  3 dB(A)

Gewichtete Schalleistung  $L_{wA} = 94.94 \text{ dB(A)}$

$K_{wA}$  0.59 dB(A)

Tragen Sie einen Gehörschutz.



# INFORMATIONEN ÜBER VIBRATIONEN

Typischer gewichteter Vibrationswert  $a_n = 2,45 \text{ m/s}^2$

Unsicherheit  $K = 3 \text{ m/s}^2$

**! WARNUNG:** Der Vibrationsemissionswert während des tatsächlichen Gebrauchs des Elektrowerkzeugs kann vom angegebenen Wert abweichen, je nachdem, wie das Werkzeug gemäß folgender Beispiele und anderweitiger Verwendungsmöglichkeiten eingesetzt wird: Die Verwendung des Werkzeugs und die Art, wie die Materialien geschnitten oder angebohrt werden. Das Werkzeug ist in gutem Zustand und gut gepflegt. Verwendung des richtigen Zubehörs für das Werkzeug und Gewährleistung seiner Schärfe und seines guten Zustands.

Die Festigkeit der Handgriffe und ob Antivibrationszubehör verwendet wird. Und ob das verwendete Werkzeug dem Design und diesen Anweisungen entsprechend verwendet wird.

**Wird dieses Werkzeug nicht angemessen gehandhabt, kann es ein Hand-Arm-Vibrationssyndrom erzeugen.**

**! WARNUNG:** Um genau zu sein, sollte ein Abschätzung des Belastungsgrades aller Arbeitsabschnitte während tatsächlicher Verwendung berücksichtigt werden, z.B. die Zeiten, wenn das Werkzeug ausgeschaltet ist, und wenn es sich im Leerlauf befindet und eigentlich nicht eingesetzt wird. Auf diese Weise kann der Belastungsgrad während der gesamten Arbeitszeit wesentlich gemindert werden. Minimieren Sie Ihr Risiko, dem Sie bei Vibrationen ausgesetzt sind. Verwenden Sie IMMER scharfe Meißel, Bohrer und Sägeblätter. Pflegen Sie dieses Werkzeug diesen Anweisungen entsprechend und achten Sie auf eine gute Einfettung (wo erforderlich). Bei regelmäßiger Verwendung dieses Werkzeugs sollten Sie in Antivibrationszubehör investieren. Machen Sie einen Arbeitsplan, um die Verwendung von hochvibrierenden Werkzeugen auf mehrere Tage zu verteilen.

# UMWELTSCHUTZ

Elektroprodukte dürfen nicht mit dem normalen Haushaltsmüll entsorgt werden, sondern sollten nach Möglichkeit zu einer Recyclingstelle gebracht werden. Ihre zuständigen Behörden oder Ihr Fachhändler geben Ihnen hierzu gerne Auskunft.

# KONFORMITÄTSERKLÄRUNG

Wir,  
Positec Germany GmbH  
Postfach 32 02 16, 50796 Cologne, Germany

Erklären im Namen von Positec, dass das Produkt Beschreibung **Akku- Rasenmäher** Typ **KC100 KC100.X (1- Bezeichnung der Maschine, Vertreter der Akku- Rasenmäher)** Funktion **Gras und ähnlich weiche Vegetation schneiden und Graskanten trimmen**

den Bestimmungen der folgenden Richtlinien entspricht:

**2006/42/EC, 2014/30/EU**  
**2011/65/EU&(EU)2015/863**  
**2000/14/EC geändert durch 2005/88/EC**

2000/14/EC geändert durch 2005/88/EC:  
- Konformitätsbewertungsverfahren nach

## Annex VI

- Gemessene Schalleistung **94.94 dB (A)**  
- Garantierte Schalleistung **96 dB (A)**

Zertifizierungsstelle

Name: **Intertek Deutschland GmbH (notifizierte Stelle 0905)**

Anschrift: **Stangenstraße 1, 70771 LEINFELDEN- ECHTERDINGEN**

Normen,

**EN 62841-1, FprEN IEC 62841-4-4:2020+FprAA:2021-02, EN 62233, EN ISO 3744, EN IEC 55014-1, EN IEC 55014-2**

Zur Kompilierung der technischen Datei ermächtigte Person,

Name **Marcel Filz**  
Anschrift **Positec Germany GmbH**  
Postfach **32 02 16, 50796 Cologne, Germany**



2022/12/5

Allen Ding  
Stellvertretender Chefsingenieur,  
Prüfung und Zertifizierung  
Positec Technology (China) Co., Ltd  
18, Dongwang Road, Suzhou Industrial  
Park, Jiangsu 215123, P. R. China

# SOMMAIRE

Introduction.....	34
Liste des composants.....	35
Sécurité du produit.....	36
Montage et utilisation.....	41
Transport.....	44
Entretien.....	44
Nettoyage.....	45
Stockage.....	46
Dépannage.....	46
Données techniques.....	47
<b>F</b> Protection de l'environnement.....	48
Déclaration de conformité.....	48

## INTRODUCTION

Cher Client,

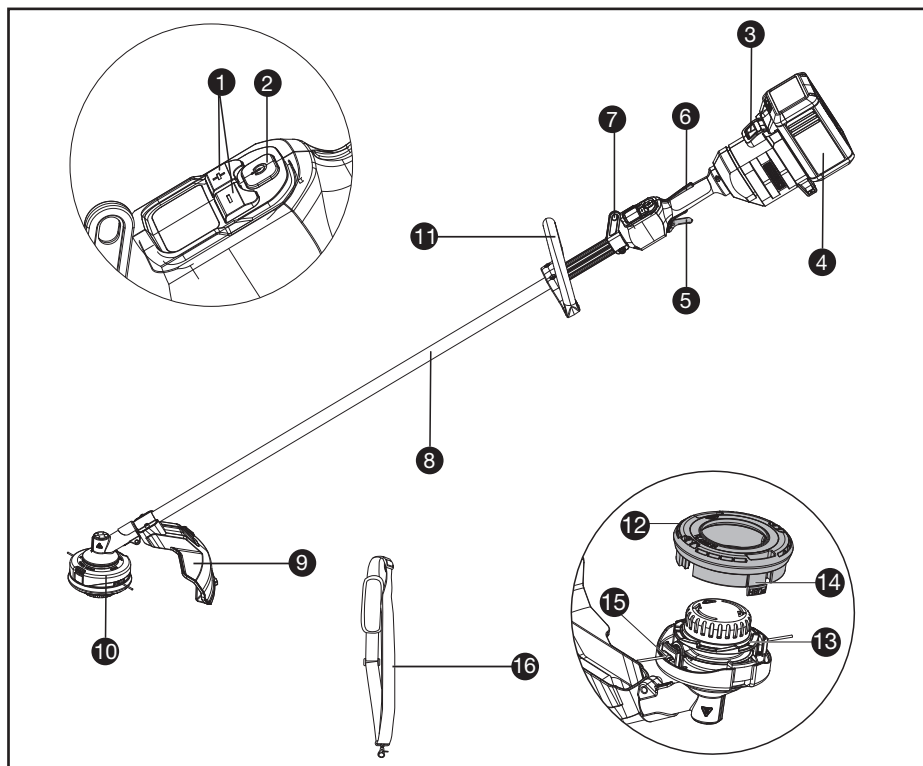
Merci d'avoir acheté ce produit de la marque Kress Commercial. Nous nous engageons à développer des produits de haute qualité pour répondre à vos exigences d'aménagement paysager.

La marque Kress est synonyme de service de qualité supérieure. Au cours des années d'utilisation de votre produit, si vous avez des questions ou des inquiétudes à son sujet, veuillez contacter votre revendeur ou notre équipe de service clientèle pour obtenir de l'aide.

Nous espérons que vous serez satisfait de votre produit de la marque Kress pour les années à venir.

## UTILISATION CONFORME

Cette machine est destinée à couper l'herbe et les mauvaises herbes hautes qui ne peuvent être atteintes par une tondeuse à gazon. Cette machine est également utilisée sur les zones dont les pentes ne se prêtent pas à la tonte.



## LISTE DES COMPOSANTS

- |     |                                       |
|-----|---------------------------------------|
| 1.  | BOUTONS DE RÉGLAGE DE LA VITESSE      |
| 2.  | INTERRUPTEUR MARCHÉ/ARRÊT             |
| 3.  | VERROU DE PACK BATTERIE               |
| 4.  | PACK BATTERIE *                       |
| 5.  | MANETTE DES GAZ                       |
| 6.  | BOUTON DE PRÉSENCE DE L'OPÉRATEUR     |
| 7.  | SUPPORT DE BANDOULIÈRE                |
| 8.  | FLASQUE                               |
| 9.  | PROTECTION ANTI-DÉBRIS                |
| 10. | TÊTE DE COUPE                         |
| 11. | FRONT HANDLE                          |
| 12. | COUVERCLE DE BOBINE                   |
| 13. | BOBINE                                |
| 14. | LOQUET DE DÉVERROUILLAGE DE COUVERCLE |
| 15. | ŒILLET                                |
| 16. | BANDOULIÈRE *                         |

\* Les accessoires reproduits ou décrits ne sont pas tous compris avec le modèle standard livré.

# NOTICE ORIGINALE

## AVERTISSEMENTS DE SÉCURITÉ

### SÉCURITÉ DU PRODUIT

## AVERTISSEMENTS GÉNÉRAUX DE SÉCURITÉ POUR L'OUTIL



**AVERTISSEMENT!** Lire l'ensemble des mises

en garde, instructions, illustrations et spécifications fourni avec cet outil électrique.

Ne pas suivre toutes les instructions énumérées ci-dessous peut conduire à une électrocution, un incendie et / ou des blessures graves.

Conserver tous les avertissements et toutes les instructions pour pouvoir s'y reporter ultérieurement.

Le terme «outil» dans les avertissements fait référence à votre outil électrique alimenté par le secteur (avec cordon d'alimentation) ou votre outil fonctionnant sur batterie (sans cordon d'alimentation).

#### 1) Sécurité de la zone de travail

- a) Conserver la zone de travail propre et bien éclairée.** Les zones en désordre ou sombres sont propices aux accidents.
- b) Ne pas faire fonctionner les outils électriques en atmosphère explosive, par exemple en présence de liquides inflammables, de gaz ou de poussières.** Les outils électriques produisent des étincelles qui peuvent enflammer les poussières ou les fumées.
- c) Maintenir les enfants et les personnes présentes à l'écart pendant l'utilisation de l'outil.** Les distractions peuvent vous faire perdre le contrôle de l'outil.

#### 2) Sécurité électrique

- a) Il faut que les fiches de l'outil électrique soient adaptées au socle. Ne jamais modifier la fiche de quelque façon que ce soit. Ne pas utiliser d'adaptateurs avec des outils à branchement de terre.** Des fiches non modifiées et des socles adaptés réduiront le risque de choc électrique.
- b) Éviter tout contact du corps avec des surfaces reliées à la terre telles que les tuyaux, les radiateurs, les cuisinières et les réfrigérateurs.** Il existe un risque accru de choc électrique si votre corps est relié à la terre.
- c) N'utilisez pas la machine sous la pluie ou dans des conditions humides. Cela peut renforcer le risque de choc électrique.** Si elles sont mouillées par la pluie pendant l'utilisation, la machine et la batterie devraient être séchées avant rangement ou mise en charge. Retirez la batterie et réinsérez-la si la machine ne s'allume

pas. Aucun corps étranger ne doit bloquer la batterie, nettoyez-la avec un chiffon ou une brosse souple et sèche.

- d) Ne pas maltraiter le cordon. Ne jamais utiliser le cordon pour porter, tirer ou débrancher l'outil. Maintenir le cordon à l'écart de la chaleur, du lubrifiant, des arêtes ou des parties en mouvement.** Des cordons endommagés ou emmêlés augmentent le risque de choc électrique.
- e) Lorsqu'on utilise un outil à l'extérieur, utiliser un prolongateur adapté à l'utilisation extérieure. L'utilisation d'un cordon adapté à l'utilisation extérieure réduit le risque de choc électrique.**
- f) Si l'usage d'un outil dans un emplacement humide est inévitable, utiliser une alimentation protégée par un dispositif à courant différentiel résiduel (DDR). L'usage d'un DDR réduit le risque de choc électrique.**

#### 3) Sécurité des personnes

- a) Restez vigilant, regardez ce que vous êtes en train de faire et faites preuve de bon sens dans votre utilisation de l'outil. Ne pas utiliser un outil lorsque vous êtes fatigué ou sous l'emprise de drogues, d'alcool ou de médicaments.** Un moment d'inattention au cours de l'utilisation d'un outil peut entraîner des blessures graves.
- b) Utiliser un équipement de sécurité. Toujours porter une protection pour les yeux.** Les équipements de sécurité tels que les masques contre les poussières, les chaussures de sécurité antidérapantes, les casques ou les protections acoustiques utilisés dans les conditions appropriées réduiront le risque de blessures.
- c) Éviter tout démarrage intempestif. S'assurer que l'interrupteur est en position arrêté avant de brancher l'outil au secteur et/ou au bloc de batteries, de le ramasser ou de le porter.** Porter les outils en ayant le doigt sur l'interrupteur ou brancher des outils dont l'interrupteur est en position marche est source d'accidents.
- d) Retirer toute clé de réglage avant de mettre l'outil en marche.** Une clé laissée fixée sur une partie tournante de l'outil peut entraîner des blessures.
- e) Ne pas se précipiter. Garder une position et un équilibre adaptés à tout moment.** Cela permet un meilleur contrôle de l'outil dans des situations inattendues.
- f) S'habiller de manière adaptée. Ne pas porter de vêtements amples ou de bijoux.** Garder les cheveux, les vêtements et les gants à distance des parties en mouvement. Des vêtements amples, des bijoux ou les cheveux longs peuvent être attrapés par des parties en mouvement.
- g) Si des dispositifs sont fournis pour le raccordement d'équipements pour l'extraction et la récupération des**

**poussières, s'assurer qu'ils sont connectés et correctement utilisés.** *Utiliser des collecteurs de poussière peut réduire les risques dus aux poussières.*

**h) Ne pas laisser les habitudes acquises au cours d'une utilisation fréquente des outils nous rendre complaisants et ignorer les principes de sécurité de l'outil.** *Une action imprudente peut entraîner des blessures graves en une fraction de seconde.*

**4) Utilisation et entretien de l'outil**

**a) Ne pas forcer l'outil. Utiliser l'outil adapté à votre application.** *L'outil adapté réalisera mieux le travail et de manière plus sûre au régime pour lequel il a été construit.*

**b) Ne pas utiliser l'outil si l'interrupteur ne permet pas de passer de l'état de marche à celui d'arrêt et vice versa.** *Tout outil qui ne peut pas être commandé par l'interrupteur est dangereux et doit être réparé.*

**c) Débrancher la fiche de la source d'alimentation secteur et/ou le bloc de batteries de l'outil avant tout réglage, changement d'accessoires ou avant de ranger l'outil.** *De telles mesures de sécurité préventives réduisent le risque de démarrage accidentel de l'outil.*

**d) Conserver les outils à l'arrêt hors de la portée des enfants et ne pas permettre à des personnes ne connaissant pas l'outil ou les présentes instructions de le faire fonctionner.** *Les outils sont dangereux entre les mains d'utilisateurs novices.*

**e) Observer la maintenance de l'outil. Vérifier qu'il n'y a pas de mauvais alignement ou de blocage des parties mobiles, des pièces cassées ou toute autre condition pouvant affecter le fonctionnement de l'outil. En cas de dommages, faire réparer l'outil avant de l'utiliser.** *De nombreux accidents sont dus à des outils mal entretenus.*

**f) Garder affûtés et propres les outils permettant de couper.** *Des outils destinés à couper correctement entretenus avec des pièces coupantes tranchantes sont moins susceptibles de rester bloqués et sont plus faciles à contrôler.*

**g) Utiliser l'outil, les accessoires et les lames etc., conformément à ces instructions, en tenant compte des conditions de travail et du travail à réaliser.** *L'utilisation de l'outil pour des opérations différentes de celles prévues pourrait donner lieu à des situations dangereuses.*

**h) Maintenir les poignées et les surfaces de préhension sèches, propres et exemptes d'huile et de graisse.** *Des poignées et surfaces de préhension glissantes ne permettent pas une manipulation et un contrôle de l'outil en toute sécurité en cas d'imprévu.*

**5) Utilisation des outils fonctionnant sur batteries et précautions d'emploi**

**a) Ne recharger qu'avec le chargeur spécifié**

**par le fabricant.** *Un chargeur qui est adapté à un type de bloc de batteries peut entraîner un risque d'incendie lorsqu'il est utilisé avec un autre type de bloc de batteries.*

**b) N'utiliser les outils qu'avec des blocs de batteries spécifiquement désignés.** *L'utilisation de tout autre bloc de batteries peut entraîner un risque de blessure et d'incendie.*

**c) Lorsqu'un bloc de batteries n'est pas utilisé, le maintenir à l'écart de tout autre objet métallique, par exemple trombones, pièces de monnaie, clés, clous, vis ou autres objets de petite taille qui peuvent donner lieu à une connexion d'une borne à une autre.** *Le court-circuitage des bornes d'une batterie entre elles peut causer des brûlures ou un incendie.*

**d) Dans de mauvaises conditions, du liquide peut être éjecté de la batterie; éviter tout contact. En cas de contact accidentel, nettoyer à l'eau. Si le liquide entre en contact avec les yeux, rechercher en plus une aide médicale.** *Le liquide éjecté des batteries peut causer des irritations ou des brûlures.*

**e) N'utilisez pas de batterie ou d'outil endommagé ou modifié.** *Des batteries endommagées ou modifiées peuvent se comporter de façon imprévisible et causer un incendie, une explosion ou un risque de blessure.*

**f) N'exposez pas une batterie ou un outil à un incendie ou à une température excessive.** *L'exposition à un incendie ou une température supérieure à 130 °C peut causer une explosion.*

**g) Suivez toutes les instructions de charge et ne rechargez pas la batterie ou l'outil en dehors de la plage de température spécifiée dans les instructions.** *Recharger la batterie de façon inappropriée ou en dehors de la plage de température spécifiée peut l'endommager et augmente le risque d'incendie.*

**6) Maintenance et entretien**

**a) Faire entretenir l'outil par un réparateur qualifié utilisant uniquement des pièces de rechange identiques.** *Cela assurera le maintien de la sécurité de l'outil.*

**b) Ne révisiez jamais de batteries endommagées.** *La révision de batteries doit uniquement être effectuée par le fabricant ou les prestataires de service autorisés.*

## AVERTISSEMENTS DE SÉCURITÉ CONCERNANT LA DÉBROUSSAILLEUSE ET COUPE-BORDURES

**a) N'utilisez pas la machine en cas d'intempéries, surtout lorsqu'il y a un risque de foudre.** *Vous minimisez ainsi le risque d'être frappé par la foudre.*

**b) Inspectez minutieusement la zone à la**

**recherche d'animaux sauvages où la machine doit être utilisée.** La faune peut être blessée par la machine pendant son fonctionnement.

- c) **Inspectez soigneusement la zone où la machine doit être utilisée et retirez toutes les pierres, morceaux de bois, fils de fer, os et autres corps étrangers.** Les objets projetés peuvent causer des blessures.
- d) **Avant d'utiliser la machine, effectuez toujours une inspection visuelle pour vous assurer que le couteau ou la lame et l'assemblage du couteau ou de la lame ne sont pas endommagés.** Les pièces endommagées augmentent le risque de blessure.
- e) **Suivez les instructions pour changer les accessoires.** Des écrous ou boulons de fixation de la lame mal serrés peuvent endommager la lame ou la détacher.
- f) **La vitesse de rotation nominale de la lame doit être au moins égale à la vitesse de rotation maximale indiquée sur la machine.** Les lames qui tournent plus vite que leur vitesse de rotation nominale peuvent se briser et voler en éclats.
- g) **Portez des protections pour les yeux, les oreilles, la tête et les mains.** Un équipement de protection adéquat permet de réduire les blessures causées par la projection de débris ou le contact accidentel avec le fil de coupe ou la lame.
- h) **Lors de l'utilisation de la machine, portez toujours des chaussures de sécurité. N'utilisez pas la machine lorsque vous êtes pieds nus ou que vous portez des sandales ouvertes.** Cela réduit les risques de blessures aux pieds en cas de contact avec un couteau, un fil ou une lame en mouvement.
- i) **Lors de l'utilisation de la machine, portez toujours un pantalon long.** Une peau exposée augmente le risque de blessures liées à des projectiles.
- j) **Tenir les spectateurs à l'écart pendant l'utilisation de la machine.** Les débris projetés peuvent entraîner des blessures graves.
- k) **Utilisez toujours les deux mains lorsque vous utilisez la machine.** Tenez la machine à deux mains évitera la perte de contrôle.
- l) **Tenez la machine uniquement par les surfaces de préhension isolées, car le fil de coupe ou la lame peut entrer en contact avec des câbles cachés.** Le fil de coupe ou les lames en contact avec un fil « sous tension » peuvent induire une « circulation de courant » dans les parties métalliques exposées de la machine et provoquer un choc électrique à l'opérateur.
- m) **Gardez toujours un bon équilibre et ne faites fonctionner la machine que si vous êtes debout sur le sol.** Les surfaces glissantes ou instables peuvent entraîner une perte d'équilibre ou de contrôle de la machine.
- n) **Ne faites pas fonctionner la machine sur des pentes excessivement raides.** Cela réduit le

risque de perte de contrôle, de glissade et de chute, qui peut entraîner des blessures.

- o) **Lorsque vous travaillez sur des pentes, assurez-vous toujours de bien vous tenir sur vos pieds, travaillez toujours en travers des pentes, jamais en haut ou en bas et faites preuve d'une extrême prudence lorsque vous changez de direction.** Cela réduit le risque de perte de contrôle, de glissade et de chute, qui peut entraîner des blessures.
- p) **Gardez toutes les parties du corps à l'écart de l'outil de coupe, du fil ou de la lame lorsque la machine fonctionne. Avant de démarrer la machine, assurez-vous que le couteau, le fil ou la lame n'est en contact avec rien.** Un moment d'inattention lors de l'utilisation de la machine peut entraîner des blessures pour vous-même ou pour d'autres personnes.
- q) **Ne pas utiliser la machine au-dessus de la hauteur de la taille.** Cela permet d'éviter tout contact involontaire avec le couteau ou la lame et de mieux contrôler la machine dans des situations inattendues.
- r) **Lorsque vous coupez des broussailles ou des jeunes arbres qui sont sous tension, faites attention au retour élastique.** Lorsque la tension des fibres du bois est relâchée, les broussailles ou le jeune arbre peut heurter l'opérateur et/ou rendre la machine incontrôlable.
- s) **Soyez extrêmement prudent lorsque vous coupez des broussailles et des jeunes arbres.** Le matériau mince peut attraper la lame et être fouetté vers vous ou vous déséquilibrer.
- t) **Gardez le contrôle de la machine et ne touchez pas les couteaux, les fils ou les lames et autres pièces mobiles dangereuses lorsqu'elles sont encore en mouvement.** Cela réduit le risque de blessures liées aux pièces mobiles.
- u) **Transportez la machine après l'avoir éteinte et loin de votre corps.** Une manipulation correcte de la machine réduira la probabilité d'un contact accidentel avec un couteau, un fil ou une lame en mouvement.
- v) **Lorsque vous transportez ou rangez la machine, mettez toujours le cache sur les lames métalliques.** Une manipulation correcte de la machine réduira la probabilité d'un contact accidentel avec la lame.
- w) **N'utilisez que les couteaux, fils, têtes de coupe et lames de rechange spécifiés par le fabricant.** Des pièces de rechange incorrectes peuvent augmenter le risque de casse et de blessure.
- x) **Lors du dégagement de matériau coincé ou de l'entretien de la machine, assurez-vous que l'interrupteur est éteint et que la batterie est retirée.** Un démarrage inattendu de la machine lors du dégagement d'un matériau bloqué ou lors de l'entretien peut entraîner des blessures graves.

# CAUSES POUVANT ENTRAÎNER UN REBOND DE LA LAME ET CONSIGNES DE PRUDENCE

Le rebond de la lame consiste en un mouvement soudain, latéral, vers l'avant ou de recul de la machine, pouvant se produire lorsque la lame se bloque ou bute contre un obstacle tel qu'un jeune arbre ou une souche. Ce mouvement peut être suffisamment violent pour projeter la machine et/ou l'utilisateur dans n'importe quelle direction et provoquer éventuellement une perte de contrôle de la machine.

Le rebond de lame et les risques en découlant peuvent être évités en prenant les précautions appropriées qui sont indiquées ci-dessous.

- a) Tenez fermement la machine des deux mains et positionnez vos bras de façon à résister au mouvement de rebond de la lame. Positionnez votre corps sur le côté gauche de la machine. Le rebond de la lame peut accroître les risques de blessure dus à un mouvement inattendu de la machine. *Les rebonds de la lame peuvent être maîtrisés par l'utilisateur si les précautions appropriées sont prises.*
- b) Si la lame se bloque ou si arrêtez le débroussaillage pour une raison quelconque, éteignez la machine et tenez-la immobile dans le matériau jusqu'à l'arrêt complet de la lame. Si la lame vient à se bloquer, n'essayez jamais de la dégager de la matière ou de tirer la machine vers l'arrière lorsque la lame tourne, au risque de provoquer un rebond de la lame. *Inspectez et prenez les mesures correctives qui s'imposent pour éliminer la cause du blocage de la lame.*
- c) N'utilisez pas de lames émoussées ou endommagées. *Les lames émoussées ou endommagées peuvent augmenter le risque de blocage ou de butée contre un obstacle, entraînant un effet de rebond de la lame.*
- d) Veillez à maintenir bien dégagé le lieu à débroussailler. *Un rebond de la lame est plus susceptible de se produire dans des zones où il est difficile d'apercevoir la matière à couper.*
- e) Si une personne s'approche de vous lorsque vous débroussailliez, éteignez la machine. *Il existe un risque accru de blessure pour d'autres personnes heurtées par la lame en mouvement en cas de rebond de cette dernière.*

de se court-circuiter entre elles ou au contact d'autres objets métalliques. Après usage, évitez tout contact de la batterie avec d'autres objets métalliques de petite taille (trombones, pièces, clés, clous, vis etc.) susceptibles de court-circuiter les pôles. Un court-circuit entre les pôles de la batterie peut être à l'origine de brûlures ou d'un incendie.

- c) La batterie ne doit pas être exposée au feu et à la chaleur. Évitez de la ranger à la lumière du soleil.
- d) La batterie et les piles ne doivent pas être soumises à des chocs mécaniques.
- e) En cas de fuite des piles, évitez tout contact du liquide avec la peau et les yeux. En cas de contact, rincez abondamment la surface touchée avec de l'eau et appelez les urgences.
- f) La batterie et les piles doivent rester propres et sèches.
- g) Si la batterie ou les piles se salissent, essuyez-les avec un chiffon propre et sec.
- h) La batterie et les piles doivent être chargées avant usage. Utilisez toujours le chargeur adéquat, et respectez les instructions du fabricant ou le mode d'emploi de l'appareil concernant la procédure de recharge.
- i) Évitez de laisser une batterie se charger pendant trop longtemps lorsqu'elle n'est pas utilisée.
- j) Après de longues périodes d'inutilisation, il peut être nécessaire de charger et décharger la batterie et les piles à plusieurs reprises avant que celles-ci ne retrouvent leur capacité maximale.
- k) N'utilisez pas d'autre chargeur que celui spécifié par Kress. N'utilisez pas d'autre chargeur que celui spécifiquement fourni avec l'appareil.
- l) N'utilisez en aucun cas une batterie autre que celle prévue pour cet appareil.
- m) La batterie doit être tenue hors de portée des enfants.
- n) Gardez la documentation d'origine du produit afin de pouvoir vous y référer ultérieurement.
- o) Enlevez la batterie de l'appareil lorsque vous ne l'utilisez pas.
- p) Respectez les procédures de mise au rebut.
- q) Ne pas mélanger des piles de fabrication, capacité, taille ou type différents dans un appareil.
- r) Protégez la batterie des micro-ondes et des hautes pressions.

## SÉCURITÉ DE LA BATTERIE MISES EN GARDE CONCERNANT LA BATTERIE

- a) La batterie et les piles secondaires ne doivent pas être ouvertes, démontées ou broyées.
- b) La batterie ne doit pas être court-circuitée. Évitez de mettre la batterie en vrac dans une boîte ou dans un tiroir où elles risqueraient

## CONDITIONS DU MANUEL D'UTILISATION POUR LES OUTILS SANS FIL

- a) Le fonctionnement de ce type d'appareil est soumis aux deux conditions suivantes:
  - (1) Cet appareil ne doit pas provoquer d'interférences préjudiciables, et

(2) Il doit accepter toute interférence reçue, y compris les interférences pouvant entraîner un mauvais fonctionnement.

- b) Attention: Les changements et modifications apportés à cet appareil et non expressément autorisés par la partie responsable de la compatibilité peuvent annuler le droit de l'utilisateur à faire fonctionner l'équipement.
- c) REMARQUE: Cet équipement génère, utilise et peut dégager de l'énergie de radiofréquence et, s'il n'est pas installé et utilisé conformément aux instructions du fabricant, peut provoquer des interférences préjudiciables aux communications radio. Il n'existe toutefois aucune garantie que des interférences ne se produiront pas dans une installation particulière. Si cet équipement entraîne des interférences préjudiciables à la réception des émissions radio ou de télévision, pouvant être identifiées en mettant l'équipement hors tension puis sous tension, il est recommandé que l'utilisateur tente de résoudre ce problème au moyen d'une ou plusieurs des mesures suivantes:
- En orientant différemment l'antenne réceptrice ou en la changeant de place.
  - En augmentant la distance séparant l'équipement du récepteur.
  - En connectant l'équipement à une prise sur un circuit différent de celui sur lequel est branché le récepteur.
  - En obtenant de l'aide auprès du revendeur ou d'un technicien radio/TV expérimenté.

F


## SYMBOLES

	Pour réduire le risque de blessure, l'utilisateur doit lire le mode d'emploi.
	Portez un casque avec une visière et des protège-oreilles.
	Portez des chaussures antidérapantes
	AVERTISSEMENT - La distance entre la machine et les personnes présentes doit être d'au moins 15 m (50 ft).
	AVERTISSEMENT - Attention aux objets projetés.

	AVERTISSEMENT - Méfiez-vous de le ricochet de la lame
	N'utilisez pas de lames métalliques.
	AVERTISSEMENT - Débranchez la batterie avant l'entretien.
	Portez des gants de protection
	Les déchets d'équipements électriques et électroniques ne doivent pas être déposés avec les ordures ménagères. Ils sont collectés pour être recyclés dans des centres spécialisés. Consultez les autorités locales ou votre revendeur pour obtenir des renseignements sur l'organisation de la collecte.
 Li-Ion 	Batterie Li-Ion Ce produit comporte un symbole de « Collecte séparée » de toutes les batteries. Il sera ensuite recyclé ou démantelé, afin de réduire l'impact sur l'environnement. Les batteries peuvent être dangereuses pour l'environnement et la santé humaine, car elles contiennent des substances dangereuses.
	Ne pas brûler
	Les batteries peuvent entrer dans le cycle de l'eau si elles sont éliminées de façon inappropriée, ce qui peut être dangereux pour l'écosystème. Ne pas éliminer les batteries usagées comme un déchet municipal non trié.
	Assurez-vous d'avoir retiré la batterie avant de changer les accessoires.
	Taillage



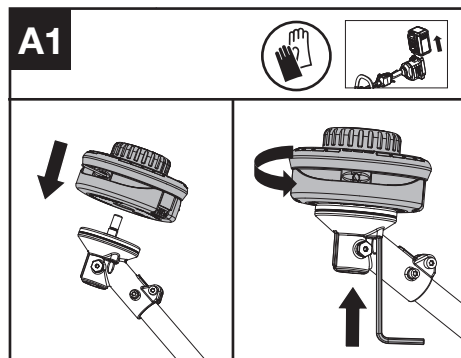
# ASSEMBLAGE ET FONCTIONNEMENT

 **Remarque:** Avant d'utiliser cet outil, lire attentivement le mode d'emploi.

 **AVANT D'UTILISER:**

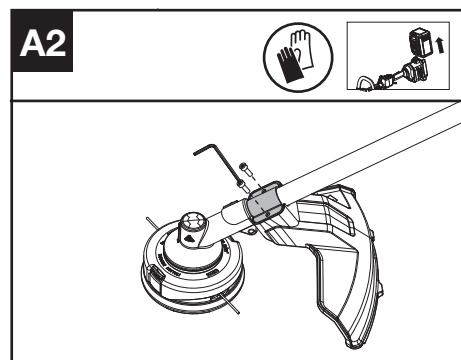
**Monter la tête de coupe. (voir Fig. A1)**

Monter la tête de coupe. Insérez la clé Allen dans le trou et faites tourner la tête de coupe jusqu'à ce qu'elle s'arrête en position bloquée.



**Montage de la protection anti-débris (voir Fig. A2)**

1. Installez la protection anti-débris afin qu'elle corresponde à la tête de coupe.
2. Fixez la protection en place à l'aide de la vis et de la clé Torx.

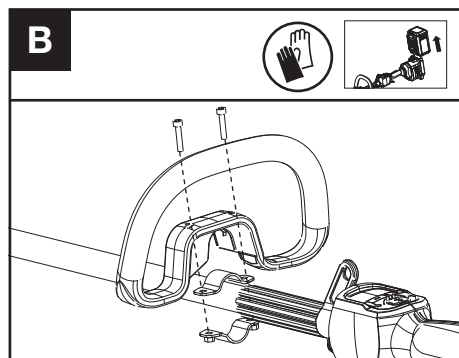


**Montage de la poignée avant (voir Fig. B)**

1. Fixez la poignée avant et la bride inférieure à l'arbre.
2. Insérez la vis dans les trous.
3. Serrez la poignée avant.

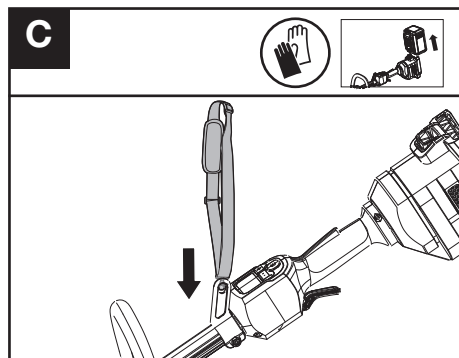
 **AVERTISSEMENT:** Ajustez la poignée avant comme vous le souhaitez afin de vous assurer que votre avant-bras soit droit lorsque vous

utilisez le coupe bordure.

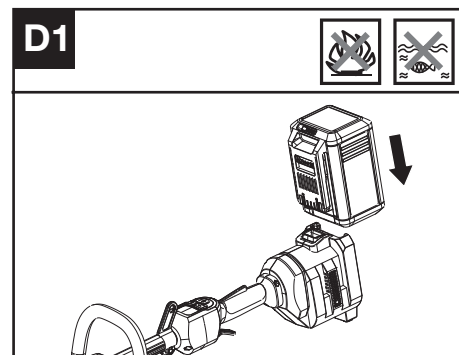


**Assemblage de la bandoulière (Vendue séparément) (Voir Fig. C)**

1. Ajustez la longueur de la bandoulière.
2. Fixez le passant de sangle d'épaule accessoire à l'endroit de montage sur l'arbre du coupe-bordure.



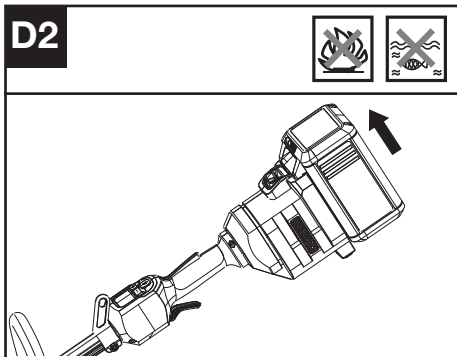
**Enlever Ou Installer La Batterie (Voir Fig. D1, D2)**



1. Glissez le bloc de batterie dans le compartiment de batterie.
2. Enfoncez la languette du bloc de batterie pour

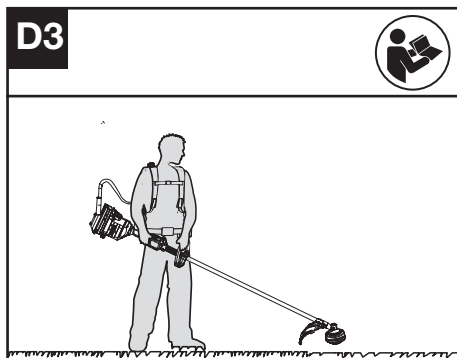
F

le dégager et faites-le glisser hors de votre perceuse.



### Raccordement au harnais dorsal (Voir Fig. D3)

Le coupe-bordure peut être raccordé à un harnais dorsal accessoire (non fourni). Reportez-vous au manuel du harnais dorsal pour de plus amples informations.

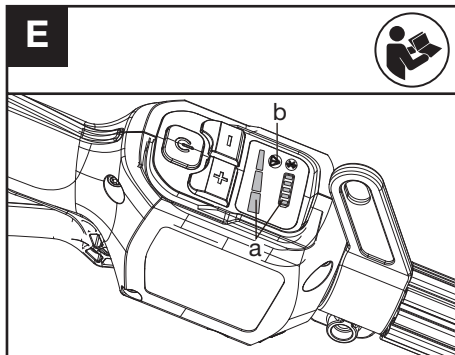


### TEST DU COUPE-BORDURE ET DE LA BATTERIE (VOIR FIG. E)

#### Vérification des boutons Bouton de présence de l'opérateur et manette des gaz (accélérateur)

1. Retirez la batterie.
2. Essayez d'appuyer sur la manette des gaz. Si la manette des gaz peut être enfoncée sans appuyer sur l'interrupteur de présence de l'opérateur, l'interrupteur de présence de l'opérateur est défectueux. Arrêtez d'utiliser le coupe-bordure et contactez l'agent de révision.
4. Maintenez et appuyez d'abord sur le bouton de présence de l'opérateur, puis appuyez sur la manette des gaz.
5. Relâchez la manette des gaz et le bouton de présence de l'opérateur. Si la manette des gaz ou l'interrupteur de présence de l'opérateur est bloqué et ne peut pas revenir à sa position d'origine. Arrêtez d'utiliser le coupe-bordure et

contactez l'agent de révision.



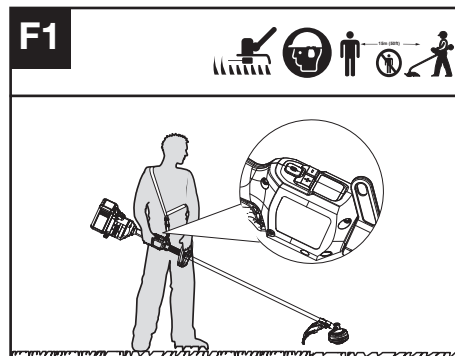
#### Vérification de l'écran

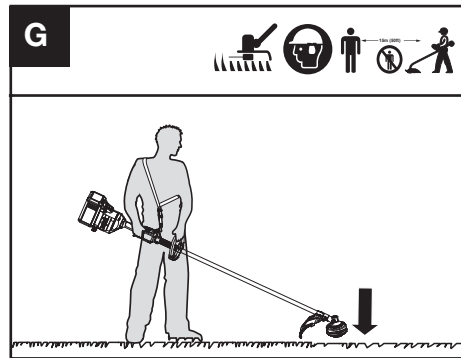
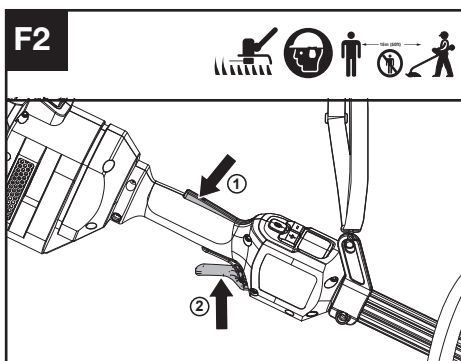
1. Insérez la batterie.
2. Maintenez appuyé l'interrupteur marche/arrêt. Le produit est allumé lorsque la LED (a) est allumée. Le produit est éteint lorsque la LED (a) est éteinte.
3. Commencez par appuyer sur le bouton de présence de l'opérateur, puis appuyez sur la manette des gaz pour démarrer la machine. La tête de coupe tourne.
4. Si le témoin d'avertissement (b) s'allume ou clignote, reportez-vous à **Dépannage** pour y trouver des solutions.
5. Relâchez la manette des gaz. La tête de coupe s'arrête de tourner après un court délai. Si la tête de coupe continue de tourner, retirez la batterie et contactez l'agent de révision.

#### FONCTIONNEMENT:

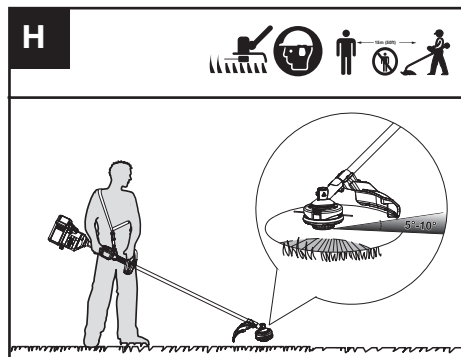
#### Démarrer le coupe-bordure (voir Fig. F1, F2)

1. Tenez le coupe-bordure fermement de la main droite sur la poignée de commande - placez votre pouce autour de la poignée de commande. Tenez le coupe-bordure de votre main gauche sur la poignée auxiliaire - enroulez votre pouce autour de la poignée.





### Conseils de coupe (voir Fig. H)



1. Faites pivoter la tondeuse d'un côté à l'autre de la zone à couper.
2. Utilisez l'extrémité de la ligne de coupe pour débroussailler ; n'appliquez pas la tête du coupe-bordure sur l'herbe non coupée.
3. Les fils et poteaux de clôtures peuvent accélérer l'usure voire endommager la ligne de coupe. Les murs de pierres et de briques, les trottoirs et le bois peuvent accélérer l'usure de la ligne de coupe.
4. Évitez les arbres et les buissons. L'écorce d'arbre, le bois moisi, les poteaux de clôture, les bardages peuvent facilement endommager la ligne de coupe.
5. Le niveau de puissance sélectionné affecte l'autonomie de la batterie. Plus le niveau de puissance est faible, plus la durée d'utilisation est longue. Il est recommandé d'utiliser le niveau de puissance le plus bas, sauf dans les pires conditions de coupe.

### Pour les outils à batterie

La plage de températures ambiantes recommandée de décharge est de  $-20^{\circ}\text{C}$ ~ $45^{\circ}\text{C}$  ( $-4^{\circ}\text{F}$ ~ $113^{\circ}\text{F}$ ).  
La plage de température ambiante recommandée pour le système de recharge au cours de la charge est  $-5^{\circ}\text{C}$ ~ $45^{\circ}\text{C}$  ( $23^{\circ}\text{F}$ ~ $113^{\circ}\text{F}$ ).

F2



G



2. Maintenez appuyé l'interrupteur marche/arrêt jusqu'à ce que la LED verte s'allume. La LED verte indique le niveau de puissance.
3. Commencez par appuyer sur le bouton de présence de l'opérateur, puis appuyez sur la manette des gaz pour démarrer la machine. La LED verte de marche/arrêt s'éteint au bout de 5 secondes si elle n'est pas utilisée comme procédure de sécurité. Lorsqu'il ne coupe pas, l'appareil reste allumé si l'interrupteur de présence de l'opérateur est maintenu enfoncé sans faire fonctionner la machine. Si la LED verte s'éteint, le produit devra être redémarré.

**REMARQUE:** L'interrupteur de présence de l'opérateur est conçu pour empêcher tout fonctionnement accidentel. Lorsque vous appuyez sur le bouton de présence de l'opérateur, la manette des gaz est relâchée.

### Sélection de la vitesse

Selon le type d'usage, 3 niveaux de puissance peuvent être réglés. Utilisez les +/- pour contrôler la vitesse. Les LED indiquent le niveau de vitesse sélectionné. Plus le niveau de puissance est élevé, plus l'accessoire de coupe peut fonctionner rapidement.

### Arrêt du coupe-bordure

Relâchez la manette des gaz pour arrêter la machine.

**AVERTISSEMENT!** La tête de coupe continue de tourner après que le coupe-gazon a été éteint; attendez qu'il soit arrêté pour reposer l'outil.

### Système d'alimentation brutale linéaire (Voir Fig. G)

La tondeuse est équipée d'un système d'alimentation brutale linéaire. Il suffit de cogner la tête de coupe lorsque la machine est en marche, une nouvelle ligne sortira.

F

# TRANSPORT

## Transport du coupe-bordure

1. Éteignez le coupe-bordure et retirez la batterie.
2. Lorsque vous transportez le coupe-bordure manuellement, tenez-le par le centre de l'arbre, la tête de coupe à l'arrière, pour vous assurer que la machine est parallèle au sol.
3. Lorsque vous transportez votre coupe-bordure à l'aide d'un véhicule, placez-le de manière à éviter qu'il ne se renverse ou ne soit endommagé.

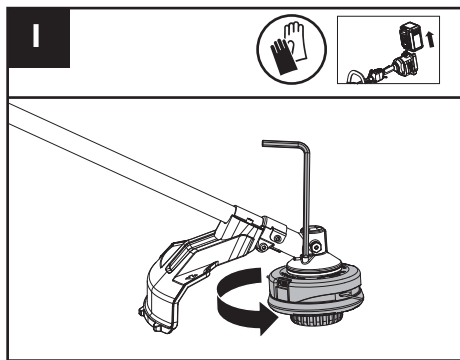
## Transport de la batterie

1. Assurez-vous que la batterie demeure en bon état.
2. Utilisez un emballage non conducteur lors du transport de la batterie.
3. Les batteries Li-Ion contenues sont soumises aux prescriptions de la législation sur les marchandises dangereuses.  
Ne transportez les batteries que lorsque le boîtier de la batterie n'est pas endommagé. Emballez les piles de manière à ce qu'elles ne puissent pas se déplacer dans l'emballage.

# ENTRETIEN

**!** Retirez toujours la batterie de votre taille-bordures après chaque utilisation.

Remplacement de la tête de coupe (voir Fig. I)



**!** **AVERTISSEMENT!** L'utilisation d'un fil en fer ou renforcé par du métal n'est pas autorisée et pourrait être extrêmement dangereuse. N'utilisez que le fil de coupe recommandé dans ce manuel, en combinaison avec la protection anti-débris recommandée.

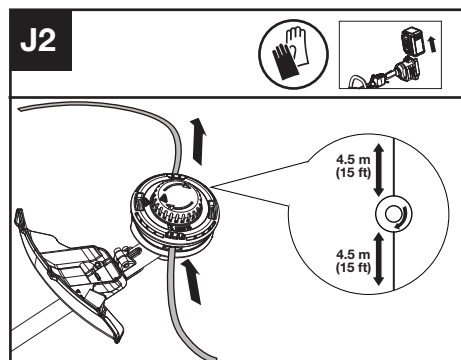
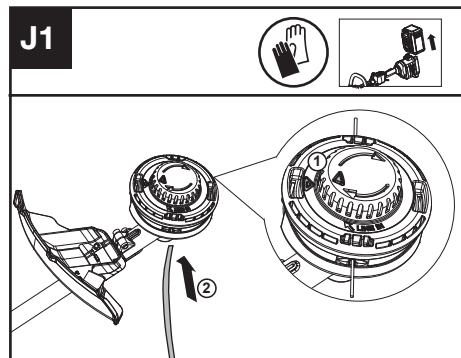
**!** **AVERTISSEMENT!** Une tête d'accessoire de coupe endommagée ou desserrée peut vibrer, se fissurer, se casser ou se détacher du coupe-bordure, ce qui peut entraîner des blessures graves ou mortelles, ou des dommages matériels. Assurez-vous que la tête de coupe est

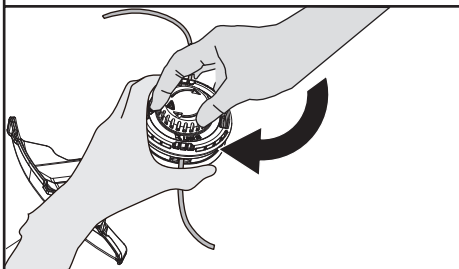
correctement et solidement serrée et en bon état avant de commencer le travail.

1. Insérez la clé Allen dans le trou et faites tourner la tête de coupe jusqu'à ce qu'elle s'arrête en position bloquée.
2. Puis tournez dans le sens des aiguilles d'une montre pour la retirer, et dans le sens contraire pour la fixer.

## Enroulement de la ligne de coupe (Voir Fig. J1, J2, J3)

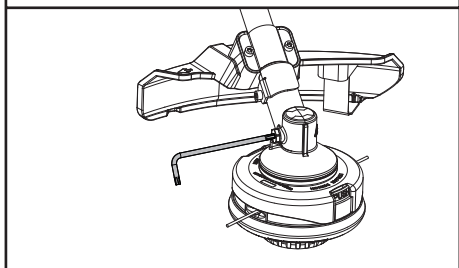
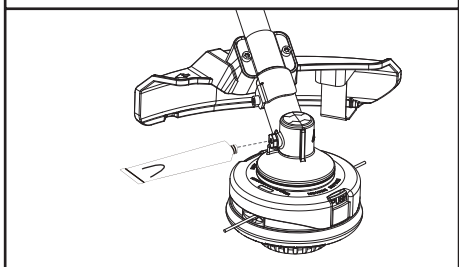
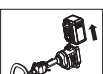
1. Faites pivoter le couvercle de la bobine pour aligner deux icônes triangulaires. (Voir Fig. J1)
2. Insérez le fil de recharge dans l'œillet (Line In) et faites-le sortir par l'autre œillet. Assurez-vous que les deux extrémités du fil soient de même longueur à chaque extrémité de la tête de coupe (4.5 m recommandés) et coupez le fil. (Voir Fig. J2)
3. Tournez le cadran dans le sens des aiguilles d'une montre pour enrouler le fil autour de la bobine jusqu'à ce qu'il reste environ 16 cm de chaque côté. (Voir Fig. J3)



**J3**

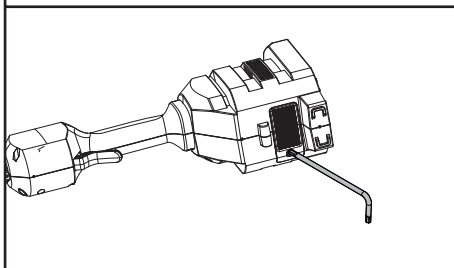
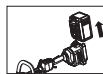
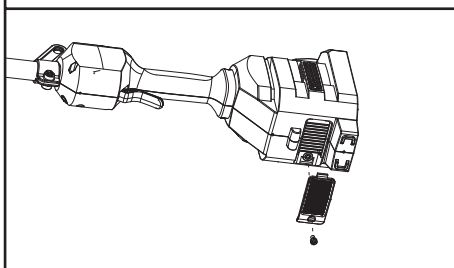
### Lubrification de la boîte de vitesses (voir Fig. K1, K2)

1. Retirez la vis de la boîte de vitesses.
2. S'il n'y a pas de graisse pour pignon conique à l'extrémité de la vis, faites sortir 5 g de graisse (SHELL Gadus S2 V220 1) pour engrenage dans le carter d'engrenages.
3. Remontez et serrez fermement la vis.
4. Installez la batterie et faites fonctionner le coupe-bordure pendant 1 minute pour vous assurer que l'engrenage soit uniformément lubrifié.

**K1****K2**

### Nettoyage du filtre à air (voir Fig. L1, L2)

1. Nettoyez la zone autour du filtre à air. Utilisez un chiffon humide ou une brosse douce.
2. Dévissez et retirez le filtre à air.
3. Lavez le filtre à air à l'eau courante pour enlever la saleté.
4. Laissez le filtre à air sécher à l'air. Puis installez-le dans le boîtier en serrant la vis.

**L1****L2**

### Fréquences d'entretien

Il est recommandé de lubrifier la boîte de vitesses et de nettoyer le filtre à air toutes les 50 heures de service et cela en fonction de l'utilisation réelle.

## NETTOYAGE

1. Éteignez le coupe-bordure et retirez la batterie.
2. Ne pas utiliser de produits détergents agressifs ni de solvants. Nettoyez la machine après utilisation avec un chiffon humide imbibé d'un détergent neutre.
3. Aucun corps étranger ne doit bloquer la prise ; nettoyez-la avec un chiffon ou une brosse souple et sèche.
4. N'aspergez pas d'eau sur le moteur et les composants électriques.
5. N'utilisez pas d'eau sous pression pour nettoyer la machine.

# STOCKAGE

1. Retirez le bloc de batterie du taille-bordure avant de le ranger.
2. Si elles sont mouillées par la pluie pendant l'utilisation, la machine et la batterie devraient être séchées avant rangement ou mise en charge. Retirez la batterie et réinsérez-la si la machine ne s'allume pas.
3. Rangez le taille-bordure dans un endroit sec et sécurisé inaccessible aux enfants ou aux personnes non autorisées.  
Retirez l'accessoire de coupe si vous ne comptez pas l'utiliser avant un bon moment.
4. Stockez la batterie uniquement dans une plage de températures comprise entre 5 °C (41 °F) et 25 °C (77 °F). Par exemple, ne laissez pas la batterie dans la voiture en été.

# GUIDE DE DÉPANNAGE

Le tableau suivant présente des problèmes et des actions que vous pouvez effectuer si votre machine ne fonctionne pas correctement.



**Attention: Mettez la machine hors tension et retirez la batterie avant tout dépannage.**

## COUPE-BORDURE


Problèmes	Causes possibles	Solutions
Indicateur de batterie LED clignotant	Tension de batterie faible.	Chargez la batterie.
Voyant de dysfonctionnement rouge clignotant	Surcharge.	L'accessoire de coupe est coincé. Éteignez la machine. Retirez la batterie. Retirez de l'accessoire de coupe tous matériaux indésirables.
	Problème de température.	Laissez refroidir le produit.
	La manette des gaz et le bouton marche/arrêt sont enfoncés en même temps.	Relâchez la manette des gaz. Rallumez la machine.
	Autres problèmes	Contactez le réparateur
Le produit ne démarre pas	Débris au niveau des fiches de la batterie.	Nettoyez les fiches de la batterie avec de l'air comprimé ou une brosse douce.
	Autres problèmes	Contactez le réparateur.
Le coupe-bordure fonctionne par intermittence	La batterie n'est pas complètement insérée dans la machine.	Insérez la batterie entièrement.
	Problème électrique potentiel.	Contactez le réparateur.
Vibrations ou bruits excessifs.	Problème d'équilibre du fil.	Rembobinez le fil.
	Problème d'accessoire de coupe. Machine défectueuse.	Remplacez l'accessoire de coupe. Contactez le réparateur.

## BATTERIE

Problèmes	Causes possibles	Solutions
Voyant de dysfonctionnement allumé	La batterie est déchargée	Chargez la batterie. Si la batterie ne se charge pas, contactez votre agent de révision.
	Problème de température.	Utilisez la batterie dans un environnement où les températures sont comprises entre -5 °C et 45 °C (23 °F à 113 °F) pour la charge ; -20 °C à 45 °C (-4°F à 113 °F) pour la décharge.
	Autres	Contactez le réparateur

# CARACTÉRISTIQUES TECHNIQUES

Modèle: **KC100 KC100.X** (1-désignations des pièces, illustration du coupe-herbe sans fil)

	<b>KC100 KC100.X **</b>
Tension	60 V  MAX ***
Vitesse de coupe	4200 / 5100 / 5900 rpm
Diamètre de coupe	42 cm (16.5")
Diamètre du fil	2.4 / 2.7 mm (0.095" / 0.105") fil de nylon
Degré de protection	IPX4
Machine Weight (Bare tool)	4.5 kg (9.9 lbs)

\*\* X = 1-999 ,A-Z , M1-M9, la seule différence entre ces modèles est que les clients visés sont différents. Il n'y a pas de changement concernant la sécurité.

\*\*\* Tension mesurée sans charge. La tension de la batterie initiale atteint un maximum de 60 volts. La tension nominale est de 54 volts.

## BATTERIES ET CHARGEURS CONSEILLÉS

Batterie	Capacité	Chargeur	Amperage
KAC804	4.0 Ah	KAC840	30 A
KAC810 (Avec harnais dorsal)	11.0 Ah		

Nous vous recommandons d'acheter vos accessoires auprès du même revendeur que celui qui vous a vendu l'outil. Reportez-vous à l'emballage des accessoires pour plus de détails. Votre revendeur peut vous aider et vous conseiller.

F

## CARACTÉRISTIQUES TECHNIQUES DU BLOC DE BATTERIE (EN OPTION)

Bandes de fréquences pour Bluetooth	2400-2483.5 MHz
Puissance d'émission maximale pour Bluetooth	8 dBm

## COMBINAISONS D'ACCESSOIRES DE COUPE, DÉFLECTEURS ET SYSTÈMES DE PORT

Accessoire de coupe	Protection anti-débris	Barre barrière	Système de transport
- Tête de coupe 4" (en option, non incluse) - Tête de coupe 5"	- Déflecteur haute visibilité - Déflecteur universel avec jupe	- Optionnel	- Sangle d'épaule - Harnais de batterie dorsale
- Lame de couteau	- Déflecteur universel avec jupe	- Requis	

## INFORMATIONS RELATIVES AU BRUIT

Niveau de pression acoustique  $L_{pA} = 79.7$  dB(A)

$K_{pA}$  3 dB(A)

Niveau de puissance acoustique  $L_{wA} = 94.94$  dB(A)

$K_{wA}$  0.59 dB(A)

**Porter des protections auditives.**



## INFORMATIONS RELATIVES AUX VIBRATIONS

Valeur de vibration mesurée  $a_n = 2,45$  m/s<sup>2</sup>

Incertitude  $K = 3$  m/s<sup>2</sup>

**AVERTISSEMENT:** La valeur d'émission de vibrations pendant l'utilisation réelle de l'outil électrique peut différer de la valeur déclarée selon la manière dont l'outil est utilisé, selon les exemples suivants et d'autres variations sur la manière dont l'outil est utilisé:

Comment l'outil est utilisé et quels matériaux sont coupés ou percés.

L'outil est en bon état et bien entretenu.

L'utilisation du bon accessoire pour l'outil et l'assurance qu'il est affûté et en bon état.

La bonne tenue des poignées et, le cas échéant, les accessoires anti-vibrations utilisés.

L'outil est utilisé comme prévu dans sa conception et dans le présent mode d'emploi.

**Cet outil peut causer un syndrome des vibrations main-bras s'il n'est pas correctement géré.**

**AVERTISSEMENT:** Pour être précise, une évaluation du niveau d'exposition en conditions réelles d'utilisation doit également tenir compte de toutes les parties du cycle d'utilisation telles que les moments où l'outil est éteint, et ceux où il fonctionne au ralenti mais ne réalise pas réellement de tâche. Ceci peut réduire de manière significative le niveau d'exposition et la durée d'utilisation totale.

Afin de minimiser le risque d'exposition aux vibrations: Utilisez TOUJOURS des burins, des forets et des lames affûtés.

Entretenez cet outil de manière conforme au mode d'emploi et maintenez-le lubrifié (le cas échéant).

Si l'outil doit être utilisé régulièrement, investissez dans des accessoires anti-vibrations.

Planifiez votre travail pour étaler l'utilisation des outils à forte vibration sur plusieurs jours.

## PROTECTION DE L'ENVIRONNEMENT

Les déchets d'équipements électriques et électroniques ne doivent pas être déposés avec les ordures ménagères. Ils sont collectés

pour être recyclés dans des centres spécialisés. Consultez les autorités locales ou votre revendeur pour obtenir des renseignements sur l'organisation de la collecte.

## DECLARATION DE CONFORMITE

NOUS

Positec Germany GmbH

Postfach 32 02 16, 50796 Cologne, Germany

Positec déclare que le produit

Description **Coupe-herbe sans fil**

Modèle **KC100 KC100.X (1-désignations des**

**pièces, illustration du coupe-herbe sans fil)**

Fonction **coupe de gazon et autre végétation légère, et pour la taille de bordures de gazon**

Est conforme aux directives suivantes,

**2006/42/EC, 2014/30/EU**

**2011/65/EU&(EU)2015/863**

**2000/14/EC amendée par 2005/88/EC**

2000/14/EC amendée par 2005/88/EC:

- Procédure d'évaluation de la conformité

conformément à **Annex VI**

- Niveau de pression acoustique **94.94 dB (A)**

- Niveau d'intensité acoustique **96 dB (A)**

Notification réalisée par

Nom: **Intertek Deutschland GmbH (Organisme notifié 0905)**

Adresse: **Stangenstraße 1, 70771 LEINFELDEN-ECHTERDINGEN**

Et conforme aux normes,

**EN 62841-1, FprEN IEC**

**62841-4-4:2020+FprAA:2021-02, EN 62233,**

**EN ISO 3744, EN IEC 55014-1, EN IEC 55014-2**

La personne autorisée à compiler le dossier technique,

Nom

**Marcel Filz**

Adresse

**Positec Germany GmbH**

**Postfach 32 02 16, 50796 Cologne, Germany**



2022/12/5

Allen Ding

Ingénieur en chef adjoint, Essais & Certification

Positec Technology (China) Co., Ltd

18, Dongwang Road, Suzhou Industrial

Park, Jiangsu 215123, P. R. China



# INDICE

Introduzione.....	49
Elenco componenti.....	50
Sicurezza del prodotto.....	51
Assemblaggio e funzionamento.....	56
Trasporto.....	59
Manutenzione .....	59
Pulizia.....	60
Conservazione.....	61
Risoluzione dei problemi.....	61
Dati tecnici.....	62
Tutela ambientale.....	63
Dichiarazione di conformità.....	63

## INTRODUZIONE

Gentile Cliente,

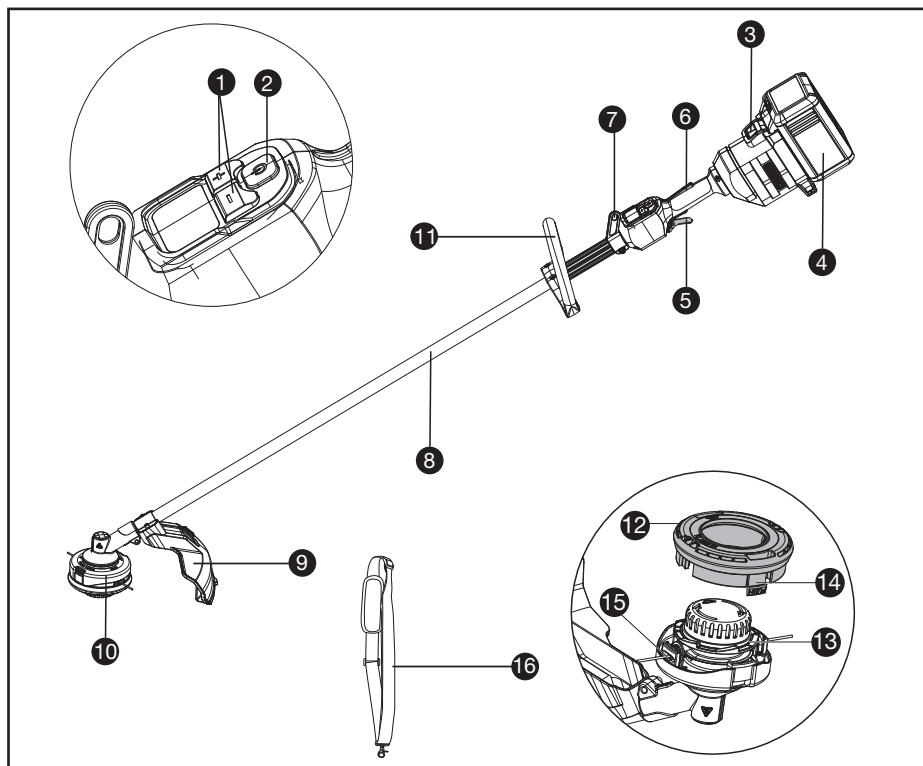
Grazie per aver acquistato questo prodotto Kress Commercial. Ci dedichiamo allo sviluppo di prodotti di alta qualità per soddisfare le vostre esigenze relative alla progettazione dei giardini.

Il marchio Kress è sinonimo di un servizio di prima qualità. Se avete domande o dubbi, per tutta la durata di utilizzo dei prodotti, nel corso degli anni, vi preghiamo di contattare il rivenditore presso il quale avete acquistato il prodotto, o il nostro Servizio clienti per ricevere assistenza.

Siamo sicuri che le piacerà lavorare con il suo prodotto Kress per gli anni a venire.

## USO CONFORME ALLE NORME

Questa macchina è destinata al taglio dell'erba e delle erbacce alte che non possono essere raggiunte con un tosaerba. Questa macchina viene utilizzata anche su aree con pendenze non favorevoli al taglio.



## ELEMENTI DELL'APPARECCHIO

- |     |   |
|-----|---|
| 1.  | CONTROLLO DELLA VELOCITA'               |
| 2.  | INTERRUTTORE ON/OFF                     |
| 3.  | SERRATURA A SCATTO UNITÀ BATTERIA       |
| 4.  | UNITÀ BATTERIA *                        |
| 5.  | GRILLETTO DELL'ACCELERATORE             |
| 6.  | INTERRUTTORE DI PRESENZA DELL'OPERATORE |
| 7.  | SUPPORTO PER TRACOLLA                   |
| 8.  | ALBERO                                  |
| 9.  | PROTEZIONE ANTI-DETRITI                 |
| 10. | TESTA DI TAGLIO                         |
| 11. | MANIGLIA ANTERIORE                      |
| 12. | COPRI BOBINA                            |
| 13. | BOBINA                                  |
| 14. | CHIUSURA DI RILASCIO DEL CAPPuccio      |
| 15. | OCCHIELLO                               |
| 16. | TRACOLLA *                              |

\* Accessori illustrati o descritti non fanno necessariamente parte del volume di consegna.

# ISTRUZIONI ORIGINALI AVVISI GENERALI PER LA SICUREZZA E PER LA SICUREZZA DEGLI UTENSILI A MOTORE



**AVVERTENZA:** Leggere tutte le avvertenze di sicurezza, le istruzioni, le illustrazioni e le specifiche fornite con questo elettro utensile. La mancata osservanza delle istruzioni elencate di seguito potrebbe provocare una scossa elettrica, un incendio e/o lesioni gravi.

Conservare tutti gli avvisi e le istruzioni per poterle consultare quando necessario.

Il termine qui di seguito utilizzato «utensile elettrico» si riferisce ad utensili elettrici alimentati dalla rete (con linea di allacciamento), nonché ad utensili elettrici alimentati a pila (senza linea di allacciamento).

## 1) Posto di lavoro

- a) **Mantenere pulito ed ordinato il posto di lavoro.** Il disordine e le zone di lavoro non illuminate possono essere fonte di incidenti.
- b) **Evitare d'impiegare l'utensile in ambienti soggetti al rischio di esplosioni nei quali si trovino liquidi, gas o polveri infiammabili.** Gli utensili elettrici producono scintille che possono far infiammare la polvere o i gas.
- c) **Mantenere lontani i bambini ed altre persone durante l'impiego dell'utensile elettrico.** Eventuali distrazioni potranno comportare la perdita del controllo sull'utensile.

## 2) Sicurezza elettrica

- a) **La spina per la presa di corrente dovrà essere adatta alla presa.** Evitare assolutamente di apportare modifiche alla spina. Non impiegare spine adattatrici assieme ad utensili con collegamento a terra. *Le spine non modificate e le prese adatte allo scopo riducono il rischio di scosse elettriche.*
- b) **Evitare il contatto fisico con superfici collegate a terra, come tubi, riscaldamenti, cucine elettriche e frigoriferi.** *Sussiste un maggior rischio di scosse elettriche nel momento in cui il corpo è messo a massa.*
- c) **Non utilizzare la macchina in condizioni di pioggia o umidità.** Questo potrebbe aumentare il rischio di scosse elettriche. *Una volta bagnata dalla pioggia durante il funzionamento, la macchina e la batteria devono essere asciugate prima di riporle o caricarle. Rimuovere la batteria e reinserirla se la macchina non si accende. Mantenere il collegamento della batteria libero da sporcizia e detriti e pulirlo con una spazzola o un panno morbido e asciutto.*
- d) **Non usare il cavo per scopi diversi da quelli previsti al fine di trasportare o appendere l'apparecchio, oppure di togliere la spina**

dalla presa di corrente. **Mantenere l'utensile al riparo da fonti di calore, dall'olio, dagli spigoli o da parti di strumenti in movimento.** *I cavi danneggiati o aggrovigliati aumentano il rischio d'insorgenza di scosse elettriche.*

- e) **Qualora si voglia usare l'utensile all'aperto, impiegare solo ed esclusivamente cavi di prolunga omologati per l'impiego all'esterno.** *L'uso di un cavo di prolunga omologato per l'impiego all'esterno riduce il rischio d'insorgenza di scosse elettriche.*
  - f) **Se si deve utilizzare l'utensile a motore in un luogo umido, utilizzare una fonte di alimentazione con protezione a corrente residua.** *L'uso di un dispositivo a corrente residua reduce il rischio di folgorazioni elettriche.*
- ## 3) Sicurezza delle persone
- a) **È importante concentrarsi su ciò che si sta facendo e a maneggiare con giudizio l'utensile elettrico durante le operazioni di lavoro.** *Non utilizzare l'utensile in caso di stanchezza o sotto l'effetto di droghe, bevande alcoliche e medicinali. Un attimo di distrazione durante l'uso dell'utensile potrà causare lesioni gravi.*
  - b) **Indossare sempre equipaggiamento protettivo individuale, nonché guanti protettivi.** *Se si avrà cura d'indossare equipaggiamento protettivo individuale come la maschera antipolvere, la calzatura antisdrucciolevole di sicurezza, il casco protettivo o la protezione dell'udito, a seconda dell'impiego previsto per l'utensile elettrico, si potrà ridurre il rischio di ferite.*
  - c) **Evitare avviamenti involontari. Controllare che l'interruttore sia nella posizione off prima di effettuare il collegamento a una sorgente di alimentazione/batteria, e prima di sollevare o trasportare l'utensile.** *Il fatto di tenere il dito sopra all'interruttore o di collegare l'utensile acceso all'alimentazione di corrente potrà essere causa di incidenti.*
  - d) **Togliere gli attrezzi di regolazione o la chiave inglese prima di accendere l'utensile.** *Un utensile o una chiave inglese che si trovino in una parte di strumento in rotazione potranno causare lesioni.*
  - e) **È importante non sopravvalutarsi. Avere curadi mettersi in posizione sicura e di mantenere l'equilibrio.** *In tale maniera sarà possibile controllare meglio l'apparecchio in situazioni inaspettate.*
  - f) **Indossare indumenti adeguati. Evitare di indossare vestiti non aderenti o gioielli.** **Tenere i capelli e gli indumenti lontani dalle parti mobili.** *Vestiti lenti, gioielli o capelli lunghi potranno impigliarsi in pezzi in movimento.*
  - g) **Se sussiste la possibilità di montare dispositivi di aspirazione o di captazione della polvere, assicurarsi che gli stessi siano stati installati correttamente e vengano utilizzati senza errori.** *L'impiego dei suddetti*

dispositivi diminuisce il pericolo rappresentato dalla polvere.

- h) **Non lasciare che la familiarità acquisita con l'utilizzo frequente dell'elettrotensile si trasformi in autocompiacimento e trascuratezza dei principi di sicurezza.** Un'azione imprudente può causare lesioni gravi entro una frazione di secondo.
- 4) **Maneggio ed impiego accurato di utensili elettrici**
- a) **Non sovraccaricare l'utensile.** Impiegare l'utensile elettrico adatto per svolgere il lavoro. Utilizzando l'utensile elettrico adatto si potrà lavorare meglio e con maggior sicurezza nell'ambito della gamma di potenza indicata.
- b) **Non utilizzare utensili elettrici con interruttori difettosi.** Un utensile elettrico che non si può più accendere o spegnere è pericoloso e dovrà essere riparato.
- c) **Scollare la spina dalla sorgente di alimentazione e/o la batteria dall'utensile prima di effettuare regolazione, cambiare accessori, o riporre gli utensili a motore.** Tale precauzione eviterà che l'apparecchio possa essere messo in funzione inavvertitamente.
- d) **Custodire gli utensili elettrici non utilizzati al di fuori della portata dei bambini.** Non fare usare l'apparecchio a persone che non sono abituate ad usarlo o che non abbiano letto le presenti istruzioni. Gli utensili elettrici sono pericolosi se utilizzati da persone inesperte.
- e) **Effettuare accuratamente la manutenzione dell'apparecchio.** Verificare che le parti mobili dello strumento funzionino perfettamente e non s'inceppino, che non ci siano pezzi rotti o danneggiati al punto tale da limitare la funzione dell'apparecchio stesso. Far riparare le parti danneggiate prima d'impiegare l'apparecchio. Numerosi incidenti vengono causati da utensili elettrici la cui manutenzione è stata effettuata poco accuratamente.
- f) **Mantenere affilati e puliti gli utensili da taglio.** Gli utensili da taglio curati con particolare attenzione e con taglienti affilati s'inceppano meno frequentemente e sono più facili da condurre.
- g) **Utilizzare utensili elettrici, accessori, attrezzi, ecc. in conformità con le presenti istruzioni e secondo quanto previsto per questo tipo specifico di apparecchio.** Osservare le condizioni di lavoro ed il lavoro da eseguirsi durante l'impiego. L'impiego di utensili elettrici per usi diversi da quelli consentiti potrà dar luogo a situazioni di pericolo.
- h) **Mantenere le impugnature e le superfici di presa asciutte, pulite e prive di olio e grasso.** Le impugnature e le superfici di presa scivolose non permettono l'uso e il controllo sicuri dell'elettrotensile in situazioni impreviste.
- 5) **Maneggio ed impiego accurato di**
- accumulatori.**
- a) **Caricare l'accumulatore solo ed esclusivamente nei dispositivi di carica consigliati dal produttore.** Per un dispositivo di carica previsto per un determinato tipo di accumulatore, sussiste pericolo di incendio, se utilizzato con un accumulatore di tipo diverso.
- b) **Utilizzare negli utensili elettrici solo ed esclusivamente gli accumulatori previsti allo scopo.** L'uso di accumulatori di tipo diverso potrà dare insorgenza a lesioni e comportare il rischio d'incendi.
- c) **Tenere l'accumulatore non utilizzato lontano da graffette, monete, chiavi, chiodi, viti o da altri oggetti in metallo di piccole dimensioni che potrebbero causare un ponte tra i contatti.** Un eventuale corto circuito tra i contatti dell'accumulatore potrà dare origine a bruciature o ad incendi.
- d) **In caso di impiego sbagliato, potranno insorgere fuoriuscite di liquido dall'accumulatore.** Evitarne il contatto. In caso di contatto casuale, sciacquare con acqua. Qualora il liquido dovesse entrare in contatto con gli occhi, chiedere immediato consiglio al medico. Il liquido fuoriuscito dall'accumulatore potrà causare irritazioni cutanee o bruciature.
- e) **Non utilizzare una batteria o un elettrotensile danneggiati o modificati.** Le batterie danneggiate o modificate potrebbero manifestare un comportamento imprevedibile con la possibilità di causare un'esplosione o un incendio.
- f) **Non esporre una batteria o un utensile al fuoco o a temperature elevate.** L'esposizione al fuoco o a una temperatura superiore a 130 °C potrebbe provocare un'esplosione.
- g) **Seguire tutte le istruzioni per la carica e non caricare la batteria o l'elettrotensile a una temperatura che non rientri nell'intervallo di valori specificato nelle istruzioni.** Una ricarica effettuata in maniera scorretta o a una temperatura che non rientra nell'intervallo di valori specificato, potrebbe danneggiare la batteria aumentando il rischio d'incendio.
- 6) **Assistenza**
- a) **Fare riparare l'apparecchio solo ed esclusivamente da personale specializzato e solo impiegando pezzi di ricambio originali.** In tale maniera potrà essere salvaguardata la sicurezza dell'apparecchio.
- b) **Non riparare le batterie danneggiate.** Gli interventi di riparazione sulle batterie devono essere eseguiti dal costruttore o da fornitori di assistenza autorizzati.

## **AVVERTENZE DI SICUREZZA PER DECESPUGIATORI E TAGLIASIEPI**

- a) **Non utilizzare la macchina in condizioni atmosferiche avverse, soprattutto quando c'è il rischio di fulmini.** Questo ridurrà il rischio di venire colpiti da un fulmine.
- b) **Ispezionare accuratamente l'area in cui si deve utilizzare la macchina per individuare la presenza di eventuali animali selvatici.** Gli animali selvatici potrebbero restare feriti durante il funzionamento della macchina.
- c) **Ispezionare accuratamente l'area in cui si deve utilizzare la macchina, e rimuovere pietre, bastoni, cavi, ossa e altri oggetti estranei.** Tali oggetti potrebbero essere scagliati e causare lesioni personali.
- d) **Prima di utilizzare la macchina, controllare sempre visivamente che il tagliente o la lama e i componenti di assemblaggio del tagliente o della lama non siano danneggiati.** Le parti danneggiate accrescono il rischio di lesioni.
- e) **Attenersi alle istruzioni per effettuare la sostituzione degli accessori.** Un serraggio improprio dei dadi o dei bulloni di bloccaggio della lama può danneggiarla o provocarne il distacco.
- f) **La velocità di rotazione nominale della lama deve essere perlomeno equivalente alla velocità di rotazione massima indicata sulla macchina.** Le lame che ruotano più velocemente della loro velocità di rotazione nominale possono frantumarsi e proiettarsi in ogni direzione.
- g) **Indossare protezioni per occhi, orecchie, testa e mani.** Dispositivi di protezione individuali appropriati ridurranno le lesioni personali che possono essere provocate da detriti vaganti o dal contatto accidentale con il filo di taglio o con la lama.
- h) **Quando la macchina è in funzione, indossare sempre calzature di sicurezza.** Non utilizzare la macchina a piedi nudi o indossando sandali. Indossare calzature di sicurezza riduce la probabilità di subire lesioni ai piedi causate dal contatto con un tagliente, un filo o una lama in movimento.
- i) **Durante l'utilizzo della macchina, indossare sempre pantaloni lunghi.** La pelle esposta aumenta il rischio di ferirsi a causa di oggetti che vengono scagliati.
- j) **Durante il funzionamento della macchina, accertarsi che le persone che si trovano nelle vicinanze restino distanti.** I detriti proiettati dalla macchina possono causare gravi lesioni personali.
- k) **Impiegare sempre entrambe le mani durante le operazioni di utilizzo della macchina.** Impugnando la macchina con entrambe le mani si evita di perderne il controllo.
- l) **Maneggiare la macchina esclusivamente dalle superfici di presa dedicate e isolate, poiché il filo di taglio o la lama potrebbero entrare in contatto con cavi elettrici non visibili.** Il filo di taglio oppure le lame che entrano in contatto con un cavo elettrico "sotto tensione" possono mettere "sotto tensione" le parti metalliche non isolate della macchina e determinare la possibilità di provocare una scossa elettrica ai danni dell'operatore.
- m) **Assicurarsi di mantenere sempre una posizione adeguata e azionare la macchina solo se si opera con i piedi saldamente appoggiati sul terreno.** Operare su superfici scivolose o instabili possono causare la perdita di equilibrio o di padronanza della macchina.
- n) **Non utilizzare la macchina su superfici eccessivamente in pendenza.** In tal modo si riduce il rischio di perdere il controllo, di scivolare e di cadere, con conseguenti lesioni personali.
- o) **Quando si lavora su superfici in pendenza, assicurarsi sempre di avere una buona presa sul terreno, lavorare sempre in senso trasversale, mai in salita o in discesa, e prestare la massima attenzione durante il cambio di direzione.** In tal modo si riduce il rischio di perdere il controllo, di scivolare e di cadere, con conseguenti lesioni personali.
- p) **Mantenere tutte le parti del corpo lontane dal tagliente, dal filo di taglio o dalla lama quando la macchina è in funzione.** Prima di avviare la macchina, accertarsi che il tagliente, il filo o la lama non siano a contatto con alcun oggetto. Una piccola disattenzione durante l'uso della macchina può provocare lesioni personali o a terze persone.
- q) **Non operare con la macchina utilizzandola al di sopra dell'altezza della vita.** Mantenendo la macchina in posizione corretta, si evita il contatto involontario con il tagliente o con la lama e si favorisce un controllo ottimale della stessa in caso di situazioni imprevedute.
- r) **Quando si tagliano cespugli o arbusti sottoposti a tensione, è necessario prestare attenzione al fenomeno del ritorno elastico.** Quando la tensione delle fibre del legno viene rilasciata, il cespuglio o l'arbusto può colpire l'operatore e/o causare la perdita di controllo della macchina.
- s) **Prestare la massima attenzione quando si tagliano cespugli e arbusti.** Il materiale esile e flessibile potrebbe avvolgersi alla lama ed essere proiettato nella direzione dell'operatore, oppure potrebbe fargli perdere l'equilibrio.
- t) **Mantenere il controllo della macchina e non toccare i taglienti, i fili o le lame e altre parti mobili pericolose quando sono ancora in movimento.** In tal modo si riduce il rischio di lesioni dovute alle parti in movimento.
- u) **Qualora si intende trasportare la macchina assicurarsi che sia spenta e distante dal corpo.** Una corretta manipolazione della macchina ridurrà la probabilità di un contatto accidentale con un tagliente, un filo o una lama in movimento.
- v) **Quando si trasporta o si ripone la macchina, montare sempre la copertura protettiva sulle lame metalliche.** Una corretta manipolazione della macchina ridurrà la probabilità di un contatto accidentale con la lama.
- w) **Utilizzare esclusivamente taglienti, fili, teste di taglio e lame di ricambio indicate dal produttore.** Le parti di ricambio non idonee possono aumentare il rischio di rotture e lesioni.

- x) Durante la rimozione del materiale incastrato o la manutenzione della macchina, assicurarsi che l'interruttore sia spento e che la batteria sia stata rimossa. L'avvio imprevisto della macchina durante l'eliminazione di materiale incastrato o durante la manutenzione può provocare gravi lesioni personali.

## CAUSE DEL CONTRACCOLPO DELLA LAMA E RELATIVE AVVERTENZE

Il contraccolpo della lama è un improvviso movimento laterale, in avanti o all'indietro della macchina, che può verificarsi quando la lama si blocca o si impiglia in un oggetto come un alberello o un ceppo. Può essere abbastanza violento da spingere la macchina e/o l'operatore in qualsiasi direzione, con la possibilità di perdere il controllo della macchina.

Il contraccolpo della lama e i relativi rischi possono essere evitati adottando le precauzioni indicate di seguito

- a) **Mantenere una presa salda con entrambe le mani sulla macchina e posizionare le braccia per resistere al contraccolpo della lama. Posizionare il corpo sul lato sinistro della macchina. Il contraccolpo della lama può aumentare il rischio di lesioni dovute al movimento imprevisto della macchina. La forza del contraccolpo può essere controllata dall'operatore se si prendono le dovute precauzioni.**
- b) **Se la lama si blocca o quando si interrompe un taglio per qualsiasi motivo, spegnere la macchina e mantenerla immobile nel materiale finché la lama non si ferma completamente. Mentre la lama è impegnata, non tentare mai di rimuovere la macchina dal materiale o di tirarla all'indietro mentre la lama è in movimento, altrimenti si potrebbe verificare un contraccolpo. Indagare e intraprendere azioni correttive per eliminare la causa dell'inceppamento della lama.**
- c) **Non utilizzare lame non affilate o danneggiate. Le lame non affilate o danneggiate aumentano il rischio di incepparsi o di impigliarsi in un oggetto, con conseguente contraccolpo della lama.**
- d) **Mantenere sempre una buona visibilità del materiale da tagliare. È più probabile che il contraccolpo della lama si verifichi in aree in cui è difficile vedere il materiale da tagliare.**
- e) **Se si viene avvicinati da un'altra persona durante il funzionamento della macchina, spegnere la macchina. In caso di contraccolpo della lama, esiste un rischio maggiore di lesioni per altre persone che vengono colpite dalla lama in movimento.**

## SICUREZZA DELLA

## BATTERIA ISTRUZIONI PER LA SICUREZZA DEL PACCO BATTERIA

- a) **Non smontare, aprire o strappare le cellule secondarie o il pacco batteria.**
- b) **Non cortocircuitare un pacco batteria. Non conservare un pacco batteria disordinatamente in una scatola o un cassetto in cui potrebbero cortocircuitarsi tra essi o essere cortocircuitati da altri oggetti metallici. Quando il pacco batteria non è in uso, tenerlo lontano da altri oggetti metallici come graffette, monete, chiavi, chiodi, viti e altri piccoli oggetti metallici, potrebbe avverarsi un collegamento tra i due terminali. Collegare i terminali della batteria potrebbe causare incendi o ustioni.**
- c) **Non esporre il pacco batteria a calore o fuoco. Evitare di conservarli alla luce diretta del sole.**
- d) **Non sottoporre il pacco batteria a scosse meccaniche.**
- e) **In caso di perdite da una cella, evitare che il liquido entri in contatto con la pelle o gli occhi. In caso di contatto, lavare l'area interessata con abbondante acqua e consultare un medico.**
- f) **Tenere le celle e il pacco batteria puliti e asciutti.**
- g) **Pulire i terminali delle cellule e del pacco batteria con un panno pulito e asciutto nel caso in cui si sporchino.**
- h) **Il pacco batteria deve essere caricato prima dell'uso. Utilizzare sempre il caricatore corretto e consultare le istruzioni.**
- i) **Non lasciare un pacco batteria in carica se non in uso.**
- j) **Dopo lunghi periodi di conservazione, potrebbe essere necessario caricare e scaricare le cellule o il pacco batteria diverse volte per ottenere le massime prestazioni.**
- k) **Ricaricare solo con il caricatore specificato da Kress. Non utilizzare caricatori diversi da quelli forniti per l'uso specifico con l'apparecchiatura.**
- l) **Non utilizzare un pacco batteria non progettato per l'uso con l'apparecchiatura.**
- m) **Tenere il pacco batteria fuori dalla portata dei bambini.**
- n) **Conservare i documenti originali del prodotto per riferimenti futuri.**
- o) **Rimuovere la batteria dall'apparecchiatura, se non in uso.**
- p) **Smaltire adeguatamente.**
- q) **Non mischiare batterie di diverse marche, capacità, dimensioni o tipologia nello stesso dispositivo.**
- r) **Tenere la batteria lontano da microonde e alta pressione.**

## REQUISITI DEL MANUALE D'USO PER IL PRODOTTO

# WIRELESS


- a) Il funzionamento di questo dispositivo è soggetto alla due seguenti condizioni:  
 (1) Questo dispositivo non deve causare interferenze pericolose, e  
 (2) questo dispositivo deve accettare qualsiasi interferenza ricevuta, incluse quelle che potrebbero causare un funzionamento indesiderato.
- b) Attenzione: Cambiamenti o modifiche a questa unità non espressamente approvate dai responsabili in materia di conformità potrebbero invalidare il diritto dell'utente ad utilizzare l'apparecchiatura.
- c) NOTA: Questa apparecchiatura genera, utilizza e può irradiare energia a radiofrequenza e, se non installata e utilizzata in conformità alle istruzioni, può causare interferenze dannose alla comunicazione radio. Tuttavia, non vi è alcuna garanzia che non si verifichino interferenze in una installazione specifica. Se questo dispositivo causa interferenze dannose alla ricezione radio o televisiva, che possono essere individuate spegnendo e riaccendendo il dispositivo, l'utente è incoraggiato a cercare di correggere l'interferenza eseguendo una o più delle seguenti misure:
- Riorientare o spostare l'antenna ricevente.
  - Accrescere la distanza tra l'apparecchiatura e il ricevitore.
  - Collegare l'apparecchiatura ad una presa su un circuito diverso da quello al quale è collegato il ricevitore.
  - Consultare il rivenditore o un tecnico radiotelevisivo esperto.

# SIMBOLI

	Per ridurre il rischio di lesioni, l'utente deve leggere il manuale di istruzioni
	Indossare protezioni per occhi, orecchie e testa
	Indossare calzature antiscivolo
	AVVERTENZA - La distanza tra la macchina e le persone che si trovano nelle vicinanze deve essere di almeno 15 m (50 ft.)
	AVVERTENZA - Fare attenzione agli oggetti proiettati.

	AVVERTENZA - Attenzione alla spinta della lama.
	Non utilizzare lame metalliche.
	Assicurarsi che la batteria venga rimossa prima di sostituire gli accessori.
	Indossare una protezione per la testa
	I prodotti elettrici non possono essere gettati tra i rifiuti domestici. L'apparecchio da rottamare deve essere portato al centro di riciclaggio per un corretto trattamento. Controllare con le autorità locali o con il rivenditore per localizzare il centro di riciclaggio più vicino.
 Li-Ion 	Batteria agli ioni di litio (Li-Ion). Questo prodotto è stato contrassegnato con un simbolo riguardante la raccolta differenziata per tutti i pacchi batteria. La batteria sarà poi riciclata o demolita allo scopo di ridurre l'impatto ambientale. I pacchi batteria possono costituire un pericolo per l'ambiente e per la salute umana in quanto contengono sostanze pericolose.
	Non bruciare
	Se smaltite in maniera scorretta, le batterie potrebbero entrare nel ciclo dell'acqua, con conseguenti rischi per l'ambiente. Non smaltire le batterie esaurite nei rifiuti generici.
	Assicurarsi che la batteria venga rimossa prima di sostituire gli accessori.
	Tagliare

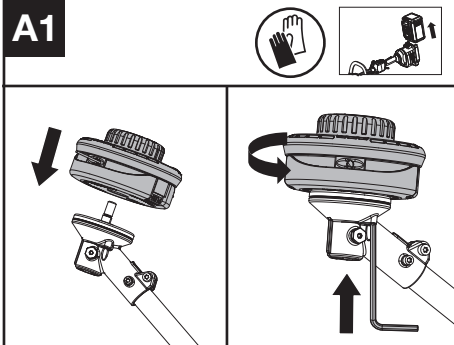
# MONTAGGIO E FUNZIONAMENTO

 **NOTA:** Leggere scrupolosamente il manuale delle istruzioni prima di usare l'attrezzo.

 **PRIMA DI USARE:**

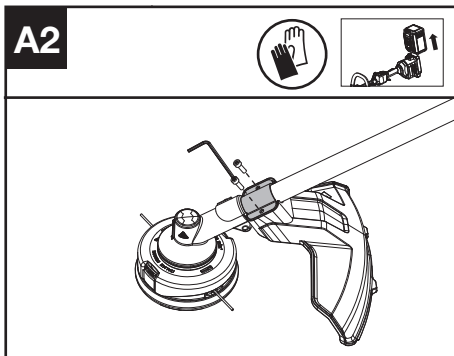
**Montare la testa di taglio. (vedi Fig. A1)**

Montare la testa di taglio. Inserire la chiave esagonale nel foro e ruotare la testa del decespugliatore fino a quando non si arresta in una posizione bloccata.



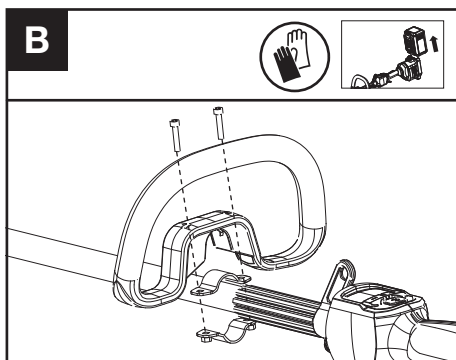
**Montaggio della protezione anti-detriti (vedi Fig. A2)**


1. Installare la protezione anti-detriti corretta per la testa del decespugliatore.
2. Fissare la protezione in posizione utilizzando la vite e la chiave torx.



**Montaggio della maniglia anteriore (vedi Fig. B)**

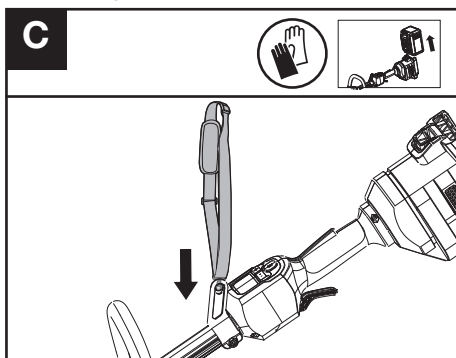
1. Fissare la maniglia anteriore e il morsetto inferiore sull'albero.
2. Inserire il bullone attraverso i fori.
3. Stringere la maniglia anteriore.



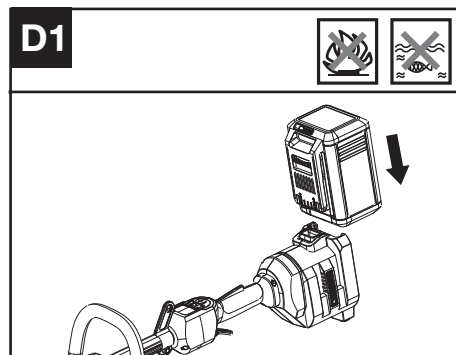
 **AVVERTENZA:** regolare la maniglia anteriore come desiderato in modo da assicurarsi che il braccio anteriore sia dritto quando si utilizza il decespugliatore.

**Assemblaggio della tracolla (Venduto separatamente) (vedi Fig. C)**

1. Regolare la lunghezza della tracolla.
2. Collegare il moschettone della tracolla accessoria al punto di montaggio sull'albero del decespugliatore.

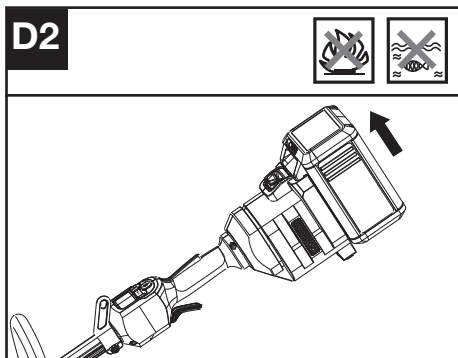


**Rimozione e Installazione dell'unità batteria (Vedi Fig. D1, D2)**



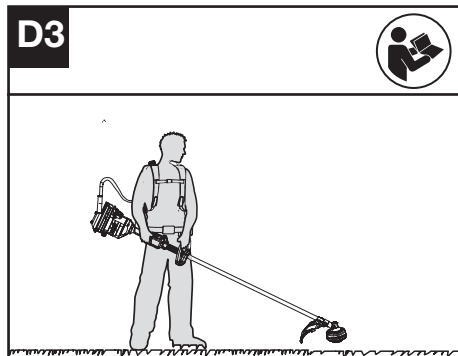


1. Far scorrere la batteria nel vano batteria.
2. Premere il rilascio del pacco batteria per rimuoverlo dal trapano.



### Collegamento con l'imbracatura dello zaino (vedi Fig. D3)

Il decespugliatore può essere collegato con un'imbracatura per zaino accessoria (non fornita). Fare riferimento al manuale dell'imbracatura dello zaino per ulteriori informazioni.

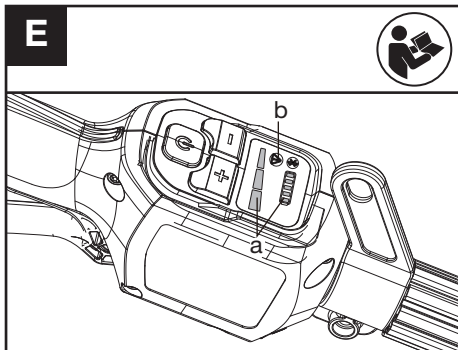


### VERIFICA DEL DECESPUGLIATORE E DELLA BATTERIA (VEDI FIG. E)

#### Controllo dei comandi Interruttore di presenza dell'operatore e grilletto dell'acceleratore

1. Rimuovere la batteria.
2. Provare a premere il grilletto dell'acceleratore. Se è possibile premere il grilletto dell'acceleratore senza premere l'interruttore di presenza operatore, l'interruttore di presenza operatore è difettoso. Interrompere l'utilizzo del decespugliatore e contattare l'addetto all'assistenza.
4. Tenere premuto e premere prima l'interruttore di presenza dell'operatore, quindi premere il grilletto dell'acceleratore.
5. Rilasciare il grilletto dell'acceleratore e l'interruttore di presenza dell'operatore. Se il grilletto dell'acceleratore o l'interruttore di

presenza dell'operatore sono bloccati e non possono tornare alla posizione originale. Interrompere l'utilizzo del decespugliatore e contattare l'addetto all'assistenza.



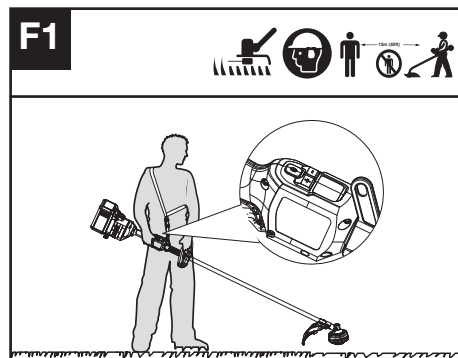
### Controllo del display

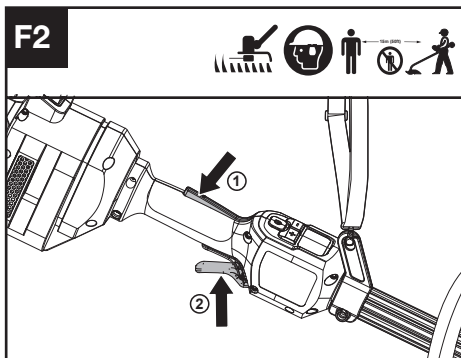
1. Inserire la batteria.
2. Premere e tenere premuto l'interruttore On/Off. Il prodotto si accende quando il LED (a) è acceso. Il prodotto si spegne quando il LED (a) è spento.
3. Premere prima l'interruttore di presenza dell'operatore, quindi premere il grilletto dell'acceleratore per avviare la macchina. La testa del decespugliatore ruota.
4. Se l'indicatore di avvertimento (b) si accende o lampeggia, fare riferimento a Risoluzione dei problemi per le soluzioni.
5. Rilasciare il grilletto dell'acceleratore. La testa del decespugliatore smette di ruotare dopo un breve ritardo. Se la testa continua a ruotare, rimuovere la batteria e contattare l'addetto all'assistenza.

### FUNZIONAMENTO:

#### Avvio del decespugliatore (Vedi Fig. F1, F2)

1. Tenere saldamente il decespugliatore con la mano destra sulla maniglia di controllo - avvolgere il pollice intorno alla maniglia. Tenere il decespugliatore con la mano sinistra sulla maniglia ausiliaria - avvolgere il pollice intorno alla maniglia.





2. Tenere premuto e premere l'interruttore On / Off finché il LED verde non si accende. Il LED verde indica il livello di potenza.
3. Premere prima l'interruttore di presenza dell'operatore, quindi premere il grilletto dell'acceleratore per avviare la macchina. Il LED verde per avvio/arresto si spegne dopo 5 secondi se non viene utilizzato come procedura di sicurezza. Quando non si effettua il taglio, l'unità rimarrà accesa se l'interruttore di presenza operatore viene tenuto premuto senza azionare la macchina. Se il LED verde si spegne, il prodotto dovrà essere riavviato.

**NOTA:** l'interruttore di presenza dell'operatore è progettato per impedire il funzionamento accidentale. Quando si preme l'interruttore di presenza operatore, esso rilascia il grilletto dell'acceleratore.

### Selezione della velocità

A seconda dell'applicazione, è possibile impostare 3 livelli di potenza. Utilizzare +/- per controllare la velocità. I LED indicano il livello di velocità selezionato. Più alto è il livello di potenza, più veloce può funzionare l'accessorio di taglio.

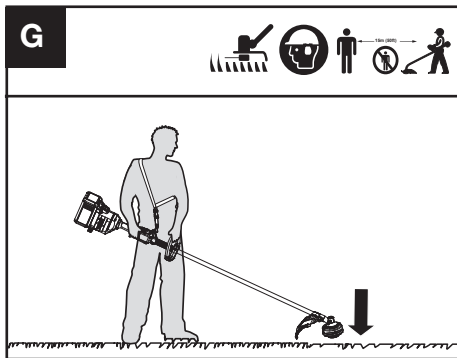
### Arresto del decespugliatore

Rilasciare il grilletto dell'acceleratore per arrestare la macchina.

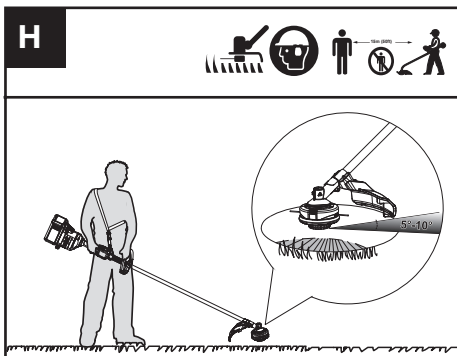
**! AVVERTENZA!** La testina di taglio continua a girare dopo che il decespugliatore è stato spento; attendere finché si è fermata e poi appoggiare l'attrezzo.

### Sistema di alimentazione Tap&Go (Vedi Fig. G)

Il tagliasepi è dotato di un sistema Tap&Go. Basta battere la testa del tagliasepi mentre la macchina è in funzione, nuovo filo verrà rilasciato.



### Suggerimenti per il taglio (Vedi Fig. H)



1. Oscillare il trimmer da un lato all'altro attraverso l'area da tagliare.
2. Utilizzare la punta della linea di taglio per eseguire il taglio; non forzare la testina del tagliabordi sull'erba non tagliata.
3. I recinti di filo metallico e di picchetto possono causare un'ulteriore usura e rottura della linea di taglio. Muri in pietra e mattoni, cordoli e legno possono usurare rapidamente la linea di taglio.
4. Evitare alberi e arbusti. Corteccia d'albero, modanature in legno, rivestimenti e pali di recinzione possono essere facilmente danneggiati dalla linea di taglio.
5. Il livello di potenza selezionato influisce sul tempo di funzionamento della batteria. Più basso è il livello di potenza, più lungo è il tempo di esecuzione. Si consiglia di utilizzare il livello di potenza più basso, a meno che non sia in condizioni di taglio peggiori.

### PER GLI UTENSILI A BATTERIA

L'intervallo di temperatura ambiente consigliato per lo scarico è di -20°C ~45°C (-4°F~113°F).

La temperatura ambientale raccomandata per il caricabatterie durante la ricarica è di 5°C~45°C (23°F~113°F).

# TRASPORTO

## Trasporto del decespugliatore

1. Spegnerlo il decespugliatore e rimuovere la batteria.
2. Quando si trasporta il decespugliatore a mano, tenere il centro dell'albero con la testa di taglio nella parte posteriore e assicurarsi che la macchina sia parallela al terreno.
3. Quando si trasporta il decespugliatore in un veicolo, fissarlo e posizionarlo per evitare movimenti o danni.

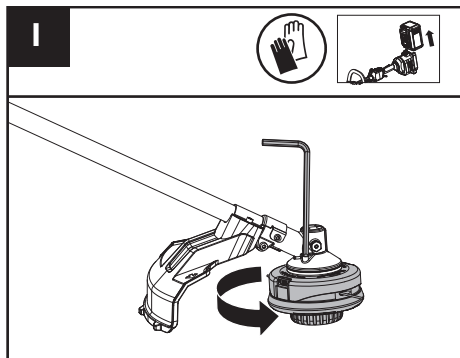
## Trasporto della batteria

1. Assicurarsi che la batteria sia in condizioni di sicurezza.
2. Utilizzare imballaggi non conduttivi durante il trasporto della batteria.
3. Le batterie agli ioni di litio contenute sono soggette ai requisiti della legislazione sulle merci pericolose.  
Trasportare le batterie solo quando l'alloggiamento della batteria non è danneggiato. Imballare le batterie in modo che non possano spostarsi all'interno dell'imballaggio.

# MANUTENZIONE

**ATTENZIONE!** Rimuovere sempre il pacco batterie dal tosaerba dopo l'uso.

## Sostituzione della testa rifilatrice (vedi Fig. I)



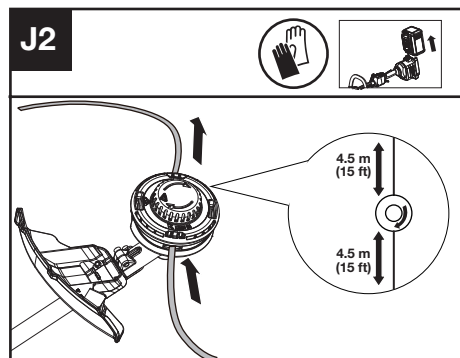
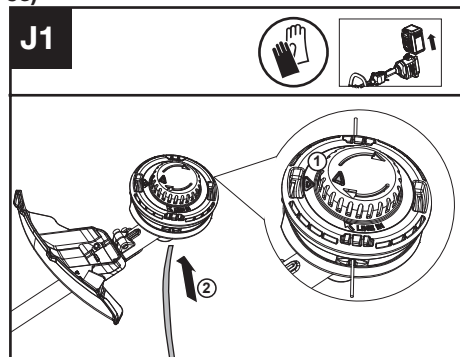
**ATTENZIONE!** L'uso di fili o linee metalliche non è autorizzato e potrebbe essere estremamente pericoloso. Utilizzare solo filo di taglio consigliato in questo manuale, in combinazione con la protezione dai detriti consigliata.

**ATTENZIONE!** Una testa di taglio danneggiata o allentata può vibrare, incrinarsi, rompersi o staccarsi dal decespugliatore, con conseguenti lesioni gravi o mortali o danni materiali. Assicurarsi che la testa del decespugliatore sia serrata correttamente e

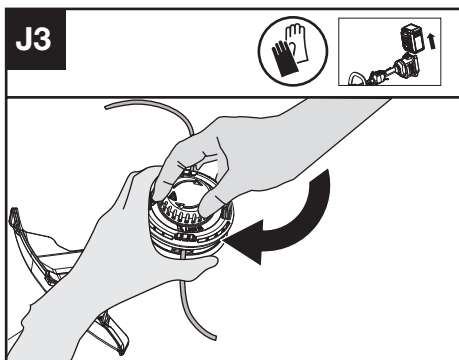
saldamente e in buone condizioni prima di iniziare a lavorare.

1. Inserire la chiave esagonale nel foro e ruotare la testa del decespugliatore fino a quando non si arresta in una posizione bloccata.
2. Poi, ruotare in senso orario per rimuoverlo e in senso antiorario per assemblarlo.

## Avvolgimento filo di taglio (Vedi Fig. J1, J2, J3)

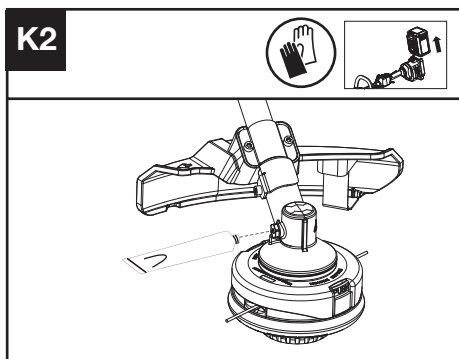
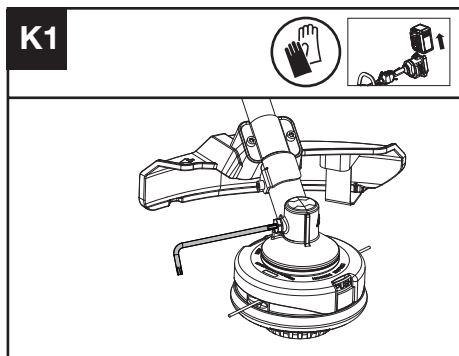


1. Ruotare il cappuccio della bobina per allineare due icone triangolari. (Vedi Fig. J1)
2. Inserire il filo di ricambio attraverso l'occhiello (Line In) e farlo uscire attraverso l'altro occhiello. Assicurarsi che entrambe le estremità del filo siano uniformi su ciascuna estremità della testa di taglio (consigliata 4.5 m (15 piedi)) e tagliare la linea. (Vedi Fig. J2)
3. Ruotare il quadrante in senso orario per avvolgere il filo intorno alla bobina fino a quando circa 16 cm (6") rimangono su entrambi i lati. (Vedi Fig. J3)



### Lubrificazione del riduttore (Vedi Fig. K1, K2)

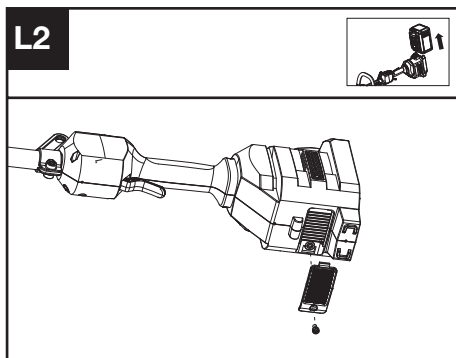
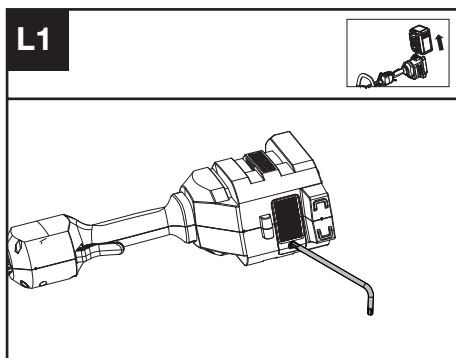
1. Rimuovere la vite sulla testina ingranaggi.
2. Se non c'è grasso per ingranaggi conici sull'estremità della vite, inserire 5 g di grasso (SHELL Gadus S2 V220 1) per ingranaggi nell'alloggiamento ingranaggi.
3. Rimontare e serrare saldamente la vite.
4. Installare la batteria e far funzionare il decespugliatore per 1 minuto per garantire che l'ingranaggio sia lubrificato in modo uniforme.



### Pulizia del filtro dell'aria (Vedi Fig. L1, L2)

1. Pulire l'area intorno al filtro dell'aria. Utilizzare un

- panno umido o una spazzola morbida.
2. Svitare e rimuovere il filtro dell'aria.
3. Lavare il filtro dell'aria con acqua corrente per rimuovere lo sporco.
4. Lasciare asciugare il filtro dell'aria all'aria, quindi installarlo nell'alloggiamento stringendo la vite.



### Intervalli di manutenzione

Si consiglia di lubrificare la testina e pulire il filtro dell'aria ogni 50 ore di funzionamento in base all'uso effettivo.

## PULIZIA

1. Spegnere il decespugliatore e rimuovere la batteria.
2. Non utilizzare detersivi o solventi aggressivi. Pulire l'apparecchio dopo l'uso con un panno umido immerso in un detergente neutro.
3. Mantenere la presa libera da corpi estranei e pulire con una spazzola morbida e asciutta o un panno.
4. Non spruzzare acqua sul motore e sui componenti elettrici.
5. Non usare l'idropulitrice per pulire l'apparecchio.

# CONSERVAZIONE

1. Rimuovere il vano batteria dal trimmer prima di riporlo.
2. Una volta bagnata dalla pioggia durante il funzionamento, la macchina e la batteria devono essere asciugate prima di riporle o caricarle. Rimuovere la batteria e reinserirla se la macchina non si accende.
3. Conservare il decespugliatore in un luogo asciutto e sicuro, inaccessibile ai bambini e ad altre persone non autorizzate.  
Rimuovere l'accessorio di taglio se non verrà utilizzato per un lungo periodo di tempo.
4. Conservare la batteria solo entro un intervallo di temperatura compreso tra 5 °C (41 °F) e 25 °C (77 °F). Ad esempio, non lasciare la batteria in auto in estate.

# RISOLUZIONE DEI PROBLEMI

La tabella seguente elenca possibili problemi e azioni che potete intraprendere nel caso in cui la macchina non funzioni correttamente.



**Attenzione: spegnere la macchina e rimuovere la batteria prima di procedere alla risoluzione dei problemi.**

## DECESPUGLIATORE


Problemi	Possibili cause	Soluzione
Indicatore LED batteria lampeggiante	Bassa tensione della batteria.	Caricare la batteria.
LED rosso lampeggiante di errore	Sovraccarico.	L'accessorio di taglio è inceppato Disattivare il prodotto. Rimuovere la batteria. Pulire l'accessorio da taglio da materiali indesiderati.
	Problema di temperatura.	Lasciare raffreddare il prodotto.
	Il grilletto dell'acceleratore e l'interruttore ON/OFF sono premuti contemporaneamente.	Rilasciare il grilletto dell'acceleratore. Eseguire nuovamente la sequenza di avvio.
	Altri problemi	Contattare l'addetto all'assistenza
Il decespugliatore non si avvia	Detriti nei connettori della batteria.	Pulire i connettori della batteria con aria compressa o una spazzola morbida.
	Altri problemi	Contattare l'addetto all'assistenza
Il decespugliatore funziona in modo intermittente	La batteria non è completamente inserita nella macchina.	Inserire completamente la batteria.
	Potenziale problema elettrico.	Contattare l'addetto all'assistenza
Vibrazioni/ rumore eccessivi.	Bilanciamento filo nylon / lunghezza diversa	Riavvolgere il filo nylon.
	Problema con l'accessorio di taglio. Macchina difettosa.	Sostituire l'accessorio di taglio. Contattare l'addetto all'assistenza

## BATTERIA

Problemi	Possibili cause	Soluzione
Spia LED di errore	La batteria è scarica	Caricare la batteria. Se la batteria non si carica, contattare l'addetto all'assistenza.
	Problema di temperatura.	Utilizzare la batteria in ambienti con temperature comprese tra -5°C e 45°C (da 23°F a 113°F) per la ricarica; da -20°C a 45°C (da -4°F a 113°F) per la scarica.
	Altri	Contattare l'addetto all'assistenza.

## DATI TECNICI

Codice **KC100 KC100.X** (1-designazione del macchinario, tipo di Tagliaerba senza cavo)

	<b>KC100 KC100.X **</b>
Voltaggio	60 V  MAX ***
Velocità di taglio	4200 / 5100 / 5900 rpm
Diametro di taglio	42 cm (16.5")
Diametro del filo	2.4 / 2.7 mm (0.095" / 0.105") filo di nylon
Grado di protezione	IPX4
Peso (Utensile nudo)	4.5 kg (9.9 lbs)

\*\* X = 1-999 ,A-Z , M1-M9 solo per clienti diversi, non ci sono cambiamenti rilevanti sicuri tra questi modelli.

\*\*\* Voltaggio misurato senza carico. Il voltaggio iniziale della batteria raggiunge un massimo di 60 volt. Il voltaggio nominale è di 54 volt.

## BATTERIE E CARICABATTERIE CONSIGLIATI

Batteria	Capacità	Caricabatteria	Amperage
KAC804	4.0 Ah	KAC840	30 A
KAC810 (Con imbracatura per zaino)	11.0 Ah		

Si consiglia di acquistare gli accessori presso lo stesso rivenditore presso il quale è stato acquistato l'utensile. Per ulteriori dettagli, consultare la confezione degli accessori. Il rivenditore può fornirvi assistenza e consigliarvi.

## DATI TECNICI DEL PACCO BATTERIE (OPZIONALE)

Banda di frequenza per Bluetooth	2400-2483.5 MHz
Potenza Massima Trasmessa per Bluetooth	8 dBm

## COMBINAZIONI DI ACCESSORI DA TAGLIO, DEFLETTORI E SISTEMI DI TRASPORTO

Dispositivo di taglio	Protezione detriti	Barriera	Sistema di trasporto
- Testa di rifinitura da 4" (opzionale, non inclusa) - Testa di rifinitura da 5"	- Deflettore ad alta visibilità - Deflettore universale con gonna	- Optional	- Tracolla - Cablaggio della batteria dello zaino
- Lama del coltello	- Protezione universale senza banda inferiore	- Obbligatorio	

## INFORMAZIONI SUL RUMORE

Pressione acustica ponderata  $L_{pA} = 79.7 \text{ dB(A)}$

$K_{pA}$  3 dB(A)

Potenza acustica ponderata  $L_{wA} = 94.94 \text{ dB(A)}$

$K_{wA}$  0.59 dB(A)

**Indossare protezione per le orecchie**



## INFORMAZIONI SULLA VIBRAZIONE

Vibrazione ponderata tipica  $a_n = 2,45 \text{ m/s}^2$

Incertezza  $K = 3 \text{ m/s}^2$

**AVVERTENZA:** Il valore delle vibrazioni emesse durante il reale utilizzo dello strumento può differire dal valore dichiarato in base ai modi con cui viene usato lo strumento, ai seguenti esempi e ad altre variabili:

Come viene usato l'apparecchio e i materiali tagliati o forati.

Le condizioni e la buona manutenzione dello strumento.

L'uso dell'accessorio corretto per il taglio e la sua affilatura, nonché le sue buone condizioni.

La stretta sull'impugnatura e l'eventuale utilizzo di accessori antivibrazione.

L'adeguatezza dell'utilizzo dell'utensile rispetto a quanto previsto.

**Questo strumento potrebbe causare la sindrome da vibrazioni mano-braccio se il suo utilizzo non viene gestito correttamente.**

**AVVERTENZA:** Per essere precisi, una stima del livello di esposizione nelle attuali condizioni di utilizzo dovrebbe anche tenere conto di tutte le parti del ciclo operativo, come le volte in cui lo strumento viene spento e il tempo in cui viene lasciato girare a vuoto senza realmente fare il suo lavoro. Questo potrebbe ridurre significativamente il livello di esposizione sul periodo di lavoro totale. Un aiuto a minimizzare il proprio rischio di esposizione alle vibrazioni.


USARE sempre scalpelli, trapani e lame affilati.

Conservare questo strumento sempre in conformità a queste istruzioni e mantenerlo ben lubrificato (dove appropriato).

Se lo strumento deve essere usato regolarmente, investire in accessori antivibrazione.

Pianificare il programma di lavoro in modo da suddividere i lavori che implicano le maggiori vibrazioni nell'arco di più giorni.

## TUTELA AMBIENTALE

 I prodotti elettrici non possono essere gettati tra i rifiuti domestici. L'apparecchio da rottamare deve essere portato al centro di riciclaggio per un corretto trattamento. Controllare con le autorità locali o con il rivenditore per localizzare il centro di riciclaggio più vicino.

## DICHIARAZIONE DI CONFORMITÀ

NOI,  
Positec Germany GmbH  
Postfach 32 02 16, 50796 Cologne, Germany

A nome di Positec si dichiara che il prodotto,  
Descrizione **Tagliaerba senza cavo**  
Codice **KC100 KC100.X (1-designazione del macchinario, tipo di Tagliaerba senza cavo)**  
Funzione **Taglio dell'erba e vegetazione morbida simile e per la potatura di bordi erbosi**

È conforme alle seguenti direttive,  
**2006/42/EC, 2014/30/EU**  
**2011/65/EU&(EU)2015/863**  
**2000/14/EC modificata dalla 2005/88/EC**

2000/14/EC modificata dalla 2005/88/EC:

- Procedura di conformità come da **Annex VI**  
- Potenza acustica pesata **94.94 dB (A)**  
- Massima potenza di rumore garantita **96 dB (A)**

L'organismo competente  
Nome: **Intertek Deutschland GmbH (organismo notificato 0905)**  
Indirizzo: **Stangenstraße 1, 70771 LEINFELDEN-ECHTERDINGEN**

conforme a,  
**EN 62841-1, FprEN IEC**  
**62841-4-4:2020+FprAA:2021-02, EN 62233,**  
**EN ISO 3744, EN IEC 55014-1, EN IEC 55014-2**

Il responsabile autorizzato alla compilazione della documentazione tecnica,

Nome **Marcel Filz**  
Indirizzo **Positec Germany GmbH**  
Postfach 32 02 16, 50796 Cologne, Germany



2022/12/5  
Allen Ding  
Vice capo ingegnere, testing e certificazione  
Positec Technology (China) Co., Ltd  
18, Dongwang Road, Suzhou Industrial Park, Jiangsu 215123, P. R. China

# ÍNDICE

Introducción.....	64
Lista de componentes.....	65
Seguridad del producto.....	66
Montaje y funcionamiento.....	70
Transporte.....	73
Mantenimiento.....	74
Limpieza.....	75
Almacenamiento.....	75
Solución de problemas.....	76
Datos técnicos.....	77
<hr/> <b>ES</b> Protección ambiental.....	78
Declaración de conformidad.....	78

## INTRODUCCIÓN

Estimado cliente,

Gracias por confiar en Kress Commercial.

En Kress, nos dedicamos a desarrollar soluciones de alta calidad para satisfacer sus necesidades de jardinería profesional.

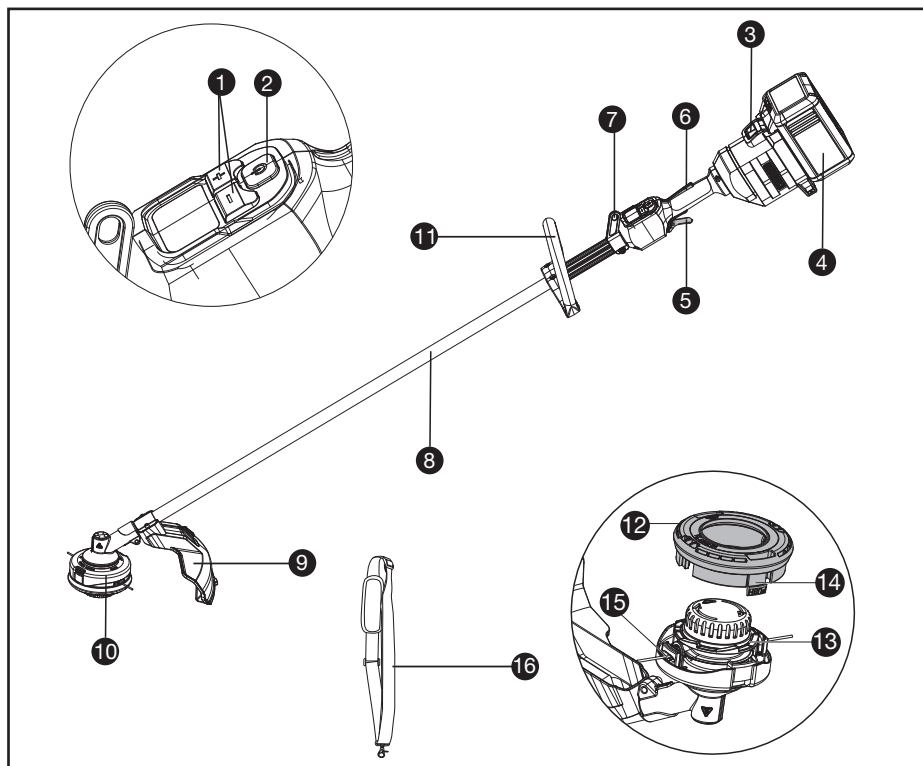
La marca Kress es sinónimo de calidad premium, tanto en las soluciones como en el servicio, así, si durante los años en que va a poder usar los productos Kress le surgen preguntas o dudas, puede ponerse en contacto con el distribuidor o con nuestro Equipo de Atención al Cliente para obtener ayuda.

Con la confianza en que va a disfrutar usando su producto Kress durante largo tiempo.

## USO INDICADO

Esta máquina está pensada para cortar hierba y malas hierbas altas que no se pueden alcanzar con un cortacésped. También se utiliza en zonas con pendientes no propicias para segar.





## LISTA DE COMPONENTES

- |     |                                       |
|-----|---------------------------------------|
| 1.  | CONTROL DE VELOCIDAD                  |
| 2.  | INTERRUPTOR DE ENCENDIDO/APAGADO      |
| 3.  | BLOQUEO DE LA BATERÍA                 |
| 4.  | BATERÍA *                             |
| 5.  | GATILLO DE ACELERACIÓN                |
| 6.  | INTERRUPTOR DE PRESENCIA DEL OPERADOR |
| 7.  | MONTAJE DE LA CORREA PARA EL HOMBRO   |
| 8.  | EJE                                   |
| 9.  | CUBIERTA PROTECTORA DE SEGURIDAD      |
| 10. | CABEZAL DE CORTE                      |
| 11. | MANGO FRONTAL                         |
| 12. | TAPA DE LA BOBINA DE HILO             |
| 13. | BOBINA DE HILO DE CORTE               |
| 14. | PESTAÑA DE SUJECCIÓN DE LA TAPA       |
| 15. | RANURA DE SALIDA DEL HILO             |
| 16. | CORREA DEL HOMBRO *                   |

\* Los accesorios ilustrados o descritos pueden no corresponder al material suministrado de serie con el aparato.

# MANUAL ORIGINAL MANUAL DE ADVERTENCIA DE SEGURIDAD GENERAL SOBRE HERRAMIENTAS ELÉCTRICAS



**¡ ADVERTENCIA:** Lea todas las advertencias de seguridad, instrucciones, ilustraciones y especificaciones que acompañan a esta herramienta eléctrica.

*Si no se respetan todas las instrucciones que se indican abajo, podría producirse una descarga eléctrica, un incendio o alguien podría resultar herido de gravedad.*

**Conservar todas las advertencias e instrucciones para futuras consultas.**

*El término "herramienta eléctrica" en todas las advertencias siguientes corresponde a la herramienta eléctrica con o sin cable.*

## 1) ZONA DE TRABAJO

- a) **Mantener su lugar de trabajo limpio y bien iluminado.** Bancos de trabajo desordenados y lugares oscuros invitan a los accidentes.
- b) **No utilizar herramientas eléctricas en ambientes potencialmente inflamables, como líquidos, gases o partículas inflamables.** Las herramientas eléctricas crean chispas que pueden prender el polvo o los gases.
- c) **Mantener alejados a los niños y visitantes mientras se trabaja con una herramienta eléctrica.** Las distracciones pueden hacerle perder el control.

## 2) SEGURIDAD ELÉCTRICA

- a) **Los enchufes de la herramienta eléctrica deben encajar perfectamente en el enchufe de la corriente eléctrica. Nunca modificar el enchufe de ninguna manera. No utilizar adaptadores con herramientas eléctricas conectadas a tierra.** Los enchufes no modificados y los que encajan perfectamente en la toma de corriente reducirán el riesgo de descarga eléctrica.
- b) **Evite el contacto del cuerpo con superficies como tuberías, radiadores, cocinas y frigoríficos.** Existe un mayor riesgo de descarga eléctrica si su cuerpo está en contacto con la tierra.
- c) **No utilice la máquina en condiciones de humedad o lluvia. Esto puede aumentar el riesgo de descarga eléctrica.** Si la máquina y la batería se mojan en la lluvia durante el funcionamiento, deben secarse antes de su almacenamiento o carga. Retire la batería y vuelva a insertarla si no se puede encender la máquina. Mantenga la conexión de la batería libre de suciedad y residuos, y límpiela con un cepillo o paño suave y seco.
- d) **No utilice el cable de forma inadecuada. No utilice nunca el cable para transportar,**

tirar o desenchufar la herramienta eléctrica. Mantenga el cable alejado del calor, aceite, bordes afilados o piezas giratorias. Los cables dañados o enredados aumentan el riesgo de descarga eléctrica.

- e) **Cuando utilice su herramienta eléctrica al aire libre, emplear un prolongador apto para uso en exteriores.** El empleo de cables para uso al aire libre reduce el riesgo de descarga eléctrica.
- f) **Si es necesario utilizar la herramienta motorizada en un lugar muy húmedo, utilice una fuente de alimentación con dispositivo de corriente residual (RCD).** El uso de un RCD reduce el riesgo de descarga eléctrica.

## 3) SEGURIDAD PERSONAL

- a) **Mantenerse alerta, poner atención en lo que está haciendo y utilice el sentido común mientras opera una herramienta eléctrica. No emplear la herramienta cuando se encuentre cansado o bajo la influencia de drogas, alcohol o medicación.** Un momento de falta de atención durante el manejo de herramientas eléctricas puede dar lugar a daños corporales serios.
- b) **Utilizar equipo de seguridad. Usar siempre protección ocular.** Equipo de seguridad como máscaras contra el polvo, zapatos antideslizantes de seguridad, sombrero o protección auditiva para condiciones apropiadas reducirá daños corporales.
- c) **Evite el arranque accidental. Asegúrese de que el interruptor se encuentra desactivado antes de enchufar la máquina o colocar la batería, al tomar la herramienta o transportarla.** Transportar herramientas con el dedo en el interruptor o enchufar la herramienta cuando el interruptor está encendido invitan a los accidentes.
- d) **Retire llaves de ajuste o llaves inglesas antes de poner la herramienta en funcionamiento.** Una llave que queda unida a una pieza móvil de la herramienta puede originar daños corporales.
- e) **No extralimitarse. Mantenerse firme y con buen equilibrio en todo momento.** Esto permite un mejor control de la herramienta en situaciones inesperadas.
- f) **Vístase adecuadamente. No lleve ropa holgada ni joyas. Mantenga el pelo y la ropa alejados de las piezas en movimiento.** La ropa suelta, las joyas o el pelo largo pueden quedar atrapados en las piezas en movimiento.
- g) **Si se proporcionan dispositivos para la extracción y recolección de polvo, asegurarse de que estos estén conectados y utilizados correctamente.** El uso de estos dispositivos puede reducir peligros relacionados con el polvo.
- h) **No permita que el hecho de estar familiarizado con el uso de herramientas le haga volverse descuidado o ignorar las normas de seguridad.** La falta de atención puede provocar heridas graves en una fracción

de segundo

#### 4) MANTENIMIENTO DE LA HERRAMIENTA ELÉCTRICA

- a) **No forzar la herramienta eléctrica. Utilizar la herramienta eléctrica correcta para su aplicación.** *La herramienta eléctrica correcta hará el trabajo mejor y más seguro a la velocidad para la cual fue diseñada.*
- b) **No utilizar la herramienta eléctrica si el interruptor no la enciende o apaga.** *Cualquier herramienta eléctrica que no pueda ser controlada con el interruptor es peligrosa y debe ser reparada.*
- c) **Desconecte el enchufe de la toma eléctrica y/o la batería de la herramienta antes de realizar cualquier ajuste, cambiar un accesorio o guardar la herramienta.** *Tales medidas de seguridad preventivas reducen el riesgo de arranque accidental de la herramienta.*
- d) **Mantener las herramientas eléctricas que no usa fuera del alcance de los niños y no permita que personas no familiarizadas con la herramienta o con estas instrucciones maneje la herramienta eléctrica.** *Las herramientas eléctricas son peligrosas en manos de usuarios inexpertos.*
- e) **Revisar las herramientas eléctricas. Comprobar si hay desalineamiento o atascamiento de piezas móviles, rotura de piezas en general y cualquier otra condición que pueda afectar la operación normal de la herramienta.** *Si se verifican daños, recurra a un servicio cualificado antes de volver a usar la herramienta.* *Las herramientas mal mantenidas causan muchos accidentes.*
- f) **Mantener las piezas de corte limpias y afiladas.** *Puesto que tienen menos probabilidad de atascarse y son más fáciles de controlar.*
- g) **Utilizar la herramienta eléctrica, accesorios y brocas etc., de acuerdo con estas instrucciones y teniendo en cuenta las condiciones de trabajo y el trabajo a realizar.** *El uso de la herramienta eléctrica para otras operaciones distintas de lo previsto podría dar lugar a una situación peligrosa.*
- h) **Mantenga las empuñaduras y las superficies de agarre secas, limpias y sin aceite ni grasa.** *Una empuñadura o una superficie de agarre resbaladiza dificultan la correcta manipulación y el control de la herramienta en situaciones imprevistas.*
- #### 5) UTILIZACIÓN Y MANTENIMIENTO DE LA BATERÍA
- a) **Recargar solamente con el cargador indicado por el fabricante.** *Un cargador adaptado a un tipo de batería podría crear un riesgo de incendio si se utiliza con una diferente batería.*
- b) **Utilizar las herramientas eléctricas solamente con baterías especialmente adaptadas.** *La utilización de cualquier otra batería podría causar un riesgo de incendio o herida.*
- c) **Cuando la batería no está en uso, tenerla lejos de los objetos metálicos, como clips, monedas, llaves, clavos, tornillos u otros objetos metálicos pequeños susceptibles de establecer una conexión de un terminal a otra.** *Un cortocircuito entre los terminales de la batería puede provocar.*
- d) **En caso de mal uso, puede salir líquido de la batería; evite el contacto. En caso de contacto accidental, enjuagar con agua.** *En caso de contacto con los ojos, consultar a un médico. El líquido presente en las baterías puede causar irritaciones o quemaduras.*
- e) **No utilice una batería o una herramienta que estén dañadas o hayan sido modificadas.** *Las baterías dañadas y modificadas pueden comportarse de forma imprevisible y provocar un incendio, una explosión o herir a alguien.*
- f) **No arroje una batería o herramienta al fuego ni las exponga a una temperatura excesiva.** *La exposición al fuego y a temperaturas superiores a 130 °C puede provocar una explosión.*
- g) **Respete todas las instrucciones de carga y no cargue la batería o la herramienta fuera del rango de temperatura especificado en las instrucciones.** *Una carga inadecuada o a una temperatura fuera del rango especificado puede ocasionar daños en la batería y aumentar el riesgo de incendio*
- #### 6) REPARACIÓN
- a) **Permitir que el mantenimiento de su herramienta eléctrica sea efectuado por una persona calificada usando solamente piezas de recambio idénticas.** *Esto es primordial para mantener la seguridad de la herramienta eléctrica.*
- a) **No intente reparar nunca una batería dañada.** *Cualquier intervención técnica en una batería debe ser realizada exclusivamente por el fabricante o por un servicio técnico autorizado.*

## ADVERTENCIAS DE SEGURIDAD PARA DESBROZADORAS

- a) **No utilizar la máquina en malas condiciones meteorológicas, especialmente si hay riesgo de rayos.** *Esto disminuye el riesgo de ser alcanzado por un rayo.*
- b) **Inspeccione minuciosamente si en la zona donde se vaya a usar la máquina hay vida salvaje.** *La vida salvaje puede ser herida por la máquina durante el funcionamiento.*
- c) **Inspeccione minuciosamente la zona en la que se vaya a usar la máquina y retire piedras, palitos, alambres, huesos y otros objetos extraños.** *Los objetos lanzados pueden provocar lesiones personales.*
- d) **Antes de usar la máquina, inspeccione**

siempre visualmente si la cuchilla, el cortador y el conjunto de cuchilla están dañados. Las piezas dañadas aumentan el riesgo de lesiones.

- e) **Siga las instrucciones para cambiar los accesorios.** Si las tuercas y los pernos de sujeción de la cuchilla no se aprietan bien, puede dañar la hoja o dar lugar a un desprendimiento de la hoja.
- f) **La velocidad nominal de rotación de la cuchilla debe ser al menos igual a la velocidad máxima de rotación indicada en la máquina.** Las cuchillas que giran más rápido que la velocidad nominal de rotación pueden romperse y saltar en pedazos.
- g) **Use protección para las manos, la cabeza, los oídos y los ojos.** El equipo de protección adecuado reducirá las lesiones personales por escombros voladores o contacto accidental con el hilo de corte o la cuchilla.
- h) **Durante el funcionamiento de la máquina, lleve siempre calzado protector.** No use la máquina con los pies descalzos o llevando sandalias. Esto reduce la posibilidad de lesiones en los pies por contacto con las cuchillas, el hilo o el cortador en movimiento.
- i) **Durante el funcionamiento de la máquina, lleve siempre pantalones largos.** La piel expuesta aumenta la probabilidad de lesiones por objetos lanzados.
- j) **Mantenga alejados a los transeúntes durante el funcionamiento de la máquina.** Los residuos que salgan disparados pueden causar lesiones personales graves.
- k) **Use siempre las dos manos cuando utilice la máquina.** Sostenga la máquina con las dos manos para evitar la pérdida de control.
- l) **Sostenga la máquina solo por los soportes de agarre con aislamiento, pues la cuchilla o el hilo de corte puede entrar en contacto con cables ocultos.** Si las cuchillas o el hilo de corte entran en contacto con un cable "con corriente", las partes metálicas de la máquina pueden tener "corriente" y los operadores pueden sufrir una descarga eléctrica.
- m) **Mantenga siempre un apoyo estable y utilice la máquina solo cuando esté sobre el terreno.** Las superficies resbaladizas o inestables pueden causar pérdida de equilibrio o del control de la máquina.
- n) **No maneje la máquina en pendientes excesivamente pronunciadas.** Esto reduce el riesgo de pérdida de control, resbalar y caerse, lo que puede tener como resultado lesiones personales.
- o) **Cuando trabaje en pendientes, asegúrese siempre de apoyar bien los pies, trabajar siempre a través de las pendientes, nunca hacia arriba o abajo y tome extrema precaución cuando cambie de dirección.** Esto reduce el riesgo de pérdida de control, resbalar y caerse, lo que puede tener como resultado lesiones personales.
- p) **Mantenga todas las partes del cuerpo alejadas del cortador, del hilo o de la cuchilla durante el funcionamiento de la máquina.** Ante poner en marcha la máquina, asegúrese de que el cortador, el hilo o la cuchilla no estén en contacto

con algún objeto. Un momento de distracción durante el funcionamiento de la máquina puede causar lesiones a usted o a los demás.

- q) **No utilice la máquina por encima de la altura de su cintura.** De este modo, impedirá el contacto no intencionado con la cuchilla o el cortador y permite mejorar el control de la máquina en situaciones imprevistas.
- r) **Cuando corte arbustos o árboles jóvenes que se encuentran bajo tensión, esté atento al movimiento repentino de la misma.** Cuando la tensión en las fibras de la madera se liberan, puede que el arbusto o el árbol joven se proyecte hacia el usuario y/o que le haga perder el control de la máquina.
- s) **Tome precauciones extremas cuando corte arbustos y árboles jóvenes.** El material fino puede engancharse con la cuchilla y golpearlo o hacerle perder el equilibrio.
- t) **Mantenga el control de la máquina y no toque los cortadores, los hilos ni las cuchillas u otras piezas móviles peligrosas si todavía están en movimiento.** Esto reduce el riesgo de lesiones por dichas piezas móviles.
- u) **Transporte la máquina apagada y alejada de su cuerpo.** El manejo adecuado de la máquina reducirá la probabilidad de contacto accidental con la cuchilla, el hilo o el cortador en movimiento.
- v) **Cuando transporte o almacene la máquina, coloque siempre la cubierta de la cuchilla.** El manejo adecuado de la máquina reducirá la probabilidad de contacto accidental con la cuchilla.
- w) **Utilice solo las cuchillas, los cabezales de cortes, los hilos y los cortadores de repuesto especificados por el fabricante.** Las piezas de repuesto incorrectas pueden aumentar el riesgo de rotura y lesiones.
- x) **Cuando despeje el material atascado o realice el mantenimiento de la máquina, asegúrese de que el interruptores esté desactivado y que la batería se haya retirado.** Un arranque inesperado de la máquina mientras se despeja material atascado o se realice el mantenimiento puede tener como resultado lesiones personales graves.

## CAUSAS DE CONTRAGOLPE DE LA CUCHILLA Y ADVERTENCIAS RELACIONADAS

Por contragolpe de la cuchilla se entiende un movimiento repentino hacia los lados, hacia delante o hacia atrás, que puede producirse cuando la cuchilla se queda atascada o atrapada en el objeto, por ejemplo, un árbol joven o un tronco de árbol. Puede ser suficientemente violento para provocar que la máquina y/o el operador sea lanzado en cualquier dirección y posiblemente pierda el control de la máquina. El contragolpe de la cuchilla y sus peligros relacionados pueden evitarse tomando las

precauciones necesarias que se proporcionan a continuación.

- a) Mantenga la máquina bien agarrada con las dos manos y coloque los brazos de forma que le permita resistir el contragolpe de la cuchilla. Coloque el cuerpo al lado izquierdo de la máquina. El contragolpe de la cuchilla puede aumentar el riesgo de lesiones debido al movimiento inesperado de la máquina. *Si se toman las precauciones adecuadas, el operador puede controlar el contragolpe de la cuchilla.*
- b) Si la cuchilla se atasca o cuando se interrumpa el corte por alguna razón, apague la máquina y manténgala sin movimiento en el material hasta que la cuchilla se detenga completamente. *Mientras la cuchilla esté atascada no intente retirar la máquina del material ni tire de la máquina hacia atrás mientras la cuchilla esté en movimiento, de lo contrario, puede provocarse un contragolpe de la cuchilla. Investigue y tome medidas correctivas para eliminar la causa de atascamiento de la cuchilla.*
- c) No utilice cuchillas desafiladas o dañadas. *Las cuchillas desafiladas o dañadas aumentan el riesgo de atasco o atrapamiento en un objeto, dando lugar a un contragolpe de la cuchilla.*
- d) Mantenga siempre una buena visibilidad del material que se está cortando. *El contragolpe de la cuchilla es más probable que ocurra en zonas en las que es difícil ver el material que se está cortando.*
- e) Apague la máquina si se acerca una persona mientras la utiliza. *Existe un mayor riesgo de lesionar otras personas por un golpe provocado por la cuchilla en movimiento en caso de un contragolpe de la cuchilla.*

líquido, evite que el líquido entre en contacto con la piel o los ojos. Si se produce el contacto, lave la zona afectada con grandes cantidades de agua y acuda a un médico.

- f) Mantenga las baterías limpias y secas.
- g) Limpie los bornes de la batería con un paño limpio si se ensucian.
- h) Cargue la batería antes de utilizarla. Consulte siempre estas instrucciones y aplique el procedimiento de carga adecuado.
- i) No deje la batería cargándose durante prolongados períodos de tiempo cuando no se utilice.
- j) Después de prolongados períodos de almacenamiento, puede que sea necesario cargar y descargar la batería varias veces para obtener el máximo rendimiento.
- k) Recargue solo con el cargador indicado por Kress. No utilice ningún otro cargador que no sea el específicamente proporcionado para el uso con este equipo.
- l) No utilice ninguna batería distinta a la diseñada para utilizarse con el aparato.
- m) Mantenga la batería fuera del alcance de los niños.
- n) Conserve la documentación original del producto por si tuviera que consultarla en otro momento.
- o) Extraiga la batería del aparato cuando no lo utilice.
- p) Deshágase del producto correctamente.
- q) No se deben mezclar pilas de diferentes fabricantes, capacidad, tamaño o tipo en un mismo dispositivo.
- r) Mantener la batería lejos de microondas y alta presión.

## SEGURIDAD DE LA BATERÍA ADVERTENCIAS DE SEGURIDAD PARA LA BATERÍA

- a) No desmonte, abra o destruya las celdas ni la batería.
- b) No provoque un cortocircuito en la batería. No almacene las baterías de forma descuidada en una caja o cajón donde podría provocar un cortocircuito entre ellas o mediante otros objetos metálicos. Cuando la batería no esté siendo utilizada, manténgala alejada de objetos metálicos, como clips de papel, monedas, llaves, clavos, tornillos u otros objetos metálicos pequeños, que pueden posibilitar la conexión de un borne con otro. Al provocar un cortocircuito con los bornes de la batería se pueden sufrir quemaduras o generar un incendio.
- c) No exponga las baterías al calor o al fuego. No las guarde expuestas directamente al sol.
- d) No exponga las baterías a impactos mecánicos.
- e) En caso de que la batería tenga fugas de

## REQUISITOS DEL MANUAL DE USUARIO PARA EL PRODUCTO INALÁMBRICO







- a) El funcionamiento de este dispositivo está sujeto a las siguientes condiciones:
  - (1) Este dispositivo no puede causar interferencias perjudiciales, y
  - (2) debe aceptar cualquier interferencia recibida, incluyendo las que puedan causar un funcionamiento indeseado.
- b) Precaución: Los cambios o modificaciones a este aparato que no estén expresamente aprobados por la parte responsable del cumplimiento podrían anular la autoridad del usuario para utilizar el equipo.
- c) NOTA: Este equipo genera, usa y puede radiar energía de radiofrecuencia y, si no se instala y usa de acuerdo con las instrucciones, puede causar interferencias perjudiciales para las comunicaciones de radio. Sin embargo, no se garantiza que no ocurran interferencias en una instalación particular. Si este equipo causa interferencias perjudiciales en la recepción de radio o televisión, lo cual puede determinarse

apagando y encendiendo el equipo, se recomienda al usuario que intente corregir las interferencias mediante una o varias de las siguientes medidas:


- Reoriente o reubique la antena receptora.
- Aumente la distancia entre el equipo y el receptor.
- Conecte el equipo a una toma de corriente de un circuito diferente al que está conectado el receptor.
- Consulte con el proveedor o un técnico con experiencia en radio/TV para obtener ayuda.

## SÍMBOLOS

	Para reducir el riesgo de lesión, lea el manual de instrucciones
	Lleve protección para la cabeza, oídos y ojos
	Lleve calzado antideslizante
	ADVERTENCIA: La distancia entre la máquina y los transeúntes será de al menos 15 m (50 pies).
	ADVERTENCIA: Tenga cuidado con los objetos lanzados.
	ADVERTENCIA: Cuidado con el empuje de la hoja
	No utilice cuchillas de metal.
	ADVERTENCIA: Desconecte la batería antes del mantenimiento.
	Lleve protección de manos

	Los residuos de equipamientos eléctricos y electrónicos no deben depositarse con las basuras domésticas. Se recogen para reciclarse en centros especializados. Consulte las autoridades locales o su distribuidor para obtener información sobre la organización de la recogida.
	Batería de ión de litio. Este producto se ha marcado con un símbolo relacionado con la "colección separada" para todos los paquetes de baterías y paquetes de baterías. Luego se reciclará o desmontará para reducir el impacto en el medio ambiente. Los paquetes de baterías pueden ser peligrosos para el medio ambiente y para la salud humana, ya que contienen sustancias peligrosas.
	No quemar
	Las baterías pueden entrar en el ciclo del agua si se desechan incorrectamente, lo que puede ser peligroso para el ecosistema. No deseche las baterías usadas como residuos municipales sin clasificar.
	Compruebe que se haya extraído la batería antes de cambiar los accesorios.
	Recortar

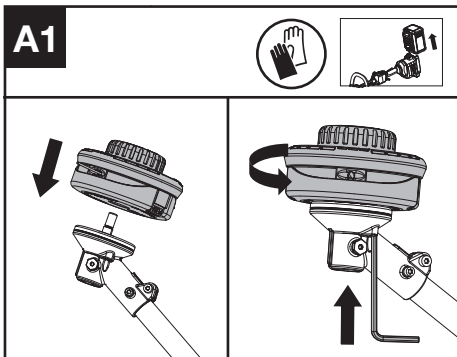
## MONTAJE Y FUNCIONAMIENTO

 **NOTA:** Antes de usar la herramienta lea el manual de instrucciones detenidamente.

 **ANTES DE UTILIZAR:**

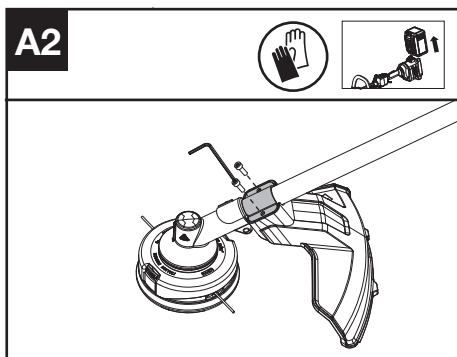
**Montar el cabezal de corte. (véase la Fig. A1)**

Montar el cabezal de corte. Inserte la llave hexagonal en el orificio y gire el cabezal de corte hasta el tope.

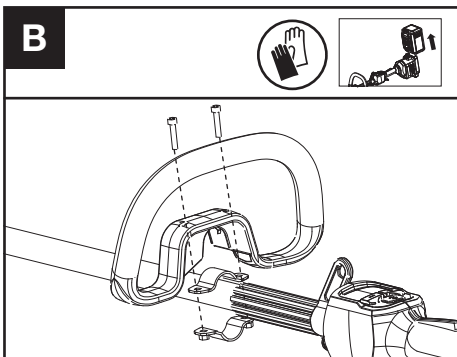


**Montaje de la cubierta protectora (véase la Fig. A2)**

1. Instale la cubierta protectora adecuada para el cabezal de corte.
2. Fije el protector en su lugar con el tornillo y la llave Torx.



**Montaje del mango frontal (véase la Fig. B)**



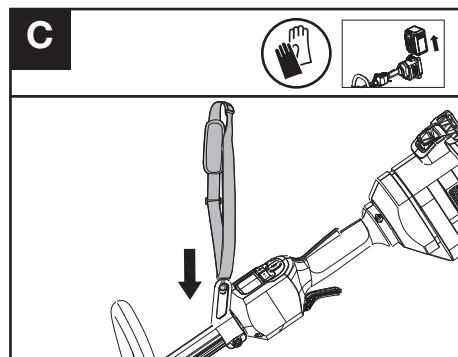
1. Conecte el mango delantero y baje la pinza sobre el vástago.
2. Ponga el perno a través de los orificios.
3. Apriete el mango delantero.

**!** **ADVERTENCIA:** Ajuste el mango delantero según lo desee de manera que

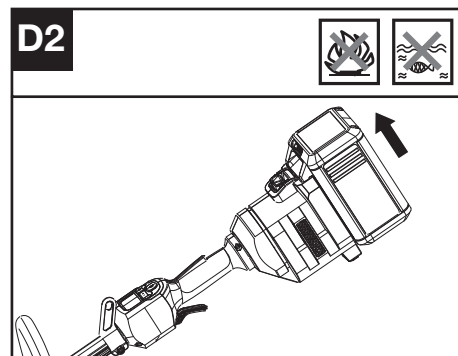
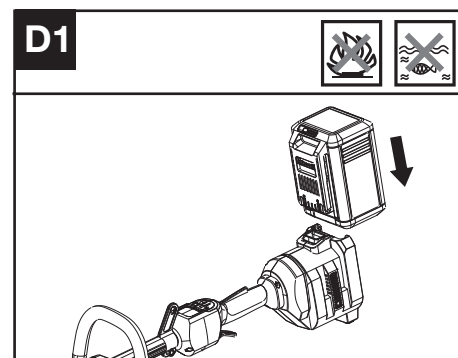
los brazos queden totalmente extendidos hacia delante cuando se utilice el cortabordes.

**Montaje de la correa del hombro (Se vende por separado)(véase la Fig. C)**

1. Ajustar la longitud de la correas de hombro.
2. Conecte el mosquetón de la correa de hombro para accesorios al gancho sobre el eje de el cortabordes.



**Extraer o introducir la batería (Ver Fig. D1, D2)**

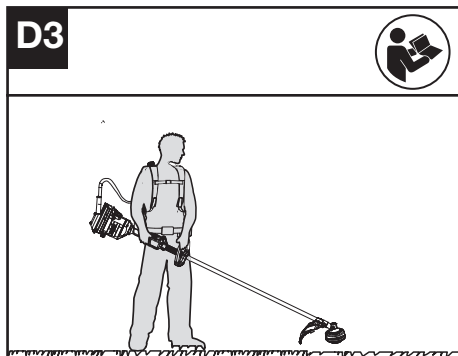


1. Deslizar el grupo de baterías dentro del compartimento de baterías.

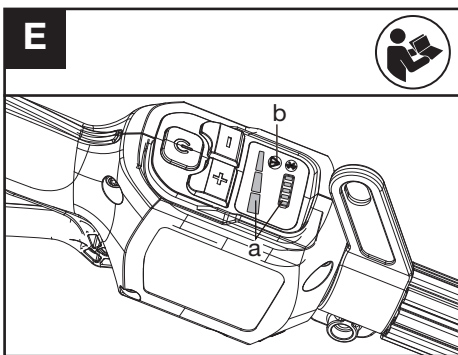
- Presione el cierre de la batería y extraiga la batería.

### Conexión con el arnés de mochila (véase la Fig. D3)

El cortabordes puede conectarse con el arnés de mochila para accesorios (no incluido). Para más información, consulte el manual del arnés de mochila.



### COMPROBACIÓN DE EL CORTABORDES Y DE LA BATERÍA (VÉASE LA FIG. E)



### Comprobación de los controles Interruptor de presencia del operador y gatillo de aceleración

- Retire la batería.
- Intente presionar el gatillo de aceleración. Si puede presionar el gatillo de aceleración sin presionar el interruptor de presencia del operador, el interruptor de presencia del operador está defectuoso. Deje de utilizar el cortabordes y contacte con el servicio técnico.
- Primero mantenga presionado el interruptor de presencia del operador y luego presione el gatillo de aceleración.
- Suelte el gatillo de aceleración y el interruptor de presencia del operador. Si el gatillo de aceleración o el interruptor de presencia del operador se bloquea y no puede volver a su

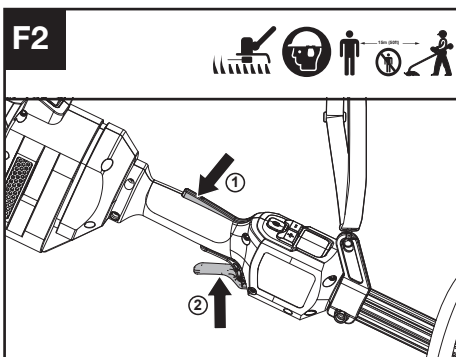
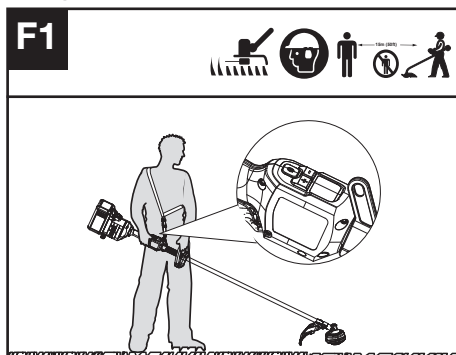
posición inicial, deje de utilizar el cortabordes y contacte con el servicio técnico.

### Comprobación de la pantalla

- Inserte la batería.
- Mantenga presionado el interruptor de encendido/apagado. El producto está encendido cuando la Luz LED (a) se ilumina. El producto está apagado cuando la luz LED (a) está apagada.
- Primero presione el interruptor de presencia del operador y luego presione el gatillo de aceleración para arrancar la máquina. El cabezal de corte gira.
- Si el indicador de advertencia (b) se ilumina o parpadea, consulte la Solución de problemas para obtener soluciones.
- Suelte el gatillo de aceleración. El cabezal de corte deja de girar después de un breve tiempo. Si el cabezal de corte sigue girando, retire la batería y contacte con el servicio técnico.

### FUNCIONAMIENTO:

#### Arranque de el cortabordes (véase la Fig. F1, F2)



- Sujete el cortabordes firmemente con la mano derecha en el mango de manejo, rodee con el pulgar el mango. Sujete el cortabordes firmemente con la mano izquierda en el mango



- auxiliar, rodee con el pulgar el mango.
- Mantenga pulsado el interruptor de encendido/apagado hasta que se encienda la luz LED verde. La luz LED verde indica el nivel de batería.
  - Primero presione el interruptor de presencia del operador y luego presione el gatillo de aceleración para arrancar la máquina. La luz LED verde para encendido y apagado se apaga después de 5 segundos si no se utiliza como procedimiento de seguridad. Cuando no esté cortando, la máquina permanecerá encendida si el usuario mantiene presionado el interruptor de presencia del operador sin operar la máquina. Si la luz LED verde se apaga, se deberá reiniciar el producto.

**NOTA:** El interruptor de presencia del operador está diseñado para prevenir un accionamiento accidental. Cuando presione el interruptor de presencia del operador, se suelta el gatillo de aceleración.

### Seleccionar la velocidad

Según la aplicación, se pueden ajustar 3 niveles de potencia. Utilice +/- para controlar la velocidad. Las luces LED indicarán el nivel de velocidad seleccionado. Cuanto mayor sea el nivel de potencia, más rápido se moverán los accesorios de corte.

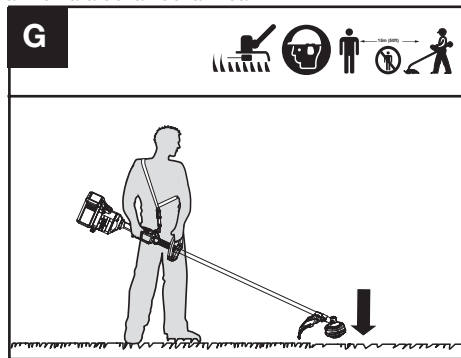
### Parada del cortabordes

Suelte el gatillo de aceleración para parar la máquina.

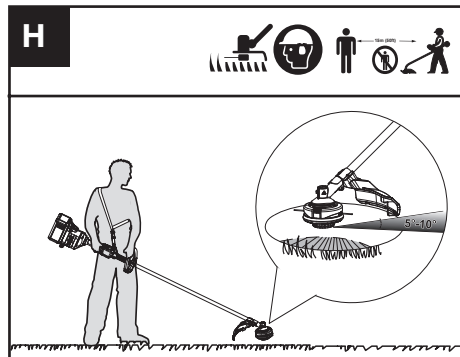
**⚠ ADVERTENCIA!** El cabezal de corte continuará rotando después de apagar la podadora. Espere hasta que se haya detenido completamente para dejar la herramienta.

### Sistema de alimentación de línea en relieve (Ver Fig. G)

El cortabordes está equipado con un sistema de línea en relieve. Simplemente golpee el cabezal de corte mientras la máquina esté funcionando, y se alimentará de la nueva línea.



### Sugerencias para el corte (véase la Fig. H)



- Mueva la el cortabordes de lado a lado a través del área a cortar.
- Usar la punta de la línea de corte para recortar; no forzar el cabezal del hilo dentro de césped sin cortar.
- Las cercas de alambre y estacas pueden provocar desgaste adicional del hilo de corte y rotura. Paredes de piedra y ladrillo, cordones y madera pueden desgastar rápidamente la línea de corte.
- Evite árboles y matorrales. Corcho de árbol, molduras de madera, apartaderos y postes de cerca pueden dañarse fácilmente con la línea de corte.
- El nivel de potencia seleccionado influye en la autonomía de la batería. Cuanto más bajo sea el nivel de potencia, mayor será la autonomía. Se recomienda usar el nivel de potencia más bajo, salvo en las peores condiciones de corte.

### Para las herramientas a batería

El rango de temperatura ambiente recomendado para la descarga es de -20°C ~45°C (-4°F ~113°F). El rango de temperatura ambiente recomendado para el sistema de carga durante el proceso de carga es de -5°C ~45°C (23°F ~113°F).

## TRANSPORTE

### Transporte de la desbrozadora

- Apague el cortabordes y retire la batería.
- Cuando transporte el cortabordes a mano, sostenga el medio del eje con el cabezal de corte hacia atrás para asegurarse de que la máquina está paralela al suelo.
- Cuando transporte el cortabordes en un vehículo, asegúrela y posicíonela para impedir que se mueva o se dañe.

### Transporte de la batería

- Asegúrese de que la batería está en condiciones seguras.
- Utilice embalaje no conductor cuando transporte la batería.

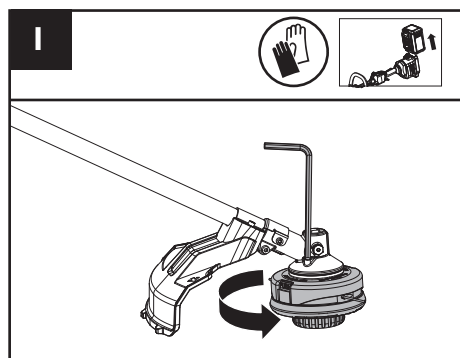
3. Las baterías de iones de litio están sujetas a los requisitos reglamentarios sobre mercancías peligrosas. Transporte las baterías solo cuando su carcasa no esté dañada. Guarde las baterías de tal manera que no se puedan mover en el embalaje.

## MANTENIMIENTO

**!** Extraiga siempre la batería de la desbrozadora después del uso.

Reemplazo del cabezal de corte (véase la Fig. I)

**!** ¡ADVERTENCIA! El uso de alambre o hilo reforzado con metal no está autorizado y podría ser extremadamente peligroso. Use únicamente el hilo de corte recomendado en este manual, en combinación con la cubierta protectora recomendada.



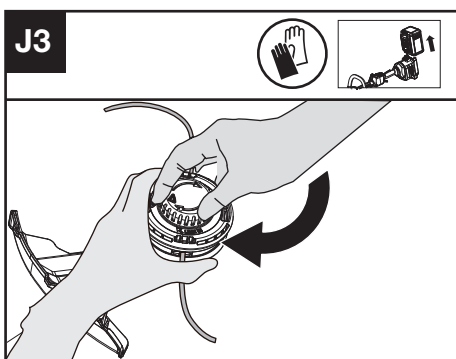
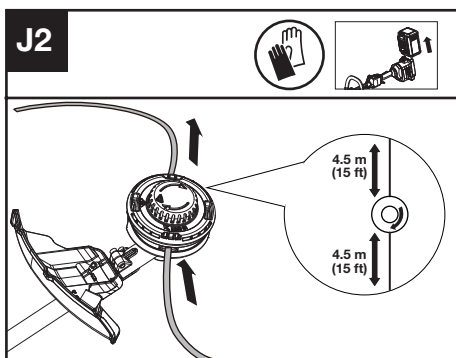
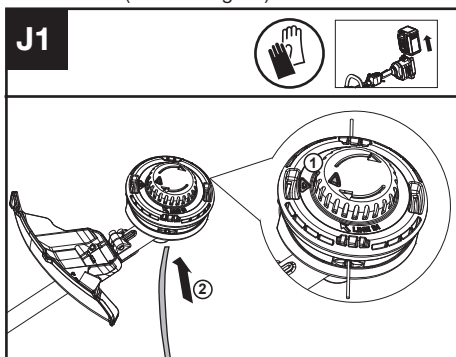
**!** ¡ADVERTENCIA! Un cabezal accesorio de corte dañado o suelto puede vibrar, agrietarse, romperse o desprenderse del cortabordes, lo que puede tener como resultado lesiones graves y fatales o daños materiales. Asegúrese de que el cabezal de corte esté correctamente y firmemente apretado y en buenas condiciones antes de ponerse a trabajar.

1. Inserte la llave hexagonal en el orificio y gire el cabezal de corte hasta el tope.
2. Luego gire en sentido horario para retirarlo, y en sentido antihorario para montarlo.

Enrollando el hilo del cortabordes (Ver Fig. J1, J2, J3)

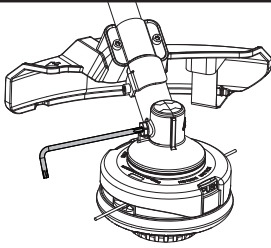
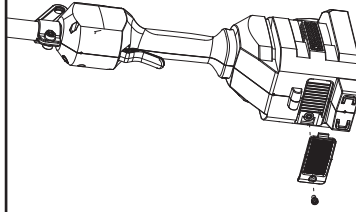
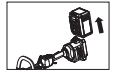
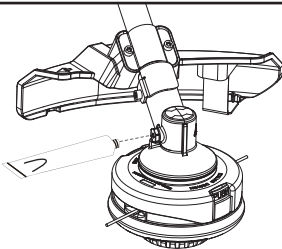
1. Gire la tapa de carrete para alinear los dos símbolos de triángulo (véase la Fig. J1).
2. Inserte el hilo de repuesto por el ojal (entrada de hilo) y sáquelo por el otro ojal. Asegúrese de que los dos extremos del hilo están parejos en cada extremo del cabezal de corte (se recomienda 4.5 m (15 pies)) y corte el hilo (véase la Fig. J2).
3. Gire el dial hacia la derecha para rebobinar el hilo en el carrete hasta que queden 16 cm (6") en

cada lado (véase la Fig. J3).



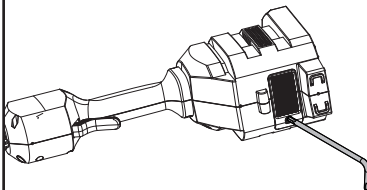
Lubricar la caja de engranajes (véase las Fig. K1, K2)

1. Quite el tornillo de la caja de engranajes.
2. Si no hay grasa para engranajes cónicos en el extremo del tornillo, aplique 5 g de grasa (SHELL Gadus S2 V220 1) para engranajes en la caja de engranajes.
3. Vuelva a colocar el tornillo y apriételo bien.
4. Instale la batería y arranque el cortabordes durante 1 minuto para asegurarse de que el engranaje está bien lubricado.

**K1****L2****K2**

### Limpieza del filtro de aire (véase las Fig. L1, L2)

1. Limpie el área alrededor del filtro de aire. Utilice un paño húmedo o un cepillo suave.
2. Desenrosque y retire el filtro de aire.
3. Limpie el filtro de aire bajo un chorro de agua para eliminar la suciedad.
4. Deje secar el filtro de aire al aire, y luego instálelo en la carcasa apretando el tornillo.

**L1**

### Intervalos de mantenimiento

Se recomienda lubricar la caja de engranajes y limpiar el filtro de aire cada 50 horas de funcionamiento basándose en el uso real del mismo.

## LIMPIEZA

1. Apague el cortabordes y retire la batería.
2. No usar detergentes o disolventes agresivos. Limpiar la máquina después del uso con un trapo húmedo sumergido en detergente neutro.
3. Mantener el enchufe libre de materia extraña, y limpiar con un cepillo o paño suave y seco.
4. No rociar agua sobre el motor ni los componentes eléctricos.
5. No usar limpiador a presión para lavar la máquina.

## ALMACENAMIENTO

1. Retirar el grupo de baterías del recortador antes de almacenarlo.
2. Si la máquina y la batería se mojan en la lluvia durante el funcionamiento, deben secarse antes de su almacenamiento o carga. Retire la batería y vuelva a insertarla si no se puede encender la máquina.
3. Almacene el cortabordes en un lugar seco y seguro que sea inaccesible para niños y otras personas no autorizadas. Retire el accesorio de corte si no se va a usar durante mucho tiempo.
4. Almacene la batería solo dentro del rango de temperatura entre 5 °C (41 °F) y 25 °C (77 °F). Por ejemplo, no deje la batería en el coche en verano.

ES

# SOLUCIÓN DE PROBLEMAS

La siguiente tabla enumera posibles problemas y las acciones que deberá realizar si la máquina no funciona correctamente.



**ADVERTENCIA:** apague la máquina y extraiga la batería antes de proceder con la solución de problemas.

## CORTABORDES


Problemas	Posibles causas	Acción correctiva
El indicador LED de batería parpadea	La tensión de batería es baja.	Cargue la batería.
La luz LED de error parpadea en rojo	Sobrecarga.	El accesorio de corte está atascado. Desactive el producto. Retire la batería. Limpie todos los materiales no deseados del accesorio de corte.
	Problema de temperatura.	Deje que se enfríe el producto.
	El gatillo de aceleración y el interruptor de arranque y parada están presionados a la vez.	Suelte el gatillo de aceleración. Vuelva a efectuar la secuencia de arranque.
	Otros problemas	Contacte con el servicio técnico.
El producto no arranca	Hay suciedad en los conectores de la batería.	Limpie los conectores de la batería con aire comprimido o con un cepillo suave.
	Otros problemas	Contacte con el servicio técnico.
El cortabordes funciona de manera intermitente.	La batería no está bien insertada en la máquina.	Inserte bien la batería.
	Posible problema eléctrico.	Contacte con el servicio técnico.
Excesivas vibraciones/ ruido.	Problema de equilibrio de hilo.	Rebobine el hilo.
	Problema del accesorio de corte. Máquina defectuosa.	Reemplace el accesorio de corte. Contacte con el servicio técnico.

## BATERÍA

Problemas	Posibles causas	Acción correctiva
Luz LED de error	La batería está descargada.	Cargue la batería. Si la batería no carga, contacte con el servicio técnico.
	Problema de temperatura.	Utilice la batería en entornos donde temperaturas estén entre -5°C y 45°C (23°F a 113°F) para la carga; -20°C a 45°C (-4°F a 113°F) para la descarga.
	Otros	Contacte con el servicio técnico.

# DATOS TÉCNICOS

Modelo: **KC100 KC100.X** (1-denominación de la máquina, representa un cortabordes inalámbrico)

	<b>KC100 KC100.X **</b>
Tensión	60 V  MAX ***
Velocidad de corte	4200 / 5100 / 5900 rpm
Diámetro del corte	42 cm (16.5")
Diámetro del hilo	2.4 / 2.7 mm (0.095" / 0.105") nylon line
Grado de protección	IPX4
Peso (sin batería)	4.5 kg (9.9 lbs)

\*\* X = 1-999, A-Z, M1-M9 solo se utilizan para diferentes clientes, no hay cambios relevantes seguros entre estos modelos.

\*\*\* Voltaje medido sin carga. El voltaje inicial máximo de la batería es de 60 voltios. El voltaje nominal es de 54 voltios.

## BATERÍAS Y CARGADORES RECOMENDADOS

Batería	Capacidad	Cargador	Amperage
KAC804	4.0 Ah	KAC840	30 A
KAC810 (Con arnés de mochila)	11.0 Ah		

Le recomendamos que adquiera los accesorios en el mismo distribuidor que le vendió la herramienta. Consulte el embalaje de los accesorios para obtener más detalles. El distribuidor puede ayudarlo y aconsejarle.

ES

## DATOS TÉCNICOS DEL PAQUETE DE BATERÍAS (OPCIONAL)

Bandas de frecuencia para Bluetooth	2400-2483.5 MHz
Potencia transmitida máxima para Bluetooth	8 dBm

## COMBINACIONES DE ACCESORIOS DE CORTE, DEFLECTORES Y SISTEMAS DE TRANSPORTE

Accesorio de corte	Protector antisalpicaduras	Barrera de defensa	Sistema de transporte
- Cabezal de corte de 4" (opcional, no se incluye) - Cabezal de 5"	- Deflector de alta visibilidad - Deflector universal con faldón	- Opcional	- Correa de hombro - Arnés para batería de mochila
- Cuchilla	- Deflector universal sin faldón	- Se requiere	

## INFORMACIÓN SOBRE EL RUIDO

Nivel de presión acústica de ponderación  $L_{pA} = 79.7 \text{ dB(A)}$

$K_{pA}$  3 dB(A)

Nivel de potencia acústica de ponderación  $L_{WA} = 94.94 \text{ dB(A)}$

$K_{WA}$  0.59 dB(A)

Utilice protección auditiva



## INFORMACIÓN SOBRE LAS VIBRACIONES

Frecuencia de vibración típica  $a_n = 2,45 \text{ m/s}^2$

Incertidumbre  $K = 3 \text{ m/s}^2$

**⚠️ ADVERTENCIA:** El valor de emisión de vibraciones durante el uso de la herramienta podría ser distinto al valor declarado dependiendo de la forma en que se use la herramienta según las condiciones siguientes, y otras variaciones sobre el uso de la herramienta:

El modo de uso de la herramienta y los materiales que se cortan o perforan.

El estado general y las condiciones de mantenimiento de la herramienta.

La utilización del accesorio correcto para la herramienta y su correcto mantenimiento afilado y en buenas condiciones.

La firme sujeción de las empuñaduras y la utilización de accesorios antivibración.

El uso de la herramienta conforme a su diseño y estas instrucciones.

**Esta herramienta podría causar síndrome de vibración mano-brazo si no se utiliza correctamente.**

**⚠️ ADVERTENCIA:** Para conseguir una mayor precisión, debe tenerse en cuenta una estimación del nivel de exposición en condiciones reales de todas las partes del ciclo de uso, como los tiempos durante los que la herramienta está apagada o el tiempo que está funcionando al ralentí sin realizar ningún trabajo. Esto podría reducir notablemente el nivel de exposición durante el periodo completo de trabajo.

Cómo minimizar el riesgo de exposición a la vibración. Utilice SIEMPRE cinceles, brocas y cuchillas afiladas. Mantenga esta herramienta de acuerdo con estas instrucciones y bien lubricada (si es necesario).

Si la herramienta se utiliza regularmente, invierta en accesorios antivibración.

Planifique su programa de trabajo para distribuir el uso de la herramienta a lo largo de varios días.

## PROTECCIÓN AMBIENTAL

**⚠️** Los residuos de equipamientos eléctricos y electrónicos no deben depositarse con las basuras domésticas. Se recogen para reciclarse en centros especializados. Consulte las autoridades locales o su revendedor para obtener informaciones sobre la organización de la recogida.

## DECLARACIÓN DE CONFORMIDAD

LOS QUE RECIBEN,  
Positec Germany GmbH  
Postfach 32 02 16, 50796 Cologne, Germany

En nombre de Positec declaran que el producto Descripción **Cortabordes inalámbrico**  
Modelo **KC100 KC100.X (1-denominación de la máquina, representa un cortabordes inalámbrico)**

Función **Cortar hierba y otras plantas blandas similares y recortar la hierba de los bordes**

Cumple con las siguientes Directivas,  
**2006/42/EC, 2014/30/EU, 2011/65/EU&(EU)2015/863 2000/14/EC modificada por 2005/88/EC**

2000/14/EC modificada por 2005/88/EC:  
- Procedimiento de evaluación de la conformidad de acuerdo con **Annex VI**  
- Nivel de presión acústica **94.94 dB (A)**  
- Nivel de intensidad acústica **96 dB (A)**

Notificación realizada por  
Nombre: **Intertek Deutschland GmbH (cuerpo notificado 0905)**  
Dirección: **Stangenstraße 1, 70771 LEINFELDEN-ECHTERDINGEN**

Normativas conformes a,  
**EN 62841-1, FprEN IEC 62841-4-4:2020+FprAA:2021-02, EN 62233, EN ISO 3744, EN IEC 55014-1, EN IEC 55014-2**

La persona autorizada para componer el archivo técnico

Firma **Marcel Filz**  
Dirección **Positec Germany GmbH**  
Postfach 32 02 16, 50796 Cologne, Germany



2022/12/5  
Allen Ding  
Ingeniero Jefe Adjunto, Pruebas y Certificación  
Positec Technology (China) Co., Ltd  
18, Dongwang Road, Suzhou Industrial Park, Jiangsu 215123, P. R. China

# ÍNDICE

Introdução.....	79
Lista de componentes.....	80
Segurança do produto.....	81
Montagem e funcionamento.....	85
Transporte.....	89
Manutenção.....	89
Limpeza.....	90
Armazenamento.....	90
Resolução de problemas.....	91
Especificações técnicas.....	92
Protecção ambiental.....	93
Declaração de conformidade.....	93

PT

## INTRODUÇÃO

Estimado Cliente,

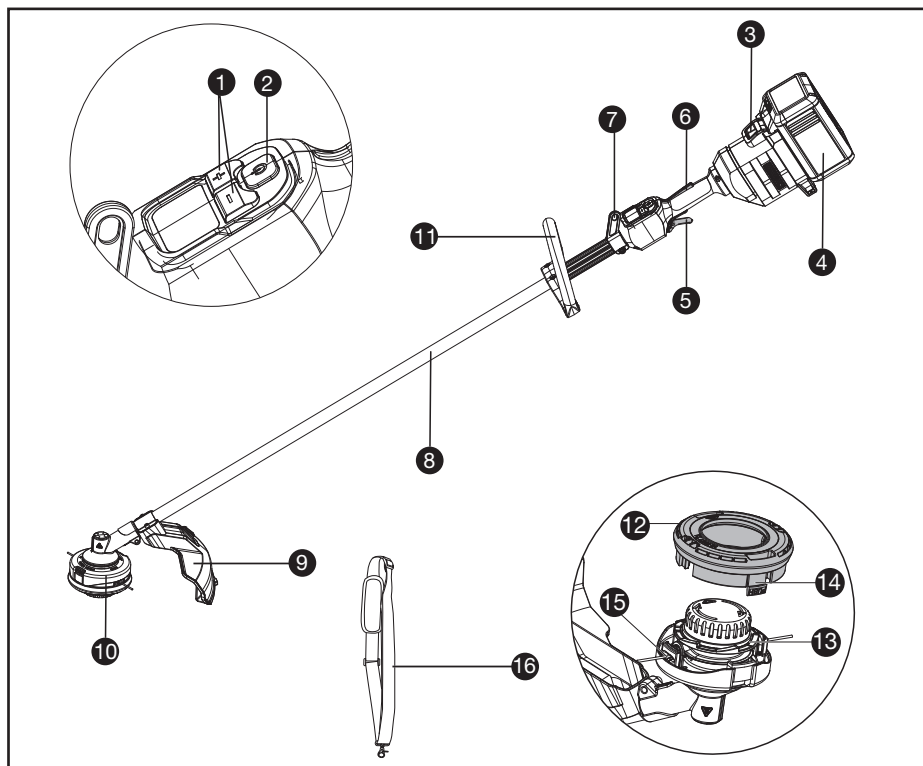
Obrigado por adquirir este produto Kress Commercial. Estamos empenhados em desenvolver produtos de alta qualidade que satisfaçam os seus requisitos comerciais de jardinagem.

A marca Kress é sinónimo de um serviço de qualidade superior. Ao longo dos anos de vida útil dos produtos, se tiver dúvidas ou preocupações relativamente ao produto, contacte o revendedor ou a Equipa de Atendimento ao Cliente para obter assistência.

Estamos confiantes de que irá gostar de trabalhar com o seu produto Kress durante muitos anos.

## UTILIZAÇÃO DE ACORDO COM AS DISPOSIÇÕES

Esta máquina destina-se ao corte de relva e ervas daninhas altas que não possam ser alcançadas com um cortador de relva. Esta máquina é também utilizada em áreas com declives não propícios ao corte de relva.



## LISTA DE COMPONENTES

- |     |                                     |
|-----|-------------------------------------|
| 1.  | CONTROLO DA VELOCIDADE              |
| 2.  | INTERRUPTOR PARA LIGAR/DESLIGAR     |
| 3.  | FECHO DO CONJUNTO DE BATERIA        |
| 4.  | CONJUNTO DE BATERIAS *              |
| 5.  | GATILHO DO REGULADOR                |
| 6.  | INTERRUPTOR DE PRESENÇA DO OPERADOR |
| 7.  | ALÇA DE OMBRO                       |
| 8.  | EIXO                                |
| 9.  | PROJEÇÃO DE DETRITOS                |
| 10. | CABEÇA DO APARADOR                  |
| 11. | PEGA DIANTEIRA                      |
| 12. | TAMPA DA BOBINA                     |
| 13. | BOBINA                              |
| 14. | TRINCO DE LIBERTAÇÃO DA TAMPA       |
| 15. | OLHAL                               |
| 16. | ALÇA *                              |

\* Acessórios ilustrados ou descritos não estão totalmente abrangidos no fornecimento.



# MANUAL ORIGINAL SEGURANÇA DO PRODUTO AVISOS GERAIS DE SEGURANÇA DE FERRAMENTAS ELÉCTRICAS



**AVISO** Leia todos os avisos de segurança, instruções, ilustrações e especificações fornecidos com esta ferramenta eléctrica. Caso não siga todas as instruções listadas de seguida poderá resultar e choque eléctrico, incêndio e/ou lesões graves.

Guarde estas instruções para referência futura. Os termos “ferramenta eléctrica” utilizados em todos os avisos constantes destas instruções referem-se à sua ferramenta eléctrica accionada por bateria (sem cabo de alimentação).

## 1) LOCAL DE TRABALHO

- a) Mantenha o local de trabalho limpo e bem arrumado. Áreas com pouca iluminação e desordenadas podem provocar acidentes.
- b) Não utilize o aparelho em locais onde existam líquidos, gases ou poeiras inflamáveis e onde exista o risco de explosão. As ferramentas eléctricas produzem faíscas que podem inflamar poeiras ou gases.
- c) Mantenha as pessoas e particularmente as crianças afastadas da ferramenta eléctrica durante o seu funcionamento. Qualquer distração pode fazê-lo perder o controlo do berbequim.

## 2) SEGURANÇA ELÉCTRICA

- a) A ficha do berbequim deve encaixar bem na tomada de alimentação. Nunca modifique fichas, seja de que maneira for. Não utilize nenhuma ficha de adaptação com ferramentas eléctricas que tenham ligação à terra. Fichas não modificadas e tomadas de corrente adequadas reduzem o risco de choque eléctrico.
  - b) Evite o contacto do corpo com superfícies ligadas à terra como tubos, aquecedores, fogões e frigoríficos. Existe um aumento do risco de choque eléctrico se o seu corpo estiver em contacto com a terra ou a massa.
  - c) Não opere a máquina em condições de chuva ou humidade. Esta situação pode aumentar o risco de choque eléctrico. Recomenda-se que uma vez molhada durante o funcionamento com chuva, a máquina e a bateria devem ser secas antes de serem armazenadas ou carregadas. Remover a bateria e voltar a inseri-la se a máquina não ligar. Mantenha as ligações da bateria livres de sujidade e resíduos e limpe-as com uma escova ou um pano macio e seco.
  - d) Não maltrate o cabo de alimentação. Nunca utilize o cabo para transportar, puxar ou
- e) desligar o aparelho da tomada de corrente. Mantenha o cabo afastado de fontes de calor, óleos, arestas afiadas ou peças em movimento. Cabos danificados ou enredados aumentam o risco de choque eléctrico.
  - e) Quando trabalhar com uma ferramenta eléctrica ao ar livre, use um cabo de extensão adequado para utilização no exterior. A utilização de um cabo adequado para uso exterior reduz o risco de choque eléctrico.
  - f) Se não puder evitar a utilização de uma ferramenta eléctrica num local húmido, utilize uma fonte de alimentação protegida contra corrente residual. A utilização de um dispositivo com protecção contra corrente residual reduz o risco de choque eléctrico.
- ## 3) SEGURANÇA DE PESSOAS
- a) Esteja atento, observe o que está a fazer e seja prudente sempre que trabalhar com uma ferramenta eléctrica. Não utilize nunca uma ferramenta eléctrica quando estiver cansado ou sob a influência de drogas, álcool ou medicamentos. Um momento de desatenção quando se utiliza uma ferramenta eléctrica pode causar lesões graves.
  - b) Utilize equipamentos de segurança. Use sempre óculos de protecção. Equipamentos de segurança, tais como máscaras protectoras, sapatos de sola antiderrapante, capacetes ou protecções auriculares devidamente utilizados reduzem o risco de lesões.
  - c) Evite o arranque accidental da ferramenta. Certifique-se de que o comutador de alimentação está desligado antes de ligar a ferramenta à fonte de alimentação e/ou à bateria, antes de pegar nela ou antes de a transportar. Se mantiver o dedo no interruptor ou accionar o aparelho enquanto este estiver ligado podem ocorrer acidentes.
  - d) Remova quaisquer chaves de ajuste ou de porcas antes de ligar a ferramenta eléctrica. Chaves de porcas ou de ajuste fixadas a peças móveis do berbequim podem causar lesões.
  - e) Não exceda as suas próprias capacidades. Mantenha sempre o corpo em posição firme e de equilíbrio, o que lhe permite controlar melhor a ferramenta eléctrica em situações imprevistas.
  - f) Use roupa apropriada. Não use vestuário solto ou artigos de joalheria. Mantenha o cabelo e as roupas e luvas afastados das peças móveis. Roupas soltas, artigos de joalheria ou cabelos compridos podem ser agarrados por peças em movimento.
  - g) Se forem fornecidos dispositivos para a montagem de unidades de extracção ou recolha de resíduos, Assegure-se de que são montados e utilizados adequadamente. A utilização destes dispositivos pode reduzir os perigos relacionados com a presença de resíduos.
  - h) Não permita que a familiaridade obtida do

uso frequente de ferramentas o tornem complacente o o faça ignorar os princípios de segurança da ferramenta. *Uma ação descuidada pode causar lesões graves numa fração de segundo.*

#### 4) UTILIZAÇÃO E MANUTENÇÃO DA FERRAMENTA ELÉCTRICA

a) **Não force a ferramenta. Utilize a ferramenta eléctrica apropriada para cada aplicação.**

*A utilização da ferramenta eléctrica apropriada executa o trabalho de forma melhor e mais segura, à velocidade para a qual foi concebida.*

b) **Não utilize esta ferramenta se o interruptor estiver deficiente, não ligado ou desligado. Qualquer ferramenta eléctrica que não possa ser controlada pelo interruptor é perigosa e deve ser reparada.**

c) **Desligue a ficha da tomada eléctrica e/ ou remova o conjunto de pilhas, caso seja possível removê-lo, da ferramenta eléctrica antes de realizar quaisquer ajustes, substituir acessórios ou armazenar ferramentas eléctricas. Estas medidas de segurança preventivas reduzem o risco de activação acidental da ferramenta.**

d) **Quando não estiver a usar a ferramenta eléctrica, guarde-a fora do alcance das crianças e não deixe que esta seja utilizada por pessoas que não a conheçam, nem tenham lido as instruções. As ferramentas eléctricas são perigosas nas mãos de utilizadores inexperientes.**

e) **Realize a manutenção de ferramentas eléctricas e acessórios. Verifique quaisquer desalinhamentos, encaixes de peças móveis, quebras e outras condições que possam afectar o funcionamento. Se esta ferramenta estiver avariada, mande-a reparar antes a utilizar. Muitos acidentes são causados pela manutenção deficiente de ferramentas eléctricas.**

f) **Mantenha as ferramentas de corte limpas e afiadas. As ferramentas de corte com manutenção adequada e arestas de corte afiadas têm menos probabilidades bloquear e são mais fáceis de controlar.**

g) **Utilize a ferramenta eléctrica, acessórios, brocas, etc. em conformidade com estas instruções e da forma prevista para este tipo específico de ferramenta, tendo em conta as condições presentes e o trabalho a executar. A utilização de ferramentas eléctricas para aplicações diferentes daquelas a que se destinam pode levar a situações de perigo.**

h) **Mantenha as pegas e as superfícies de aderência secas, limpas e sem óleo e massa lubrificante. As pegas e superfícies de aderência escorregadias não permitem o manuseamento e controlo seguros da ferramenta em situações inesperadas.**

#### 5) USO E TRATAMENTO DE APARELHOS COM ACUMULADOR

a) **Apenas deverá carregar em carregadores, acumuladores recomendados pelo fabricante. Um carregador que é apropriado para um tipo de acumulador, pode causar um incêndio se se for utilizado para carregar outros acumuladores.**

b) **Apenas utilize nas ferramentas eléctricas os acumuladores previstos. A utilização de outros acumuladores pode levar a lesões e riscos de incêndio.**

c) **Quando o acumulador não estiver em uso, mantenha-o afastado de outros objectos de metal, como por exemplo agrafos, moedas, chaves, pregos, parafusos, ou outros pequenos objectos metálicos que possam ligar em ponte os contactos. Um curto circuito entre os contactos do acumulador pode causar queimaduras ou incêndio.**

d) **Aplicações inadequadas podem provocar fugas do líquido do acumulador. Evite o contacto com este líquido. No caso de um contacto acidental, lave imediatamente com água fresca. Se o líquido entrar em contacto com os olhos, procure um auxílio médico. O líquido que escapa do acumulador pode levar a irritações ou queimaduras da pele.**

e) **Não utilize um conjunto de baterias ou ferramenta que esteja danificado ou tenha sido modificado. As baterias danificadas ou modificadas podem exibir um comportamento imprevisível, resultando em incêndio, explosão ou risco de lesão.**

f) **Não exponha um conjunto de baterias ou ferramenta ao fogo ou temperatura excessiva. A exposição ao fogo ou temperatura superior a 130 °C pode causar explosão.**

g) **Siga todas as instruções de carregamento e não carregue o conjunto das baterias ou ferramenta fora do intervalo de temperatura especificado nas instruções. O carregamento indevido ou a temperatura fora do intervalo especificado pode danificar a bateria e aumentar o risco de incêndio.**

#### 6) ASSISTÊNCIA TÉCNICA

a) **A sua ferramenta eléctrica só deve ser reparada por um técnico de assistência qualificado e devem ser apenas utilizadas peças de substituição genuínas, mantendo assim a segurança da ferramenta.**

b) **Nunca faça a manutenção de conjuntos de baterias danificados. A manutenção de conjuntos de baterias só deve ser efetuado pelo fabricante ou prestadores de serviço autorizados.**

## AVISOS DE SEGURANÇA DA ROÇADORA DE ESCOVAS E DA SERRA DE ESCOVAS

a) **Não utilize a máquina com más condições climáticas, especialmente quando existir**

- o **risco de relâmpagos**. Isto diminui o risco de ser atingido por um raio.
- b) **Inspeção minuciosamente a área onde a máquina será usada relativamente à presença de animais selvagens.** Os animais selvagens podem ser feridos pela máquina durante a operação.
- c) **Inspeção minuciosamente a área onde a máquina será usada e remova todas as pedras, paus, arames, ossos e outros objetos estranhos.** Os objetos projetados podem causar ferimentos pessoais.
- d) **Antes de usar a máquina, inspecione-a sempre visualmente para ver se a lâmina ou o conjunto da lâmina não está danificado.** As peças danificadas aumentam o risco de ferimentos.
- e) **Siga as instruções de mudança de acessórios.** As porcas ou parafusos da lâmina incorretamente apertados poderão danificar a lâmina ou fazer com que a mesma se solte.
- f) **A velocidade nominal de rotação da lâmina tem de ser, pelo menos, igual à velocidade nominal máxima indicada na máquina.** As lâminas com uma velocidade superior à respetiva velocidade nominal de rotação podem partir-se e soltar-se.
- g) **Use proteção para olhos, ouvidos, cabeça e mãos.** Um equipamento de proteção adequado reduzirá os ferimentos pessoais causados pela projeção de resíduos ou pelo contacto acidental com a linha de corte ou lâmina.
- h) **Durante a operação da máquina, use sempre calçado de proteção.** Não opere a máquina quando estiver descalço ou com sandálias abertas. Isto reduz a probabilidade de sofrer ferimentos nos pés pelo contacto com a lâmina ou linha de corte em movimento.
- i) **Durante a operação da máquina, use sempre calças compridas.** A pele exposta aumenta a probabilidade de ferimentos por objetos projetados.
- j) **Mantenha os transeuntes afastados durante o funcionamento da máquina.** Os objetos projetados podem causar ferimentos pessoais graves.
- k) **Use sempre as duas mãos quando operar a máquina.** Ao segurar a máquina com as duas mãos evitará a perda de controlo.
- l) **Segure a máquina apenas pelas superfícies da pega isoladas only, uma vez que a linha de corte ou a lâmina poderá entrar em contacto com cablagem oculta.** A linha de corte ou as lâminas em contacto com um cabo "ativo" poderá "ativar" as peças de metal expostas da máquina e causar um choque elétrico no operador.
- m) **Mantenha sempre uma boa base de apoio e opere apenas a máquina quando esta estiver no chão.** As superfícies escorregadias e instáveis podem causar perda de equilíbrio ou de controlo da máquina.
- n) **Não opere a máquina em áreas com grande inclinação.** Isto reduz o risco de perda de controlo, escorregar e cair, o que pode resultar em ferimentos pessoais.
- o) **Ao trabalhar em áreas inclinadas, certifique-se sempre de que tem uma boa base de apoio, trabalha no sentido transversal da inclinação, nunca a subir ou a descer, e tenha extrema cautela ao mudar de direção.** Isto reduz o risco de perda de controlo, escorregar e cair, o que pode resultar em ferimentos pessoais.
- p) **Mantenha todas as partes do corpo afastadas da linha de corte ou lâmina quando a máquina estiver em funcionamento.** Antes de ligar a máquina, certifique-se de que a linha de corte ou lâmina não está em contacto com nada. Um momento de desatenção durante o funcionamento da máquina pode resultar em ferimentos em si e nos outros.
- q) **Não opere a máquina acima da altura da cintura.** Isto ajuda a evitar o contacto não desejado com a linha de corte ou lâmina e permite um melhor controlo da máquina em situações inesperadas.
- r) **Ao cortar arbustos ou brotos sob tensão, tenha cuidado com o efeito de retorno da mola.** Quando a tensão nas fibras de madeira é libertada, o arbusto ou broto pode atingir o operador e/ou deixar a máquina fora de controlo.
- s) **Tenha muito cuidado quando cortar arbustos e brotos.** O material delgado pode apanhar a lâmina e ser projetado em direção a si ou deixá-lo desequilibrado.
- t) **Mantenha o controlo da máquina e não toque nas linhas de corte ou lâminas, bem como noutras peças móveis perigosas enquanto as mesmas estão em movimento.** Isto reduz o risco de ferimentos ocasionados pelas partes móveis.
- u) **Transporte a máquina desligada e afastada do corpo.** O manuseio adequado da máquina reduzirá a probabilidade de contacto acidental com uma linha de corte ou lâmina.
- v) **Ao transportar ou guardar a máquina, encaixe sempre a cobertura nas lâminas de metal.** O manuseio adequado da máquina reduzirá a probabilidade de contacto acidental com a lâmina.
- w) **Use apenas linhas de corte, cabeças de corte e lâminas de substituição especificadas pelo fabricante.** As peças de substituição incorretas podem aumentar o risco de danos e ferimentos.
- x) **Ao remover material encravado ou ao fazer a manutenção da máquina, certifique-se de que está desligada e que a bateria está removida.** O acionamento inesperado da máquina, enquanto remove qualquer material encravado ou faz a respetiva manutenção, pode resultar em ferimentos pessoais graves.

## CAUSAS DO IMPULSO DA LÂMINA E AVISOS

## RELACIONADOS

O impulso da lâmina é um movimento lateral repentino, para a frente ou para trás da máquina, que pode ocorrer quando a lâmina encrava ou apanha um objeto como um rebento ou um tronco de árvore. Pode ser suficientemente violento para fazer com que a máquina e/ou o operador sejam impelidos em qualquer direção, e possivelmente perder o controlo da máquina.

O impulso da lâmina e os seus perigos relacionados podem ser evitados tomando as precauções adequadas, como indicado abaixo.

- a) Mantenha um aperto firme com ambas as mãos na máquina e posicione os braços para resistir ao impulso da lâmina. Posicione o seu corpo para o lado esquerdo da máquina. O impulso da lâmina pode aumentar o risco de ferimentos devido ao movimento inesperado da máquina. *O impulso da lâmina pode ser controlado pelo operador, se forem tomadas precauções adequadas.*
- b) Se a lâmina prender, ou ao interromper um corte por qualquer motivo, desligue a máquina e mantenha-a imóvel no material até a lâmina parar completamente. Enquanto a lâmina estiver presa, nunca tente remover a máquina do material ou puxar a máquina para trás enquanto a lâmina estiver em movimento, pois nesse caso pode ocorrer um impulso da lâmina. *Verifique o que se passa e tome medidas corretivas para eliminar a causa da prisão da lâmina.*
- c) Não utilize lâminas rombas ou danificadas. *As lâminas rombas ou danificadas aumentam o risco de encravar, ou apanhar um objeto, resultando num impulso da lâmina.*
- d) Mantenha sempre uma boa visibilidade do material a ser cortado. *É mais provável que o impulso da lâmina ocorra em áreas onde é difícil ver o material a ser cortado.*
- e) Se for abordado por outra pessoa durante a operação, desligue a máquina. *Existe um risco acrescido de ferimentos e de outras pessoas serem atingidas pela lâmina em movimento em caso de impulso da lâmina.*

a outro. Um curto-circuito dos terminais da bateria pode provocar queimaduras ou um incêndio.

- c) Não exponha a bateria ao calor ou a incêndios. Evite o armazenamento à exposição de luz solar directa.
- d) Não exponha a bateria ao choque eléctrico.
- e) Em casos de fugas na bateria, não permita que o líquido entre em contacto com a pele ou olhos. Caso entre em contacto, lave a área afectada com quantidades abundantes de água e procure aconselhamento médico.
- f) Mantenha a bateria limpa e seca.
- g) Limpe os terminais da bateria com um pano limpo e seco em caso de sujidade.
- h) A bateria necessita de ser carregada antes de ser utilizada. Consulte sempre estas instruções e utilize o procedimento de carga correcto.
- i) Não mantenha a bateria a carregar quando não for utilizada.
- j) Após longos períodos de tempos de armazenamento, pode ser necessário carregar e descarregar a bateria diversas vezes para obter o desempenho máximo.
- k) Recarregue apenas com o carregador especificado pela Kress. Não utilize um carregador que não se encontra especificado para a utilização com o equipamento.
- l) Não utilize uma bateria que não se encontra concebida para a utilização com o equipamento.
- m) Mantenha a bateria fora do alcance das crianças.
- n) Preserve as informações originais do produto para futura referência.
- o) Retire a bateria do equipamento quando não estiver em utilização.
- p) Elimine-a de forma adequada.
- q) Não misture pilhas de diferente fabrico, capacidade, tamanho ou tipo num dispositivo.
- r) Mantenha a bateria longe de fornos microondas e altas pressões.

## AVISOS DE SEGURANÇA PARA A BATERIA

- a) Não desmonte, abra ou corte as células da bateria.
- b) Não submeta a bateria a curto-circuitos. Não armazene as baterias ao acaso numa caixa ou gaveta onde possam provocar um curto-circuito ou submetidas a curto-circuitos por materiais condutores. Quando não estiver a utilizar a bateria, mantenha-a afastada de outros objectos metálicos, como cliques, moedas, chaves, pregos, parafusos ou outros pequenos objectos de metal, que possam realizar uma ligação de um terminal

## REQUISITOS DO MANUAL DO UTILIZADOR PARA PRODUTOS SEM FIO






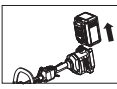

- a) A operação deste aparelho está sujeita às duas condições seguintes:
  - (1) Este aparelho não pode causar interferências prejudiciais, e
  - (2) Este aparelho deve aceitar quaisquer interferências, incluindo interferências que possam causar um funcionamento indesejado.
- b) Atenção: Quaisquer alterações ou modificações que não foram expressamente aprovadas pela parte responsável da conformidade, podem anular a autoridade do utilizador para operar

este equipamento.

- c) **NOTA:** Este equipamento gera, utiliza e pode radiar energia de radiofrequência e, se não for instalado e utilizado de acordo com as instruções, poderá causar interferência nociva em comunicações de rádio. No entanto, não existem quaisquer garantias de que não ocorram interferências numa instalação particular. Se este equipamento causar uma interferência prejudicial à receção de rádio ou televisão, o que pode ser determinado ao ligar e desligar o equipamento, recomenda-se que o utilizador tente corrigir esta interferência mediante uma ou mais das seguintes medidas:
- Reorientar ou reposicionar a antena recetora.
  - Aumentar a distância entre o equipamento e o recetor.
  - Ligar o equipamento a uma tomada num circuito diferente daquele ao qual o recetor está ligado.
  - Consultar o vendedor ou um técnico de rádio/TV experiente para obter ajuda.


## SÍMBOLOS

	Para reduzir o risco de ferimentos o utilizador deve ler o manual de instruções
	Use proteção para os olhos, ouvidos e cabeça
	Use calçado antiderrapante
	AVISO – A distância entre a máquina e os transeuntes deve ser de, pelo menos, 15 m (50ft)"
	AVISO – Tenha cuidado com os objetos projetados.
	AVISO – Tenha cuidado com os objetos projetados.
	Não use lâminas de metal.
	AVISO – Desligue a bateria antes de executar qualquer operação de manutenção.

	Use proteção para as mãos
	Os equipamentos eléctricos não devem ser depositados com o lixo doméstico. Se existirem instalações adequadas deve reciclá-los. Consulte a sua autoridade local para tratamento de lixos ou fornecedor para obter aconselhamento sobre reciclagem.
	Bateria de íões de lítio Este produto foi marcado com um símbolo relacionado com a “recolha separada” de todos os conjuntos de baterias e o conjunto de bateria. Será reciclada ou desmantelada para reduzir o impacto no meio ambiente. Os conjuntos de baterias podem ser perigosos para o meio ambiente e para a saúde humana, uma vez que contêm substâncias perigosas.
	Não queimar
	As baterias poderão entrar no ciclo hídrico caso sejam descartadas indevidamente, o que pode representar perigo para o ecossistema. Não elimine as baterias usadas como resíduos municipais não separados.
	Certifique-se de que a bateria é removida antes de substituir os acessórios.
	Corte

PT

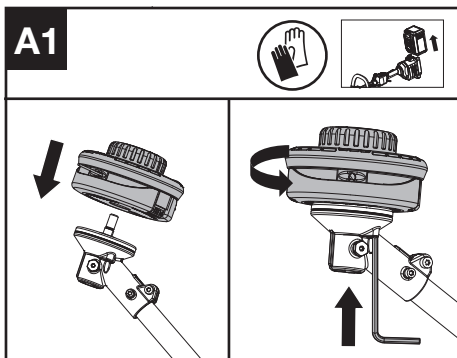
## MONTAGEM E FUNCIONAMENTO

-  **NOTA:** Antes de utilizar a ferramenta, leia atentamente o livro de instruções.

 **ANTES DE USAR:**

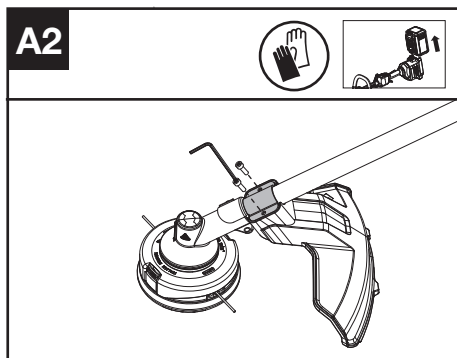
**Encaixe a cabeça de corte (ver a Fig. A1)**

Encaixe a cabeça de corte. Insira a chave hexagonal no orifício e rode a cabeça do aparador até esta parar numa posição bloqueada.

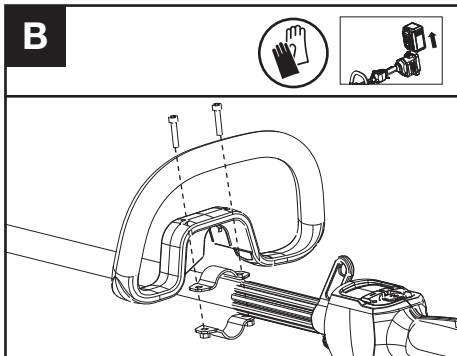


### Montagem da Proteção contra a projeção de detritos (ver a Fig. A2)

1. Instale a Proteção antiprojeção de detritos correta para a cabeça do aparador.
2. Fixe a proteção no local usando a chave de parafusos e a chave torx.



### Montagem da pega dianteira (ver a Fig. B)



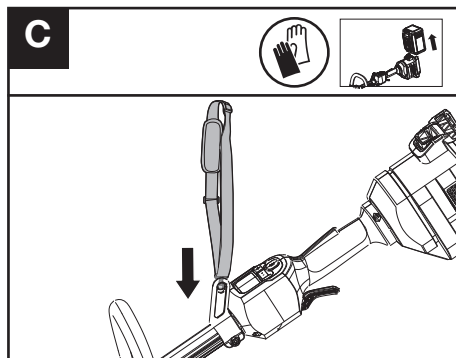
1. Fixe a pega dianteira e baixe o grampo no veio.

2. Enfie o parafuso através dos orifícios.
3. Aperte a pega dianteira.

**!** AVISO: Ajuste a pega dianteira conforme desejado, de modo a certificar-se de que o braço que coloca mais à frente fica direito quando utilizar o aparador.

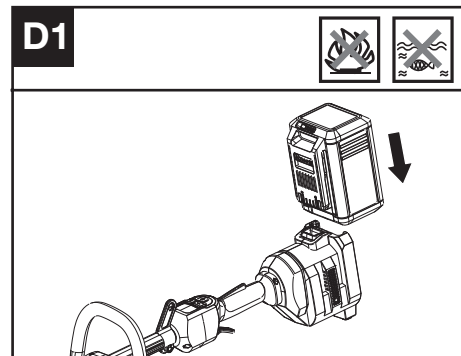
### Montagem da alça de ombro (Vendido separadamente) (ver a Fig. B)

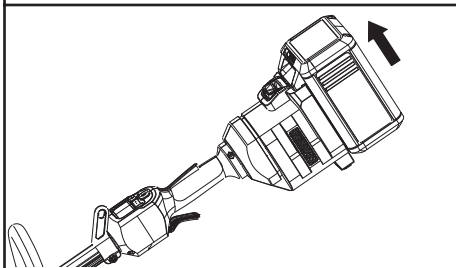
1. Ajuste o comprimento da alça para o ombro.
2. Ligue o mosquetão da alça acessória para o ombro ao ponto de montagem no veio do aparador.



### Como Retirar Ou Instalar O Conjunto De Baterias (Veja Figura. D1, D2)

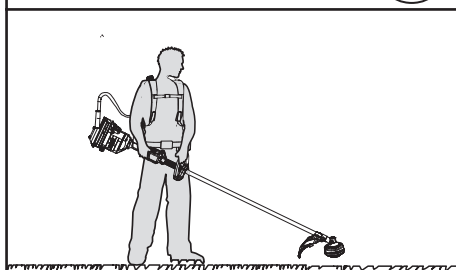
1. Deslize o módulo da bateria para dentro do compartimento da bateria.
2. Prima o fecho de fixação da bateria e remova-a do berbequim.



**D2**

### Ligar ao arnês da mochila (Ver a Fig. D3)

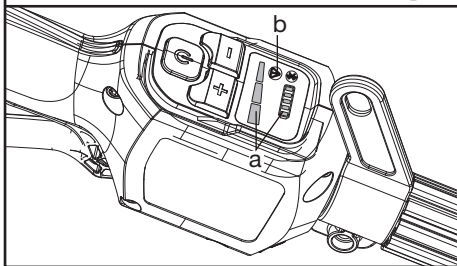
O aparador pode ser ligado a um arnês de mochila acessório (não fornecido). Consulte o manual do arnês da mochila para mais informações.

**D3**

### TESTE DO APARADOR E DA BATERIA (VER A FIG. E)

#### Verificação dos controles Interruptor de presença do operador e gatilho do regulador

1. Remova a bateria.
2. Tente premir o gatilho do regulador. Se o gatilho do regulador puder ser premido sem carregar no interruptor de presença do operador, é porque este último está defeituoso. Deixar de usar o aparador e contactar o Agente do Serviço Assistência Técnica.
4. Segure e prima primeiro o interruptor de presença do operador e depois prima o gatilho do regulador.
5. Solte o gatilho do regulador e o interruptor de presença do operador. Se o gatilho do regulador ou o interruptor de presença do operador ficarem presos e não conseguirem voltar à sua posição original. Deixar de usar o aparador e contactar o Agente do Serviço Assistência Técnica.

**E**

#### Verificação do visor

1. Introduza a bateria.
2. Segure e prima o interruptor para ligar/desligar. O produto está ligado quando o LED (a) está aceso. O produto está desligado quando o LED (a) está apagado.
3. Prima primeiro o interruptor de presença do operador, depois prima o gatilho do regulador para ligar a máquina. A cabeça do aparador gira.
4. Se o indicador de aviso (b) acender ou estiver a piscar, consulte a secção de **Resolução de problemas** para obter soluções.
5. Solte o gatilho do regulador. A cabeça do aparador para de rodar passado algum tempo. Se a cabeça do aparador continuar a rodar, remova a bateria e contacte o Agente do Serviço Assistência Técnica.

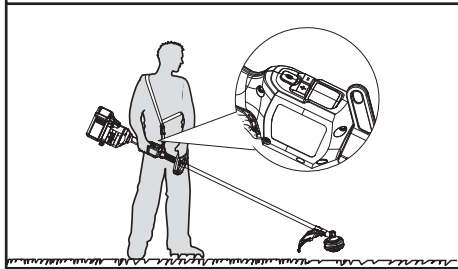
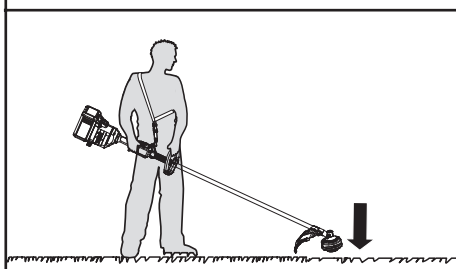
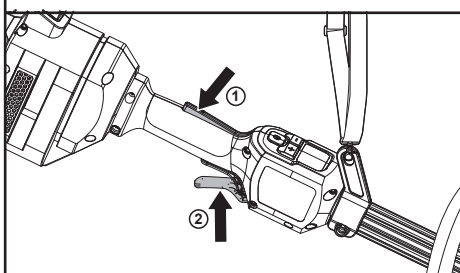
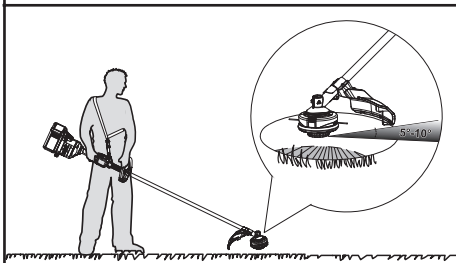
#### OPERAÇÃO:

#### Pôr o aparador a funcionar (Ver a Fig. F1, F2)

1. Segure firmemente o aparador com a mão direita pela pega de controlo – enrole o polegar à volta da pega. Segure o aparador com a mão esquerda na pega auxiliar – enrole o polegar à volta da pega.
2. Segure e prima o interruptor para ligar/desligar até que o LED verde se acenda. O LED verde mostra o nível de potência.
3. Prima primeiro o interruptor de presença do operador, depois prima o gatilho do regulador para ligar a máquina. O LED verde para ligar/desligar apaga-se após 5 segundos se não estiver a ser utilizado, como procedimento de segurança. Quando não estiver a cortar, a unidade permanecerá ligada se o interruptor de presença do operador for mantido em baixo sem a máquina funcionar. Se o LED verde se apagar, será necessário ligar de novo o produto.

**NOTA:** O interruptor de presença do operador foi concebido para evitar o funcionamento acidental. Ao premir o interruptor de presença do operador, solta o gatilho do regulador.

PT

**F1****G****F2****Dicas para cortar (Veja Figura. H)****H**

## Seleção da velocidade

Dependendo da aplicação, podem ser definidos 3 níveis de potência. Use +/- para controlar a velocidade. Os LED indicam o nível de velocidade selecionado. Quanto maior for o nível de potência, mais rápido o acessório de corte pode funcionar.

## Parar o aparador

Solte o gatilho do regulador, para parar a máquina.

**AVISO!** A cabeça do cortador continua a rodar depois de desligar a máquina; ser desligada, espere até ela parar para pousar a ferramenta.

## Sistema de alimentação de linha de retorno (Veja Figura. G)

O aparador está equipado com um sistema de linha de retorno. Apenas bata na cabeça do aparador enquanto a máquina estiver em funcionamento, uma nova linha será alimentada.

1. Gire o aparador de um lado para o outro na área a ser cortada.
2. Use a ponta do fio de corte para fazer aparar; não force a cabeça do aparador para dentro da relva não cortada.
3. As cercas de arame e estacas podem causar desgaste extra do fio de corte e a sua ruptura. Paredes de pedra e tijolo, lancis e madeira podem desgastar o fio de corte rapidamente.
4. Evite árvores e arbustos. Cascas de árvores, molduras de madeira, tapumes e postes de cercas podem ser facilmente danificados pelo fio de corte.
5. O nível de energia selecionado afeta o tempo de funcionamento da bateria. Quanto mais baixo for o nível de potência, maior será o tempo de funcionamento. Recomenda-se a utilização do nível de potência mais baixo, a menos que existam piores condições de corte.

## PARA FERRAMENTAS ELÉTRICAS

O intervalo de temperatura ambiente recomendado para descarga é -20°C ~ 45°C (-4°F ~ 113°F).

O intervalo de temperatura ambiente recomendado para o sistema de carregamento durante o carregamento é entre -5°C ~ 45°C (23°F ~ 113°F).



# TRANSPORTE

## Transporte do aparador

1. Desligue o aparador e retire a bateria.
2. Quando transportar o seu aparador à mão, segure pelo meio do veio, com a cabeça de corte para trás, e certifique-se de que a sua máquina está paralela ao chão.
3. Quando transportar o seu aparador num veículo, fixe-o e posicione-o de modo a evitar qualquer movimento ou danos.

## Transporte da bateria

1. Certifique-se de que a bateria está em condições de segurança.
2. Use uma embalagem não condutora ao transportar a bateria.
3. As baterias de iões de lítio que contém estão sujeitas aos requisitos da legislação sobre mercadorias perigosas. Transporte as baterias apenas quando o compartimento da bateria não estiver danificado. Embale as baterias de forma a que não se possam movimentar dentro da embalagem.

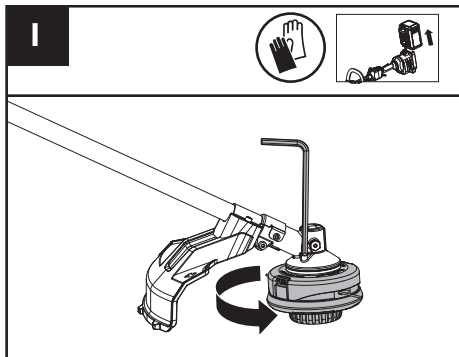
# MANUTENÇÃO

**!** Remova sempre o conjunto de pilhas do seu cortador após a utilização.

**Substituição da cabeça do aparador (Ver a Fig. I)**

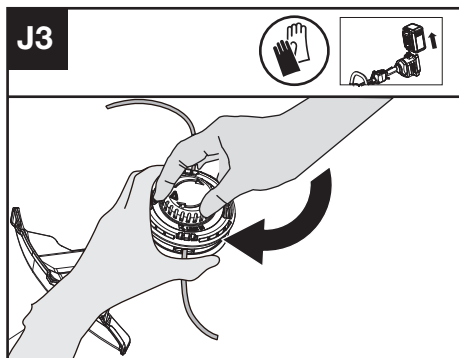
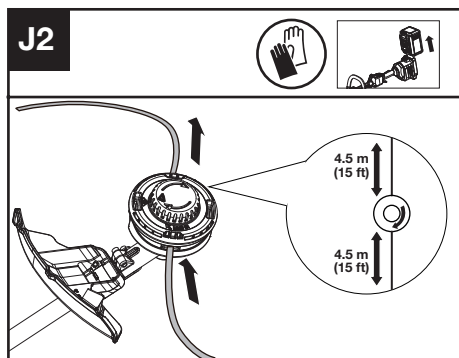
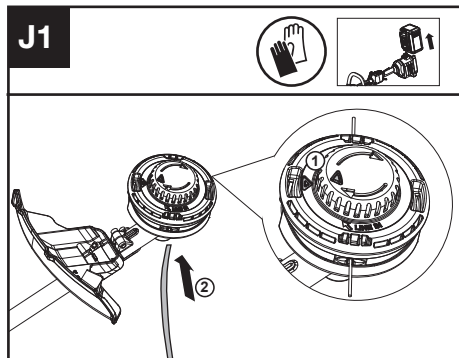
**!** AVISO! O uso de arame ou fio reforçado com metal não é autorizado e pode ser extremamente perigoso. Utilize apenas o fio de corte recomendado neste manual, em combinação com a proteção contra a projeção de detritos recomendada.

**!** AVISO! Uma cabeça de corte danificada ou solta pode vibrar, rachar, partir ou sair do aparador, o que pode resultar em lesões graves ou mesmo fatais, ou em danos materiais. Certifique-se de que a cabeça do aparador está correta e firmemente apertada e em bom estado antes de iniciar o trabalho.



1. Insira a chave hexagonal no orifício e rode a cabeça do aparador até esta parar numa posição bloqueada.
2. Em seguida, rode no sentido horário para removê-la, e no sentido anti-horário para montá-la.

## Enrolando a linha do aparador (Veja Figura J1, J2, J3)



1. Rode a tampa da bobina para alinhar os dois ícones triangulares. (Ver Fig. J1)
2. Insira o fio de substituição através do ilhós (entrada do fio) e passe-o através do outro ilhós. Certifique-se de que ambas as extremidades

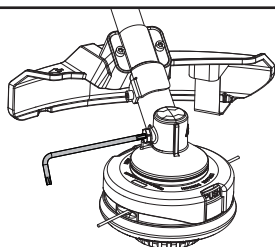
do fio estão uniformes em cada extremidade da cabeça do aparador [recomenda-se 4.5 metros (15 pés) e corte o fio. (Ver Fig. J2)

3. Rode o mostrador no sentido dos ponteiros do relógio para enrolar o fio à volta do carretel até ficarem cerca de 16 cm (6") em ambos os lados. (Ver Fig. J3)

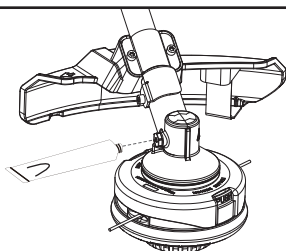
### Lubrificar a caixa de engrenagens (Ver a Fig. K1, K2)

1. Remova o parafuso da caixa de engrenagens.
2. Se não houver lubrificante na engrenagem biselada na extremidade do parafuso, esprema 5 g de massa lubrificante (SHELL Gadus S2 V220 1) de engrenagens para dentro da caixa de engrenagens.
3. Volte a montar e aperte o parafuso com firmeza.
4. Instale a bateria e faça funcionar o aparador durante 1 minuto para garantir que a engrenagem está lubrificada uniformemente.

**K1**



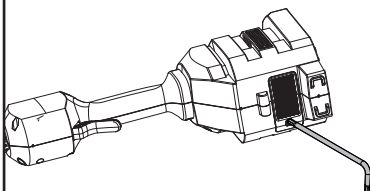
**K2**



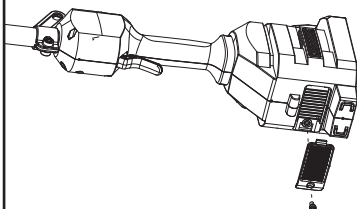
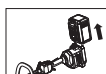
### Limpar o filtro de ar (Ver a Fig. L1, L2)

1. Limpe a área em redor do filtro de ar. Utilizar um pano húmido ou uma escova macia.
2. Desaparafuse e remova o filtro de ar.
3. Lave o filtro de ar com água corrente para remover a sujidade.
4. Deixe que o filtro de ar seque ao ar livre. E depois instale-o na caixa apertando o parafuso.

**L1**



**L2**



### Intervalos de manutenção

Recomenda-se que lubrifique a caixa de engrenagens e limpe o filtro de ar a cada 50 horas de funcionamento de uso real.

### LIMPEZA

1. Desligue o aparador e retire a bateria.
2. Não utilize detergentes ou solventes agressivos. Limpe a máquina após a utilização com um pano húmido mergulhado em detergente neutro.
3. Mantenha a ficha livre de matérias estranhas e limpe-a com uma escova ou um pano macio e seco.
4. Não pulverize água sobre o motor e os componentes eléctricos.
5. Não utilize uma máquina de lavar sob pressão para limpar a sua máquina.

### ARMAZENAMENTO

1. Remova o módulo da bateria do aparador antes do armazenamento.
2. Recomenda-se que uma vez molhada durante o funcionamento com chuva, a máquina e a bateria devem ser secas antes de serem armazenadas ou carregadas. Remover a bateria e voltar a inseri-la se a máquina não ligar.

3. Armazene o aparador num local seco e seguro, inacessível a crianças e outras pessoas não autorizadas. Retire o acessório de corte se este não for utilizado durante muito tempo.
4. Guarde a bateria apenas a uma temperatura entre os 5 °C (41 °F) e os 25 °C (77 °F). Por exemplo, não deixe a bateria no carro no verão.

## RESOLUÇÃO DE PROBLEMAS

A tabela seguinte lista problemas e ações que pode executar caso o seu equipamento não esteja a funcionar correctamente.



**AVISO: Desligue o equipamento e remova a bateria antes de tentar resolver qualquer problema.**

### APARADOR


Problemas	Causas possíveis	Ação corretiva
LED indicador da bateria a piscar	Baixa voltagem da bateria.	Carregue a bateria.
LED vermelho de erro a piscar	Sobrecarga.	O acessório de corte está encravado. Desligue o produto. Remova a bateria. Limpe o acessório de corte, retirando materiais não desejados.
	Problema de temperatura.	Deixe o produto arrefecer.
	O gatilho do regulador e o interruptor de Ligar/Desligar são premidos ao mesmo tempo.	Solte o gatilho do regulador. Efetue a sequência de inicialização novamente.
	Outros problemas	Contacte um Agente do Serviço Assistência Técnica
O produto não se liga	Detritos nos conectores da bateria.	Limpe s conectores da bateria com ar comprimido ou uma escova macia.
	Outros problemas	Contacte um Agente do Serviço Assistência Técnica.
O aparador funciona intermitentemente.	A bateria não está completamente introduzida na máquina.	Introduza a bateria completamente.
	Problema elétrico provável.	Contacte um Agente do Serviço Assistência Técnica.
Vibrações/ruídos excessivos.	Problema de equilíbrio do fio.	Rebobine o fio.
	Problema com o acessório de corte. Máquina avariada.	Substitua o acessório de corte. Contacte um Agente do Serviço Assistência Técnica.

### BATERIA

Problemas	Causas possíveis	Ação corretiva
LED de erro aceso.	A bateria está descarregada.	Carregue a bateria. Se a bateria não carregar, contacte o Agente do Serviço Assistência Técnica.
	Problema de temperatura.	Utilize a bateria em ambientes com temperaturas entre os -5 °C e os 45 °C (23 °F a 113 °F) para carregar; -20 °C a 45 °C (-4 °F a 113 °F) para descarregar.
	Outros	Contacte o seu Agente do Serviço Assistência Técnica.

# DADOS TÉCNICOS

Tipo **KC100 KC100.X** (1-designação de aparelho mecânico, representante do corta-relva sem fios)

	<b>KC100 KC100.X **</b>
Tensão	60 V  MAX ***
Velocidade de corte	4200 / 5100 / 5900 rpm
Diâmetro de corte	42 cm (16.5")
Espessura do fio	2.4 / 2.7 mm (0.095" / 0.105") linha de náilon
Grau de proteção	IPX4
Peso (Ferramenta nua)	4.5 kg (9.9 lbs)

\*\* X = 1-999, A-Z, M1-M9, são utilizados apenas para clientes diferentes, não há alterações relevantes seguras entre esses modelos.

\*\*\* Tensão medida sem carga. A tensão inicial da bateria atinge o máximo de 60 volts. A tensão nominal é de 54 volts.

## BATERIAS E CARREGADORES SUGERIDOS

Baterias	Capacidade	Carregador	Amperage
KAC804	4.0 Ah	KAC840	30 A
KAC810 (Com o arnês de mochila)	11.0 Ah		

PT

Recomendamos que compre os seus acessórios no mesmo revendedor que lhe vendeu a ferramenta. Consulte a embalagem do acessório para obter mais detalhes. O seu revendedor pode ajudá-lo e oferecer conselhos.

## ESPECIFICAÇÕES TÉCNICAS PARA O MÓDULO DE BATERIA (OPCIONAL)

Bandas de frequência para Bluetooth	2400-2483.5 MHz
Potência máxima transmitida para Bluetooth	8 dBm

## COMBINAÇÕES DE ACESSÓRIOS DE CORTE, DEFLETORES E SISTEMAS DE TRANSPORTE

Acessório de corte	Proteção contra a projeção de detritos	Barra de vedação	Sistema de transporte
- Cabeça de aparador de 4" (Opcional, não incluída) - Cabeça de aparador de 5"	- High-visibility deflector - Universal deflector with skirt	- Optional	- Alça para o ombro - Arnês da mochila de bateria
- Lâmina da faca	- Defletor universal sem saia	- Obrigatório	

# INFORMAÇÃO DE RUÍDO

Pressão de som avaliada	$L_{pA} = 79.7 \text{ dB(A)}$
$K_{pA}$	3 dB(A)
Potência de som avaliada	$L_{wA} = 94.94 \text{ dB(A)}$
$K_{wA}$	0.59 dB(A)

Use protecção de ouvidos



# INFORMAÇÃO DE VIBRAÇÃO

Vibração característica ponderada	$a_{11} = 2,45 \text{ m/s}^2$
Instabilidade	$K = 3 \text{ m/s}^2$

**AVISO** Os valores de emissão de vibração durante a utilização da ferramenta podem divergir dos valores declarados, dependendo da forma como a ferramenta é utilizada, dependendo dos exemplos seguintes e de outros modos de utilização: O modo como a ferramenta é utilizada, os materiais a cortar ou perfurar.

A ferramenta estar em boas condições e bem conservada.

A utilização do acessório correcto para a ferramenta a garantia de que está afiada e em boas condições.

A firmeza com que se segura nas pegas e se quaisquer acessórios vibratórios são utilizados.

Se a ferramenta é utilizada para o objectivo para a qual foi concebida e segundo as instruções.

**Esta ferramenta pode causar síndrome de vibração mão-braço, se não for adequadamente utilizada.**

**AVISO:** Para ser preciso, uma estimativa do nível de exposição nas condições actuais de utilização devem ter em conta todas as partes do ciclo de operação, como tempos em que a ferramenta está desligada e quando está em funcionamento, mas inactiva, ou seja, não realizando o seu trabalho. Isto poderá reduzir significativamente o nível de exposição durante o período total de trabalho.

Como minimizar o seu risco de.

Utilize SEMPRE formões, brocas e lâminas afiadas.

Mantenha esta ferramenta de acordo com as instruções e bem lubrificada (quando aplicável).

Se a ferramenta for utilizada regularmente, invista em acessórios anti-vibração.

Planeie o seu horário de trabalho de forma a distribuir a utilização de ferramentas de alta vibração ao longo de vários dias.

# PROTECÇÃO AMBIENTAL

Os equipamentos eléctricos não devem ser depositados com o lixo doméstico. Se existirem instalações adequadas deve reciclá-los. Consulte a sua autoridade local para tratamento

de lixos ou fornecedor para obter aconselhamento sobre reciclagem.

# DECLARAÇÃO DE CONFORMIDADE

NÓS,  
Positec Germany GmbH  
Postfach 32 02 16, 50796 Cologne, Germany

On behalf of Positec declare that the product Em nome da Positec, declara que o produto  
Descrição **Corta-relva sem fios**  
Tipo **KC100 KC100.X (1-designação de aparelho mecânico, representante do corta-relva sem fios)**  
Função **cortar relva e vegetação macia similar e para aparar cantos de relva**

Cumpra as seguintes Directivas,  
**2006/42/EC**  
**2014/30/EU**  
**2011/65/EU&(EU)2015/863**  
**2000/14/EC rectificada em 2005/88/EC**

2000/14/EC rectificada em 2005/88/EC:  
- Processo de Avaliação de Conformidade segundo **Annex VI**

- Nível de Volume de Som Medido **94,94 dB (A)**  
- Nível de Volume de Som Garantido **96 dB (A)**

Organismo notificado envolvido  
Nome: **Intertek Deutschland GmbH (Organismo notificado 0905)**  
Morada: **Stangenstraße 1, 70771 LEINFELDEN-ECHTERDINGEN**

Normas em conformidade com  
**EN 62841-1, FprEN IEC 62841-4-4:2020+FprAA:2021-02, EN 62233, EN ISO 3744, EN IEC 55014-1, EN IEC 55014-2**

Pessoa autorizada a compilar o ficheiro técnico,  
Nome **Marcel Filz**  
Endereço **Positec Germany GmbH**  
Postfach 32 02 16, 50796 Cologne, Germany



2022/12/5  
Allen Ding  
Engenheiro-chefe adjunto, Teste e Certificação  
Positec Technology (China) Co., Ltd  
18, Dongwang Road, Suzhou Industrial Park, Jiangsu 215123, P. R. China

PT

# INHOUDSOPGAVE

Inleiding.....	94
Onderdelenlijst.....	95
Productveiligheid.....	96
Montage en bediening.....	101
Vervoer.....	104
Onderhoud.....	104
Reiniging.....	105
Opslag.....	106
Problemenoplossen.....	106
Technischegegevens.....	107
<hr/> NL Bescherming van het milieu.....	108
Conformiteitverklaring.....	108

## INLEIDING

Beste klant,

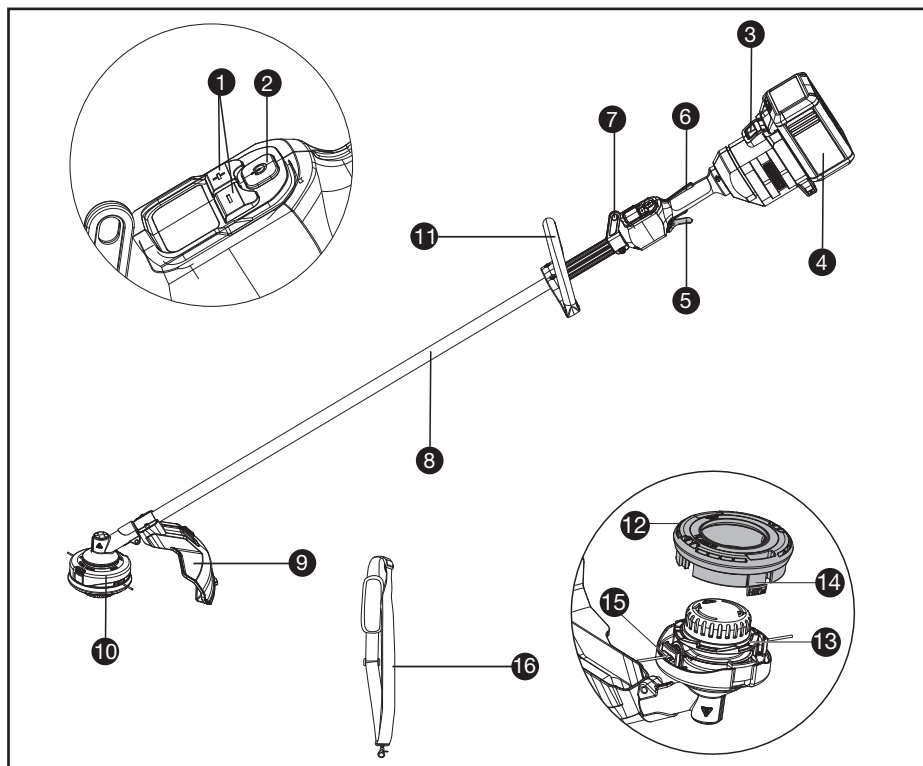
Dank u voor het kopen van dit Kress Commercial-product. Wij zijn toegewijd aan het ontwikkelen van producten van hoge kwaliteit om aan uw commerciële hoveniersvereisten te voldoen.

Het merk Kress staat synoniem voor service van topkwaliteit. Als u tijdens de levensduur van uw product vragen of twijfels hebt over uw product, neem dan contact op met uw distributeur of onze klantendienst voor hulp.

Wij zijn ervan overtuigd dat u nog jarenlang plezier zult beleven aan het werken met uw Kress-product.

## BEOOGD GEBRUIK

Deze machine is bedoeld voor het maaien van gras en hoog onkruid dat niet met een grasmaaier kan worden bereikt. Deze machine wordt ook gebruikt op terreinen met hellingen die niet geschikt zijn om te maaien.



NL

## DRIE SNELHEIDSINSTELLINGEN

- |     |                         |
|-----|-------------------------|
| 1.  | SNELHEIDSREGELING       |
| 2.  | AAN/UIT-SCHAKELAAR      |
| 3.  | ONTGRENDPAL ACCU        |
| 4.  | ACCUPACK *              |
| 5.  | GASHENDEL               |
| 6.  | AANWEZIGHEIDSSCHAKELAAR |
| 7.  | SCHOUDERRIEMBEVESTIGING |
| 8.  | SCHACHT                 |
| 9.  | BESCHERMKAP             |
| 10. | FIJNAFSTEMMINGSKOP      |
| 11. | VOORSTE HANDGREEP       |
| 12. | SPOELKAP                |
| 13. | SPOEL                   |
| 14. | KAPONTGRENDELING        |
| 15. | HANGOOG                 |
| 16. | SCHOUDER RIEM *         |

\* Sommige afgebeelde of beschreven toebehoren worden niet meegeleverd.

# OORSPRONKELIJKE GEBRUIKSAANWIJZING

## VEILIGHEIDSWAARSCHUWINGEN

### ALGEMENE

## VEILIGHEIDSWAARSCHUWINGEN

### VOOR VERMOGENSMACHINE



**WAARSCHUWING:** Lees alle veiligheidswaarschuwingen,

instructies, illustraties en specificaties die bij dit elektrisch gereedschap werden meegeleverd.

Het niet opvolgen van alle onderstaande voorschriften kan tot een elektrische schok, brand en/of ernstig persoonlijk letsel leiden.

**Bewaar alle waarschuwingen en instructies voor latere naslag.**

De term “(elektrisch) gereedschap” in de waarschuwingen hieronder, verwijst naar uw op netspanning werkende gereedschap (met stroomdraad) of uw accugereedschap (draadloos).

#### 1) WERKGEBIED

a) Houd uw werkgebied schoon en zorg ervoor dat deze goed verlicht is. In rommelige en slecht verlichte werkgebieden gebeuren sneller ongelukken.

b) Gebruik elektrisch gereedschap niet in explosieve atmosferen, zoals in de nabijheid van ontvlambare vloeistoffen, gassen of stof. Elektrisch gereedschap veroorzaakt vonken die de stof of de gassen kunnen doen ontvlammen.

c) Houd kinderen en omstanders uit de buurt terwijl u met elektrisch gereedschap werkt. Aflleidingen kunnen ervoor zorgen dat u de controle over het gereedschap verliest.

#### 2) ELEKTRISCHE VEILIGHEID

a) De stekker van het elektrisch gereedschap moet passen in het stopcontact. Pas de stekker op geen enkele manier aan om te zorgen dat hij wel past. Gebruik geen adapterstekkers terwijl u geaard elektrisch gereedschap gebruikt. Onaangepaste stekkers die in het stopcontact passen, verminderen de kans op een elektrische schok.

b) Vermijd lichamelijk contact met geaarde of gegronde oppervlakken, zoals buizen, radiatoren, fornuizen en koelkasten. Als uw lichaam geaard of geground is, is er een grotere kans op een elektrische schok.

c) Gebruik de machine niet in regen of natte omstandigheden. Dit kan het risico op een elektrische schok vergroten. Als de machine en de accu tijdens het gebruik nat zijn geworden in de regen, moeten ze worden gedroogd voordat ze worden opgeborgen of opgeladen. Verwijder de accu en plaats deze opnieuw als de machine niet inschakelt. Houd de accuaansluiting vrij van vuil en stof en reinig

deze met een zachte, droge borstel of doek.

- d) Gebruik de stroomdraad niet op een andere manier dan waarvoor deze gemaakt is. Trek niet aan de stroomdraad, ook niet om de stekker uit het stopcontact te krijgen en draag het gereedschap niet door het aan de stroomdraad vast te houden. Houd de stroomdraad uit de buurt van hitte, olie, scherpe hoeken en bewegende onderdelen. Beschadigde of verwarde stroomdraden vergroten de kans op een elektrische schok.
- e) Wanneer u het elektrische gereedschap buitenshuis gebruikt, dient u te zorgen voor een verlengsnoer dat geschikt is voor gebruik buitenshuis. Het gebruik van een verlengsnoer dat geschikt is voor gebruik buitenshuis, vermindert de kans op een elektrische schok.
- f) Moet een krachtmachine in een vochtige locatie worden gebruikt, gebruik dan een aardlekschakelaar (ALS). Een ALS vermindert het gevaar op elektrische schokken.

#### 3) PERSOONLIJKE VEILIGHEID

- a) Blijf alert, kijk waar u mee bezig bent en gebruik uw gezonde verstand wanneer u met elektrisch gereedschap werkt. Gebruik geen elektrisch gereedschap wanneer u moe bent of onder de invloed van drugs, alcohol of medicijnen. Een moment van onoplettendheid bij het gebruik van elektrisch gereedschap kan leiden tot ernstig persoonlijk letsel.
- b) Gebruik uw veiligheidsuitrusting. Draag altijd oogbescherming. Een veiligheidsuitrusting, zoals een stofmasker, schoenen met antislipzolen, een veiligheidshelm, of oorbescherming die onder de juiste omstandigheden gebruikt wordt, vermindert de kans op persoonlijk letsel.
- c) Pas op dat het apparaat niet onbedoeld wordt gestart. Zorg ervoor dat de schakelaar uit staat voordat u de voeding en/of batterij aansluit, en als u de machine oppakt en draagt. Gereedschap dragen terwijl u uw vinger op de schakelaar houdt, of de stekker in het stopcontact steken terwijl het gereedschap ingeschakeld staat, is vragen om ongelukken.
- d) Verwijder inbusleutels of moersleutels voordat u het gereedschap inschakelt. Een sleutel die nog in of op een draaiend onderdeel van het elektrische gereedschap zit, kan leiden tot ernstig persoonlijk letsel.
- e) Werk niet boven uw macht. Zorg er altijd voor dat u stevig staat en goed in balans bent. Hierdoor heft u betere controle over het gereedschap in onverwachte situaties.
- f) Draag geschikte kleding. Draag geen loszittende kleding of sieraden. Houd uw haar en kleding uit de buurt van bewegende onderdelen. Loszittende kleding, sieraden of lang haar kan vast komen te zitten in bewegende onderdelen.
- g) Wanneer er apparaten worden bijgeleverd voor stofafzuiging en -opvang, zorg er dan



voor dat deze aangesloten zijn en op de juiste manier gebruikt worden. Het gebruik van deze apparaten vermindert de gevaren die door stof kunnen ontstaan.

- h) **Als u gereedschap veelvuldig gebruikt, dan kan dit leiden tot het negeren van de veiligheidsprincipes, probeer dit te vermijden.** Een achteloze actie kan binnen een fractie van een seconde leiden tot ernstig letsel.

#### 4) GEBRUIK EN ONDERHOUD VAN ELEKTRISCH GEREEDSCHAP

- a) **Forceer het gereedschap niet. Gebruik gereedschap dat voor de toepassing geschikt is.** Het gebruik van geschikt gereedschap levert beter werk af en werkt veiliger als het gebruikt wordt op de snelheid waar het voor ontworpen is.
- b) **Gebruik het gereedschap niet wanneer de aan/uitschakelaar niet functioneert.** Gereedschap dat niet kan worden bediend met behulp van de schakelaar is gevaarlijk en dient te worden gerepareerd.
- c) **Neem de stekker uit het stopcontact en/of verwijder de batterij voordat u instellingen verandert, toebehoren vervangt of de machine opbergt.** Deze preventieve veiligheidsmaatregelen verminderen de kans op het ongewild inschakelen van het gereedschap.
- d) **Berg gereedschap dat niet gebruikt wordt buiten het bereik van kinderen op en laat personen die niet bekend zijn met het gereedschap of met deze veiligheidsinstructies het gereedschap niet bedienen.** Elektrisch gereedschap kan in de handen van ongetrainde gebruikers gevaarlijk zijn.
- e) **Onderhoud elektrisch gereedschap op de juiste wijze. Controleer of bewegende onderdelen nog goed uitgelijnd staan, of ze niet ergens vastzitten en controleer op elke andere omstandigheid die ervoor kan zorgen dat het gereedschap niet goed functioneert. Wanneer het gereedschap beschadigd is, dient u het te repareren voordat u het in gebruik neemt.** Veel ongelukken worden veroorzaakt door slecht onderhouden elektrisch gereedschap.
- f) **Houd snijdend gereedschap schoon en scherp.** Goed onderhouden snijdend gereedschap met scherpe zaagbladen/messen zal minder snel vastlopen en is makkelijker te bedienen.
- g) **Gebruik het gereedschap, de accessoires, de bitjes, enz. in overeenstemming met deze instructies en op de manier zoals bedoeld voor het specifieke type elektrisch gereedschap, rekening houdend met de werkomstandigheden en het uit te voeren werk.** Het gereedschap gebruiken voor andere doeleinden dan waar deze voor ontworpen is, kan gevaarlijke situaties opleveren.
- g) **Houd de handgrepen en grijppoppervlakten droog, schoon en vrij van olie en**

smeermiddel. Glibberige handgrepen en grijppoppervlakken laten geen veilige hantering toe, en zorgen ervoor dat u geen controle hebt over het gereedschap in onverwachte omstandigheden.

#### 5) GEBRUIK EN ONDERHOUD VAN ACCUGEREEDSCHAP

- a) **Laad het accupack alleen op met de door de fabrikant aangegeven oplader.** Een oplader die geschikt is voor het ene type accupack, kan brand veroorzaken wanneer die gebruikt wordt voor een ander type accupack.
- b) **Gebruik het gereedschap uitsluitend met het aangegeven accupack.** Door het gebruik van andere accupacks ontstaat de kans op letsel of brand.
- c) **Wanneer het accupack niet gebruikt wordt, dient u het uit de buurt te houden van metalen voorwerpen, zoals paperclips, munten, sleutels, spijkers, schroeven of andere kleine metalen voorwerpen die een verbinding kunnen maken tussen de contactpunten van de terminal.** Het kortsluiten van de accuterminals kan zorgen voor brandwonden of brand.
- d) **Onder extreme omstandigheden kan er vloeistof uit de accu lopen; raak deze vloeistof niet aan. Wanneer u toch onverhoopt met de vloeistof in aanraking komt, dient u zo snel mogelijk een arts te raadplegen.** Vloeistof die afkomstig is uit de accu kan irritatie of brandwonden veroorzaken.
- e) **Gebruik geen accu of gereedschap dat beschadigd of aangepast is.** Beschadigde of aangepaste accu's kunnen onvoorspelbaar reageren, wat kan leiden tot brand, explosie of het veroorzaken van letsel.
- f) **Stel een accu of gereedschap niet bloot aan vuur of extreme temperatuur.** Blootstelling aan brand of een temperatuur boven 130 °C kan explosie veroorzaken.
- g) **Volg alle instructies en laad de accu of het gereedschap niet op buiten het temperatuurbereik dat vermeld is in de handleiding.** Onjuist opladen of opladen bij temperaturen buiten het aangegeven bereik kan de accu beschadigen en het risico op brand vergroten.
- 6) **SERVICE**
- a) **Laat uw elektrisch gereedschap repareren door een bevoegde gereedschap die alleen originele reserveonderdelen gebruikt.** Zo bent u er zeker van dat uw gereedschap veilig blijft.
- b) **Repareer nooit beschadigde accu's.** Reparatie van accu's mag alleen worden uitgevoerd door de fabrikant of geautoriseerde onderhoudstechnici.

# VOOR BOSMAAIERS EN GRASTRIMMERS

- a) **Gebruik de machine niet tijdens slechte weersomstandigheden, in het bijzonder wanneer er kans op onweer is.** Dit verlaagt het risico om geraakt te worden door de bliksem.
- b) **Inspecteer grondig het gebied waar de grastrimmer zal worden gebruikt op de aanwezigheid van dieren.** Tijdens het gebruik kunnen dieren door de grastrimmer worden verwond.
- c) **Inspecteer grondig het gebied waar de grastrimmer gebruikt gaat worden en verwijder alle stenen, stokken, draden, botten en andere vreemde voorwerpen.** Weggeslingerde voorwerpen kunnen persoonlijk letsel veroorzaken.
- d) **Inspecteer altijd, alvorens het apparaat te gebruiken, om te zien of het snijmes of blad en de snijmes- of blad-eenheid niet beschadigd zijn.** Beschadigde onderdelen verhogen het risico op letsel.
- e) **Volg de instructies voor het vervangen van de accessoires.** Onjuist vastgedraaide bouten of schroeven die het blad vasthouden kunnen het mes beschadigen of er toe leiden dat het losschiet.
- f) **De nominale rotatiesnelheid van het blad dient tenminste gelijk te zijn aan de maximale rotatiesnelheid zoals aangegeven op het apparaat.** Messen die sneller draaien dan hun nominale toerental kunnen afbreken of uit elkaar vliegen.
- g) **Draag oog-, oor-, hoofd- en handbescherming.** Adequate beschermende kleding vermindert lichamelijk letsel door rondvliegende brokstukken of onbedoeld contact met de snijdraad of het blad.
- h) **Draag altijd veiligheidsschoenen tijdens het gebruik van het apparaat. Bedien het apparaat niet op blote voeten of met open sandalen aan.** Dit vermindert de kans op letsel aan de voeten door contact met een bewegend mes, draad of blad.
- i) **Draag tijdens het gebruik van het apparaat altijd een lange broek.** Blootgestelde huid vergroot de kans op letsel door weggeslingerde voorwerpen.
- j) **Houd omstanders uit de buurt tijdens het gebruik van het apparaat.** Weggeslingerde brokstukken kunnen leiden tot ernstig persoonlijk letsel.
- k) **Gebruik altijd twee handen bij het bedienen van het apparaat.** Het met beide handen vasthouden van het apparaat voorkomt verlies van controle erover.
- l) **Houd het apparaat alleen vast aan de geïsoleerde grijpvlakken, omdat de snijdraad of het blad in contact kunnen komen met verborgen bedrading.** Een snijdraad of blad die in contact komen met een "stroomvoerende" draad kunnen blootliggende metalen delen van het apparaat "onder spanning brengen" en kunnen de gebruiker een elektrische schok geven.
- m) **Zorg altijd dat u stevig staat en gebruik het apparaat alleen als u op de grond staat.** Door glibberige of onstabiele oppervlakken kunt u uit balans raken of de controle over het apparaat verliezen.
- n) **Gebruik het apparaat niet op extreem steile hellingen.** Dit vermindert het risico van verlies van controle, uitglijden en vallen, wat kan leiden tot persoonlijk letsel.
- o) **Zorg er bij het werken op hellingen altijd voor dat u stevig staat, werk altijd langs hellingen, nooit omhoog of omlaag en wees uiterst voorzichtig bij het veranderen van richting.** Dit vermindert het risico van verlies van controle, uitglijden en vallen, wat kan leiden tot persoonlijk letsel.
- p) **Houd lichaamsdelen uit de buurt van de messen, draad of blad als het apparaat in gebruik is. Zorg er, voordat u het apparaat aanzet, voor dat de messen, draad en blad nergens mee in contact komen.** Een moment van onoplettendheid tijdens het gebruik van het apparaat kan leiden tot verwondingen bij uzelf of bij anderen.
- q) **Gebruik het apparaat niet hoger dan uw middel.** Dit helpt onverwacht contact met messen of blad te voorkomen en zorgt voor een betere controle over het apparaat in onverwachte situaties.
- r) **Wees alert op het plotseling terugveren bij het trimmen van struiken of jonge scheuten die onder spanning staan.** Als de spanning op de houtvezels wegvalt kan de tak of scheut de gebruiker raken of het apparaat onhandelbaar maken.
- s) **Let heel goed op bij het trimmen van struiken en jonge scheuten.** Het veerkrachtige materiaal kan gegrepen worden door het blad en naar u toegeslingerd worden of u uit balans brengen.
- t) **Houd controle over het apparaat en raak de messen, draden of bladen en andere gevaarlijke bewegende delen niet aan terwijl ze nog in beweging zijn.** Dit verkleint de kans op letsel door bewegende delen.
- u) **Draag het apparaat als het is uitgeschakeld, en weg van uw lichaam.** Het op een juiste manier omgaan met het apparaat verkleint de kans op onverwacht contact met een bewegend mes, draad of blad.
- v) **Monteer altijd de mesafdekking wanneer u het apparaat vervoert of opbergt.** Het op een juiste manier omgaan met het apparaat verkleint de kans op onverwacht contact met het blad.
- w) **Gebruik alleen door de fabrikant opgegeven vervangende messen, draden, snijkoppen en bladen.** Onjuiste vervangende onderdelen kunnen het risico op schade of verwondingen vergroten.
- x) **Zorg ervoor dat het apparaat uitstaat en het accupakket verwijderd is voordat u vastzittend materiaal verwijderd of onderhoud pleegt aan het apparaat.** Het

onverwacht inschakelen van het apparaat tijdens het verwijderen van vastzittend materiaal of onderhoud kan ernstig persoonlijk letsel veroorzaken.

## OORZAKEN DOOR TERUGSLAG EN BIJBEHORENDE WAARSCHUWINGEN

Terugslag is een plotselinge zijwaartse, voorwaartse of achterwaartse beweging van de machine, die kan ontstaan wanneer het mes vastloopt of blijft haken aan een voorwerp zoals een jonge boom of een boomstronk. Deze beweging kan zo krachtig zijn dat de machine en/of gebruiker in alle richtingen wordt geslingerd en mogelijk de controle over de machine verliest. Terugslag en de bijbehorende gevaren kunnen worden voorkomen door de hieronder beschreven voorzorgsmaatregelen te treffen.

- a) Houd de machine met beide handen stevig vast en houd uw armen in een zodanige positie dat deze de terugslag kunnen weerstaan. Plaats uw lichaam aan de linkerkant van de machine. Terugslag kan de kans op letsel vergroten doordat de machine een onverwachte beweging maakt. *Als u de juiste voorzorgsmaatregelen neemt, kunt u de terugslag onder controle houden.*
- b) Als het mes blokkeert, of als u het maaien om welke reden dan ook onderbreekt, schakel dan de machine uit en houd de machine bewegingsloos in het materiaal totdat het mes volledig tot stilstand is gekomen. Als het mes vastzit, mag u nooit proberen de machine uit het materiaal te halen of de machine achteruit te trekken zolang het mes in beweging is, omdat er anders een terugslag kan ontstaan. *Onderzoek en onderneem de nodige maatregelen om de oorzaak van het vastlopen van het mes te elimineren.*
- c) **Gebruik geen botte of beschadigde messen.** *Botte of beschadigde messen vergroten het risico dat deze vastlopen of aan een voorwerp blijven haken, wat kan leiden tot terugslag.*
- d) **Houd altijd goed zicht op het te maaien materiaal.** *De kans op terugslag is groter op plaatsen waar u het te maaien materiaal niet goed kunt zien.*
- e) **Als u wordt benaderd door een andere persoon terwijl u de machine gebruikt, schakel de machine dan uit.** *Er bestaat een verhoogd risico dat andere personen in geval van terugslag door het bewegende mes worden geraakt.*

## BATTERIJVEILIGHEID VEILIGHEIDSINSTRUCTIES

## VOOR HET ACCUPACK

- a) **Batterijcellen en accupacks mogen niet gedemonteerd, geopend of vernietigd worden.**
- b) **Sluit accupacks niet kort. Bewaar accupacks niet willekeurig in een doos of lade waar ze elkaar kunnen kortsluiten of door geleidende voorwerpen kortgesloten kunnen worden.** Houd het accupack op een afstand van andere metalen voorwerpen als paperclips, muntstukken, sleutels, nagels, schroeven en andere kleine metalen voorwerpen die de contacten van de accupack kunnen verbinden. Kortgesloten contacten van accupacks kunnen brandwonden of brand veroorzaken.
- c) **Stel accupacks niet bloot aan warmte of vuur. Vermijd opslag in direct zonlicht.**
- d) **Stel accupacks niet bloot aan mechanische schokken.**
- e) **Als een accu lekt dient men voorzichtig te zijn dat de vloeistof niet in contact komt met de huid of de ogen. Als dat toch gebeurt spoelt men de huid onder stromend water en raadpleegt men een arts.**
- f) **Houd batterijcellen en accupacks schoon en droog.**
- g) **Veeg de aansluitingen van het accupack schoon met een droge doek als ze vuil zijn geworden.**
- h) **Accupacks moeten voor gebruik worden opgeladen. Lees de gebruiksaanwijzing voor de juiste laadinstructies.**
- i) **Laat accupacks niet langdurig opladen als ze niet worden gebruikt.**
- j) **Na een lange opslagperiode kan het nodig zijn het accupack enkele keren op te laden en te ontladen voor een optimale prestatie.**
- k) **Laad alleen op met een lader met de technische gegevens van Kress. Gebruik geen andere lader dan de lader die specifiek voor dat doel met de apparatuur is meegeleverd.**
- l) **Gebruikt geen accupack dat niet bedoeld is voor gebruik met deze apparatuur.**
- m) **Houd accupacks buiten het bereik van kinderen.**
- n) **Bewaar de oorspronkelijke instructies van het product voor latere gebruik.**
- o) **Verwijder het batterijpakket uit de apparatuur als het niet in gebruik is.**
- p) **Volg de juiste procedure voor afvalverwijdering na afdanken van dit apparaat.**
- q) **Gebruik geen cellen van verschillende fabrikanten, capaciteit, afmetingen of typen binnen een apparaat.**
- r) **Houd de accu uit de buurt van microgolven en hoge druk.**

## GEBRUIKERSHANDLEIDING VOOR VEREISTEN VAN SNOERLOZE PRODUCTEN

- a) Het gebruik van dit apparaat is onderhevig aan

de volgende twee voorwaarden:

(1) Dit apparaat mag geen schadelijke storing veroorzaken, en

(2) dit apparaat moet alle ontvangen storing aanvaarden, met inbegrip van storing die ongewenste werking kan veroorzaken.










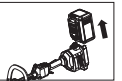

b) Let op: Wijzigingen of aanpassingen aan dit apparaat die niet uitdrukkelijk zijn goedgekeurd door de instantie, die verantwoordelijk is voor de naleving, kunnen het recht van de gebruiker om het apparaat te bedienen tenietdoen.

c) **OPMERKING:** Dit apparaat genereert, gebruikt en kan radiofrequentie-energie uitstralen en kan, indien niet volgens de instructies geïnstalleerd en gebruikt, schadelijke storing aan radiocommunicatie veroorzaken. Er is echter geen garantie, dat er in een bepaalde installatie geen storing zal optreden. Als dit apparaat schadelijke storing veroorzaakt aan de ontvangst van radio of televisie, hetgeen kan worden vastgesteld door het apparaat aan en uit te zetten, wordt de gebruiker aangeraden, te proberen deze storing te verhelpen door één of meerdere van de volgende maatregelen te nemen:

- Heroriënteer of verplaats de ontvangstantenne.
- Vergroot de afstand tussen de apparatuur en de ontvanger.

- Sluit de apparatuur aan op een stopcontact van een ander circuit dan dat waarop de ontvanger is aangesloten.

- Raadpleeg de leverancier of een ervaren radio/tv-technicus voor hulp.

	WAARSCHUWING – Pas op voor messtuwkracht.
	Gebruik geen metalen messen.
	WAARSCHUWING – Koppel de accu los vóór onderhoud.
	Draag handbescherming
	Afgedankte elektrische producten kunt u niet met het normale huisafval weggoien. Breng deze producten, indien mogelijk, naar een recyclecentrum bij u in de buurt. Vraag de verkoper of de gemeente naar informatie en advies over het recyclen van elektrische producten.
 Li-Ion 	Lithium-ionbatterij, die is gelabeld met de symbolen die horen bij "gescheiden inzameling" van alle batterijpakketten en batterijpakketten. Het wordt vervolgens gerecycled of verwijderd om de milieu-impact te verminderen. Batterijpakketten kunnen schadelijk zijn voor het milieu en de volksgezondheid omdat ze schadelijke stoffen bevatten.
	Steek niet brand
	Als de batterij niet correct wordt gebruikt, kan deze de waterkringloop binnendringen en schade aan het ecosysteem veroorzaken. Gooi gebruikte batterijen niet weg als ongesorteerd gemeentelijk afval
	Zorg ervoor dat de batterij voorafgaand aan het verwisselen van de accessoires wordt verwijderd.
	Trimmen

## SYMBOLLEN

	Lees de gebruikershandleiding om het risico op letsels te beperken
	Draag oog-, oor- en hoofdbescherming
	Draag anti-slipschoenen
	WAARSCHUWING – De afstand tussen het apparaat en omstanders dient tenminste 15 meter te bedragen
	WAARSCHUWING – Pas op voor weggeslingerde voorwerpen

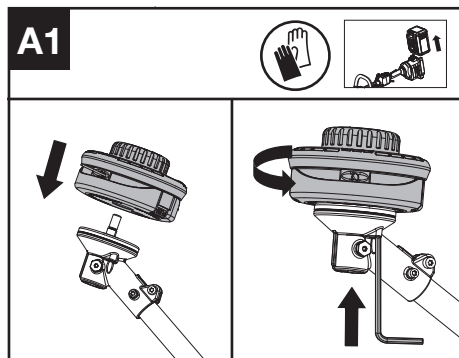
# ASSEMBLAGE EN BEDIENING

 **OPMERKING:** lees het instructieboekje aandachtig voor gebruik van het gereedschap.

 **VOOR GEBRUIK:**

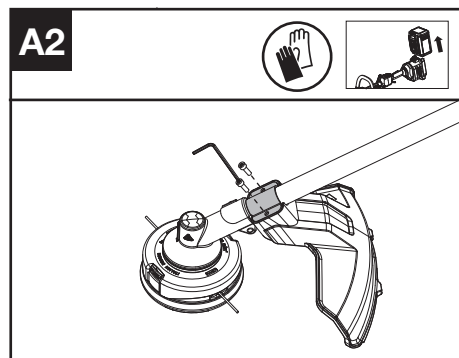
**Monteer de snijkop. ( Zie afb. A1)**

Monteer de snijkop. Steek de inbussleutel in het gat en draai de trimmerkop totdat deze in een vergrendelde positie stopt.



**Montage van de beschermkap (Zie afb. A2)**

1. Installeer de juiste beschermkap voor de trimmerkop.
2. Zet de spatlap vast met de schroef en torxsleutel.

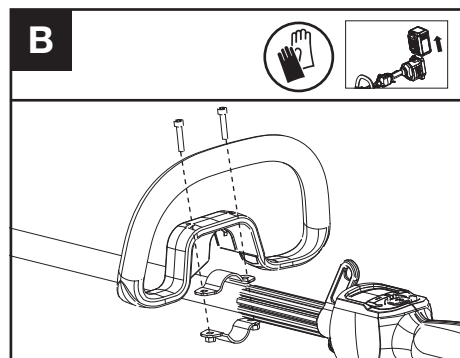


**Montage van de voorste handgreep (Zie Afb. B)**

1. Bevestig de voorste handgreep en de onderste klem op de as.
2. Steek de bout door de gaten.
3. Draai de voorste handgreep vast.

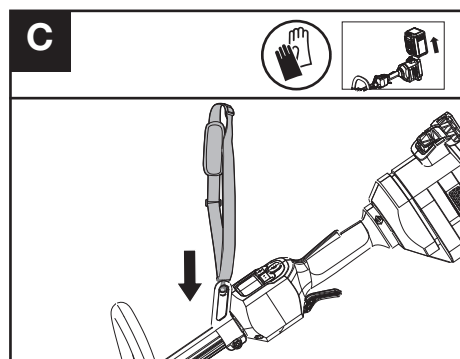
 **WAARSCHUWING:** Pas de voorste handgreep naar wens aan om ervoor te zorgen dat uw voorste arm recht is wanneer u de

trimmer gebruikt.



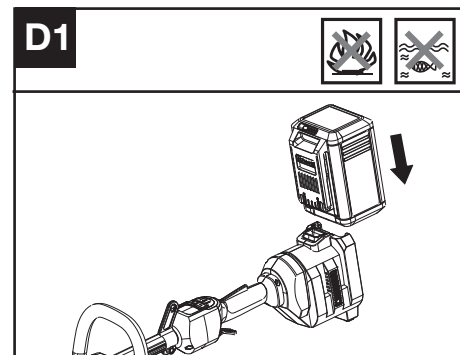
**De schouderriem monteren (Apart verkrijgbaar) (Zie afb. C)**

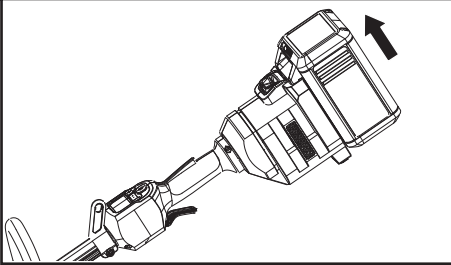
1. Pas de lengte van de schouderband aan.
2. Bevestig de karabijnhaak van de schouderriem aan het bevestigingspunt op de as van de trimmer.



**Het accupack verwijderen of plaatsen (Zie Afb. D1, D2)**

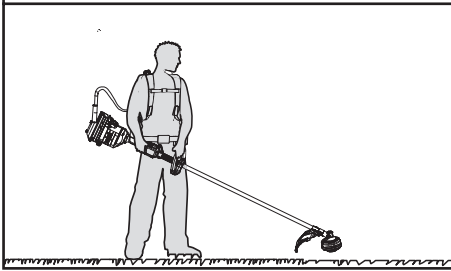
1. Schuif het batterijpak in het batterijvak.
2. Druk de grendel van de batterij in en verwijder de batterij uit de machine.



**D2**

### Koppeling met het rugzakharnas (Zie Afb. D3)

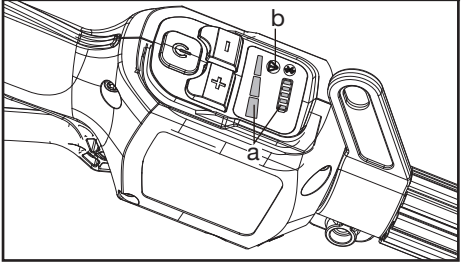
De trimmer kan worden aangesloten met een optioneel rugzakharnas (niet meegeleverd). Raadpleeg de handleiding van het rugzakharnas voor meer informatie.

**D3**

### DE TRIMMER EN DE BATTERIJ TESTEN (ZIE AFB. E)

#### Controle van de bedieningselementen Aanwezigheidsschakelaar en gashendel

1. Verwijder de batterij.
2. Probeer de gashendel in te drukken. Als het mogelijk is de gashendel in te drukken zonder de aanwezigheidsschakelaar in te drukken, is de aanwezigheidsschakelaar defect. Staak het gebruik van de trimmer en neem contact op met de servicevertegenwoordiger.
4. Houd eerst de aanwezigheidsschakelaar ingedrukt en druk op de gashendel.
5. Laat de gashendel en de aanwezigheidsschakelaar los. Als de gashendel of de aanwezigheidsschakelaar vast blijft zitten en niet terug kan veren naar de oorspronkelijke positie. Staak het gebruik van de trimmer en neem contact op met de servicevertegenwoordiger.

**E**

### Het display controleren

1. Plaats de batterij.
2. Houd de Aan/Uit-schakelaar ingedrukt. Het apparaat is ingeschakeld wanneer de LED (a) brandt. Het apparaat is uitgeschakeld wanneer de LED (a) niet brandt.
3. Druk eerst op de aanwezigheidsschakelaar en vervolgens op de gashendel om de machine te starten. De trimmerkop draait.
4. Als het waarschuwinglampje (b) oplicht of knippert, raadpleeg dan het hoofdstuk Problemen oplossen voor oplossingen.
5. Laat de gashendel los. De trimmerkop stopt na een korte vertraging met draaien. Als de trimmerkop blijft draaien, verwijdert u de batterij en neemt u contact op met de servicevertegenwoordiger.

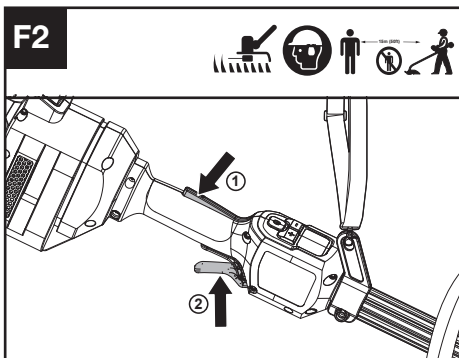
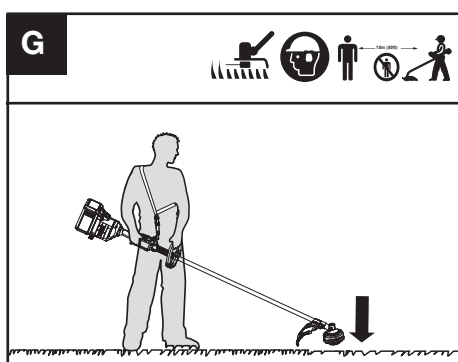
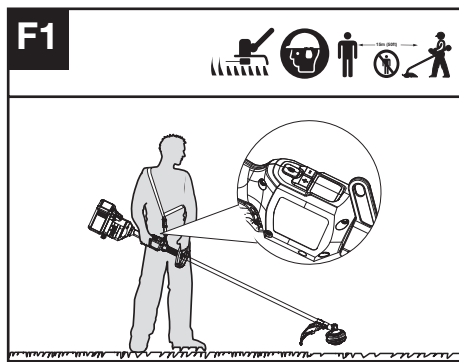
### BEDIENING:

#### Starten van de trimmer (Zie afb. F1, F2)

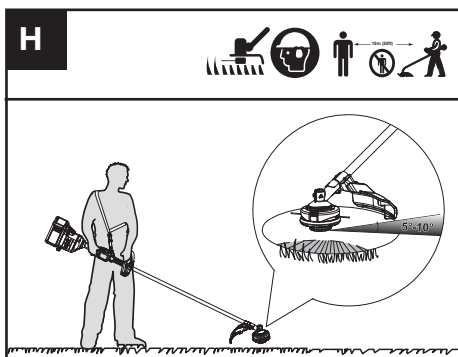
1. Houd de trimmer met uw rechterhand stevig vast aan de bedieningshandgreep – leg uw duim om de handgreep. Houd de trimmer met uw linkerhand vast aan de hulphandgreep – leg uw duim om de handgreep.
2. Houd de Aan/Uit-schakelaar ingedrukt totdat de groene LED brandt. De groene LED geeft het vermogensniveau aan.
3. Druk eerst op de aanwezigheidsschakelaar en vervolgens op de gashendel om de machine te starten. De groene LED voor start/stop gaat na 5 seconden uit als het niet als veiligheidsprocedure wordt gebruikt. Wanneer er niet wordt gemaaid, blijft het apparaat ingeschakeld als de aanwezigheidsschakelaar voor de operator ingedrukt wordt gehouden zonder de machine te bedienen. Als de groene LED uitgaat, moet het product opnieuw worden gestart.

**OPMERKING:** De aanwezigheidsschakelaar is ontworpen om onbedoelde bediening te voorkomen. Zodra u de aanwezigheidsschakelaar indrukt, ontgrendelt deze de gashendel.

NL



### Tips voor het maaien (Zie Afb. H)



### Selecteren van de snelheid

Afhankelijk van de toepassing kunnen 3 vermogensniveaus worden ingesteld. Gebruik de +/- om de snelheid te regelen. De LEDs geven het geselecteerde snelheidsniveau aan. Des te hoger het vermogensniveau, des te sneller de maai kop kan draaien.

### De trimmer stopzetten

Laat de gashendel los om de machine te stoppen.

**!** **WAARSCHUWING!** De snijkop blijft draaien nadat de maaier is uitgeschakeld. Wacht tot de kop is gestopt voordat u het gereedschap neerlegt.

### Bump line voersysteem (Zie Afb. G)

De trimmer is uitgerust met een bufferleidingsysteem. Wanneer u de kop van de trimmer aanraakt terwijl de machine draait, wordt de nieuwe regel uitgevoerd.

1. Zwaai de trimmer heen en weer over het te maaien gebied.
2. Gebruik de punt van het maaidraad om te trimmen; dwing de trimmerkop niet in ongemaaid gras.
3. Draad- en piketafsteringen kunnen extra slijtage en breuk van het maaidraad veroorzaken. Stenen en bakstenen muren, stoepanden en hout kunnen het maaidraad snel verslijten.
4. Vermijd bomen en struiken. Boomschors, houten lijstwerk, gevelbeplating en palen kunnen gemakkelijk worden beschadigd door het maaidraad.
5. Het geselecteerde vermogen heeft gevolgen voor de gebruiksduur van de batterij. Des te lager het vermogen, des te langer de gebruiksduur. Het wordt aanbevolen om het laagste vermogensniveau te gebruiken, tenzij er sprake is van zware maaioomstandigheden.

### VOOR GEREEDSCHAP MET ACCU'S

De aanbevolen omgevingstemperatuur voor het ontladen is -20°C~45°C (-4°F~113°F).

De aanbevolen omgevingstemperatuur voor het laadsysteem tijdens het opladen ligt tussen -5°C (23°F) en 45°C (113°F).

# TRANSPORT

## Vervoer van de trimmer

1. Zet de trimmer uit en verwijder de batterij.
2. Wanneer u uw trimmer met de hand vervoert, houd dan het midden van de as met de maaikop naar achteren vast en zorg ervoor dat uw machine parallel met de grond is.
3. Wanneer u uw trimmer in een voertuig vervoert, zet hem dan vast en plaats deze zodanig dat beweging of beschadiging wordt voorkomen.

## Vervoer van de batterij


1. Zorg ervoor dat de batterij zich in een veilige staat bevindt.
2. Gebruik een niet-geleidende verpakking wanneer u de batterij vervoert.
3. De meegeleverde Li-Ion batterijen zijn gebonden aan de wetgeving voor gevaarlijke goederen. Vervoer de batterijen alleen als de omhulling van de batterij onbeschadigd is. Verpak de batterijen zodanig dat ze niet kunnen verschuiven in de verpakking.

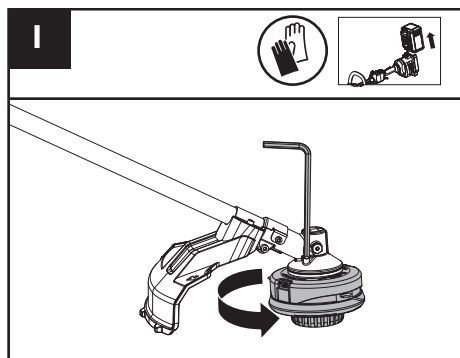
# ONDERHOUD

 **Verwijder steeds na gebruik het batterijpakket uit de trimmer.**

## Vervangen van de trimmerkop (Zie afb. I)

 **WAARSCHUWING!** Het gebruik van draad of met metaal versterkte draad is niet toegestaan en kan uiterst gevaarlijk zijn. Gebruik alleen de in deze handleiding aanbevolen maaidraad, in combinatie met de aanbevolen beschermkap.

 **WAARSCHUWING!** Een beschadigde of losse maaikop kan trillen, barsten, breken of van de trimmer losraken, waardoor ernstig of dodelijk letsel of materiële schade kan ontstaan. Zorg ervoor dat de trimmerkop goed en stevig vastzit en in goede staat is alvorens aan de slag te gaan.



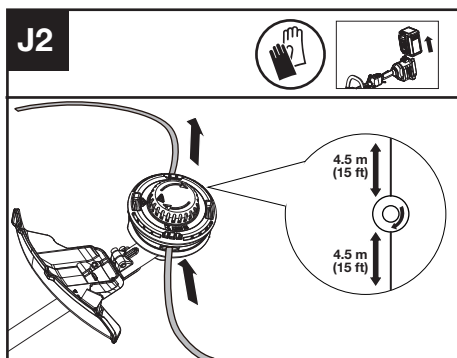
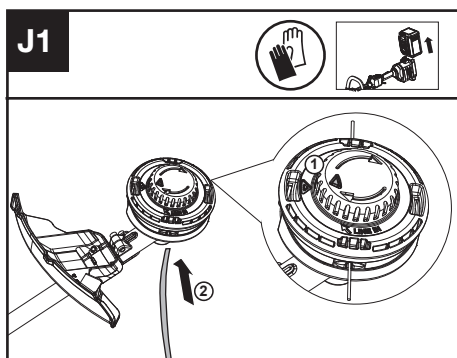
1. Steek de inbussleutel in het gat en draai de

trimmerkop totdat deze in een vergrendelde positie stopt.

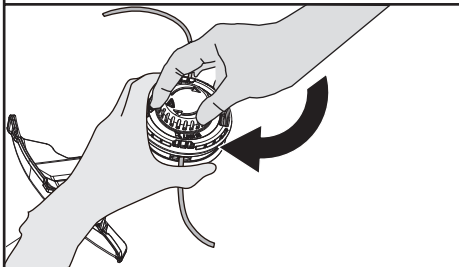
2. Draai vervolgens met de klok mee om deze te verwijderen en tegen de klok in om deze te monteren.

## Windende trimmer (Zie Afb. J1, J2, J3)

1. Draai de spoelkap zodat de twee driehoekpictogrammen op één lijn liggen. (Zie afb. J1)
2. Steek de vervangingsdraad door het oogje (draad in) en voer hem uit door het andere oogje. Zorg ervoor dat beide uiteinden van de draad even lang zijn aan beide uiteinden van de trimmerkop (aanbevolen 4.5 m (15 ft) en knip de draad door. (Zie afb. J2)
3. Draai de draaiknop met de klok mee om de draad rond de spoel te winden tot er aan beide kanten ongeveer 16 cm overblijft. (Zie afb. J3)

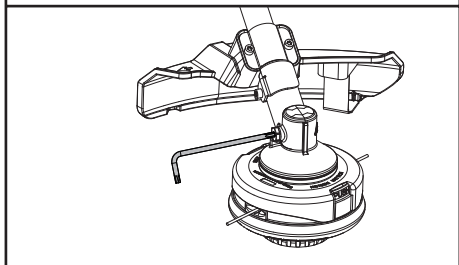
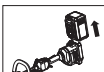
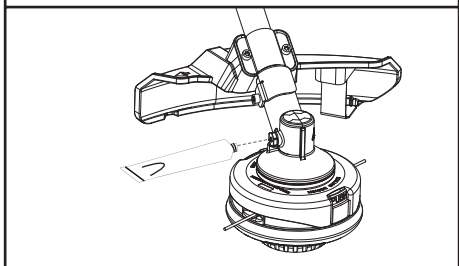




**J3**

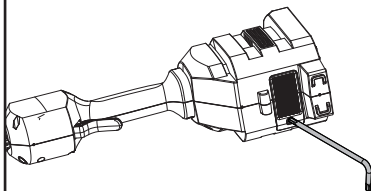
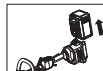
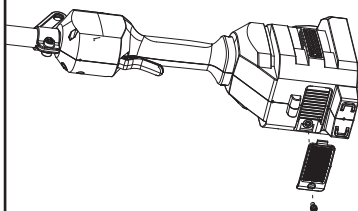
### Smeren van de tandwielkast (Zie afb. K1, K2)

1. Verwijder de schroef van de tandwielkast.
2. Als er geen kegelwielvet op het uiteinde van de schroef zit, knijp dan 5 g (SHELL Gadus S2 V220 1) van het versnellingsvet in de tandwielkast.
3. Plaats de schroef terug en draai deze stevig vast.
4. Plaats de batterij en laat de trimmer 1 minuut draaien om ervoor te zorgen dat het tandwiel gelijkmatig wordt gesmeerd.

**K1****K2**

### Reinigen van het luchtfilter (Zie afb. L1, L2)

1. Maak het gedeelte rond het luchtfilter schoon. Gebruik een vochtige doek of een zachte borstel.
2. Schroef het luchtfilter los en verwijder deze.
3. Spoel het luchtfilter onder stromend water af om het vuil te verwijderen.
4. Laat het luchtfilter aan de lucht drogen. En installeer deze vervolgens in de behuizing door de schroef vast te draaien.

**L1****L2**

### Periodieke onderhoudsbeurten

Het wordt aanbevolen om de tandwielkast te smeren en het luchtfilter om de 50 bedrijfsuren te reinigen afhankelijk van het werkelijke gebruik.

## REINIGING

1. Zet de trimmer uit en verwijder de batterij.
2. Gebruik geen agressieve schoonmaakmiddelen of oplosmiddelen. Reinig de machine na gebruik met een vochtige doek die in een neutraal schoonmaakmiddel is gedompeld.
3. Houd de aansluiting vrij van vreemde stoffen en maak deze schoon met een zachte en droge borstel of doek.
4. Spreek geen water op de motor en elektrische componenten.
5. Gebruik geen hogedrukreiniger om uw machine te reinigen.

NL

# OPSLAG

1. Haal het batterijpak uit de trimmer voordat u het opbergt.
2. Als de machine en de accu tijdens het gebruik nat zijn geworden in de regen, moeten ze worden gedroogd voordat ze worden opgeborgen of opgeladen. Verwijder de accu en plaats deze opnieuw als de machine niet inschakelt.
3. Bewaar de trimmer op een droge en veilige plaats die ontoegankelijk is voor kinderen en andere onbevoegden.  
Verwijder de maaikop als deze lange tijd niet wordt gebruikt.
4. Bewaar de batterij alleen binnen een temperatuurbereik tussen 5 °C (41 °F) en 25 °C (77 °F). Laat de batterij bijvoorbeeld in de zomer niet in de auto liggen.

## PROBLEMEN OPLOSSEN

De volgende tabel toont problemen en handelingen die u kunt uitvoeren als de machine niet goed werkt.



**Waarschuwing: schakel de machine uit en verwijder de batterij voordat u aan het werk gaat om een probleem op te lossen.**

### TRIMMER


Problemen	Mogelijke oorzaken:	Corrigerende actie
De LED van de batterij knippert	Zwakke batterijspanning	Laad de batterij op.
De LED van de batterij knippert rood	Overbelasting.	De maaikop is vastgelopen. Schakel het apparaat uit. Verwijder de batterij. Verwijder ongewenst materiaal van de maaikop.
	Temperatuurprobleem.	Laat het apparaat afkoelen.
	De gashendel en de Aan/Uit-knop zijn tegelijkertijd ingedrukt.	Laat gashendel los. Voer de startprocedure opnieuw uit.
	Andere problemen	Neem contact op met de servicevertegenwoordiger
Apparaat start niet	Vuil in de batterijaansluitingen.	Reinig de batterijaansluitingen met perslucht of een zachte borstel.
	Andere problemen	Neem contact op met de servicevertegenwoordiger.
De trimmer werkt onregelmatig	De batterij is niet goed in de machine geplaatst.	Plaats de batterij goed.
	Mogelijk een elektrisch probleem.	Neem contact op met de servicevertegenwoordiger
Overmatige trillingen/lawaai.	Probleem met de draadbalans	Draad opwickelen.
	Probleem met de maaikop Machine defect.	Vervang de maaikop. Neem contact op met de servicevertegenwoordiger.

### BATTERIJ

Problemen	Mogelijke oorzaken	Corrigerende actie
De fout-LED brandt	De batterij is leeg	Laad de batterij op. Neem contact op met uw servicevertegenwoordiger als de batterij niet wordt opgeladen.
	Temperatuurprobleem.	Gebruik de batterij in een omgeving met temperaturen tussen -5°C en 45°C (23°F tot 113°F) voor het opladen; -20°C tot 45°C (-4°F tot 113°F) voor het ontladen.
	Overige	Neem contact op met de servicevertegenwoordiger.

## TECHNISCHE GEGEVENS

Type Designation: **KC100 KC100.X** (1-aanduiding van machinerie, vertegenwoordiger van een draadloze grastrimmer)

	<b>KC100 KC100.X **</b>
Spanning	60 V  MAX ***
Snijnsnelheid	4200 / 5100 / 5900 rpm
Maaidiameter	42 cm (16.5")
Diameter draad	2.4 / 2.7 mm (0.095" / 0.105") nylon line
Beschermingsgraad	IPX4
Gewicht (Kaal gereedschap)	4.5 kg (9.9 lbs)

\*\* X = 1-999, A-Z, M1-M9 zijn alleen voor verschillende klanten, er zijn geen veiligheidsgerelateerde wijzigingen tussen deze modellen.

\*\*\* Voltage gemeten zonder belasting. De initiële accuspanning bereikt maximaal 60 volt. De nominale spanning bedraagt 54 volt.

## AANBEVOLEN BATTERIJEN EN LADERS

Accupack	Hoedanigheid	Lader	Amperage
KAC804	4.0 Ah	KAC840	30 A
KAC810 (Met rugzakharnas)	11.0 Ah		

We raden u aan uw accessoires te kopen bij dezelfde dealer die u het gereedschap heeft verkocht. Zie de verpakking van de accessoires voor meer informatie. Uw dealer kan u helpen en advies geven.

## TECHNISCHE GEGEVENS VOOR ACCUPACK (OPTIONEEL)

Frequentiebanden voor Bluetooth	2400-2483.5 MHz
Maximaal uitgezonden vermogen voor Bluetooth	8 dBm

## COMBINATIES VAN MAAIKOPPEN, BESCHERMKAPPEN EN DRAAGSYSTEMEN

Maaikop	Beschermkap	Barrièrestang	Draagsysteem
- 4" trimmerkop (Optioneel, niet inbegrepen) - 5" Trimmerkop	- Hoge zichtbare deflector - Universele deflector met spatscherm	- Optioneel	- Schouderriem - Rugzakbatterijharnas
- Mesblad	- Universele deflector zonder spatscherm	- Vereist	

# GELUIDSPRODUCTIE

A- gewogen geluidsdruk  $L_{pA} = 79.7$  dB(A)

$K_{pA}$  3 dB(A)

A- gewogen geluidsvermogen  $L_{wA} = 94.94$  dB(A)

$K_{wA}$  0.59 dB(A)

**Draag oorbescherming**



# TRILLINGSGEGEVENEN

Gewogen trillingswaarde  $a_n = 2,45$  m/s<sup>2</sup>

Onzekerheid  $K = 3$  m/s<sup>2</sup>

**WAARSCHUWING:** De trillings emissie waarde tijdens het feitelijke gebruik van dit elektrisch gereedschap kan afwijken van de opgegeven waarde, afhankelijk van de wijze waarop het gereedschap wordt gebruikt, zoals in de volgende voorbeelden: Hoe het gereedschap wordt gebruikt en welk materiaal wordt gesneden of geboord.

Of het gereedschap in goede staat verkeerd en correct wordt onderhouden.

Gebruik van de juiste toebehoren voor het gereedschap en of deze scherp zijn en in goede staat verkeren.

De stevigheid van de grip op de handgrepen en het eventuele gebruik van antivibratie- accessoires.

En of het gereedschap wordt gebruikt waarvoor het ontworpen is en in overeenstemming met deze instructies.


**Dit gereedschap kan een trillingsyndroom in de handen en armen veroorzaken als het niet op de juiste wijze gehanteerd wordt.**

**WAARSCHUWING:** Voor de nauwkeurigheid moet bij een schatting van het blootstellingsniveau in de feitelijke gebruiksomstandigheden rekening worden gehouden met alle delen van de bedrijfscyclus, zoals het moment waarop het gereedschap wordt uitgeschakeld en terwijl het gereedschap in werking is zonder daadwerkelijk gebruikt te worden. Dit kan het blootstellingsniveau over de totale werkperiode aanzienlijk verminderen. Help de blootstelling aan trillingen te minimaliseren. Gebruik **ALTIJD** scherpe beitels, boren en messen. Onderhoud het gereedschap in overeenstemming met deze instructies en houd het goed gesmeerd (indien van toepassing).

Schaf antivibratie- accessoires aan wanneer u het gereedschap geregeld gebruikt.

Plan de werkzaamheden zodat de taken met veel trillingen over een aantal dagen verspreid worden.

# BESCHERMING VAN HET MILIEU

 Afgedankte elektrische producten kunt u niet met het normale huisafval weggooien. Breng deze producten, indien mogelijk, naar een recyclecentrum bij u in de buurt. Vraag de verkoper of de gemeente naar informatie en advies over het recyclen van elektrische producten.

# CONFORMITEITVERKLARING

WIJ,  
Positec Germany GmbH  
Postfach 32 02 16, 50796 Cologne, Germany

Namens Positec verklaar ik dat het product, Beschrijving **Draadloze grastrimmer**  
Type **KC100 KC100.X (1-aanduiding van machinerie, vertegenwoordiger van een draadloze grastrimmer)**  
Functie **maaien van gras en andere zachte vegetatie en voor het trimmen van grasranden**

Overeenkomt met de volgende richtlijnen  
**2006/42/EC, 2014/30/EU**  
**2011/65/EU&(EU)2015/863**  
**2000/14/EC gewijzigd door 2005/88/EC**

2000/14/EC gewijzigd door 2005/88/EC:  
- Procedure beoordeling conformiteit volgens Annex VI  
- Niveau gemeten geluidsvermogen 94.94 dB (A)  
- Opgegeven, gegarandeerde niveau geluidsvermogen 96 dB (A)

De betrokken aangemelde instantie  
Naam: **Intertek Deutschland GmbH (aangemelde instantie 0905)**  
Adres: **Stangenstraße 1, 70771 LEINFELDEN-ECHTERDINGEN**

Standaards in overeenstemming met,  
**EN 62841-1, FprEN IEC 62841-4-4:2020+FprAA:2021-02, EN 62233, EN ISO 3744, EN IEC 55014-1, EN IEC 55014-2**

De persoon die bevoegd is om het technische bestand te compileren,  
Naam **Marcel Filtz**  
Adres **Positec Germany GmbH**  
Postfach 32 02 16, 50796 Cologne, Germany



2022/12/5  
Allen Ding  
Plaatsvervangend Chief Ingenieur, Testen en Certificering  
Positec Technology (China) Co., Ltd  
18, Dongwang Road, Suzhou Industrial Park, Jiangsu 215123, P. R. China

# TARTALOMJEGYZÉK

Bevezető.....	109
Az alkatrészek listája.....	110
Termékbiztonság.....	111
Összeszerelés és használat.....	116
Szállítás.....	119
Karbantartás.....	119
Tisztítás.....	121
Tárolás.....	121
Hibaelhárítás.....	122
Műszaki adatok.....	123
Környezetvédelem.....	124
Megfelelőséginyilatkozat.....	124

HU

## BEVEZETŐ

Tisztelt Vásárló!

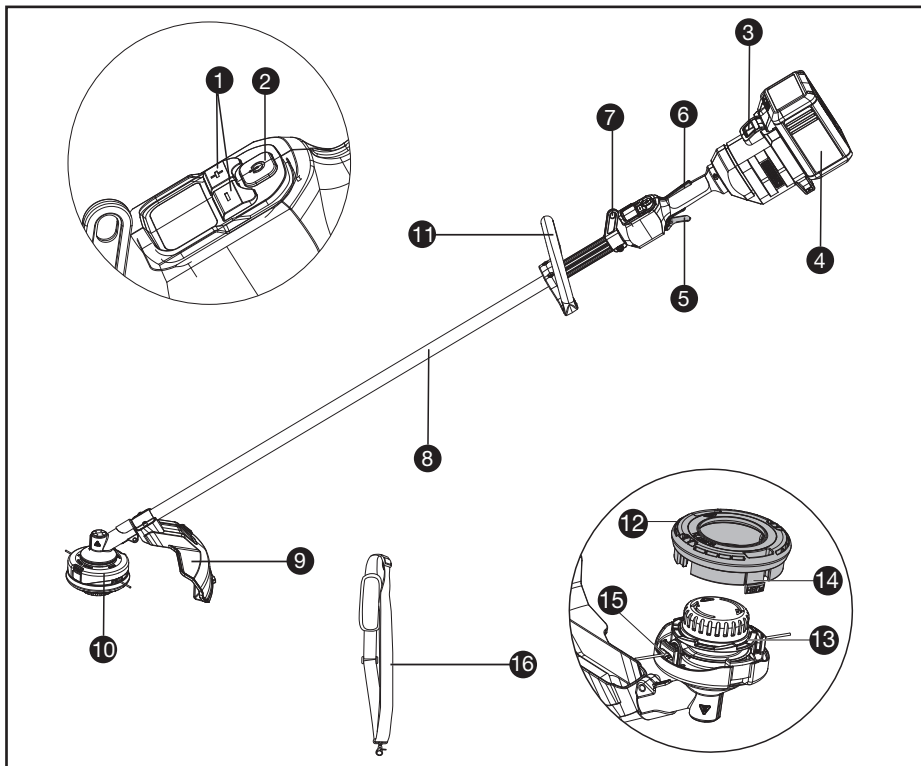
Köszönjük, hogy megvásárolta ezt a Kress Commercial terméket. Elkötelezettek vagyunk az Ön ipari tájépítészeti igényeinek megfelelő, kiváló minőségű termékek kifejlesztése iránt.

A Kress márka egyet jelent a prémium minőségű szolgáltatással. A termék élettartama során, ha bármilyen kérdése vagy aggálya merülne fel a termékkel kapcsolatban, kérjük, forduljon kereskedőjéhez vagy ügyfélszolgálati csapatunkhoz segítségért.

Biztosak vagyunk benne, hogy hosszú éveken át élvezni fogja Kress termékének használatát.

## RENDELTETÉS

Ez a gép olyan fű és magas gyomok vágására szolgál, amelyeket fűnyíróval nem lehet elérni. Ez a gép olyan lejtős területeken is használható, amelyek nem megfelelőek a fűnyírásra.



## AZ ALKATRÉSZEK LISTÁJA

- |     |                                 |
|-----|---------------------------------|
| 1.  | <b>SEBESSÉGSZABÁLYOZÓ</b>       |
| 2.  | <b>FŐKAPCSOLÓ</b>               |
| 3.  | <b>AKKUCSOMAGOT KIOLDÓ GOMB</b> |
| 4.  | <b>AKKUCSOMAG *</b>             |
| 5.  | <b>MARKOLATI KIOLDÓGOMB</b>     |
| 6.  | <b>KÉZI VEZÉRLŐ KAPCSOLÓJA</b>  |
| 7.  | <b>VÁLLPÁNT RÖGZÍTÉS</b>        |
| 8.  | <b>KAR</b>                      |
| 9.  | <b>TÖRMELEKVÉDŐ</b>             |
| 10. | <b>FINOMHANGOLÓ FEJ</b>         |
| 11. | <b>ELÜLSŐ FOGANTYÚ</b>          |
| 12. | <b>ORSÓSAPKA</b>                |
| 13. | <b>ORSÓ</b>                     |
| 14. | <b>SAPKAKIOLDÓ RETESZ</b>       |
| 15. | <b>SZÖGHAJTÁS ALÁTÉT</b>        |
| 16. | <b>VÁLLPÁNT *</b>               |

\* Nem minden gép tartalmazza az összes, a fentiekben felsorolt alkatrészt.

# EREDETI HASZNÁLATI UTASÍTÁS TERMÉKBIZTONSÁG ELEKTROMOS KÉZISZERSZÁMOK BIZTONSÁGOS HASZNÁLATÁVAL KAPCSOLATOS ÁLTALÁNOS FIGYELMEZTETÉSEK



**FIGYELEM:** Olvassa el az összes, ehhez az elektromos kéziszerszámhoz mellékelt biztonsági figyelmeztetést, utasítást és részletes ismertetést, illetve tekintse meg az ábrákat. Az alább felsorolt utasítások bármelyikének figyelmen kívül hagyása áramütést, tüzet és/vagy súlyos testi sérüléseket eredményezhet.

**Órizzon meg az összes figyelmeztetést és utasítást, a jövőben szüksége lehet ezekre.**

A figyelmeztetésekből használatos "elektromos kéziszerszám" kifejezés az ön hálózatról üzemeltetett (vezetékes) elektromos kéziszerszámára vagy akkumulátoros (vezeték nélküli) elektromos kéziszerszámára vonatkozik.

## 1) A munkaterület biztonsága

- a) **A munkaterületet tartsa tisztán és jól megvilágítva.** A zsúfolt vagy sötét munkaterület balesetveszélyes lehet.
- b) **Ne üzemeltessen elektromos kéziszerszámot robbanékony légkörben, például gyúlékony folyadékok, gázok vagy por jelenléte mellett.** Az elektromos kéziszerszámok használata során szikrák keletkeznek, amelyek hatására a por vagy gáz kigyulladhat.
- c) **Elektromos kéziszerszámok működtetése közben tartsa távol a gyermekeket és bámészködőket.** A figyelem elterelése kontrollvesztést eredményezhet.

## 2) Elektromos biztonság

- a) **Az elektromos kéziszerszámok csatlakozó dugaszának találnia kell a csatlakozó aljzathoz.** Soha, semmilyen módon ne módosítsa a csatlakozó dugaszt. Földelt elektromos kéziszerszámokkal ne használjon adaptert. Ha eredeti, módosítatlan csatlakozó dugaszt és megfelelő csatlakozó aljzatot használ, azzal csökkenti az áramütés kockázatát.
- b) **Ne érintse meg a földelt felületeket,**

például csöveket, radiátorokat, tűzhelyeket vagy hűtőszekrényeket. Ha a test földelt, nagyobb az áramütés kockázata.

- c) **Ne üzemeltesse a gépet esőben vagy nedves körülmények között. Ez növelheti az áramütés veszélyét.** Ha működés közben az eső miatt nedves lett, a gépet és az akkumulátort tárolás vagy töltés előtt meg kell szárítani. Vegye ki az akkumulátort, és helyezze vissza, ha a készülék nem kapcsol be. Tartsa az akkumulátor csatlakozóját szennyeződésektől és törmelékektől mentesen, és puha és száraz kefével vagy ruhával tisztítsa meg.
  - d) **Vigyázzon a szerszám kábelére. Soha ne hordozza, húzogassa vagy húzza ki az áramból az elektromos kéziszerszámot a kábelnél fogva. A kábelt tartsa távol a hőtől, olajtól, éles peremektől vagy mozgó részekről.** A sérült vagy összegubancolódott kábel növeli az áramütés kockázatát.
  - e) **Ha az elektromos kéziszerszámot szabadterben üzemelteti, használjon külső használatra alkalmas hosszabbítót.** A külső használatra alkalmas kábel használatával csökken az áramütés kockázata.
  - f) **Ha elkerülhetetlen, hogy az elektromos kéziszerszámot nedves helyen működtesse, használjon maradékáram-működtetésű megszakító (RCD) védelemmel rendelkező áramforrást.** A maradékáram-működtetésű megszakító használata csökkenti az áramütés kockázatát.
- ## 3) Személyi biztonság
- a) **Az elektromos kéziszerszám működtetése közben maradjon éber, figyeljen arra, amit csinál, és használja a józan esztét.** Ne működtesse az elektromos kéziszerszámot fáradtan, illetve gyógyszerek, alkohol vagy drogok hatása alatt áll. Egy pillanatnyi figyelmetlenség az elektromos kéziszerszámok működtetése közben súlyos sérülésekhez vezethet.
  - b) **Használjon személyi védőfelszereléseket. Mindig használjon szemvédelmet.** A személyi védőfelszerelés, például pormaszk, csúszásmentes biztonsági lábbeli, védősisak vagy szükség esetén hallásvédelem használatával csökkenthető a személyi sérülések kockázata.
  - c) **Kerülje el, hogy a szerszám véletlenül működésbe lépjen. Mielőtt az elektromos kéziszerszámot áramhoz csatlakoztatná, behelyezné az akkumulátort, felemelné vagy költöztetné a szerszámot, ellenőrizze hogy a kapcsoló a "ki" helyzetbe legyen állítva.** Ha a szerszám hordozásakor

ujját a kapcsolón tartja, vagy áram alá helyezi a bekapcsolt készüléket, az balesetekhez vezethet.

**d) Mielőtt az elektromos kéziszerszámot bekapcsolná, távolítsa el róla minden állítókulcsot.** Ha az elektromos kéziszerszám forgórészein állítókulcs marad, az személyi sérüléshez vezethet.

**e) Ne próbáljon túl messzire nyúlni. Mindig vigyázzon, hogy stabilan álljon, és őrizze meg egyensúlyát.** Ez segít, hogy váratlan helyzetekben urálja az elektromos kéziszerszámot.

**f) Viseljen megfelelő öltözéket. Ne viseljen bő ruházatot vagy hosszú ékszert. Tartsa távol a haját és ruházatát a mozgó alkatrészekről.** A bő ruházatot, hosszú ékszert vagy hosszú haját bekapathatják a mozgó elemek.

**g) Ha a szerszámhoz porszívó vagy gyújtó is csatlakoztatható, gondoskodjon ezek megfelelő csatlakoztatásáról és használatáról.** A porszívót használatával csökkenthetőek a porral kapcsolatos kockázatok.

**h) Ne hagyja, hogy a szerszám gyakori használata túl elbizakodottá tegye, és hogy ezáltal figyelmen kívül hagyja a szerszám biztonsági követelményeit.** A másodperc töredéke is elég ahhoz, hogy egy figyelmen kívül hagyás súlyos sérüléshez vezessen.

**4) Az elektromos kéziszerszám használata és karbantartása**

**a) Ne erőltesse az elektromos kéziszerszámot. Mindig megfelelő elektromos kéziszerszámot használjon.** Ha a megfelelő elektromos kéziszerszámot használja, azzal a rendeltetési területén jobban és biztonságosabban elvégezhető a munka.

**b) Ne használja az elektromos kéziszerszámot, ha azt nem lehet kikapcsolni.** Ha egy elektromos kéziszerszám nem szabályozható a kapcsolóval, az veszélyes, és javításra szorul.

**c) Húzza ki a csatlakozó dugaszt az áramellátást biztosító aljzathból, és/vagy távolítsa el a kivehető akkucsomagot a szerszámból, ha beállításokat vagy tartozékcsere hajt végre, vagy ha a szerszámot elraktározza.** Ezekkel a megelőző biztonsági intézkedésekkel csökken annak a kockázata, hogy a kéziszerszám véletlenül bekapcsoljon.

**d) Az elektromos kéziszerszámokat használaton kívül tartsa a gyermekektől távol, és ne hagyja, hogy a szerszámot vagy ezeket az utasításokat nem ismerő személyek működtessék azt.** A tapasztalatlan felhasználók kezében az elektromos kéziszerszámok veszélyessé válnak.

**e) Az elektromos kéziszerszámok és tartozékaik karbantartása. Ellenőrizze, hogy a mozgó elemek megfelelően helyezkednek-e el és nem szorultak-e be, az alkatrészek épek, és semmilyen más hiba nincs kihatással az elektromos kéziszerszám működésére. Ha sérülést talál, használat előtt javíttassa meg a szerszámot.** A nem megfelelően karbantartott elektromos kéziszerszámok sok balesetet okoznak.

**f) A vágószerszámokat tartsa tisztán, és figyeljen, hogy élesek maradjanak.** A megfelelően karbantartott, éles vágószerszámok ritkábban akadnak meg, és egyszerűbben irányíthatóak.

**g) Az elektromos kéziszerszámot, a kiegészítőket és fejeket használja a fenti utasításoknak megfelelően, figyelembe véve a munkakörülményeket és az elvégzendő munkát.** Ha az elektromos kéziszerszámot nem rendeltetésszerűen használja, az veszélyhelyzetet teremthet.

**h) Őrizze szárazon, tisztán, olaj- és zsírintenesen a szerszám fogantyúit és megragadási részeit.** A csúszos fogantyúk és megragadási részek főleg váratlan helyzetekben akadályozzák a szerszám biztonságos megfogását, kezelését és irányítását.

**5) Az akkumulátoros kéziszerszám használata és karbantartása**

**a) Csak a gyártó által javasolt töltővel töltsen fel.** Ha egy adott akkumulátorhoz megfelelő töltőt másik akkumulátorral használ, az tűzveszélyes lehet.

**b) Az elektromos kéziszerszámokat csak a kijelölt akkumulátorokkal használja.** Ha más akkumulátorokat használ, az sérülés- és tűzveszélyes.

**c) Az akkumulátorokat használaton kívül tartsa a fémtárgyaktól, például gémkapcsoktól, pénzérméktől, kulcsoktól, szögektől, csavaroktól vagy más kis fémtárgyaktól távol, mert ezek összekapcsolhatják a pólusokat.** Az akkumulátor pólusainak rövidzárlata égés- és tűzveszélyes.

**d) Nem megfelelő körülmények között az akkumulátorból folyadék szivároghat; kerülje az érintkezést ezzel a folyadékkal. Véletlen érintkezés esetén mossa le a vizel. Ha a folyadék szembe kerül, mossa ki vízzel, és forduljon orvoshoz.** Az akkumulátorból szivárgó folyadék irritációt vagy égési sérülést okozhat.

**e) Ne használjon károsodott vagy módosított akkucsomagot vagy szerszámot.** A károsodott vagy módosított akkucsomagok használata előreláthatatlan következményekkel jár, mert ezek



felgyulladhatnak, felrobbanhatnak vagy személyi sérüléseket okozhatnak.

- f) **Újja az akkucsomagot és a szerszámot a tűztől vagy a magas hőmérsékletektől.** A 130°C-t meghaladó hőmérséklet vagy tűz robbanást okozhat.
- g) **Tartsa be az összes újratöltési utasítást és az akkucsomagot vagy a szerszámot csak az utasításokban megadott hőmérsékleti tartományban töltsse újra.** Az előírásoktól vagy a megengedett hőmérsékleti tartománytól eltérő töltési folyamat az akkucsomag károsodását okozhatja, és növeli a tűzveszély kockázatát.
- 6) **Szerviz**
- a) **Az elektromos kéziszerszámot csak képzett szerelő javíthatja megfelelő cserealkatrészekkel.** Ez biztosítja az elektromos kéziszerszám biztonságos működését.
- b) **Soha ne szervizelje a károsodott akkucsomagokat.** A károsodott akkucsomagok szervizelését csak a gyártó vagy az erre felhatalmazott szervizközpontok hajthatják végre.

## **BOZÓTVÁGÓ ÉS BOZÓTFŰRÉSZ BIZTONSÁGI FIGYELMEZTETÉSEI**

- a) **Ne használja a gépet rossz időjárási körülmények között, különösen, ha villámlás veszélye áll fenn. Így csökkentheti a villámcsapás kockázatát.** csökkentheti a villámcsapás kockázatát.
- b) **Gondosan vizsgálja át vadállatok szempontjából a területet, ahol a gépet használni fogja.** A gép működés közben a vadállatok sérülését okozhatja.
- c) **Gondosan ellenőrizze a gép használati helyét, és távolítsa el minden követ, botot, drótot, csontot és egyéb idegen tárgyat.** Az elrepülő tárgyak személyi sérülést okozhatnak.
- d) **A gép használata előtt szemrevételezéssel mindig ellenőrizze, hogy a vágófej vagy -kés és a vágóegység vagy -kés nem sérült-e.** A sérült alkatrészek növelik a sérülésveszélyt.
- e) **Kövesse az útmutatást a tartozékok cseréjéhez. A nem megfelelően meghúzott késrögző anyák vagy csavarok kárt tehetnek a késben, vagy annak leválását okozhatják.**
- f) **A kés névleges fordulatszámának meg kell egyeznie legalább a gépen feltüntetett maximális fordulatszámmal. A névleges fordulatszámnál**
- gyorsabban forgó kések eltörhetnek és szétszóródhatnak.
- g) **Viseljen szem-, fül-, fej- és kézvédőt. A megfelelő védőfelszerelés csökkenti az elrepülő törmelék vagy a damil vagy vágókés véletlen érintéséből bekövetkező személyi sérülések kockázatát.**
- h) **A gép használata közben viseljen munkavédelmi lábbelit. Ne működtesse a gépet mezítláb vagy nyitott szandálban. Ez csökkenti a lábak sérülésének kockázatát, ha azok a mozgó vágófejhez, damilhoz vagy késhez érnek.**
- i) **A gép működtetése közben mindig viseljen hosszúnadrágot. A szabadon lévő bőrfelület megnöveli az elrepülő tárgyak okozta személyi sérülés valószínűségét.**
- j) **A gép használata közben mindig tartsa távol a közelben tartózkodókat. Az elrepülő törmelék súlyos személyi sérülést okozhat.**
- k) **Mindig két kézzel működtesse a gépet. Ha két kézzel tartja a gépet, nem veszíti el az uralmát.**
- l) **Csak a szigetelt markolatoknál fogva tartsa a gépet, mert a damil vagy vágókés rejtett vezetékekhez érhet. Az „áram alatt álló” vezetékkel érintkező damil vagy vágókés a gép szabadon lévő fémrészeit „áram alá helyezheti”, és a kezelőt áramütés érheti.**
- m) **Mindig stabilan álljon, és csak a talajon állva működtesse a gépet. A csúszós vagy instabil felületek miatt elveszítheti egyensúlyát vagy uralmát a gép felett.**
- n) **Ne használja a gépet rendkívül meredek lejtőn. Ez csökkenti annak veszélyét, hogy elveszti a gép feletti uralmat, megcsúszik vagy elesik, ami személyi sérüléshez vezethet.**
- o) **Lejtőn végzett munka közben mindig stabilan álljon, mindig a lejtő vonalával párhuzamosan dolgozzon, soha ne használja fel-le irányban, és irányváltáskor legyen rendkívül óvatos. Ez csökkenti annak veszélyét, hogy elveszti a gép feletti uralmat, megcsúszik vagy elesik, ami személyi sérüléshez vezethet.**
- p) **Testrészeit tartsa a vágófejtől, damiltól vagy vágókéstől távol, amikor a gép üzemel. Mielőtt beindítaná a gépet, győződjön meg róla, hogy a vágófej, damil vagy kés nem ér semmihez. Ha egy pillanatra lankad a figyelme a gép használata közben, azzal saját vagy mások sérülését okozhatja.**
- q) **Ne működtesse a gépet derékmagasságnál magasabban. Ezzel elkerülhető a vágófejjel vagy késsel való véletlen érintkezés, és váratlan**

helyzetekben segít megőrizni a gép feletti uralmat.

- r) Rugalmas cserjék vagy facsemeték vágásakor készüljön fel a visszacsapódásukra. Ha megszűnik a farostok közti feszültség, a cserjék vagy facsemeték megüthetik a gépkezelőt, és/vagy a kezelő elveszítheti miattuk az uralmát a gép felett.
- s) Cserjék vagy facsemeték vágásakor legyen rendkívül körültekintő. A vékony anyagtól megszorulhat a kés, a gép Ön felé lendülhet, vagy előreránthatja.
- t) Őrizze meg a gép feletti uralmát, és ne érjen a vágófejhez, damilhoz vagy késhez, vagy más veszélyes mozgó alkatrészhez, amíg az mozog. Ez csökkenti a mozgó alkatrészek okozta személyi sérülések kockázatát.
- u) Kikapcsolt állapotban, testétől távol tartva hordozza a gépet. A gép megfelelő kezelése csökkenti annak kockázatát, hogy véletlenül a mozgó vágófejhez, damilhoz vagy késhez ér.
- v) A gép szállításához vagy tárolásához mindig szerelje fel a burkolatot a fémkésekre. A gép megfelelő kezelése csökkenti annak kockázatát, hogy véletlenül a vágófejhez, damilhoz vagy késhez ér.
- w) Cseréhez csak a gyártó által előírt vágófejeket, damilokat vagy késeket használja. A nem megfelelő cserealkatrészek miatt nagyobb a kockázata annak, hogy azok törést és személyi sérülést okoznak.
- x) Beszorult anyag eltávolításakor vagy a gép karbantatásakor győződjön meg arról, hogy a kapcsoló ki van kapcsolva, és az akkumulátor el van távolítva. Súlyos személyi sérülést okozhat, ha a gép váratlanul elindul az elakadt anyag eltávolítása vagy az eszköz karbantartása során.

## A KÉS TOLÓERÉJÉNEK OKAI ÉS A KAPCSOLÓDÓ FIGYELMEZTETÉSEK

A kés tolóereje a gép hirtelen oldalirányú, előre vagy hátra irányuló mozgása, amely akkor fordulhat elő, ha a kés elakad vagy megakad egy tárgyon, például egy facsemetén vagy egy fatörzsön. Elég heves lehet ahhoz, hogy a gépet és/vagy a kezelőt bármilyen irányba kilökje, és esetleg elveszítse a gép feletti uralmát.

A késlökés és a vele járó veszélyek elkerülhetők az alábbiakban ismertetett megfelelő óvintézkedések megtételével.

- a) Tartsa mindkét kezét stabilan a gépen, és a karjait úgy helyezze el, hogy ellenálljon a kés tolóerejének. Helyezze a testét a gép bal oldalára. A kés tolóereje növelheti a sérülés kockázatát a gép váratlan mozgása miatt. *A kés tolóereje a megfelelő óvintézkedések megtétele esetén a kezelő által szabályozható.*
- b) Ha a kés megakad, vagy ha bármilyen okból megszakítja a vágást, kapcsolja ki a gépet, és tartsa a gépet mozdulatlanul az adott vágandó anyagban, amíg a kés teljesen meg nem áll. Amíg a kés be van akadva, soha ne próbálja meg kivenni a gépet a vágandó anyagtól, vagy hátrahúzni a gépet, amíg a kés mozgásban van, különben a kés tolóereje miatti sérülés történhet. *Vizsgálja meg és tegyen korrekciós intézkedéseket, hogy megszüntesse a késmegakadás okát.*
- c) Ne használjon tompa vagy sérült késeket. *A tompa vagy sérült kések növelik az elakadás vagy a tárgyakra való beakadás kockázatát, ami a kés tolóerejét eredményezi.*
- d) A vágandó anyag mindig jól látható legyen. *A kés tolóereje nagyobb valószínűséggel fordul elő olyan területeken, ahol a vágott anyag nehezen látható.*
- e) Ha a gép működtetése közben egy másik személy közeledik Önhöz, kapcsolja ki a gépet. *Fokozottan fennáll a sérülés veszélye más személyek számára, ha a mozgó kés eltalálja őket a kés tolóereje esetén.*

## AZ AKKUMULÁTORRAL KAPCSOLATOS BIZTONSÁGI FIGYELMEZTETÉSEK

- a) Az akkumulátort ne szedje szét, ne nyissa fel és ne vágja meg.
- b) Ne zárja rövidre az akkumulátort. Az akkumulátorokat ne tárolja olyan dobozban vagy fiókban, ahol rövidre zárhatják egymást, vagy valamilyen vezető anyag a rövidzárlatukat okozhatja. Az akkumulátorokat használaton kívül tartsa a fémtárgyaktól, például gemkapcsoktól, pénzérméktől, kulcsoktól, szögektől, csavaroktól vagy más kis fémtárgyaktól távol, mert ezek összekapcsolhatják a pólusokat. Az akkumulátor pólusainak rövidzárlata égés- és tűzveszélyes.
- c) Ne tegye ki hőnek vagy tűznek az akkumulátort. Ne tárolja közvetlen napfényben.
- d) Az akkumulátort ne tegye ki ütésnek.
- e) Ha az akkumulátor szivárog, vigyázzon, hogy a folyadék ne kerüljön

**a bőrre vagy szembe. Amennyiben a bőrre vagy szembe kerül, az érintett területet mossa le bő vízzel, és forduljon orvoshoz.**

- f) Vigyázzon, hogy az akkumulátor tiszta és száraz maradjon.**
- g) Ha az akkumulátor pólusaira szennyeződés kerül, azt egy tiszta, száraz ruhával törölje le.**
- h) Az akkumulátort használat előtt fel kell tölteni. A töltést mindig az utasításoknak megfelelően, helyes eljárást használva végezze.**
- i) Használaton kívül ne hagyja töltőn az akkumulátort.**
- j) Hosszan tartó tárolást követően a maximális teljesítmény elérése érdekében szükséges lehet, hogy az akkumulátort többször feltöltse és lemerítse.**
- k) Csak a Kress által javasolt töltővel töltsen fel. Kizárólag a készülékhez való használatra mellékelt töltőt használja.**
- l) Ne használjon a készülékkel való használatra tervezettől eltérő akkumulátort.**
- m) Az akkumulátort gyermekektől távol tartandó.**
- n) Őrizze meg a termékhez mellékelt utasításokat, a későbbiekben szüksége lehet ezekre.**
- o) Amikor a szerszámot nem használja, vegye ki belőle az akkumulátort.**
- p) Ártalmatlanításnál megfelelően járjon el.**
- q) Ne helyezzen be különböző gyártóktól származó, illetve eltérő kapacitású, méretű vagy típusú akkukat a készülékbe.**
- r) Tartsa távol az akkumulátort mikrohullámoktól és nagy nyomástól.**

## A VEZETÉK NÉLKÜLI TERMÉKRE VONATKOZÓ FELHASZNÁLÓI KÉZIKÖNYV ELŐÍRÁSAI

- a) A készülék működtetése a következő két feltételhez van kötve:  
 (1) Ez a készülék nem okozhat káros interferenciát, és  
 (2) a készüléknek el kell viselnie minden külső interferenciát, beleértve azt is, amely nem szándékolt működést okozhat.
- b) Vigyázat! A készülék megfelelőségért felelős fél kifejezetten nem jóváhagyott módosításai és változtatásai érvényteleníthetik a felhasználónak a készülék használatára

vonatkozó jogát.

- c) **MEGJEGYZÉS:** A berendezés rádiófrekvenciás energiát állít elő, használ és sugároz, ami, ha a készüléket nem az utasításoknak megfelelően használják, zavarhatja a rádiós kommunikációt. Nem garantálható ugyanakkor, hogy egy adott alkalmazás során nem lép fel interferencia. Amennyiben ez a készülék zavaró interferenciát okoz a rádió- vagy televízióműsorok vételében, amit a készülék ki- és bekapcsolásával lehet megállapítani, arra kérjük a készülék használatát, hogy próbálja meg kiküszöbölni az interferenciát a következő megoldások egyikevel:
- Változtassa meg a vevőantenna irányát vagy helyét.
  - Növelje a távolságot a berendezés és a vevőkészülék között.
  - Csatlakoztassa a készüléket egy olyan konnektorba, amelyik másik áramkörön van, mint amelyekre a vevőkészülék csatlakoztatva van.
  - Forduljon segítségért a márkakereskedőhöz vagy egy tapasztalt rádió-/TV-szerelőhöz.

## SZIMBÓLUMOK

	A sérülésveszély csökkentése érdekében a felhasználónak el kell olvasnia az utasításokat	HU
	Viseljen szem-, fül- és fejevédőt	
	Viseljen csúszásgátló lábbelit	
	FIGYELMEZTETÉS! – A gép és a közelben tartózkodók közti távolság legyen legalább 15 m	
	FIGYELMEZTETÉS! – Elrepülő tárgyak veszélye.	
	FIGYELMEZTETÉS! – Vigyázzon a penge tolóerejét illetően.	
	Ne használjon fémkéseket.	

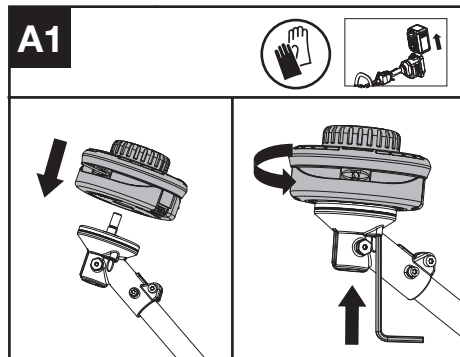
	<b>FIGYELMEZTETÉS!</b> – Karbantartás előtt válassza le az akkumulátort.
	Viseljen kézvédőt
	A leselejtezett elektromos készülékek nem dobhatók ki a háztartási hulladékkal. Ha van a közelben elektromos hulladék gyűjtő udvar, vigye oda a készüléket. Az újrahasznosítási lehetőségekről tájékozódjon a helyi hatóságoknál vagy a kereskedőnél.
	Lítium-ion akkumulátor. A terméken található szimbólum arra utal, hogy minden akkumulátorcsomagot külön kell gyűjteni. Ezeket aztán újrahasznosítják vagy szétszerelik, hogy csökkentsék a környezetre gyakorolt hatását. Az akkumulátorcsomag veszélyes lehet a környezetre és az emberi egészségre nézve, mivel veszélyes anyagokat tartalmaz.
	Ne dobja tűzbe
	Az akkumulátor nem megfelelő leselejtezés esetén bekerülhet a víz körforgásba, ami veszélyes lehet az ökoszisztémára nézve. A hulladék akkumulátort ne dobja a kommunális hulladékba
	Gondoskodjon arról, hogy az akkumulátort eltávolította az alkatrészek cseréjét megelőzően.
	Szélezés

## ÖSSZESZERELÉS ÉS MŰKÖDÉS

**MEGJEGYZÉS:** Mielőtt a szerszámot használná, olvassa el figyelmesen az utasításokat.

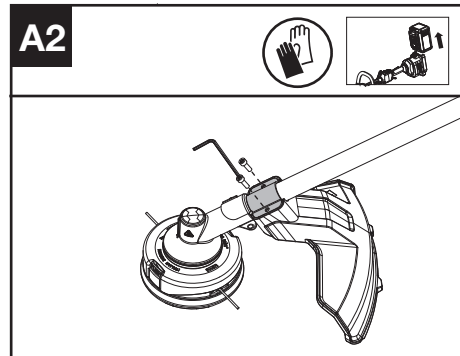
### **MŰKÖDTETÉS ELŐTT:** **Szerelje fel a vágófejet. (lásd az A1. ábrát)**

Szerelje fel a vágófejet. Helyezze be a hatlapfejű imbuszkulcsot a furatba, és forgassa el a nyírófejet, amíg meg nem áll a reteszelt helyzetben.



### **A törmelékvédő összeszerelése (lásd az A2. ábrát)**

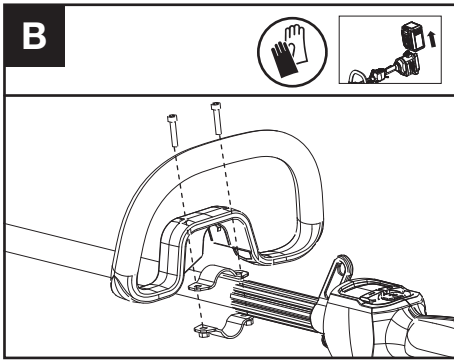
1. Szerelje fel a nyírófejnek megfelelő törmelékvédőt.
2. Rögzítse a védőt a helyére a csavar és a torx imbuszkulcs segítségével.



### **Az első fogantyú összeszerelése (lásd a B. ábrát)**

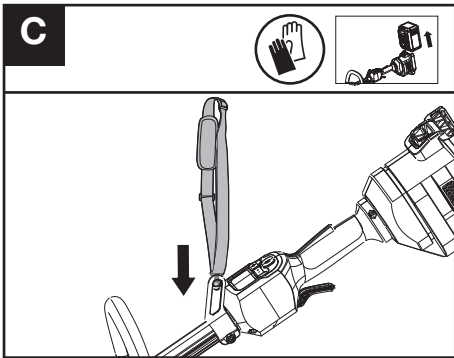
1. Csatlakoztassa az első fogantyút és az alsó bilincset a tengelyhez.
2. Dugja át a csavart a furatokon.
3. Húzza meg az első fogantyút.

**FIGYELEM!** Állítsa be az első fogantyút a kívánt módon, hogy az első karja egyenes legyen, amikor a nyírógépet használja.



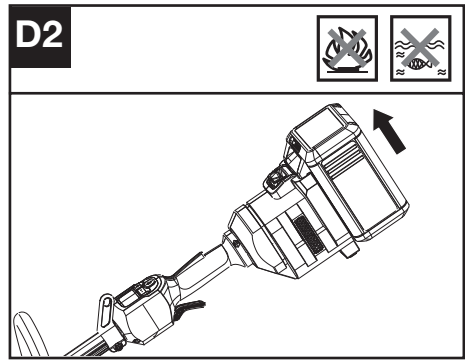
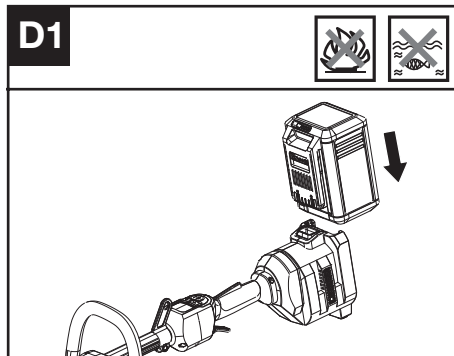
### Összeszerelése Vállsúly (Külön megvásárolható)(lásd az C. ábrát)

1. Állítsa be a vállpánt hosszát.
2. Csatlakoztassa a kiegészítő vállsúly karabinerét a nyírógép tengelyén lévő kampóra.



### Az Akkumulátor Eltávolítása Vagy Behelyezése (Lásd D1, D2. ábrá)

1. Csúsztassa az akkumulátort az akkumulátortartó rekeszbe.
2. Nyomja le az akkumulátorkioldó gombot, és csúsztassa ki az eszközből az akkumulátort.



### CSATLAKOZTATÁS A HÁTIZSÁK HEVEDERHEZ (LÁSD A D3. ÁBRÁT)

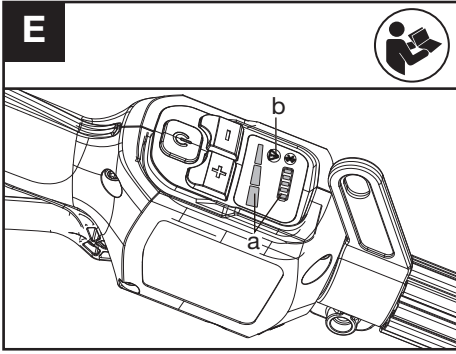
A nyírógépet egy kiegészítő háti hevederrel lehet csatlakoztatni (nem tartozék). További információkért olvassa el a háti heveder kézikönyvét.



### A NYÍRÓGÉP ÉS AZ AKKUMULÁTOR TESZTELÉSE (LÁSD AZ E. ÁBRÁT)

#### A vezérlőelemek ellenőrzése Kézi vezérlő kapcsolója és markolati kioldógomb

1. Távolítsa el az akkumulátort.
2. Próbálja megnyomni a markolati kioldógombot. Ha a markolati kioldógombot meg lehet nyomni anélkül, hogy a kézi vezérlő kapcsolóját lenyomná, akkor a kézi vezérlő kapcsoló hibás. Hagyja abba a nyírógép használatát, és forduljon a szervizhez.
4. Először tartsa lenyomva és nyomja meg a kézi vezérlő kapcsolóját, majd nyomja meg a markolati kioldógombot.
5. Engedje el a markolati kioldógombot és a kézi vezérlő kapcsolóját. Ha a markolati kioldógomb vagy a kézi vezérlő kapcsolója beragad, és nem tud visszarugózni az eredeti helyzetébe. Hagyja abba a nyírógép használatát, és forduljon a szervizhez.



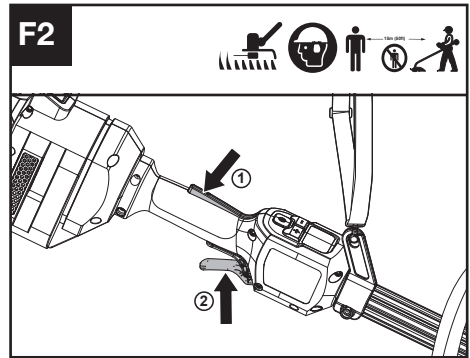
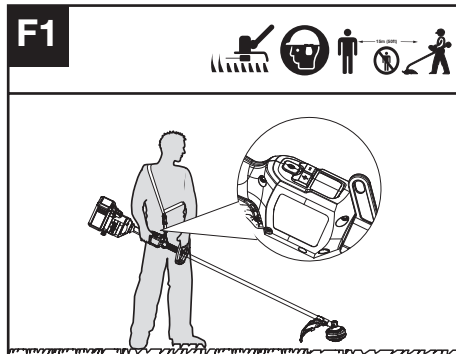
### A kijelző ellenőrzése

1. Helyezze be az akkumulátort.
2. Tartsa lenyomva és nyomja meg a Be/Ki kapcsolót.  
A termék akkor van bekapcsolva, ha a LED (a) világít.  
A termék akkor van kikapcsolva, ha a LED (a) kialszik.
3. A gép beindításához először nyomja meg a kézi vezérlő kapcsolóját, majd nyomja meg a markolati kioldógombot. A szegélynyíró fej forog.
4. Ha a vészjelző (b) világít vagy villog, a megoldásokért olvassa el a Hibaelhárítás című fejezetet.
5. Engedje el a markolati kioldógombot. A nyírófej rövid késleltetés után nem forog tovább.  
Ha a nyírófej továbbra is forog, vegye ki az akkumulátort, és forduljon a szervizhez.

### MŰKÖDÉS:

#### A nyírógép beindítása (lásd az F1., F2. ábrát)

1. Tartsa erősen és irányítsa a nyírógépet a jobb kezét a kezelőfogantyún tartva – fogja át a hüvelykujjával a kezelőfogantyút. Tartsa és irányítsa a nyírógépet a bal kezét a kezelőfogantyún tartva – fogja át a hüvelykujjával a kezelőfogantyút.
2. Tartsa lenyomva és nyomja meg a Be/Ki kapcsolót, amíg a zöld LED világít. A zöld LED a teljesítményszintet mutatja.



3. A gép beindításához először nyomja meg a kézi vezérlő kapcsolóját, majd nyomja meg a markolati kioldógombot. Az indítás/leállítás zöld LED-je 5 másodperc után kialszik, ha nem a biztonsági előírásoknak megfelelően használják. Amikor nem vág, a készülék bekapcsolva marad, ha a kézi vezérlő kapcsolóját a gép működtetése nélkül lenyomva tartjuk. Ha a zöld LED kialszik, a terméket újra kell indítani.

**MEGJEGYZÉS:** A kézi vezérlő kapcsolóját úgy tervezték, hogy megakadályozza a véletlenszerű működtetést. Amikor megnyomja a kézi vezérlő kapcsolóját, az feloldja a markolati kioldógombot.

### A sebesség kiválasztása

Az alkalmazástól függően 3 teljesítményszint állítható be. A +/- gombok segítségével szabályozhatja a sebességet. A LED-ek jelzik a kiválasztott sebességfokozatot. Minél magasabb a teljesítményszint, annál gyorsabban tud futni a vágóeszköz.

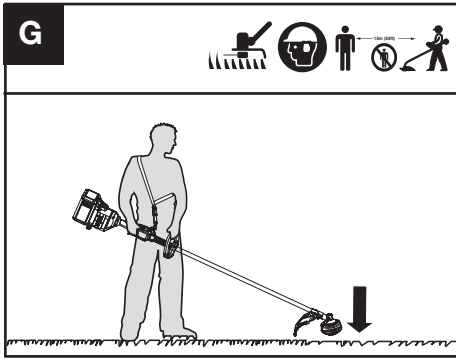
### A nyírógép leállítás

A gép leállításához engedje el a markolati kioldógombot.

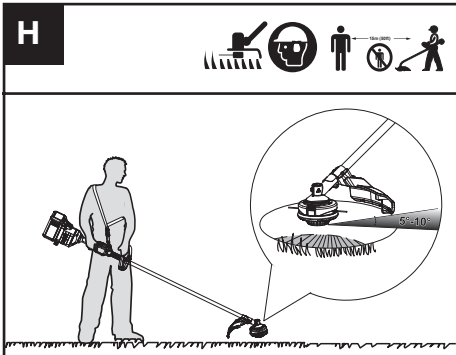
**FIGYELEM!** A vágófej a kikapcsolást követően tovább forog; várja meg, amíg teljesen leáll, és csak ekkor tegye le a szerszámot.

### Bump line etetési rendszer (Lásd G. ábrát)

A trimmer puffer vonal rendszerrel van felszerelve. Amikor megérinti a trimmer fejét, miközben a gép fut, az új vonal kerül kiadásra.



## Vágási tanácsok (Lásd H. ábrá)



1. Fordítsa a trimmert egyik oldalról a másikra a vágni kívánt területen.
2. A vágáshoz használja a damil hegyét; ne használja a vágófejet elhanyagolt fű vágásához.
3. Drótok és kerítéslécek a vágódamil extra kopását és törését okozhatják. Kő- és téglafalak, szegélyek és fa hatására gyorsan elkophat
4. Kerülje ki a fákat és cserjéket. A fák kérgét, a fa díszléceket, a deszkaburkolatot és a kerítésoszlopokat könnyen felsértheti a damil.
5. A kiválasztott teljesítményszint befolyásolja az akkumulátor üzemidejét. Minél alacsonyabb a teljesítményszint, annál hosszabb az üzemidő. Ajánlott a legalacsonyabb teljesítményszintet használni, kivéve, ha rosszabb nyírási körülmények között van.

## Akkus kéziszerszámokra vonatkozó figyelmeztetések

A lemerítéshez ajánlott környezeti hőmérséklet-tartomány  $-20^{\circ}\text{C}\sim 45^{\circ}\text{C}$  ( $-4^{\circ}\text{F}\sim 113^{\circ}\text{F}$ ).  
A töltőrendszer csak  $-5^{\circ}\text{C}\sim 45^{\circ}\text{C}$  ( $23^{\circ}\text{F}\sim 113^{\circ}\text{F}$ ) közötti ajánlott környezeti hőmérsékleteken használható. ( $23^{\circ}\text{F}\sim 113^{\circ}\text{F}$ ).

## SZÁLLÍTÁS

### A nyírógép szállítása

1. Kapcsolja ki a nyírógépet, és távolítsa el az akkumulátort.
2. Ha kézzel szállítja a nyírógépet, fogja meg a tengely közepét a nyírófejjel hátrafelé, és ellenőrizze, hogy a gép párhuzamos legyen a talajjal.
3. Ha a nyírógépet járműben szállítja, úgy rögzítse és helyezze el, hogy ne mozduljon el, és ne sérüljön meg.

### Az akkumulátor szállítása

1. Gondoskodjon arról, hogy az akkumulátor biztonságos állapotban legyen.
2. Az akkumulátor szállításakor olyan csomagolást használjon, amely nem vezeti az áramot.
3. A benne lévő Li-ion akkumulátorokra a veszélyes árukra vonatkozó jogszabályi követelmények vonatkoznak.

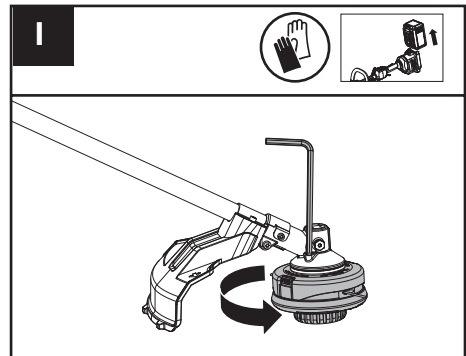
Az akkumulátorokat csak akkor szállítsa, ha az akkumulátorház sértetlen. Az akkumulátorokat úgy csomagolja be, hogy ne tudjanak elmozdulni a csomagolásban.

## KARBANTARTÁS

**!** Használat után mindig vegye ki az akkumulátort a szegélyvágóból.

### A nyírófej cseréje (lásd I. ábra)

**!** FIGYELEM! Drót vagy fémmel erősített zsinór használata nem engedélyezett, és rendkívül veszélyes lehet. Csak a jelen kézikönyvben ajánlott vágózsinórt használja, az ajánlott törmelékvédevel együtt.



**!** FIGYELEM! A sérült vagy laza vágótartozék fej rezeghet, megrepedhet, eltörhet vagy leválhat a nyíróról, ami súlyos vagy halálos sérülést vagy anyagi kárt okozhat. A munka megkezdése előtt győződjön meg arról, hogy a nyírófej megfelelően és biztonságosan meg van-e húzva és jó állapotban van-e.

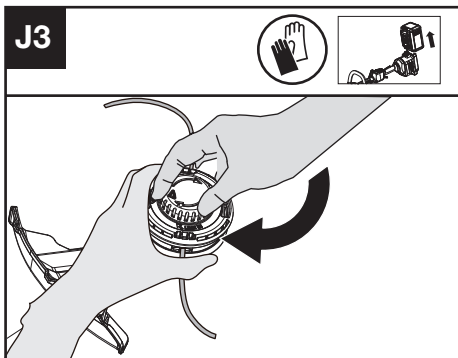
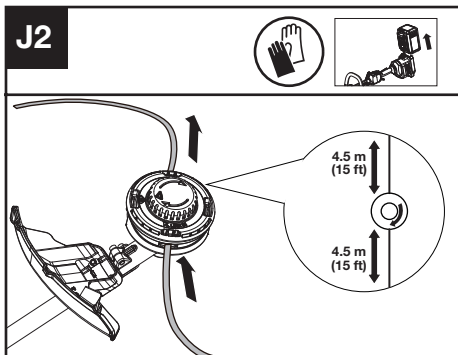
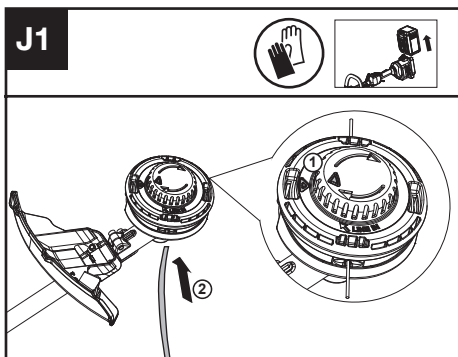
1. Helyezze be a hatlapfejű imbuszkulcsot a furatba,

és forgassa el a nyírófejet, amíg meg nem áll a reteszelt helyzetben.

2. Ezután forgassa el az óramutató járásával megegyező irányba, hogy levegye, és az óramutató járásával ellentétes irányban, hogy feltegye.

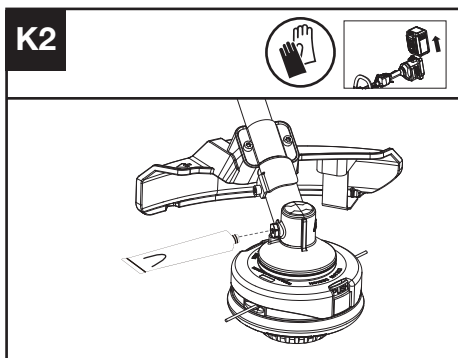
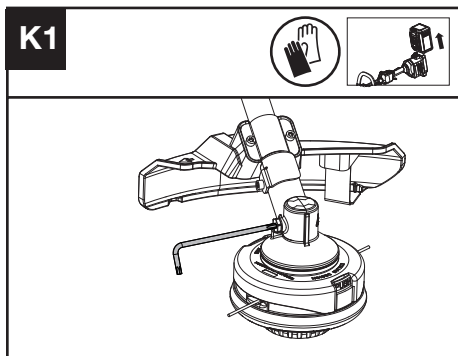
### Tekerje le a trimmer vonalát (Lásd J1, J2, J3. ábrát)

1. Forgassa el az orsósapkát, hogy a két háromszög ikon egy vonalba kerüljön. (Lásd a J1. ábrát.)
2. Helyezze be a cserezsinórt a szemén keresztül (Line In), és vezesse ki a másik szemén keresztül. Győződjön meg róla, hogy a zsinór mindkét vége egyenesen áll a nyírófej mindkét végén (ajánlott 4.5 m (15 láb)), és vágja el a zsinórt. (Lásd a J2. ábrát.)
3. A tárcsát az óramutató járásával megegyező irányban elforgatva tekerje fel a zsinórt az orsó köré, amíg kb. 16 cm (6") marad mindkét oldalon. (Lásd a J3. ábrát.)



### A hajtómű kenése (lásd K1., K2. ábra)

1. Távolítsa el a hajtóművön lévő csavart.
2. Ha a csavar végén nincs egyenes hajtóműzsír, nyomjon 5 g hajtóműzsírt (SHELL Gadus S2 V220 1) a hajtóműházba.
3. Szerelje vissza és húzza meg erősen a csavart.
4. Helyezze be az akkumulátort, és működtesse a nyírógépet 1 percgig, hogy a fogaskerekek egyenesen meg legyenek kenve.

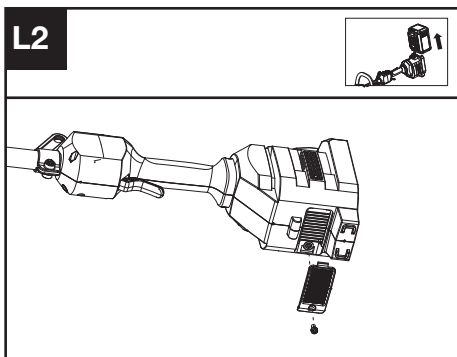
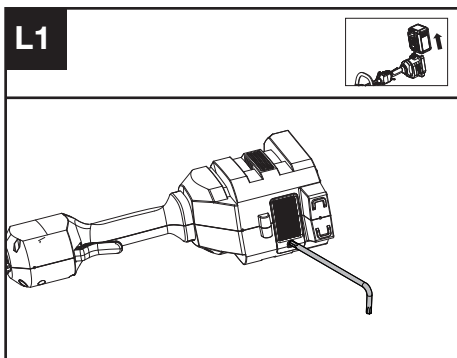


### A légszűrő tisztítása (lásd az L1., L2. ábrát)

1. Tisztítsa meg a légszűrő környékét. Használjon



- nedves ruhát vagy puha kefét.
2. Csavarja ki és vegye ki a légszűrőt.
  3. Folyó vízzel mossa ki a légszűrőt a szennyeződések eltávolítása érdekében.
  4. Hagyja a légszűrőt a levegőn megszáradni. Ezután a csavar meghúzásával szerelje be a házba.



### Karbantartási időközök

A tényleges használat alapján 50 üzemóránként ajánlott megkenni a hajtóművet és megtisztítani a légszűrőt.

## TISZTÍTÁS

1. Kapcsolja ki a nyírógépet, és távolítsa el az akkumulátort.
2. Ne használjon agresszív tisztító- vagy oldószereket. Használat után tisztítsa meg a készüléket egy semleges tisztítószerbe mártott nedves kendővel.
3. Távolítsa el az aljatról az idegen anyagokat, puha és száraz kefével vagy kendővel tisztítsa meg.
4. Ne spricceljen vizet a motorra és az elektromos alkatrészekre.
5. Ne használjon nagynyomású mosóberendezést a gép megtisztításához.

## TÁROLÁS

1. Tárolás előtt vegye ki az akkumulátort.
2. Ha működés közben az eső miatt nedves lett, a gépet és az akkumulátort tárolás vagy töltés előtt meg kell szárítani. Vegye ki az akkumulátort, és helyezze vissza, ha a készülék nem kapcsol be.
3. Olyan száraz és biztonságos helyen tárolja, amely gyermekek és más illetéktelen személyek számára nem elérhető. Távolítsa el a vágóeszközt, ha hosszabb ideig nem használja.
3. Az akkumulátort csak 5 °C (41 °F) és 25 °C (77 °F) közötti hőmérséklet-tartományban tárolja. Példának okáért nyáron ne hagyja az akkumulátort az autóban.

# HIBAKERESÉS

A következő táblázatban a hibatünetek, azok lehetséges okai és elhárításuk módja található, olyan esetekre, amikor a kerti kisgépek nem működik kifogástalanul.



**FIGYELEM:** A hibakeresés előtt kapcsolja ki a kerti kisgépet és vegye ki belőle az akkumulátort.

## NYÍRÓGÉP


Problémák	Lehetséges okok	Helyrehozatal
Az akkumulátor jelző LED villog	Alacsony az akkumulátor töltöttsége.	Töltse fel az akkumulátort.
Piros hibajelző LED villog.	Túlterhelés.	A vágóeszköz elakadt. Kapcsolja ki a terméket. Távolítsa el az akkumulátort. Tisztítsa meg a vágóeszközt a nem kívánt anyagoktól.
	Hőmérsékleti probléma.	Hagyja lehűlni a terméket.
	A markolati kioldó és a Be/ Ki gomb egyidejűleg van lenyomva.	Engedje el a markolati kioldógombot. Végezze el újra a beindítási műveletsort.
	Egyéb problémák	Vegye fel a kapcsolatot a szervizzel
A termék nem indul el	Törmelék az akkumulátor csatlakozóiban.	Tisztítsa meg az akkumulátor csatlakozókat sűrített levegővel vagy puha kefével.
	Egyéb problémák	Vegye fel a kapcsolatot a szervizzel.
A nyírógép akadozva működik	Az akkumulátor nincs teljesen a géphez csatlakoztatva.	Helyezze be az akkumulátort teljes egészében.
	Lehetséges elektromos probléma.	Vegye fel a kapcsolatot a szervizzel.
Túlzott rezgés/zaj.	Zsinóradagolási probléma.	Tekerje vissza a damilt.
	Vágóeszköz probléma. A gép meghibásodott.	Cserélje ki a vágóeszközt. Vegye fel a kapcsolatot a szervizzel.

## AKKUMULÁTOR

Problémák	Lehetséges okok	Helyrehozatal
Hibajelző LED világít	Az akkumulátor lemerült	Töltse fel az akkumulátort. Ha az akkumulátor nem töltődik, forduljon a szervizhez.
	Hőmérsékleti probléma.	Az akkumulátort olyan környezetben használja, ahol a hőmérséklet töltéskor -5°C és 45°C (23°F és 113°F) között van; míg lemerítéskor -20°C és 45°C (-4°F és 113°F) között van.
	Egyebek	Vegye fel a kapcsolatot a szervizzel.

# MŰSZAKI ADATOK

Típus: **KC100 KC100.X (1-a készülék jelölése, azaz az Akkus fűnyírógépé)**

	<b>KC100 KC100.X **</b>
Feszültség	60 V  MAX ***
Vágási sebesség	4200 / 5100 / 5900 rpm
Vágó átmérője	42 cm (16.5")
Zsinórátmérő	2.4 / 2.7 mm (0.095" / 0.105") nylon line
Védelmi fokozat	IPX4
Súly(Meztelen eszközzel)	4.5 kg (9.9 lbs)

\*\* X = 1-999, A-Z, M1-M9 csak különféle vásárlókra vonatkozik, ezek között a modellek között nincs biztonsági változás.

\*\*\* Terhelés nélküli feszültség. Az akkumulátor kezdő feszültsége maximum 60 volt. A névleges feszültség 54 volt.

## JAVASOLT AKKUMULÁTOROK ÉS TÖLTŐK

<b>Akkumulató</b>	<b>Mapacitás</b>	<b>Töltés</b>	<b>Amperage</b>
KAC804	4.0 Ah	KAC840	30 A
KAC810 (Háti hevederrel)	11.0 Ah		

Javasoljuk, hogy a tartozékokat ugyanattól a kereskedőtől vásárolja meg, aki a szerszámot is eladta. További részletekért olvassa el a tartozékcsomagolást. A márkakereskedő segíthet Önnek és tanácsot adhat.

HU

## AZ AKKUMULÁTOR MŰSZAKI ADATAI (OPCIONÁLIS)

A Bluetooth frekvenciasávjai	2400-2483.5 MHz
A Bluetooth maximális átvitt teljesítménye	8 dBm

## VÁGÓESZKÖZÖK, TERELŐLAPOK ÉS HORDOZÓ RENDSZEREK KOMBINÁCIÓI

<b>Vágóeszköz</b>	<b>Törlemék elleni védőburkolat</b>	<b>Védőkoriát</b>	<b>Hordozó rendszer</b>
- 4" nyírófej (opcionális, nem tartozék) - 5" nyírófej	- Jól látható légtelelő - Univerzális terelőszárny peremmel	- Opcionális	- Vállszíj - Hátizsák akkus heveder
- Késpenge	- Univerzális terelőszárny perem nélkül	- Kötelező	

# ZAJÉRTÉKEK

A-súlyozású hangnyomásszint  $L_{pA} = 79.7$  dB(A)

$K_{pA}$  3 dB(A)

A-súlyozású hangerő  $L_{WA} = 94.94$  dB(A)

$K_{WA}$  0.59 dB(A)

**Viseljen hallásvédőt.**



# REZGÉSÉRTÉKEK

Tipikus súlyozott rezgés  $a_{ri} = 2,45$  m/s<sup>2</sup>

Bizonytalanság  $K = 3$  m/s<sup>2</sup>

**FIGYELEM:** Az elektromos kéziszerszám használata során a rezgés kibocsátás eltérhet a fenti értéktől attól függően, hogy a szerszámot hogyan használják. Az érték függhet az alábbiaktól:

Hogyan használják a szerszámot, milyen anyagokat vágnak vagy fúrnak.

Az eszköz jó állapotban van-e, megfelelően karbantartják-e.

Megfelelő tartozékokat használnak-e az eszközhöz,

vigyáznak-e, hogy éles legyen és jó állapotban maradjon.

A fogantyú megfelelően rögzül-e, használnak-e

rezgéscsillapító tartozékokat.

A szerszámot rendeltetészerűen, kialakításának és a jelen utasításoknak megfelelően használják-e.

**Ha a szerszámot nem kezelik megfelelően, kézkar vibrációs szindrómát okozhat.**

**FIGYELEM:** A pontosság érdekében az expozíciós szint becslött értékéhez a valós használati körülmények között figyelembe kell venni a működési ciklus valamennyi elemét, így azt az időt is, amikor a szerszám ki van kapcsolva, és amikor üresjárásban működik. Ez a teljes munkaidőszak viszonylatában jelentősen csökkentheti az expozíciós szintet.

A rezgés kockázatnak való kitettséget az alábbiakkal csökkentheti:


MINDIG éles vésőt, pengét, és hegyes fúrófejet használjon.

Az eszközt jelen utasításoknak megfelelően tartsa karban, és vigyázzon a megfelelő kenésre (ahol erre szükség van).

Ha rendszeresen használja az eszközt, vásároljon rezgéscsillapító tartozékokat.

Úgy tervezze meg a munkáját, hogy a magas rezgésszámú eszközök használatát igénylő feladatokat több napra ossza el.

# KÖRNYEZETVÉDELEM

 A leselejtezett elektromos készülékek nem dobhatók ki a háztartási hulladékkal. Ha van a közelben elektromos hulladék gyűjtő udvar, vigye oda a készüléket. Az újrahasonosítási lehetőségekről tájékozódjon a helyi hatóságoknál

vagy a kereskedőnél.

# MEGFELELŐSÉGI NYILATKOZAT

A gyártó,  
Positec Germany GmbH  
Postfach 32 02 16, 50796 Cologne, Germany

A Positec nevében kijelenti, hogy a termék  
Leírás **Akkus fűnyírógép**  
Típus **KC100 KC100.X (1-a készülék jelölése, azaz az Akkus fűnyírógép)**  
Rendeltetés **űnyírás és más hasonlóan puha növények nyírása, füves területek szélének a nyírása**

Megfelel a következő irányelveknek,  
**2006/42/EC**  
**2014/30/EU**  
**2011/65/EU&(EU)2015/863**  
**2000/14/EC módosítva 2005/88/EC**

2000/14/EC módosítva 2005/88/EC:  
- Megfelelőség-ellenőrző eljárás a **VI függelék értelmében**  
- Mért hangerő-szint **94.94 dB (A)**  
- Garantált hangerő-szint **96 dB (A)**

Tanúsítási szervezet  
**Név: Intertek Deutschland GmbH (tanúsítási szervezet 0905)**  
**Cím: Stangenstraße 1, 70771 LEINFELDEN-ECHTERDINGEN**

Az alábbi normáknak:  
**EN 62841-1, FprEN IEC 62841-4-4:2020+FprAA:2021-02, EN 62233, EN ISO 3744, EN IEC 55014-1, EN IEC 55014-2**

A műszaki dokumentáció összeállítására jogosult személy:

**Név: Marcel Filz**  
**Cím: Positec Germany GmbH**  
**Postfach 32 02 16, 50796 Cologne, Germany**



2022/12/5  
Allen Ding  
Helyettes főmérnöke, Tesztelés és minősítés  
Positec Technology (China) Co., Ltd  
18, Dongwang Road, Suzhou Industrial Park, Jiangsu 215123, P. R. China

# CUPRINS

Introducere.....	125
Listă de componente.....	126
Securitatea produsului.....	127
Montare și utilizare.....	132
Transport.....	135
Întreținere.....	135
Curățarea.....	136
Depozitare.....	137
Depanarea.....	137
Date tehnice.....	138
Rotecția mediului.....	139
Declarație de conformitate.....	139

RO

## INTRODUCERE

Stimate Client,

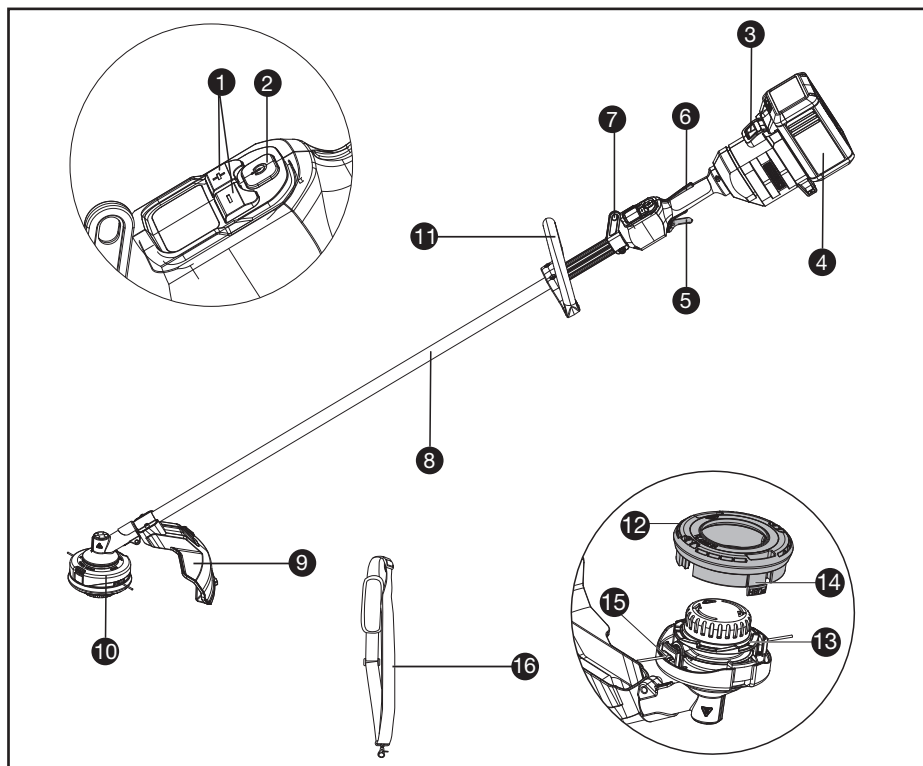
Vă mulțumim pentru achiziționarea acestui produs comercial Kress. Suntem dedicați dezvoltării de produse de înaltă calitate pentru a satisface cerințele dvs. cu privire la amenajarea spațiului comercial.

Marca Kress este sinonimă cu serviciile de calitate premium. Pe durata anilor de funcționare a produselor dvs., dacă aveți întrebări sau nelămuriri cu privire la produsul dvs., vă rugăm să contactați distribuitorul sau echipa noastră de asistență pentru clienți.

Suntem încrezători că vă veți bucura de folosirea produsului Kress pentru mulți ani de acum înainte.

## UTILIZARE CONFORM DESTINAȚIEI

Această mașină este destinată tăierii ierbii și a buruienilor înalte la care nu se poate ajunge cu o mașină de tuns iarba. Această mașină se utilizează, de asemenea, în zonele cu pante care nu permit tunderea.



## LISTA DE COMPONENTE

- |     |   |
|-----|---|
| 1.  | <b>CONTROLUL VITEZEI</b>                        |
| 2.  | <b>BUTON DE PORNIRE/OPRIRE</b>                  |
| 3.  | <b>BUTON DE ELIBERARE A ACUMULATORULUI</b>      |
| 4.  | <b>ACUMULATOR *</b>                             |
| 5.  | <b>BUTONUL DE ACCELERAȚIE</b>                   |
| 6.  | <b>COMUTATORUL DE PREZENȚĂ A UTILIZATORULUI</b> |
| 7.  | <b>SUPORT CUREA DE UMĂR</b>                     |
| 8.  | <b>ARBORE</b>                                   |
| 9.  | <b>PROTEȚIEI ÎMPOTRIVA RESTURILOR</b>           |
| 10. | <b>CAP DE REGLARE FINĂ</b>                      |
| 11. | <b>MÂNERULUI FRONTAL</b>                        |
| 12. | <b>CAPAC BOBINĂ</b>                             |
| 13. | <b>BOBINĂ</b>                                   |
| 14. | <b>OPRITOR ELIBERARE CAPAC</b>                  |
| 15. | <b>ORIFICIU</b>                                 |
| 16. | <b>CUREA DE UMĂR *</b>                          |

\* Nu toate accesoriile ilustrate sau descrise sunt incluse în livrarea standard.

# INSTRUCȚIUNI ORIGINALE SECURITATEA PRODUSULUI AVERTISMENTE GENERALE DE SIGURANȚĂ PENTRU UNELTE ELECTRICE

**⚠ ATENȚIONARE:** Citiți toate atenționările de siguranță și parcurgeți toate instrucțiunile, ilustrațiile și specificațiile atașate acestei scule electrice. Nerespectarea tuturor instrucțiunilor enumerate mai jos poate duce la electrocutare, incendii și/sau leziune corporală gravă. **Păstrați toate avertismentele și instrucțiunile pentru consultări ulterioare.**

Termenul „unealtă electrică” din avertismente se referă la o unealtă electrică alimentată de la rețeaua de energie electrică (prin cablu) sau la o unealtă electrică alimentată de la un acumulator (fără cablu).

## 1) Siguranța zonei de lucru

- a) **Mențineți zona de lucru curată și bine iluminată.** Zonele de lucru în dezordine și întunecoase favorizează accidentele.
- b) **Nu utilizați uneltele electrice în atmosfere explozive, de exemplu în prezența unor lichide, gaze sau pulberi inflamabile.** Uneltele electrice provoacă scântei ce pot aprinde pulberea sau vaporii.
- c) **Asigurați-vă că nu sunt în apropiere persoane și copii în timpul funcționării unei unelte electrice.** Distragerea atenției poate duce la pierderea controlului uneltei.

## 2) Siguranța electrică

- a) **Fișele uneltei electrice trebuie să se potrivească perfect în priză de alimentare. Nu modificați niciodată ștecherul. Nu folosiți niciun adaptor pentru uneltele electrice cu împământare.** Utilizarea ștecherelor nemodificate în prize corespunzătoare va reduce riscul electrocutării.
  - b) **Evitați contactul fizic cu suprafețe cu legătură la pământ, cum ar fi țevi, radiatoare, mașini de gătit sau frigider.** Riscul electrocutării este mai mare în cazul în care corpul dumneavoastră vine în contact cu suprafața împământată.
  - c) **Nu folosiți aparatul în condiții de ploaie sau de umezeală. Acest lucru poate crește riscul de electrocutare.** Odată udate în ploaie în timpul funcționării, mașina și bateria trebuie să fie uscate înainte de a fi depozitate sau încărcate. Scoateți bateria
- și reintroduceți-o dacă mașina nu reușește să pornească. Păstrați conexiunea acumulatorului fără murdărie și reziduuri și curățați acumulatorul cu o perie sau o cârpă moale și uscată.
- d) **Nu deteriorați cablul de alimentare. Nu folosiți niciodată cablul pentru transportarea, tragerea sau scoaterea din priză a uneltei electrice. Păstrați cablul de alimentare la distanță de căldură, ulei, margini ascuțite sau părți mobile.** Cablurile deteriorate sau încurcate măresc riscul electrocutării.
  - e) **Când utilizați unealta electrică în exterior, utilizați un prelungitor potrivit pentru utilizarea în exterior.** Utilizarea unui cablu potrivit pentru uzul în exterior reduce riscul electrocutării.
  - f) **Dacă utilizarea uneltei electrice într-un loc umed nu poate fi evitată, folosiți o alimentare protejată cu dispozitiv de curent rezidual (RCD).** Folosirea unui dispozitiv RCD reduce riscul electrocutării.
- ## 3) Siguranța personală
- a) **Fiți concentrat, urmăriți ceea ce faceți și dați dovadă de simț practic când folosiți o unealtă electrică. Nu folosiți o unealtă electrică dacă sunteți obosit sau sub influența drogurilor, a alcoolului sau a medicamentelor.** O clipă de neatenție în timpul funcționării uneltei electrice poate duce la accidentări personale grave.
  - b) **Folosiți echipament personal de protecție. Purtați întotdeauna ochelari de protecție.** Echipamentele de protecție precum masca de protecție contra prafului, încălțămintea cu talpă antiderapantă, casca sau protecția pentru urechi vor reduce riscul accidentărilor, utilizate în mod corespunzător.
  - c) **Preveniți punerea accidentală în funcțiune. Asigurați-vă că întrerupătorul se află în poziția de oprire înainte de a face conectarea la sursa de alimentare și/sau la acumulator, înainte de a ridica sau a transporta unealta.** Transportarea uneltelor electrice ținând degetul pe întrerupător sau alimentarea acestora cu întrerupătorul pornit poate duce la accidentări.
  - d) **Scoateți orice cheie de reglare sau cheie de piulițe înainte de a porni unealta electrică.** O cheie de piulițe sau o altă cheie rămasă prinsă de o componentă rotativă a uneltei poate duce la rănirea personală.
  - e) **Păstrați un echilibru corect. Mențineți-vă permanent echilibrul și sprijiniți-vă ferm pe picioare.** Acest lucru permite un control mai bun al uneltei electrice în situații neprevăzute.
  - f) **Îmbrăcați-vă corespunzător. Nu purtați îmbrăcăminte prea largă sau bijuterii. Țineți la distanță părul și hainele**

**dvs. de piesele în mișcare ale unelei electrice.** *Hainele prea largi, bijuteriile și părul lung se pot prinde în piesele mobile.*

**g) Dacă sunt furnizate accesoriile pentru conectarea unor dispozitive de aspirare și colectare a prafului, asigurați-vă că acestea sunt montate și folosite corect.** *Folosirea colectorului de praf poate reduce riscul accidentărilor din cauza prafului.*

**h) Nu lăsați ca odată cu familiarizarea dvs. cu utilizarea unelei să deveniți indolenți și să uitați respectarea principiilor de siguranță ale unelei electrice.** *Orice acțiune nesăbuită poate duce la leziuni corporale grave într-o fracțiune de secundă.*

**4) Utilizarea și întreținerea uneltelor electrice**

**a) Nu forțați unealta electrică. Folosiți unealta electrică potrivită pentru aplicație.** *Cu o unealtă electrică potrivită veți lucra mai bine și mai în siguranță, la viteza pentru care a fost concepută.*

**b) Nu utilizați unealta electrică dacă nu o puteți porni sau opri de la întrerupător.** *Orice unealtă electrică ce nu poate fi acționată de la întrerupător este periculoasă și trebuie reparată.*

**c) Deconectați ștecherul de la sursa de alimentare electrică și/sau scoateți acumulatorul detașabil din unealta electrică înainte de orice reglaj, schimbare de accesoriu sau de stocare a unelei.** *Astfel de măsuri de siguranță reduc riscul pornirii accidentale a unelei electrice.*

**d) Nu lăsați uneltele electrice la îndemâna copiilor și nu permiteți persoanelor ce nu știu să le manevreze și nu cunosc instrucțiunile să acționeze aceste unelte.** *Uneltele electrice sunt periculoase în mâinile utilizatorilor neinstruiți.*

**e) Întreținerea unelei electrice și ale accesoriilor aferente. Verificați posibila aliniere incorectă sau posibila blocare a componentelor mobile, deteriorarea componentelor sau orice alte situații care pot afecta funcționarea unelei electrice.** *Dacă unealta electrică este deteriorată, reparați-o înainte de utilizare. Multe accidente sunt provocate din cauza întreținerii incorecte a uneltelor.*

**f) Uneltele de tăiere trebuie menținute ascuțite și curate.** *Riscul blocării uneltelor de tăiere cu margini ascuțite întreținute corect este mai mic și acestea sunt mai ușor de controlat.*

**g) Utilizați unealta electrică, accesoriile, piesele etc. conform acestor instrucțiuni, luând în considerare condițiile de lucru și operația de**

**efectuat.** *Folosirea unelei electrice pentru operații diferite de cele pentru care a fost concepută poate duce la accidente.*

**h) Păstrați uscate, curate și fără urme de ulei sau grăsime mânerul și suprafețele de apucare ale unelei.** *Mânerul și suprafețele de apucare alunecează împiedică manipularea și controlul sigur al unelei tocmai în cele mai neașteptate situații.*

**5) Utilizarea și întreținerea uneltelor cu acumulatori**

**a) Efectuați reincărcarea numai cu încărcătorul specificat de producător.** *Un încărcător adecvat pentru un anumit tip de acumulator poate prezenta risc de incendiu dacă este utilizat cu alt tip de acumulator.*

**b) Folosiți mașinile electrice numai cu acumulatorii special destinați acestora.** *Utilizarea oricărui altor acumulatori poate prezenta risc de rănire și de incendiu.*

**c) Când nu folosiți acumulatorul, țineți-l la distanță de obiecte metalice precum agrafe de birou, monede, chei, cuie, șuruburi sau alte obiecte metalice mici, ce pot constitui o legătură între cele două borne.** *Un scurtcircuit al bornelor acumulatorului poate duce la arsuri sau incendiu.*

**d) În condiții necorespunzătoare de utilizare, se poate prelinge lichid din acumulator; evitați contactul. În caz de producere accidentală a contactului, clătiți bine cu apă.** *Dacă v-a intrat lichid în ochi, consultați imediat medicul. Lichidul expulzat din acumulator poate cauza iritații sau arsuri.*

**e) Nu utilizați acumulatorul sau scula dacă acestea sunt deteriorate sau modificate.** *Acumulatorii deteriorați sau modificate se pot comporta într-un mod imprevizibil, crescând riscul unui incendiu, unei explozii sau leziunilor corporale.*

**f) Evitați expunerea la foc și la temperaturi excesive a acumulatorului sau a sculei.** *Expunerea la foc sau la temperaturi care depășesc 130°C poate duce la explozie.*

**g) Respectați toate instrucțiunile de reincărcare și nu încărcați acumulatorul sau scula decât în plaja de temperaturi specificată în instrucțiuni.** *Reincărcarea necorespunzătoare sau la temperaturi din afara plajei de temperaturi specificate poate duce la deteriorarea acumulatorului și la creșterea riscului de incendiu.*

**6) Service**

**a) Service-ul unelei electrice trebuie efectuat de persoane calificate, folosind doar piese de schimb originale.** *Acest lucru va asigura folosirea în continuare a unelei electrice în siguranță.*



- b) Nu reparați niciodată acumulatorii deteriorați.** Service-ul acumulatorilor trebuie efectuat numai de către fabricant sau de centre de service autorizate.

## AVERTIZĂRI DE SIGURANȚĂ PENTRU MOTOCOASĂ ȘI FERĂSTRĂU PENTRU TUFEE

- a) Nu utilizați mașina în condiții meteorologice nefavorabile, în special atunci când există riscul de fulgere.** Acest lucru scade riscul de a fi lovit de fulger.
- b) Inspectați atent zona în care veți folosi mașina pentru a descoperi animalele sălbatice.** Animalele sălbatice pot fi vătămate în timpul folosirii mașinii.
- c) Inspectați atent zona în care va fi utilizată mașina și îndepărtați toate pietrele, bețele, cablurile, oasele și alte obiecte străine.** Obiectele aruncate de mașină pot cauza vătămări corporale.
- d) Înainte de a utiliza mașina, întotdeauna inspectați vizual pentru a constata dacă tăietorul, lama, sau ansamblul tăietorului sau al lamei sunt deteriorate.** Piesele deteriorate cresc riscul de vătămare.
- e) Urmați instrucțiunile pentru a schimba accesoriile.** Piulițele și bolțurile de siguranță ale lamei care nu sunt strânse corespunzător, pot să deterioreze lama sau să determine desprinderea ei.
- f) Viteza nominală a lamei trebuie să fie cel puțin egală cu viteza maximă marcată pe mașină.** Lamele care funcționează mai rapid decât viteza lor nominală se pot rupe și pot zbura.
- g) Purtați echipament de protecție pentru ochi, urechi și cap.** Echipamentul de protecție adecvat va reduce riscul de vătămări corporale cauzat de deșeuri aruncate de mașină sau de contact accidental cu firul de tăiere sau cu lama.
- h) În timpul operării mașinii, purtați întotdeauna încălțăminte de protecție. Nu operați mașina când sunteți desculț sau purtați sandale decupate.** Acest fapt reduce posibilitatea vătămării picioarelor prin contactul cu tăietorul, firul sau lama aflate în mișcare.
- i) În timpul operării mașinii, purtați întotdeauna pantaloni lungi.** Expunerea unor porțiuni de piele crește riscul vătămării corporale datorită obiectelor aruncate de mașină.
- j) Țineți trecătorii la distanță în timp ce operați mașina.** Deșeurile aruncate de aceasta pot determina vătămări corporale grave.
- k) Întotdeauna folosiți ambele mâini când operați mașina.** Prin operarea mașinii cu ambele mâini se va evita pierderea controlului.
- l) Prindeți mașina doar de suprafața izolată de prindere, deoarece firul de tăiere sau lama pot atinge cabluri ascunse.** Firele de tăiere sau lamele care ating un cablu aflat sub tensiune pot „energiza” părțile metalice expuse ale mașinii și i-ar putea electrocuta pe operator.
- m) Întotdeauna să aveți o poziție fermă și operați mașina doar stând în picioare pe sol.** Suprafețele alunecoase sau instabile pot determina pierderea echilibrului sau a controlului mașinii.
- n) Nu operați mașina pe pante excesiv de înclinate.** Astfel se reduce riscul de pierdere a controlului, alunecare și cădere, care ar putea conduce la vătămări corporale.
- o) Când lucrați pe pante, întotdeauna să fiți atent la poziția dvs, lucrați transversal pe suprafața pantei, niciodată să nu lucrați în sus sau în jos și fiți extrem de atent când schimbați direcția.** Astfel se reduce riscul de pierdere a controlului, alunecare și cădere, care ar putea conduce la vătămări corporale.
- p) Țineți toate părțile corpului la distanță de tăietor, fir sau lamă când mașina este în funcțiune. Înainte de a porni mașina asigurați-vă că tăietorul, firul sau lama nu intră în contact cu nimic.** Un moment de neatenție atunci când operați mașina poate conduce la vătămarea dvs sau a altora.
- q) Nu operați mașina deasupra înălțimii taliei.** Acest lucru ajută la prevenirea contactului accidental cu tăietorul sau lama și facilitează un control mai bun al mașinii în situații neprevăzute.
- r) Când tăiați tufișuri și arbuști care sunt tensionați, aveți grijă că aceștia se detensionează brusc.** Când tensiunea din fibra lemnoasă este eliberată, tufișul sau arbuștiul poate lovi operatorul și/sau poate scoate mașina de sub control.
- s) Folosiți prudență maximă când tăiați tufișuri și arbuști.** Ramurile flexibile ale acestora pot prinde lama și vă pot lovi sau dezzechilibra.
- t) Mențineți controlul mașinii și nu atingeți tăietoarele, firele de tăiere sau lamele și alte piese periculoase, mobile în timp ce acestea se află încă în mișcare.** Acest lucru reduce riscul de vătămare din cauza pieselor mobile.
- u) Cărați mașina cu întrerupătorul închis și țineți-o departe de corpul dvs.** Manipularea corectă a mașinii va reduce posibilitatea contactului accidental cu un tăietor, fir sau lamă aflate în mișcare.
- v) Când transportați sau depozitați mașina, întotdeauna să fixați capacul pe lamele de metal.** Manipularea corectă a mașinii va reduce posibilitatea contactului accidental cu lama.
- w) Folosiți ca piese de schimb doar**

## **tăietoarele, firele, capetele de tăiere și lamele specificate de producător.**

Piesele de schimb neadecvate pot crește riscul de deteriorare sau vătămare.

- x) Când scoateți materialul blocat sau reparați mașina, asigurați-vă că toate comutatoarele de alimentare sunt oprite și că acumulatorul este scos.**

Pornirea neașteptată a mașinii în timp ce curățați materialul blocat sau o reparați poate duce la vătămări corporale grave.

## **CAUZELE ARUNCĂRII LAMEI ȘI AVERTIZĂRI AFERENTE**

Aruncarea lamei este o mișcare bruscă a mașinii în lateral, înainte sau înapoi, care poate apărea atunci când lama se blochează sau se prinde de un obiect, cum ar fi un arbore sau un ciot de copac. Aceasta poate fi suficient de violentă pentru ca mașina și/sau utilizatorul să fie împins în orice direcție și, eventual, să piardă controlul mașinii.

Aruncarea lamei și pericolele aferente pot fi evitate prin luarea măsurilor de precauție adecvate, după cum se arată mai jos.

- a) Păstrați o prindere fermă cu ambele mâini pe mașină și poziționați-vă brațele pentru a rezista aruncării lamei. Poziționați-vă corpul în partea stângă a mașinii. Aruncarea lamei poate crește riscul de rănire din cauza mișcării neașteptate a mașinii.** *Aruncarea lamei poate fi controlată de către utilizator dacă se iau măsurile de precauție adecvate.*
- b) Dacă lama se blochează sau când între rupeți o tăiere din orice motiv, opriți mașina și țineți-o nemișcată în material până când lama se oprește complet. Când lama se blochează, nu încercați niciodată să scoateți mașina din material sau să trageți mașina înapoi în timp ce lama este în mișcare, altfel se poate produce o aruncare a lamei. *Analizați și luați măsuri adecvate de corecție pentru a elimina cauza blocării lamei.***
- c) Nu folosiți lame tocite sau deteriorate.** *Lamele tocite sau deteriorate cresc riscul de blocare sau de prindere de un obiect, ceea ce duce la aruncarea lamei.*
- d) Păstrați întotdeauna o bună vizibilitate a materialului care se taie.** *Este mai probabil ca aruncarea lamei să apară în zonele în care este dificil de văzut materialul tăiat.*
- e) Dacă sunteți abordat de o altă persoană în timp ce folosiți mașina, opriți mașina.** *Există un risc crescut de rănire a altor persoane care sunt lovite de lama în mișcare în cazul aruncării lamei.*

## **AVERTISMENTE PRIVIND SIGURANȚA PENTRU ACUMULATOR**

- a) Nu demontați, deschideți sau rupeți elementele sau acumulatorul.**
- b) Nu scurtcircuitați un acumulator. Nu depozitați acumulatorii la întâmplare într-o cutie sau într-un sertar unde s-ar putea scurtcircuita între ele sau prin materiale conductoare. Când bateria nu este în uz, țineți-o la distanță de alte obiecte metalice, cum sunt agrafele pentru hârtie, monede, cuie, șuruburi sau alte obiecte metalice mici, care pot crea contact între bornele acestora. Scurtcircuitarea bornelor bateriei poate cauza arsuri sau incendii.**
- c) Nu expuneți acumulatorul la căldură sau foc. Evitați depozitarea în lumina directă a soarelui.**
- d) Nu supuneți acumulatorul la șocuri mecanice.**
- e) În cazul scurgerii acumulatorului, aveți grijă ca lichidul să nu intre în contact cu pielea sau ochii. În cazul contactului, spălați zona afectată cu apă din belșug și solicitați asistență medicală.**
- f) Mențineți acumulatorul curat și uscat.**
- g) Ștergeți terminalele acumulatorului cu o cârpă curată și uscată dacă se murdăresc.**
- h) Acumulatorul trebuie încărcat înainte de utilizare. Consultați întotdeauna aceste instrucțiuni și utilizați procedura de încărcare corectă.**
- i) Nu încărcați acumulatorul atunci când nu îl utilizați.**
- j) După perioade extinse de depozitare, ar putea fi necesară încărcarea și descărcarea acumulatorului de mai multe ori pentru a obține performanțe maxime.**
- k) Reîncărcați folosind doar încărcătorul specificat de Kress. Nu utilizați niciun alt încărcător în afară de cel conceput specific pentru utilizarea cu acest echipament.**
- l) Nu utilizați acumulatorii care nu sunt concepuți pentru a fi utilizați cu acest echipament.**
- m) Nu lăsați acumulatorul la îndemâna copiilor.**
- n) Păstrați documentația originală a produsului pentru consultări ulterioare.**
- o) Îndepărtați acumulatorul din echipament atunci când nu îl utilizați.**
- p) Eliminați acumulatorul în mod corespunzător.**
- q) Nu introduceți în aparat acumulatorii**




care provin de la producători diferiți sau cu capacități, dimensiuni sau tipuri diferite.











r) Țineți acumulatorul departe de microunde și presiune ridicată.



## CERINȚELE MANUALULUI DE UTILIZARE PENTRU PRODUSE CU ACUMULATOR

- a) Utilizarea acestui dispozitiv este supusă următoarelor două condiții:  
(1) Acest dispozitiv nu poate cauza interferențe dăunătoare, și  
(2) acest dispozitiv trebuie să accepte orice interferențe primite, inclusiv interferențe care pot provoca o funcționare nedorită.
- b) Atenție: Schimbările sau modificările aduse acestei unități, care nu sunt aprobate explicit de partea responsabilă cu conformitatea, pot anula dreptul utilizatorului de a utiliza echipamentul.
- c) NOTĂ: Acest echipament generează, utilizează și poate radia energie de frecvență radio și, dacă nu este instalat și folosit conform instrucțiunilor, poate produce interferențe periculoase pentru comunicațiile radio. Totuși, nu există nicio garanție că nu vor apărea interferențe în anumite instalații. Dacă acest echipament nu produce interferențe periculoase pentru recepția radio-TV, care se pot identifica prin pornirea și oprirea echipamentului, utilizatorul este încurajat să încerce să corecteze interferențele printr-una sau mai multe măsuri de mai jos:
- Reorientați sau reamplasați antena de recepție.
  - Creșteți distanța dintre echipament și receptor.
  - Conectați echipamentul la o priză de pe alt circuit față de cel la care este conectat receptorul.
  - Consultați reprezentanța sau un specialist radio/TV experimentat pentru ajutor.


## SIMBOLURI

	Pentru a reduce riscul de accidentări, utilizatorul trebuie să citească manualul de instrucțiuni.
	Purtați protecție pentru ochi, urechi și cap
	Purtați încălțăminte antiderapantă

	AVERTISMENT - Distanța dintre mașină și trecători trebuie să fie de minim 15m (50 ft)"
	AVERTISMENT - Fiți atent la obiectele aruncate de mașină.
	AVERTISMENT - Aveți grijă la tracțiunea lamei
	Nu utilizați lame de metal.
	AVERTISMENT - Deconectați bateria înainte de întreținere.
	Aveți grijă la tracțiunea lamei
	RO Produsele electrice nu trebuie depuse la deșeurile împreună cu gunoiul menajer. Vă rugăm să depuneți produsele electrice la unitățile de reciclare existente. Consultați-vă cu autoritățile locale sau cu distribuitorul pentru sfaturi privind reciclarea.
	Baterie Li-Ion. Acest produs a fost marcat cu simbolul referitor la 'colectarea separată' a tuturor blocurilor de baterii și a carcasei de baterie. Acestea vor fi apoi reciclate sau demontate pentru a se reduce impactul asupra mediului. Blocurile de baterii pot fi periculoase pentru mediu și sănătatea umană pentru că ele conțin substanțe periculoase.
	Nu ardeți
	Bateriile pot intra în circuitul apei, dacă sunt lichidate incorect, fapt ce poate fi periculos pentru ecosistem. Nu lichidați deșeurile de baterii la fel ca deșeurile comunale nesortate.

	Asigurați-vă că acumulatorul este scos înainte schimbării accesoriilor.
	Tundere

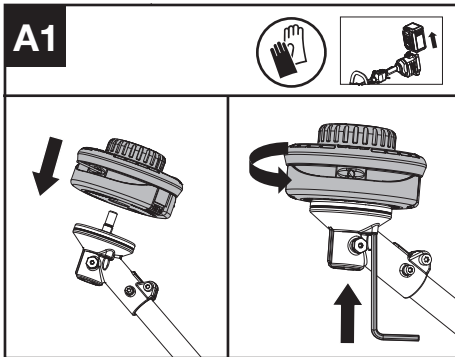
## ASAMBLARE ȘI OPERARE

 **NOTĂ:** Înainte de utilizarea sculei, citiți manualul de instrucțiuni cu atenție.

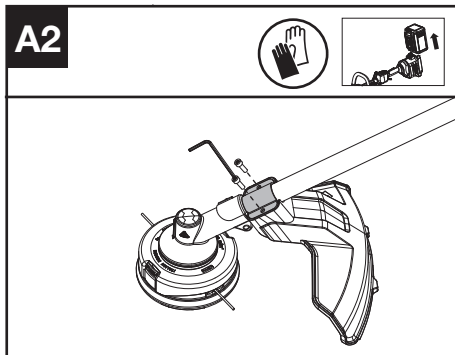
 **ÎNAINTE DE A UTILIZA:**

**Montați capul de tăiere. (a se vedea Fig. A1)**

Montați capul de tăiere. Introduceți cheia hexagonală în locaș și rotiți capul motocoasei până când se oprește în poziția de blocare.



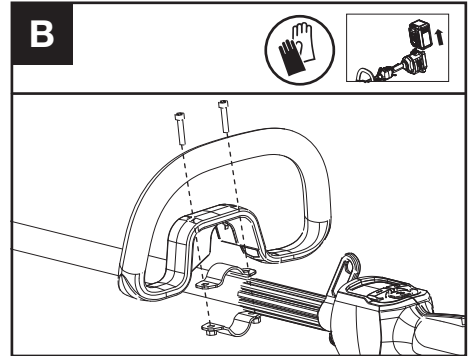
**Montarea protecției împotriva resturilor (a se vedea Fig. A2)**




1. Instalați protecția împotriva resturilor corectă pentru capul de tăiere.

2. Fixați protecția pe poziție cu ajutorul șurubului și al cheii hexagonale.

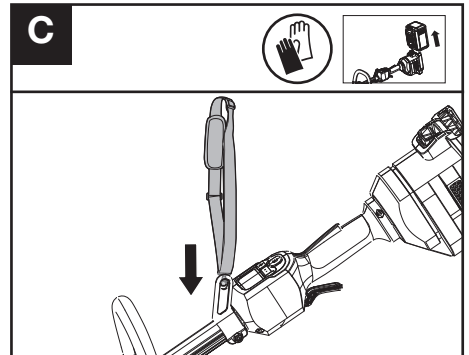
**Montarea mânerului frontal (a se vedea Fig. B)**



1. Atașați mânerul frontal și clema inferioară pe ax.  
2. Puneți șurubul prin găuri.  
3. Strângeți mânerul frontal.

 **AVERTISMENT: Reglați mânerul frontal după cum doriți, astfel încât să vă asigurați că brațul din față este drept atunci când utilizați motocoasa.**

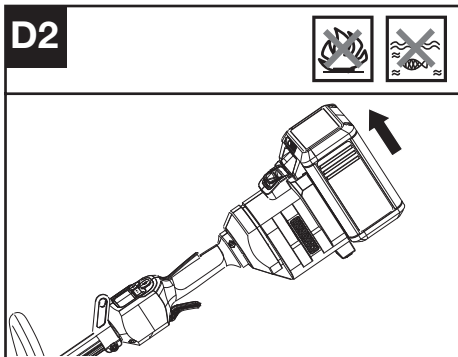
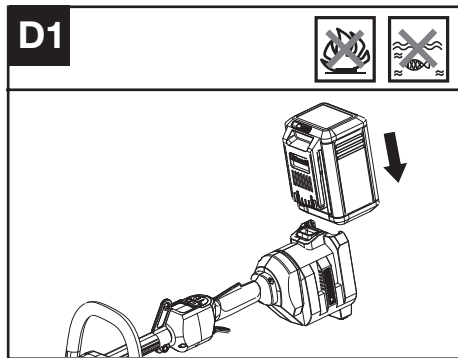
**Asamblarea curelei de umăr (Se vinde separat) (Vezi Figura. C)**



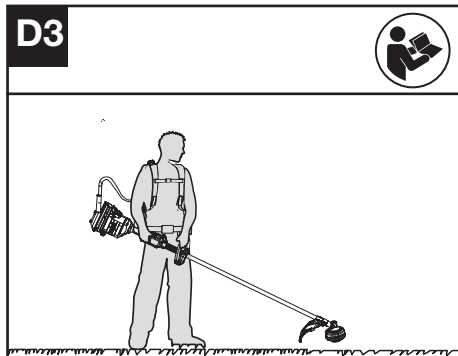
1. Reglați lungimea curelei de umăr.  
2. Cuplați carabina curelei de umăr la cârligul de pe axul motocoasei.

**Pentru A Demonta Sau Monta Acumulatorul (Vezi Figura. D1, D2)**

1. Introduceți acumulatorul în compartimentul acestuia.  
2. Apăsăți butonul de eliberare a acumulatorului pentru eliberarea acumulatorului din unealtă.



**Conectarea cu hamul pentru spate (a se vedea Fig. D3)**



Motocoasa poate fi conectată cu un ham accesoriu pentru spate (nu este furnizat). Consultați manualul hamului pentru spate pentru mai multe informații.

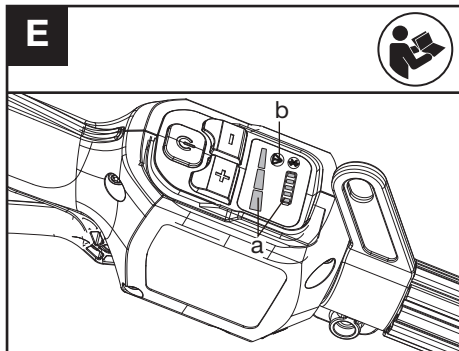
**TESTAREA MOTOCOASEI ȘI A BATERIEI (A SE VEDEA FIG. E)**

**Verificarea comenzilor Comutatorul de prezență a utilizatorului și butonul de accelerație**

1. Scoateți acumulatorul.
2. Încercați să apăsați butonul de accelerație. Dacă

butonul de accelerație poate fi apăsat fără a acționa comutatorul de prezență a utilizatorului, înseamnă că comutatorul de prezență a utilizatorului este defect. Nu mai utilizați motocoasa și contactați agentul de service.

4. Mai întâi apăsați și țineți apăsat comutatorul de prezență a utilizatorului, apoi apăsați butonul de accelerație.
5. Eliberați butonul de accelerație și comutatorul de prezență a utilizatorului. Dacă butonul de accelerație sau comutatorul de prezență a utilizatorului se blochează și nu poate reveni la poziția inițială. nu mai utilizați motocoasa și contactați agentul de service.



**Verificarea afișajului**

1. Introduceți bateria.
2. Apăsați și țineți apăsat comutatorul de pornire/oprire. Echipamentul este pornit atunci când LED-ul (a) este aprins. Echipamentul este oprit atunci când LED-ul (a) este stins.
3. Apăsați mai întâi comutatorul de prezență a utilizatorului, apoi apăsați butonul de accelerație pentru a porni mașina. Capul motocoasei se rotește.
4. În cazul în care indicatorul de avertizare (b) se aprinde sau clipește, consultați secțiunea Depanarea.
5. Eliberați butonul de accelerație. Capul motocoasei se oprește din mișcare după o scurtă întârziere. Dacă capul motocoasei continuă să se rotească, scoateți bateria și contactați agentul de service.

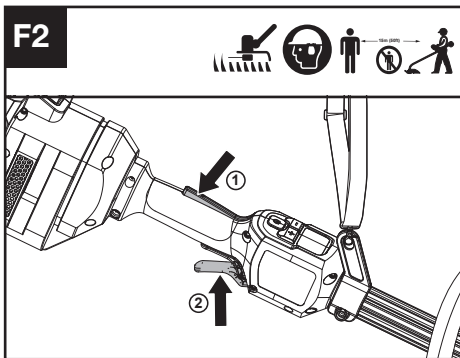
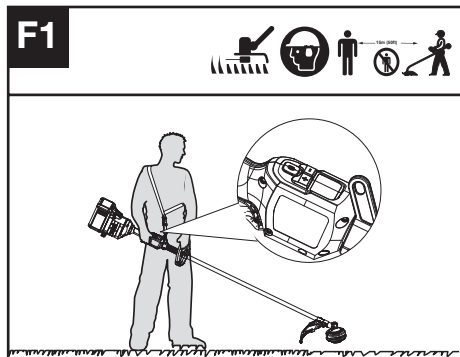
**FUNCȚIONAREA:**

**Pornirea motocoasei (a se vedea Fig. F1, F2)**

1. Țineți ferm motocoasa cu mâna dreaptă pe mânerul de control - puneți degetul mare peste mâner. Țineți ferm motocoasa cu mâna stângă pe mânerul auxiliar - puneți degetul mare peste mâner.
2. Apăsați și țineți apăsat întrerupătorul de pornire/oprire până când LED-ul verde este aprins. LED-ul verde indică nivelul de putere.
3. Apăsați mai întâi comutatorul de prezență a

utilizatorului, apoi apăsați butonul de accelerație pentru a porni mașina. LED-ul verde pentru pornire/oprire se stinge după 5 secunde dacă nu este utilizat ca procedură de siguranță. Atunci când nu tăiați, unitatea rămâne pornită dacă comutatorul de prezență a utilizatorului este ținut apăsat fără a acționa mașina. Dacă LED-ul verde se stinge, echipamentul trebuie repornit.

**OBSERVAȚIE:** Comutatorul de prezență a utilizatorului este proiectat pentru a preveni funcționarea accidentală. Când apăsați comutatorul de prezență a utilizatorului, acesta eliberează butonul de accelerație.



### Selectarea vitezei

În funcție de utilizare, pot fi reglate 3 niveluri de putere. Folosiți butonul +/- pentru a controla viteza. LED-urile indică nivelul de viteză selectat. Cu cât nivelul de putere este mai mare, cu atât mai repede poate funcționa dispozitivul de tăiere.

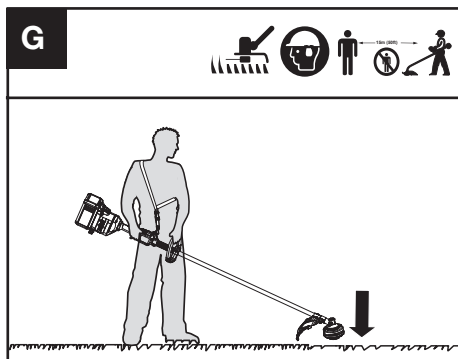
### Oprirea motocoasei

Eliberați butonul de accelerație pentru a opri mașina.

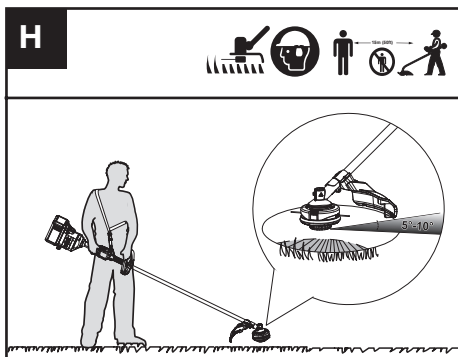
**AVERTISMENT!** Capul de tăiere continuă să se rotească după ce mașina de tuns a fost oprită, așteptați până când se oprește apoi lăsați jos aparatul.

## Sistem de alimentare a liniei de protecție (Vezi Figura. G)

Trimmerul este echipat cu un sistem de linie tampon. Ori de câte ori atingeți capul tăietorului în timp ce utilajul funcționează, noua linie este emisă.



## Sfaturi de tăiere (Vezi Figura. H)



1. Rotiți mașina de tuns dintr-o parte în alta peste zona de tăiat.
2. Folosiți vârful firului de tăiere pentru a tunde; nu forțați capul mașinii de tuns în iarbă netăiată.
3. Gardurile de sârmă și de pichet pot cauza uzura suplimentară a firului de tăiere și rupere. Pereții din piatră și cărămidă, bordurile și lemnul pot uza rapid firul de tăiere.
4. Evitați copacii și arbuștii. Coaja de copac, mulajele din lemn, pardoselile și stâlpii de gard pot fi ușor avariate de firul de tăiere.
5. Nivelul de putere selectat influențează durata de funcționare a bateriei. Cu cât nivelul de putere este mai mic, cu atât durata de funcționare este mai mare. Se recomandă să utilizați cel mai mic nivel de putere, cu excepția cazului în care lucrăți în condiții de tăiere mai dificile.

## Conșiderații privind uneltele alimentate cu acumulator

Intervalul de temperatură ambiantă recomandat pentru descărcare este -20°C~45°C(-4°F~113°F).  
Plaja de temperatură ambiantală recomandată

pentru reîncărcare este cuprinsă între -5°C~45°C (23°F~113°F).

## TRANSPORTUL

### Transportul motocoasei

1. Oprii motocoasa și scoateți bateria.
2. Când transportați motocoasa cu mâna, țineți de mijlocul axului, cu capul de tăiere îndreptat spre spate, pentru a vă asigura că mașina este paralelă cu solul.
3. Când transportați motocoasa într-un vehicul, fixați-o și poziționați-o pentru a preveni rotirea sau avarierea.

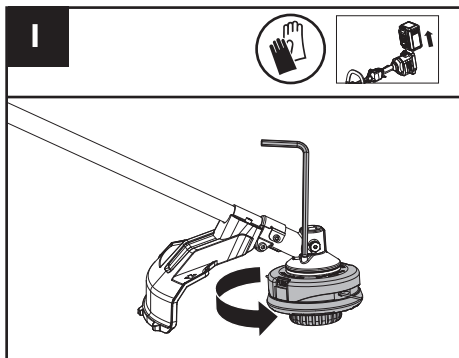
### Transportul bateriei


1. Asigurați-vă că bateria se află într-o stare bună.
2. Folosiți un ambalaj izolator de curent atunci când transportați bateria.
3. Bateriile Li-Ion închise fac obiectul cerințelor legislației privind mărfurile periculoase. Transportați bateriile numai atunci când carcasa lor nu este deteriorată. Ambalați bateriile astfel încât acestea să nu se poată mișca în ambalaj.


## ÎNTREȚINEREA

 **Scoateți întotdeauna acumulatorul din motocositoare după utilizare.**

**Înlocuirea capului motocoasei (a se vedea Fig. I)**



 **AVERTISMENT! Folosirea sârmei sau a firului armat cu metal nu este permisă și poate fi extrem de periculoasă. Folosiți numai firul de tăiere recomandat în acest manual, în combinație cu protecția recomandată împotriva resturilor.**

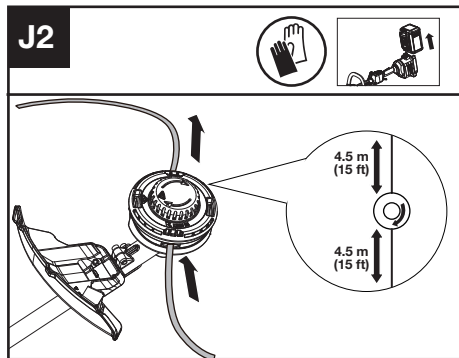
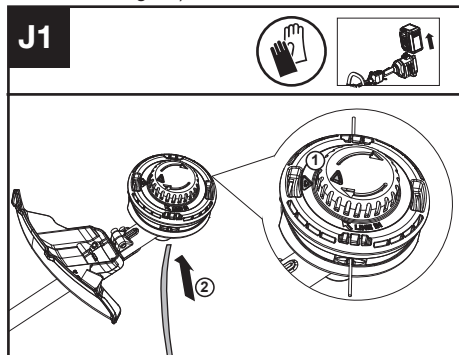
 **AVERTISMENT! Un accesoriu de tăiere deteriorat sau slăbit poate vibra, se poate crăpa, rupe sau se poate desprinde de pe motocoasă, ceea ce poate duce la vătămări grave sau mortale sau la**

**daune materiale. Asigurați-vă că capul motocoasei este bine strâns și în stare bună înainte de a începe lucrul.**

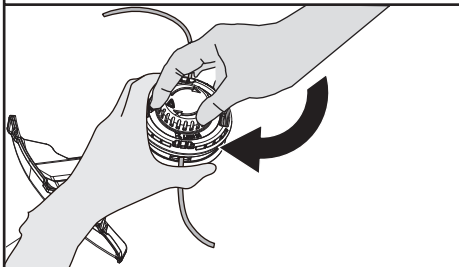
1. Introduceți cheia hexagonală în locaș și rotiți capul motocoasei până când se oprește în poziția de blocare.
2. Apoi, rotiți-l în sensul acelor de ceasornic pentru a-l scoate și în sens invers acelor de ceasornic pentru a-l asambla.

### Trimmer de înfășurare (See Fig. J1, J2, J3)

1. Rotiți capacul bobinei pentru a face ca cele două pictograme triunghiulare să fie aliniate. (A se vedea Fig. J1)
2. Introduceți firul de rezervă prin ochiul (Line In) și scoateți-l prin celălalt ochi. Asigurați-vă că ambele capete ale firului sunt egale la fiecare capăt al capului motocoasei (recomandat 4.5 m (15 ft)) și tăiați firul. (A se vedea Fig. J2)
3. Rotiți cadranul în sensul acelor de ceasornic pentru a înfășura firul în jurul bobinei până când rămân aproximativ 16 cm (6") pe fiecare parte. (A se vedea Fig. J3)

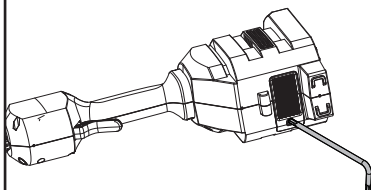
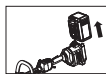
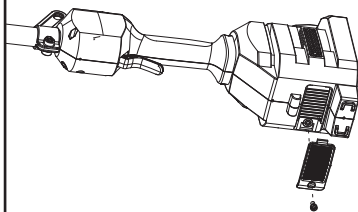


RO

**J3**

### Curățarea filtrului de aer (a se vedea Fig. L1, L2)

1. Curățați zona din jurul filtrului de aer. Utilizați o cârpă umedă sau o perie moale.
2. Deșurubați și scoateți filtrul de aer.
3. Spălați filtrul de aer sub jet de apă pentru a îndepărta murdăria.
4. Lăsați filtrul de aer să se usuce la aer. Instalați-l la loc în carcasă strângând șurubul.

**L1****L2**

### Intervale de întreținere

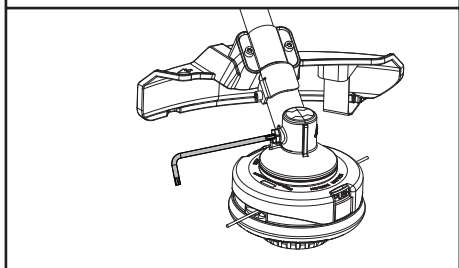
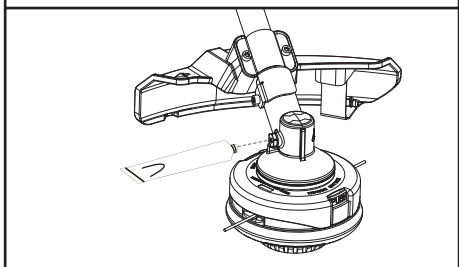
Se recomandă să ungeți transmisia și să curățați filtrul de aer la fiecare 50 de ore de funcționare, pe baza utilizării reale.

## CURĂȚAREA

1. Opriti motocoasa și scoateți bateria.
2. Nu utilizați detergenți sau solvenți agresivi. Curățați mașina după utilizare cu o cârpă umedă înmuiată în detergent neutru.
3. Păstrați ștecărul fără materii străine și curățați-l cu o perie sau o cârpă moale și uscată.
4. Nu pulverizați apă pe motor și pe componentele electrice.
5. Nu utilizați mașina de spălat cu presiune pentru a vă curăța mașina.

### Ungerea transmisiei (a se vedea Fig. K1, K2)

1. Îndepărtați șurubul de pe transmisie.
2. Dacă nu există unsoare pentru angrenaje conice la capătul șurubului, aplicați 5 g de unsoare (SHELL Gadus S2 V220 1) pentru angrenaje în cutia transmisiei.
3. Montați din nou și strângeți bine șurubul.
4. Instalați bateria și puneți în funcțiune mașina timp de 1 minut pentru a vă asigura că transmisia este unsă uniform.

**K1****K2**



# DEPOZITAREA

1. Scoateți acumulatorul din mașina de tuns înainte de depozitare.
2. Odată udate în ploaie în timpul funcționării, mașina și bateria trebuie să fie uscate înainte de a fi depozitate sau încărcate. Scoateți bateria și reintroduceți-o dacă mașina nu reușește să pornească.
3. Depozitați mașina de tuns într-un loc uscat și sigur, inaccesibil copiilor și altor persoane neautorizate. Scoateți accesoriul de tăiere dacă acesta nu va fi utilizat pentru o perioadă lungă de timp.
4. Depozitați bateria numai într-un interval de temperatură cuprins între 5 °C (41 °F) și 25 °C (77 °F). Ca exemplu, nu lăsați bateria în mașină pe timp de vară.

# DETECTAREA DEFECȚIUNILOR

Următorul tabel prezintă simptomele defecțiunilor, cauzele posibile precum și soluția corectă de remediere a acestora, dacă vreodată scula dumneavoastră electrică de grădină nu funcționează impecabil.



**ATENȚIE:** Înainte de a trece la detectarea defecțiunilor, opriți scula electrică de grădină și extrageți acumulatorul din aceasta.

## MOTOCOASĂ


Probleme	Cauze posibile	Acțiune corectivă
LED-ul indicator al bateriei clipește	Tensiune scăzută a bateriei.	Încărcați acumulatorul.
LED-ul roșu de eroare clipește	Suprasarcină.	Accesoriul de tăiere este blocat Dezactivați echipamentul. Scoateți acumulatorul. Curățați accesoriul de tăiere de materiale nedorite.
	Problemă de temperatură.	Lăsați aparatul să se răcească
	Butonul de accelerație și butonul de pornire/oprire sunt apăsată în același timp.	Eliberați butonul de accelerație. Efectuați din nou secvența de pornire.
	Alte probleme	Contactați agentul de service.
Aparatul nu pornește	Murdărie pe contactele bateriei.	Curățați conectorii bateriei cu aer comprimat sau cu o perie moale.
	Alte probleme	Contactați agentul de service.
Motocoasa funcționează cu întreruperi.	Bateria nu este montată corect pe echipament.	Introduceți corect bateria.
	Posibilă problemă electrică.	Contactați agentul de service.
Vibrații/zgomote excesive.	Problemă de echilibrare a firului.	Înfășurați firul la loc.
	Problemă la dispozitivul de tăiere. Mașina este defectă.	Înlocuiți dispozitivul de tăiere. Contactați agentul de service.

## BATERIA

Probleme	Cauze posibile	Acțiune corectivă
LED-ul de eroare este aprins	Bateria este descărcată	Încărcați acumulatorul. Dacă bateria nu se încarcă, contactați agentul de service.
	Problemă de temperatură.	Utilizați bateria în medii în care temperaturile sunt cuprinse între -5°C și 45°C (23°F și 113°F) pentru încărcare; -20°C și 45°C (-4°F și 113°F) pentru descărcare.
	Altele	Contactați agentul de service.

# DATE TEHNICE

Tip: **KC100 KC100.X (1-denumirea echipamentului, reprezentând Mașina de tuns iarbă fără fir)**

	<b>KC100 KC100.X **</b>
Tensiune	60 V  MAX ***
Viteza de tăiere	4200 / 5100 / 5900 rpm
Diametrul de tăiere	42 cm (16.5")
Diametru linie	2.4 / 2.7 mm (0.095" / 0.105") linie de nailon
Grad de protecție	IPX4
Greutate(Instrument scump)	4.5 kg (9.9 lbs)

\*\* X = 1-999, A-Z, M1-M9 sunt destinate doar clienților diferiți, nu există modificări legate de siguranță între aceste modele.

\*\*\* Tensiune măsurată în gol. Tensiunea inițială a acumulatorului atinge maximum 60 volți. Tensiunea nominală este de 54 volți.

## BATERII ȘI ÎNCĂRCĂTOARE SUGERATE

<b>Acumulator</b>	<b>Capacitate</b>	<b>Încărcător</b>	<b>Amperage</b>
KAC804	4.0 Ah	KAC840	30 A
KAC810 (Cu hamul pentru spate)	11.0 Ah		

RO

Recomandăm să achiziționați accesoriile de la același reprezentant de unde ați achiziționat aparatul. Consultați ambalajul accesoriilor pentru detalii suplimentare. Reprezentantul dvs. vă poate ajuta cu recomandări.

## DATE TEHNICE PENTRU ACUMULATOR (OPȚIONAL)

Benzi de frecvență pentru bluetooth	2400-2483.5 MHz
Putere transmisă, maximă pentru bluetooth	8 dBm

## COMBINAȚII DE ACCESORII DE TĂIERE, DEFLECTOARE ȘI SISTEME DE TRANSPORT

<b>Accesoriu pentru tăiere</b>	<b>Protecția împotriva resturilor</b>	<b>Bara de protecția</b>	<b>Sistemul de transport</b>
- Cap de tăiere de 4" (opțional, nu este inclus) - Cap de tăiere de 5"	- Deflector de mare vizibilitate - Deflector universal cu prelungire	- Opțional	- Curea de umăr - Ham de spate pentru baterie
- Lamă de cuțit	- Deflector universal fără prelungire	- Necesară	

# INFORMAȚII PRIVIND ZGOMOTUL

Presiune sonoră ponderată A  $L_{pA} = 79.7 \text{ dB(A)}$

$K_{pA}$  3 dB(A)

Putere sonoră ponderată A  $L_{wA} = 94.94 \text{ dB(A)}$

$K_{wA}$  0.59 dB(A)

**Purtați echipament de protecție pentru urechi.**



# INFORMAȚII PRIVIND VIBRAȚIILE

Vibrație ponderată tipică  $a_n = 2,45 \text{ m/s}^2$

Marjă de eroare  $K = 3 \text{ m/s}^2$

**AVERTISMENT:** Valoarea emisiilor de vibrații în timpul utilizării efective a unelei electrice poate diferi de valoarea nivelului declarat, în funcție de modul în care unealta este utilizată, în funcție de următoarele exemple și alte variații privind utilizarea unelei: Modul în care este utilizată unealta și materialele tăiate sau găurite.

Unealta să fie într-o stare bună și întreținută corespunzător.

Utilizarea accesoriului corect pentru unealtă, fiind ascuțit și în bună stare de funcționare.

Strângerea cu fermitate a mânerelor și utilizarea oricăror accesorii anti-vibrații.

Iar unealta este utilizată conform destinației de utilizare și acestor instrucțiuni.

**Această unealtă poate cauza sindromul vibrației mâinii-brațului dacă nu este utilizată corespunzător.**

**AVERTISMENT:** Pentru precizie, o estimare a nivelului de expunere în condițiile de utilizare reale trebuie de asemenea să țină cont de toate componentele ciclului de operare, precum momentele când unealta este oprită și când merge în gol, dar nu efectuează operația propriu-zisă. Acest lucru ar putea reduce semnificativ nivelul de expunere pe durata totală de lucru.


Ajută la reducerea riscului de expunere la vibrații. Utilizați ÎNTOTDEAUNA dălți, burghie și lame ascuțite.

Întrețineți unealta în conformitate cu aceste instrucțiuni și mențineți-o bine lubrifiată (dacă este cazul).

Dacă unealta va fi utilizată în mod regulat, investiți în accesorii anti-vibrații.

Planificați-vă lucrul pentru a desfășura utilizarea uneltelor cu nivel ridicat de vibrații de-a lungul mai multor zile.

# PROTECȚIA MEDIULUI ÎNCONJURĂTOR

 Deșeurile produselor electrice nu se vor arunca împreună cu deșeurile menajere. Reciclați acolo unde există instalații de reciclare. Consultați autoritățile locale sau vânzătorul pentru recomandări privind reciclarea.

# DECLARAȚIE DE CONFORMITATE

Noi,  
Positec Germany GmbH  
Postfach 32 02 16, 50796 Cologne, Germany

În numele Positec declarăm că produsul  
Descriere **Mașină de tuns iarbă fără fir**  
Tip **KC100 KC100.X (1-denumirea echipamentului, reprezentând Mașina de tuns iarbă fără fir)**  
Funcție **cosirea ierbii și a vegetației moi similare și pentru tunderea marginilor suprafețelor ierboase**

Este conform cu următoarele Directive,  
**2006/42/EC, 2014/30/EU**  
**2011/65/EU&(EU)2015/863**  
**2000/14/EC modificată prin 2005/88/EC**

2000/14/EC modificată prin 2005/88/EC:  
- Procedură de evaluare a conformității conformă cu **Anexa VI**  
- Nivel de putere sonoră măsurat **94.94 dB (A)**  
- Nivel de putere sonoră garantat declarat **96 dB (A)**

Organismul notificat implicat  
**Num: Intertek Deutschland GmbH**  
**(organism notificat 0905)**  
**Adresa: : Stangenstraße 1, 70771 LEINFELDEN-ECHTERDINGEN**

Standardele sunt conforme cu,  
**EN 62841-1, FprEN IEC**  
**62841-4-4:2020+FprAA:2021-02, EN 62233,**  
**EN ISO 3744, EN IEC 55014-1, EN IEC**  
**55014-2,**

Persoana autorizată să compileze fișierul tehnic,  
**Denumire Marcel Filz**  
**Adresă Positec Germany GmbH**  
**Postfach 32 02 16, 50796 Cologne,**  
**Germany**



2022/12/5  
Allen Ding  
Adjunct Inginer șef, Testare și certificare  
Positec Technology (China) Co., Ltd  
18, Dongwang Road, Suzhou Industrial  
Park, Jiangsu 215123, P. R. China

RO

# SPIS TREŚCI

Wprowadzenie.....	140
Listakomponentów.....	141
Bezpieczeństwo produktu.....	142
Montaż i obsługa.....	147
Transport.....	150
Konserwacja.....	150
Czyszczenie.....	152
Sk adowanie.....	152
Rozwiązywanie problemów.....	152
Dane techniczne.....	153
Ochrona środowiska.....	154
Deklaracja zgodności.....	154

## WPROWADZENIE

Drogi kliencie,

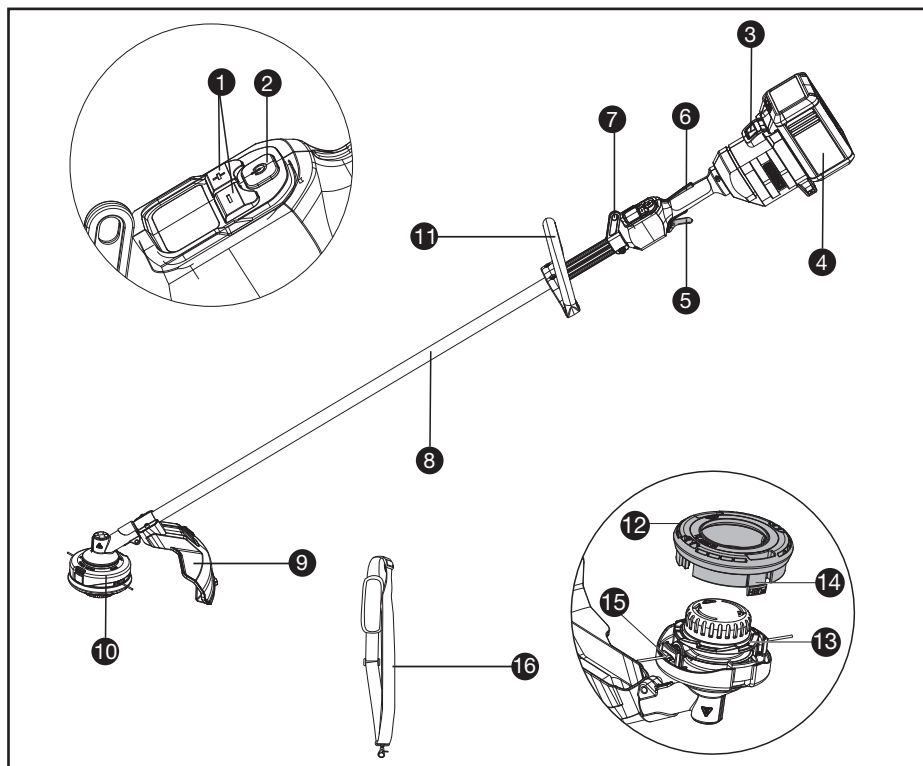
Dziękujemy za zakup produktu Kress Commercial. Jesteśmy zaangażowani w rozwój wysokiej jakości produktów, aby spełnić Państwa wymagania dotyczące komercyjnej architektury krajobrazu.

Marka Kress jest synonimem najwyższej jakości usług. Przez lata eksploatacji produktu, w razie jakichkolwiek pytań lub wątpliwości jego dotyczących, prosimy o kontakt ze sprzedawcą lub naszym Działem Obsługi Klienta w celu uzyskania pomocy.

Jesteśmy przekonani, że będą Państwo cieszyć się pracą z produktem Kress przez wiele lat.

## UŻYCIE ZGODNE Z PRZEZNACZENIEM

Maszyna jest przeznaczona do strzyżenia trawy i wysokich chwastów, których nie można osiągnąć kosiarką. Maszyna jest używana także w miejscach o pochyłościach niesprzyjających koszeniu.



## LISTA KOMPONENTÓW

- |     |                                 |
|-----|---------------------------------|
| 1.  | REGULATOR PRĘDKOŚCI             |
| 2.  | WŁĄCZNIK/WYŁĄCZNIK              |
| 3.  | ZATRZASK POJEMNIKA BATERYJNEGO  |
| 4.  | ZESTAW BATERII *                |
| 5.  | WYZWALACZ PRZEPUSTNICY          |
| 6.  | PRZEŁĄCZNIK OBECNOŚCI OPERATORA |
| 7.  | MOCOWANIE NA PASEK NA RAMIĘ     |
| 8.  | TRZONEK                         |
| 9.  | OSŁONY PRZED ŚMIECIAMI          |
| 10. | GŁOWICA DO STRAJAJĄCA           |
| 11. | UCHWYTU PRZEDNIEGO              |
| 12. | ZATYCZKA SZPULI                 |
| 13. | SZPULA                          |
| 14. | ZATRZASK ZWALNIANIA ZATYCZKI    |
| 15. | OCZKO                           |
| 16. | PASEK NA RAMIĘ *                |

\* Nie wszystkie pokazane na ilustracji akcesoria są dostarczane standardowo.

# INSTRUKCJA ORYGINALNA BEZPIECZEŃSTWO PRODUKTU OGÓLNE OSTRZEŻENIA DOTYCZĄCE BEZPIECZEŃSTWA PODCZAS PRACY Z ELEKTRONARZĘDZIAMI



**OSTRZEŻENIE** Przeczytaj wszystkie ostrzeżenia, instrukcje, ilustracje i specyfikacje dostarczone z elektronarzędziem. Niestosowanie się do podanych wskazówek może spowodować porażenie prądem, pożar i / lub ciężkie obrażenia ciała. **Należy dobrze przechowywać te przepisy.** Użyte w dalszej części pojęcie „elektronarzędzie” odnosi się do elektronarzędzi napędzanych prądem (z kablem zasilającym) i do elektronarzędzi napędzanych akumulatorami (bez kabla zasilającego).

## 1) Miejsce pracy

- a) Miejsce pracy należy utrzymywać w czystości i dobrze oświetlone.** Nieporządek i nie oświetlane zakresy pracy mogą doprowadzić do wypadków.
- b) Nie należy pracować tym narzędziem w otoczeniu zagrożonym wybuchem, w którym znajdują się np. łatwopalne ciecze, gazy lub pyły.** Elektronarzędzia wywołują iskry, które mogą podpalić ten pył lub parę.
- c) Elektronarzędzie trzymać podczas pracy z daleka od dzieci i innych osób.** Przy odwróceniu uwagi można stracić kontrolę nad narzędziem.

## 2) Bezpieczeństwo elektryczne

- a) Wtyczka urządzenia musi pasować do gniazda. Nie wolno zmieniać wtyczki w jakikolwiek sposób. Nie należy używać wtyczek adapterowych razem z uziemionymi narzędziami.** Niezmienione wtyczki i pasujące gniazda zmniejszają ryzyko porażenia prądem.
- b) Należy unikać kontaktu z uziemionymi powierzchniami jak rury, grzejniki, piece i lodówki.** Istnieje zwiększone ryzyko porażenia prądem, gdy Państwa ciało jest uziemione.
- c) Nie obsługuj urządzenia w deszczu ani wilgoci. Może to zwiększyć ryzyko porażenia prądem.** Po zamoczeniu w deszczu podczas pracy, urządzenie i akumulator powinny być wysuszone przed przechowywaniem lub ładowaniem. Wyjmij akumulator i włóż go ponownie, jeśli urządzenie

nie będzie się włączać. Utrzymuj połączenie akumulatora wolne od brudu i zanieczyszczeń i czyścić je miękką i suchą szmatką lub szmatką.

- d) Nigdy nie należy używać kabla do innych czynności. Nigdy nie używać kabla do noszenia urządzenia za kabel, zawieszania lub do wyciągania wtyczki z gniazda. Kabel należy trzymać z daleka od wysokich temperatur, oleju; ostrych krawędzi lub ruchomych części urządzenia.** Uszkodzone lub poplątane kable zwiększają ryzyko porażenia prądem.
- e) W przypadku, że elektronarzędziem pracuje się na świeżym powietrzu należy używać kabla przedłużającego, który dopuszczony jest do używania na zewnątrz. Użycie dopuszczonego do używania na zewnątrz kabla przedłużającego zmniejsza ryzyko porażenia prądem.**
- f) Jeśli nie można uniknąć posługiwania się elektronarzędziem w miejscu o dużej wilgotności należy użyć zabezpieczonego zasilacza domowego (RCD). Stosowanie RCD zmniejsza ryzyko porażenia prądem elektrycznym.**

## 3) Bezpieczeństwo osób

- a) Należy być uważnym, zważać na to co się robi i pracę elektronarzędziem rozpoczynać z rozsądkiem. Nie należy używać urządzenia gdy jest się zmęczonym lub pod wpływem narkotyków, alkoholu lub leków.** Moment nieuwagi przy użyciu urządzenia może doprowadzić do poważnych obrażeń ciała.
- b) Należy nosić osobiste wyposażenie ochronne i zawsze okulary ochronne.** Noszenie osobistego wyposażenia ochronnego jak maska przeciwpyłowa, nie ślizgające się buty robocze, hełm ochronny lub ochrona słuchu, w zależności od rodzaju i użycia elektronarzędzia zmniejsza ryzyko obrażeń ciała.
- c) Należy zapobiec przypadkowemu uruchomieniu. Przed podłączeniem do sieci zasilającej i/lub zestawu baterii, podniesieniem urządzenia i przenoszeniem urządzenia należy sprawdzić, czy przełącznik znajduje się w pozycji wyłączenia.** W przypadku, że przy noszeniu urządzenia trzyma się palec na włączniku/wyłączniku lub włączone urządzenie podłączone zostanie do prądu, to może to doprowadzić do wypadków.
- d) Zanim urządzenie zostanie włączone należy usunąć narzędzia nastawcze lub klucze.** Narzędzie lub klucz, które znajdują się w ruchomych częściach urządzenia mogą doprowadzić do obrażeń ciała.
- e) Nie należy przeceniać swoich możliwości. Należy dbać o bezpieczną pozycję pracy i zawsze utrzymywać równowagę.** Przez to możliwa jest lepsza kontrola urządzenia w nieprzewidzianych

sytuacjach.

- f) Należy nosić odpowiednie ubranie. Nie należy nosić luźnego ubrania lub biżuterii.** *Wystrzegaj się kontaktu włosów, części odzieży lub rękawic ochronnych z ruchomymi częściami urządzenia.*
- g) W przypadku, że możliwe jest zamontowanie urządzeń odsysających lub podchwytyjących należy upewnić się, czy są one właściwie podłączone i prawidłowo użyte.** *Użycie tych urządzeń zmniejsza zagrożenie spowodowane pyłami.*
- h) Częste używanie urządzenia i rutyna może osłabić twoją uwagę i być przyczyną niedotrzymywania zasad bezpieczeństwa.** *Nieuważne działanie może spowodować poważne szkody w ułamku sekundy.*
- 4) Staranne obcowanie oraz użycie elektronarzędzi**
- a) Nie należy przeciążać urządzenia. Do pracy używać należy elektronarzędzia, które jest do tego przewidziane.** *Odpowiednim narzędziem pracuje się lepiej i bezpieczniej w podanym zakresie sprawności.*
- b) Nie należy używać elektronarzędzia, którego włącznik/wyłącznik jest uszkodzony.** *Elektronarzędzie, którego nie można włączyć lub wyłączyć jest niebezpieczne i musi zostać naprawione.*
- c) Przed przystąpieniem do wykonywania jakichkolwiek regulacji, ustawień wymiany osprzętu lub składowania urządzenia należy odłączyć wtyczkę od źródła zasilania i/lub wyjąć akumulator.** *Ten środek ostrożności zapobiega niezamierzonemu włączeniu się urządzenia.*
- d) Nie używane elektronarzędzia należy przechowywać poza zasięgiem dzieci. Nie należy dać narzędzia do użytku osobom, które jego nie znają lub nie przeczytały tych przepisów.** *Używane przez niedoświadczonych osoby elektronarzędzia są niebezpieczne.*
- e) Dotrzymuj regularnego wykonywania konserwacji urządzenia i osprzętu. Należy kontrolować, czy ruchome części urządzenia funkcjonują bez zarzutu i nie są zablokowane, czy części nie są pęknięte lub uszkodzone, co mogłoby mieć wpływ na prawidłowe funkcjonowanie urządzenia. Uszkodzone części należy przed użyciem urządzenia oddać do naprawy.** *Wiele wypadków spowodowanych jest przez niewłaściwą konserwację elektronarzędzi.*
- f) Narzędzia tnące należy utrzymywać ostre i czyste.** *Starannie pielęgnowane narzędzia tnące z ostrymi krawędziami tnącymi zablokują się rzadziej i łatwiej się je prowadzi.*
- g) Elektronarzędzia, osprzęt, narzędzia itd. należy używać odpowiednio do tych przepisów i tak, jak jest to przewidziane dla tego specjalnego typu urządzenia. Uwzględnić należy przy tym warunki pracy i czynność do wykonania.** *Użycie elektronarzędzi do innych niż przewidziane prace może doprowadzić do niebezpiecznych sytuacji.*
- h) Uchwyty oraz powierzchnie elementów obsługi urządzenia utrzymywać suche, czyste, bez oleju i smaru.** *Śliskie uchwyty oraz inne powierzchnie stanowią przeszkodę w bezpiecznej obsłudze i kontroli nad narzędziem w nieoczekiwanych sytuacjach.*
- 5) Staranne użytkowanie elektronarzędzi napędzanych akumulatorami**
- a) Akumulatory należy ładować tylko w ładowarkach, które poleci producent.** *Dla ładowarki, która nadaje się do ładowania określonych akumulatorów istnieje niebezpieczeństwo pożaru, gdy użyte zostaną inne akumulatory.*
- b) Do elektronarzędzi należy używać jedynie przewidzianych do tego akumulatorów.** *Użycie innych akumulatorów może doprowadzić do obrażeń ciała i niebezpieczeństwa pożaru.*
- c) Nie używany akumulator należy trzymać z daleka od spinaczy, monet, kluczy, gwoździ, śrub lub innych małych przedmiotów metalowych, które mogłyby spowodować zmostkowanie kontaktów.** *Zwarcie pomiędzy kontaktami akumulatora może spowodować oparzenia lub pożar.*
- d) Przy niewłaściwym użyciu możliwe jest wydostanie się cieczy z akumulatora. Należy unikać kontaktu z nią. Przy przypadkowym kontakcie spłukać wodą.** *W przypadku, że ciecz dostała się do oczu należy dodatkowo skonsultować się z lekarzem. Ciecz akumulatorowa może doprowadzić do podrażnienia skóry lub oparzeń,*
- e) Zabrania się używania uszkodzonego lub zmodyfikowanego akumulatora lub urządzenia.** *Uszkodzone lub zmodyfikowane akumulatory mogą działać w nieoczekiwany sposób wywołując pożar, eksplozję lub zagrożenie zranienia osób.*
- f) Zabrania się wystawiania akumulatora lub urządzenia na działanie ognia lub podwyższonej temperatury.** *Działanie ognia lub temperatury przekraczającej 130 °C może spowodować eksplozję.*
- g) Kierować się instrukcjami dotyczącymi sposobu ładowania, nie wystawiać akumulatora na działanie temperatury poza zakresem podanym w instrukcji obsługi.** *Niewłaściwy sposób ładowania akumulatora lub działanie temperatury poza zakresem podanym w instrukcji, może być przyczyną uszkodzenia*

akumulatorka lub nastanie podwyższonego ryzyka wybuchu pożaru.

## 6) Serwis

- a) **Naprawę urządzenia należy zlecić jedynie kwalifikowanemu fachowcowi i przy użyciu oryginalnych części zamiennych.** *To gwarantuje, że bezpieczeństwo urządzenia zostanie zachowane.*
- b) **Zabrania się dokonywania naprawy uszkodzonego akumulatora.** *Naprawę akumulatora może wykonywać wyłącznie producent lub autoryzowany punkt serwisowy.*

# OSTRZEŻENIA DOTYCZĄCE BEZPIECZEŃSTWA WYKASZARKI DO TRAWY/ZAROŚLI I PIŁ TARCZOWYCH

- b) **Dokładnie sprawdź, czy w miejscu, w którym ma być używana maszyna, nie ma dzikich zwierząt.**  *Dzięki zwierzęta mogą zostać zranione przez maszynę podczas pracy.*
- c) **Dokładnie sprawdź miejsce, w którym maszyna ma być używana i usuń wszystkie kamienie, patyki, druty, kości i inne obce przedmioty.** *Wyrzucane siła działania urządzenia przedmioty mogą spowodować obrażenia ciała.*
- d) **Przed użyciem maszyny należy zawsze sprawdzić wzrokowo, czy nóż lub ostrze oraz zespół noża lub ostrza nie są uszkodzone.** *Uszkodzone części zwiększają ryzyko obrażeń.*
- e) **Postępuj zgodnie z instrukcjami dotyczącymi wymiany akcesoriów.** *Nieprawidłowo dokręcone nakrętki lub śruby zabezpieczające ostrze mogą spowodować uszkodzenie ostrza lub jego oderwanie.*
- f) **Znamionowa prędkość obrotowa ostrza musi być co najmniej równa maksymalnej prędkości obrotowej oznaczonej na maszynie.** *Ostrza pracujące z prędkością większą niż znamionowa prędkość obrotowa mogą się złamać i rozlecieć.*
- g) **Stosuj ochronę oczu, uszu, głowy i rąk.** *Odpowiednie wyposażenie ochronne ograniczy obrażenia ciała spowodowane przez latające odrzuty lub przypadkowy kontakt z żyłką lub ostrzem.*
- h) **Podczas obsługi maszyny należy zawsze nosić obuwie ochronne. Nie należy obsługiwać maszyny boso lub w otwartych sandałach.** *Zmniejsza to szansę na zranienie stóp w wyniku kontaktu z ruchomym nożem, ostrzem lub żyłką.*
- i) **Podczas obsługi maszyny należy zawsze**

**nosić długie spodnie.** *Odsłonięta skóra zwiększa prawdopodobieństwo zranienia przez rzucone przedmioty.*

- j) **Podczas obsługi maszyny nie dopuszczaj w pobliże osób postronnych.** *Wyrzucone odłamki mogą spowodować poważne obrażenia ciała.*
- k) **Podczas obsługi maszyny należy zawsze używać obu rąk.** *Trzymanie maszyny obiema rękami pozwoli uniknąć utraty kontroli.*
- l) **Trzymaj maszynę tylko za izolowane powierzchnie chwytne, ponieważ żyłka lub ostrze może zetknąć się z ukrytymi przewodami.** *Żyłka lub ostrza stykające się z przewodem pod napięciem mogą spowodować, że odsłonięte metalowe części maszyny znajdują się pod napięciem i mogą spowodować porażenie operatora prądem.*
- m) **Zawsze zachowuj prawidłową postawę i obsługuj maszynę tylko stojąc na ziemi.** *Słiskie lub niestabilne powierzchnie mogą spowodować utratę równowagi lub kontroli nad maszyną.*
- n) **Nie używaj maszyny na zbyt stromych zboczach.** *Zmniejsza to ryzyko utraty kontroli, poślizgnięcia się i upadku, co może skutkować obrażeniami ciała.*
- o) **Podczas pracy na zboczach należy zawsze stać stabilnie, zawsze pracować w poprzek zbocza, nigdy w górę lub w dół, a przy zmianie kierunku zachować szczególną ostrożność.** *Zmniejsza to ryzyko utraty kontroli, poślizgnięcia się i upadku, co może skutkować obrażeniami ciała.*
- p) **Podczas pracy maszyny należy trzymać wszystkie części ciała z dala od noża, żyłki lub ostrza. Przed uruchomieniem maszyny upewnij się, że nóż, żyłka lub ostrze niczego nie dotykają.** *Chwila nieuwagi podczas obsługi maszyny może spowodować obrażenia ciała u Ciebie lub innych osób.*
- q) **Nie należy obsługiwać maszyny powyżej wysokości pasa.** *Pomaga to zapobiegać niezamierzonemu dotknięciu noży lub ostrzy i umożliwia lepszą kontrolę nad maszyną w nieoczekiwanych sytuacjach.*
- r) **Podczas cięcia naprężonych zarośli lub podrostów należy uważać na rośliny odginające się z powrotem.** *Gdy napięcie we włóknach drewna zostanie zwolnione, zarośla lub podrost może uderzyć operatora i/lub spowodować utratę kontroli nad maszyną.*
- s) **Zachowaj szczególną ostrożność podczas wycinania zarośli i sadzonek.** *Wiotki materiał może złapać ostrze i odbić w Twoją stronę lub wytrącić Cię z równowagi.*
- t) **Zachowaj kontrolę nad maszyną i nie dotykaj noży, żyłki lub ostrzy i innych niebezpiecznych części ruchomych, gdy są w ruchu.** *Zmniejsza to ryzyko obrażeń spowodowanych przez ruchome części.*
- u) **Przeńs tylko wyłączoną maszynę z**



**dala od ciała.** Prawidłowa obsługa maszyny zmniejszy prawdopodobieństwo przypadkowego kontaktu z ruchomym nożem, żyłką lub ostrzem.

- v) **Podczas transportu lub przechowywania maszyny zawsze zakładaj osłonę na metalowe ostrza.** Prawidłowa obsługa maszyny zmniejszy prawdopodobieństwo przypadkowego kontaktu z ostrzem.
- w) **Używaj tylko zamiennych noży, linek, głowic tnących i ostrzy określonych przez producenta.** Nieprawidłowe części zamienne mogą zwiększyć ryzyko awarii i obrażeń.
- x) **Podczas usuwania zakleszczonego materiału lub serwisowania maszyny należy upewnić się, że wyłącznik jest wyłączony, a akumulator wyjęty.** Nieoczekiwane uruchomienie maszyny podczas usuwania zakleszczonego materiału lub serwisowania może spowodować poważne obrażenia ciała.

## PRZYCZYNY ODSKOKU OSTRZA I ZWIĄZANE Z TYM OSTRZEŻENIA

**Odskok ostrza to nagły ruch maszyny w bok, do przodu lub do tyłu, który może wystąpić, gdy ostrze zakleszczy się lub zaczepi o przedmiot, taki jak drzewko lub pień drzewa. Może być na tyle gwałtowny, że maszyna lub operator zostanie odrzucony w dowolnym kierunku i może spowodować utratę kontroli nad maszyną.**

**Odskoku ostrza i związanych z nim zagrożeń można uniknąć, stosując odpowiednie środki ostrożności podane poniżej.**

- a) **Mocno trzymaj maszynę obiema rękami i ustaw ramiona tak, aby oprzeć się odeskokowi ostrza. Stań po lewej stronie maszyny. Odskok ostrza może zwiększyć ryzyko obrażeń w wyniku nieoczekiwanego ruchu maszyny.**  
*Odskok ostrza może być kontrolowany przez operatora, jeśli zostaną podjęte odpowiednie środki ostrożności.*
- b) **Jeśli ostrze zablokuje się lub cięcie zostanie przerywane z jakiegokolwiek powodu, wyłącz urządzenie i trzymaj je nieruchomo w materiale, aż ostrze całkowicie się zatrzyma. Gdy ostrze się zaczyna, nigdy nie próbuj usuwać maszyny z materiału ani ciągnąć maszyny do tyłu, gdy ostrze jest w ruchu, w przeciwnym razie może wystąpić odskok ostrza.**  
*Zbadaj i podejmij działania naprawcze w celu wyeliminowania przyczyn zakleszczenia się ostrza*
- c) **Nie używaj tępych ani uszkodzonych ostrzy. Tępe lub uszkodzone ostrza zwiększają ryzyko zakleszczenia lub zaczepienia o przedmiot, co skutkuje odeskokiem ostrza.**
- d) **Zawsze utrzymuj dobrą widoczność**

**ciętego materiału.** *Odskok ostrza jest bardziej prawdopodobny w obszarach, w których trudno jest zobaczyć cięty materiał.*

- e) **Jeśli podczas obsługi urządzenia podejdziesz do operatora inna osoba, należy wyłączyć maszynę.** *Istnieje zwiększone ryzyko zranienia innych osób przez poruszające się ostrze w przypadku odskoku ostrza.*

## INSTRUKCJA BEZPIECZEŃSTWA DOTYCZĄCA MODUŁU AKUMULATORA

- a) **Nie demontuj, nie otwieraj lub nie niszcz ogniw pomocniczych lub modułu akumulatora.**
- b) **Nie zwieraj ogniwa lub modułu akumulatora. Nie przechowuj ogniw lub modułu akumulatora w sposób bezładny w pudle lub szufladzie, gdzie mogą się wzajemnie zewrzeć lub ulec zwarceniu przez inne metalowe przedmioty.** Nie używany akumulator należy trzymać z daleka od spinaczy, monet, kluczy, gwoździ, śrub lub innych małych przedmiotów metalowych, które mogłyby spowodować zmostkowanie kontaktów. Zwarcie pomiędzy kontaktami akumulatora może spowodować oparzenia lub pożar.
- c) **Nie narażaj ogniw lub modułu akumulatora na działanie ciepła lub ognia. Unikaj składowania w miejscach pod bezpośrednim działaniem światła słonecznego.**
- d) **Nie narażaj ogniw lub modułu akumulatora na uderzenia mechaniczne.**
- e) **W razie wycieku z ogniwa, nie dopuść, aby płyn zetknął się ze skórą lub dostał się do oczu. Jeśli już nastąpił kontakt z płynem, przemyj skażoną powierzchnię dużą ilością wody i zwróć się o pomoc medyczną.**
- f) **Utrzymuj ogniwa i moduł akumulatora w czystości i w stanie suchym.**
- g) **Jeśli zaciski ogniwa lub akumulatora zostały zanieczyszczone, oczyść je czystą i suchą szmatką.**
- h) **Ogniwa pomocnicze i moduł akumulatora należy przed użyciem naładować. Zawsze używaj właściwej ładowarki i przestrzegaj instrukcji ładowania zawartej w instrukcji obsługi dostarczonej przez producenta urządzenia.**
- i) **Nie pozostawiaj modułu akumulatora na długie ładowanie, jeśli go nie używasz.**
- j) **Po dłuższym okresie składowania**

może być niezbędne kilkakrotne naładowanie i rozładowanie ogniwo lub modułu akumulatora, aby uzyskać optymalną wydajność.

- k) Akumulatory należy ładować tylko w ładowarkach, które poleci producent.
- l) Nie używaj ogniwa lub modułu akumulatora nie przeznaczonego do pracy z danym urządzeniem.
- m) Trzymaj ogniwa i moduł akumulatora poza zasięgiem dzieci.
- n) Zachowaj oryginalne instrukcje produktu do wglądu.
- o) Kiedy to możliwe, wyjmuj moduł akumulatora, jeśli urządzenia się nie używa.
- p) Zużyte ogniwa i akumulatory utylizuj zgodnie z zasadami gospodarki odpadami.
- q) Nie używaj w urządzeniu ogniwo różnych producentów, pojemności i wymiarów.
- r) Akumulatora nie należy zbliżać do źródeł promieniowania mikrofalowego ani narażać na wysokie ciśnienie.






odbiornik.  
- W kwestii pomocy skonsultuj się ze sprzedawcą lub doświadczonym technikiem radiowym/TV.

## SYMBOLE

	Aby zmniejszyć niebezpieczeństwo odniesienia obrażeń, użytkownik powinien przeczytać podręcznik z instrukcjami.
	Prosimy nosić ochronę oczu, uszu i głowy
	Prosimy nosić antypoślizgowe obuwie
	<b>OSTRZEŻENIE</b> - Odległość między maszyną a osobami postronnymi powinna wynosić co najmniej 15 m (50 stóp)
	<b>OSTRZEŻENIE</b> - Należy uważać na przedmioty wyrzucane siłą działania urządzenia.
	<b>OSTRZEŻENIE</b> - Uważaj na pchnięcie ostrza.
	Nie należy używać metalowych ostrzy.
	<b>OSTRZEŻENIE</b> - Przed przystąpieniem do konserwacji należy odłączyć akumulator.
	Prosimy nosić ochronę dłoni
	Odpady wyrobów elektrycznych nie powinny być wyrzucane razem z odpadami gospodarstwa domowego. Należy korzystać z recyklingu, jeśli istnieje odpowiednia infrastruktura. Porady dotyczące recyklingu można uzyskać u władz lokalnych lub sprzedawcy detalicznego.

## WYMAGANIA DLA PRODUKTU BEZPRZEWODOWEGO WEDŁUG INSTRUKCJI

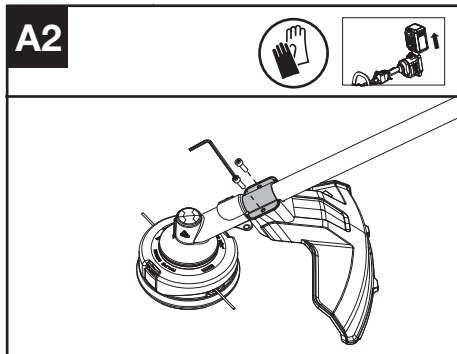
- a) Działanie tego urządzenia podlega następującym dwóm warunkom:
  - (1) To urządzenie nie może wytwarzać szkodliwych zakłóceń i
  - (2) to urządzenie musi być odporne na odbierane zakłócenia, łączenie z tymi, które powodują niepożądane działanie.
- b) Ostrożnie: Zmiany lub modyfikacje w tym urządzeniu, które nie są jawnie zaaprobowane przez stronę odpowiedzialną za zgodność, mogą unieważnić uprawnienie użytkownika do używania sprzętu.
- c) WSKAZÓWKA: Ten sprzęt wytwarza, wykorzystuje i może promieniować energię o częstotliwości radiowej, i - o ile nie jest zainstalowane i używane zgodnie z instrukcją - może powodować szkodliwe zakłócenia w łączności radiowej. Jednakże, nie ma gwarancji, że w konkretnej instalacji zakłócenia nie wystąpią. Jeżeli ten sprzęt powoduje szkodliwe zakłócenia w odbiorze radiowym lub telewizyjnym, co można ustalić wyłączając i włączając go, zachęca się użytkownika do próby skorygowania problemu przez jeden z następujących środków:
  - Reorientacja lub relokacja anteny odbiorczej.
  - Zwiększenie odstępów między sprzętem i odbiornikiem.
  - Podłączenie sprzętu do gniazdka w innym obwodzie niż ten, z którym połączony jest

 <p>Li-Ion</p>	<p>Bateria litowo-jonowa. Ten produkt oznaczono symbolem „segregacji odpadów” dla zużytych baterii i akumulatorów. Umożliwia to jego recykling i demontaż, które zmniejszają negatywny wpływ na środowisko. Pakiety akumulatorów są niebezpieczne dla środowiska i dla ludzkiego życia, gdyż zawierają niebezpieczne substancje.</p>
	<p>Nie wrzucać do ognia</p>
	<p>Nieprawidłowo utylizowane baterie mogą dostać się do obiegu wodnego, co jest groźne dla ekosystemu. Nie wyrzucaj baterii wraz z niesortowanymi odpadami miejskimi.</p>
	<p>Przed przystąpieniem do wymiany akcesoriów upewnij się, że akumulator został wyjęty.</p>
	<p>Przycinanie</p>

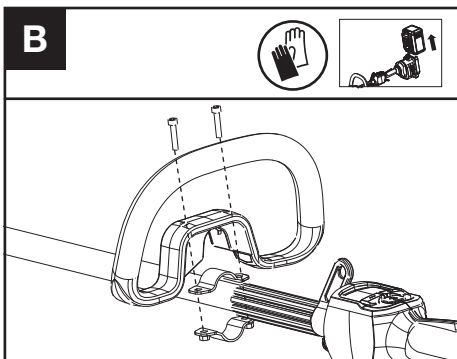
w otwór i obracaj głowicą, aż zatrzyma się w pozycji zablokowanej

### Montaż osłony przed śmieciami (patrz Rys. A2)

1. Zainstaluj prawidłową osłonę przed śmieciami do głowicy podkaszarki.
2. Zabezpiecz osłonę na miejscu za pomocą śruby i klucza Torx.



### Montaż uchwytu przedniego (patrz Rys. B)



1. Zamocuj uchwyt przedni i dolny zacisk na wale.
2. Przelóż sworzeń przez otwory.
3. Dokręć uchwyt przedni.

**OSTRZEŻENIE:** Wyreguluj uchwyt przedni zgodnie z opisem, aby mieć pewność, że ramię przednie jest wyprostowane podczas używania podkaszarki.

### Montaż paska na ramię (Sprzedawany osobno) (patrz Rys. C)

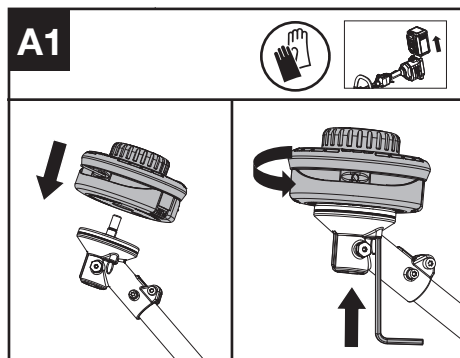
1. Wyreguluj długość paska naramiennego.
2. Połącz karabinek pomocniczego paska naramiennego do punktu mocowania na wale podkaszarki.

## MONTAŻ I OBSŁUGA

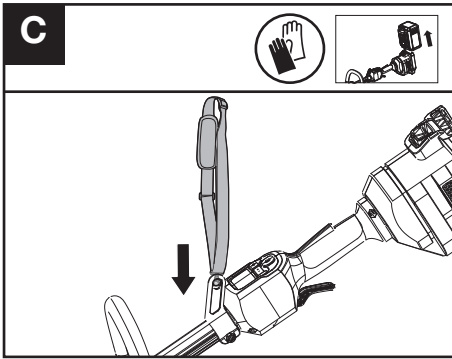
**Uwaga:** Przed użyciem narzędzia przeczytać uważnie instrukcję obsługi.

**PRZED PRACĄ:**

Zamontować głowicę tnącą. (patrz Rys. A1)

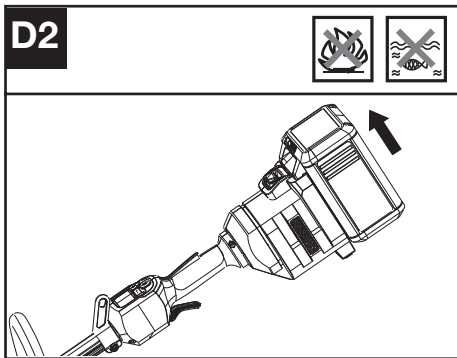
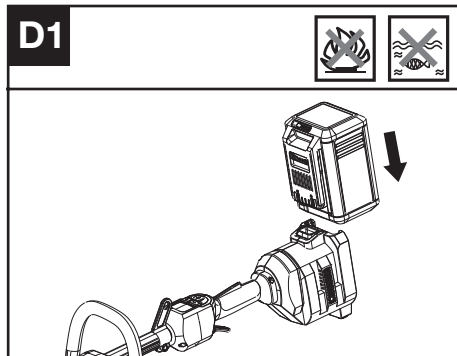


Zamontować głowicę tnącą. Włóż klucz sześciokątny



## DEMONTAŻ I MONTAŻ AKUMULATORA (Patrz Rys. D1, D2)

1. Wsuń pakiet baterii w przegródkę.
2. Znaleźć zatrzask po bokach pojemnika bateryjnego i wcisnąć to w celu zdjęcia pojemnika z narzędzie. Zdjąć pojemnik baterijny z narzędzie.



## ŁĄCZENIE Z UPRZĘŻĄ PLEKAKOWĄ (PĄTRZ RYS. D3)

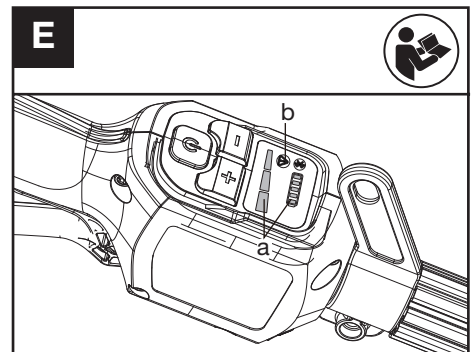
Podkaszarka może być łączona z pomocniczą uprząż plecakową (nie ma na wyposażeniu). Patrz instrukcja uprząży plecakowej po dalsze informacje.



## TESTOWANIE PODKASZARKI I AKUMULATORA (PATRZ RYS. E).

### Sprawdzanie elementów sterowania Przełącznik obecności operatora i wyzwalacz przepustnicy

1. Wyjmij akumulator.
2. Spróbuj wcisnąć wyzwalacz przepustnicy. Jeżeli da się go wcisnąć bez naciśnięcia przełącznika obecności operatora, ten ostatni jest wadliwy. Zaprzestań używania podkaszarki i skontaktuj się z przedstawicielem serwisowym.
4. Przytrzymaj i wcisnij najpierw przełącznik obecności operatora, potem wcisnij wyzwalacz przepustnicy.
5. Zwolnij wyzwalacz manetki i przełącznik obecności operatora. Jeżeli wyzwalacz manetki lub przełącznik obecności operatora zablokował się i nie może odskoczyć w pozycję pierwotną. Zaprzestań używania podkaszarki i skontaktuj się z przedstawicielem serwisowym.



### Sprawdzanie wyświetlacza

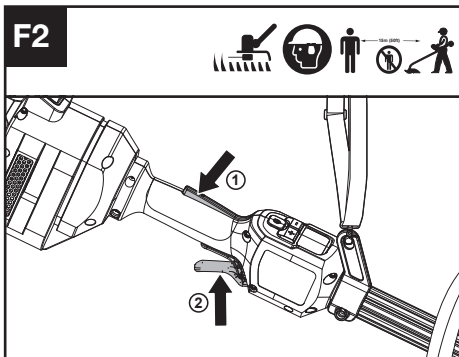
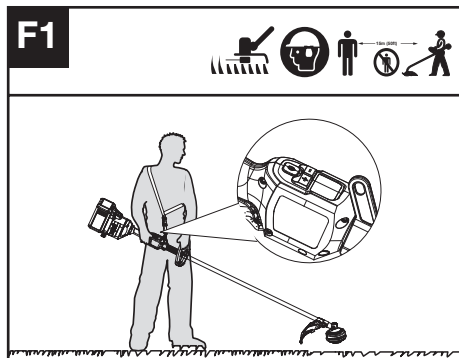
1. Włóż akumulator.
2. Przytrzymaj i wcisnij włącznik/wyłącznik. Produkt jest włączony, gdy LED (a) jest zapalony. Produkt jest wyłączony, gdy LED (a) jest zgaszony.
3. Wcisz najpierw włącznik obecności operatora, następnie wcisnij wyzwalacz manetki, aby uruchomić maszynę. Głowica podkaszarki obraca

się.

- Jeżeli wskaźnik ostrzegawczy (b) zapala się lub błyska, patrz Rozwiązywanie problemów w kwestii rozwiązań.
- Zwolnij wyzwalacz manetki. Głowica podkaszarki zatrzymuje obracanie się z krótką zwłoką. Jeżeli głowica podkaszarki obraca się dalej, wyjmij akumulator i skontaktuj się z przedstawicielem serwisowym.

## DZIAŁANIE:

### Uruchamianie podkaszarki (patrz Rys. F1, F2)



- Trzymaj podkaszarkę pewnie jedną ręką kładąc ją w jego uchwyt kontrolujący - owiń kciuk wokół uchwytu. Trzymaj podkaszarkę pewnie drugą ręką kładąc ją w jego uchwyt pomocniczy - owiń kciuk wokół uchwytu.
- Przytrzymaj i wciśnij włącznik / wyłącznik aż zapali się zielona dioda LED. Zielona lampka LED sygnalizuje poziom mocy.
- Wciśnij najpierw włącznik obecności operatora, następnie wciśnij wyzwalacz manetki, aby uruchomić maszynę. Zielona lampka LED startu/stopu gaśnie po 5 sekundach, jeżeli nie jest używana jako procedura bezpieczeństwa. Jeżeli nie ma strzyżenia, urządzenie pozostaje włączone, jeżeli przełącznik obecności operatora jest wciśnięty w dół bez pracy maszyny. Jeżeli zielona lampka LED gaśnie, produkt będzie wymagał ponownego uruchomienia.

**UWAGA:** Przełącznik obecności operatora jest przeznaczony do zapobiegania przypadkowemu uruchomieniu. Gdy wciśniesz przełącznik obecności operatora, zwalnia to wyzwalacz manetki.

### Wybór prędkości

Można ustawiać 3 poziomy mocy, zależnie od aplikacji. Do sterowania prędkością używaj +/- . Lampki LED sygnalizują wybrany poziom prędkości. Im wyższy poziom mocy, tym szybciej podkaszarka może pracować.

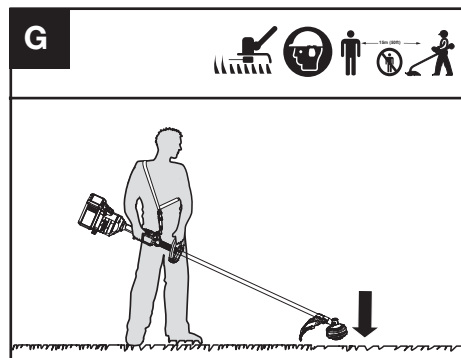
### Zatrzymywanie podkaszarki

Zwolnij wyzwalacz manetki, aby zatrzymać maszynę.

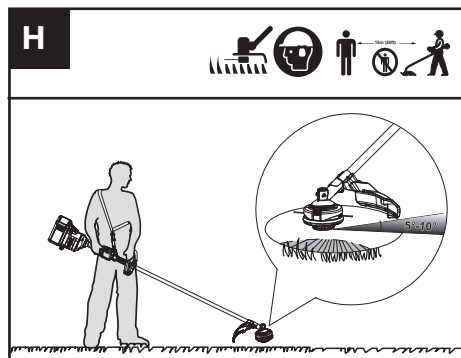
**! Ostrzeżenie!** Głowica tnąca kontnuuje obracanie po wyłączeniu podkaszarki, dlatego narzędzie można położyć dopiero po jego zatrzymaniu.

### System podawania linii wypukłej (Patrz Rys. G)

Trymer jest wyposażony w system linii buforowej. Za każdym razem, gdy dotkniesz głowicy trymera podczas pracy maszyny, pojawia się nowa linia.



### Wskazówki dotyczące cięcia (Patrz Rys. H)



- Obracaj trymerem z boku na bok wzdłuż obszaru,

który ma zostać przycięty.

2. Używaj końcówki liny tnącej do trymowania, nie forsuj głowicy do niestrzyżonej trawy.
3. Ogrodzenia druciane i ze sztachet mogą powodować dodatkowe zużycie i zerwanie linki tnącej. Kamienie i cegły, krawężniki i drewno mogą gwałtownie zerwać linkę.
4. Unikaj drzew i zarośli. Kora, listwy ozdobne, pokrycie ścian i słupki ogrodzenia mogą być łatwo uszkodzone przez linkę tnącą.
5. Wybrany poziom mocy wpływa na czas pracy akumulatora. Im niższy poziom mocy, tym dłuższy czas pracy. Zaleca się stosowanie najniższego poziomu mocy, chyba że w trudnych warunkach strzyżenia.

## Zalecenia dla narzędzi akumulatorowych

Zalecany zakres temperatury otocznicy wynosi  $-20^{\circ}\text{C}$ – $45^{\circ}\text{C}$  ( $-4^{\circ}\text{F}$ – $113^{\circ}\text{F}$ ).

Zalecany zakres temperatury otoczenia dla systemu ładowania, podczas jego ładowania, wynosi od  $-5^{\circ}\text{C}$ – $45^{\circ}\text{C}$  ( $23^{\circ}\text{F}$ – $113^{\circ}\text{F}$ ).

## TRANSPORT

### Transportowanie podkaszarki

1. Wyłącz podkaszarkę i wyjmij akumulator.
2. Gdy transportujesz podkaszarkę ręcznie, trzymaj wał w połowie długości z głowicą tnącą zwróconą w tył, aby mieć pewność, że maszyna jest równoległa do gruntu.
3. Transportując podkaszarkę w pojeździe, zabezpiecz i ustaw ją tak, by uchronić ją przed przewróceniem lub uszkodzeniem.

### Transportowanie akumulatora

1. Zadbaj o to, by akumulator był w bezpiecznych warunkach.
2. Do transportu akumulatora korzystaj z nieprzewodzącego opakowania.
3. Akumulatory litowo-jonowe będące na wyposażeniu podlegają wymogom przepisów o towarach niebezpiecznych.  
Transportuj akumulatory tylko wtedy, gdy obudowa nie jest uszkodzona. Pakuj akumulatory tak, by nie mogły obracać się wokół w opakowaniu.

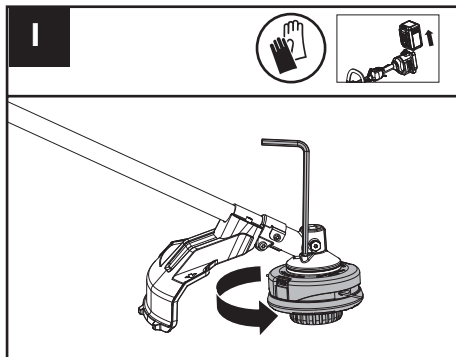
## KONSERWACJA

**!** Zawsze po użyciu wyjmować akumulator z przycinarki

### Wymiana głowicy podkaszarki (patrz Rys. I)

**!** **OSTRZEŻENIE!** Używanie drutu lub linki wzmacnianej walcem jest niedozwolone i może być maksymalnie niebezpieczne. Stosuj tylko linkę tnącą

**zalecaną w tym podręczniku, w połączeniu z zalecaną osłoną przed śmieciem.**

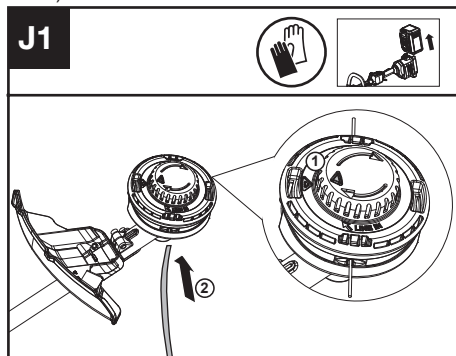


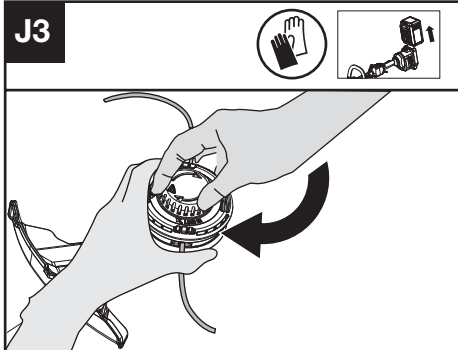
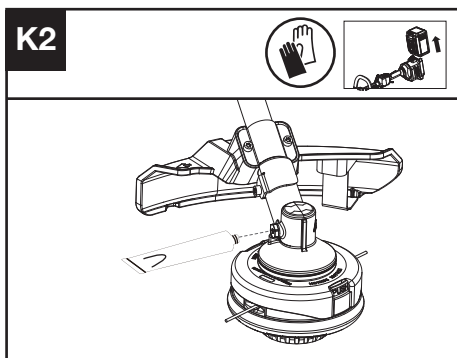
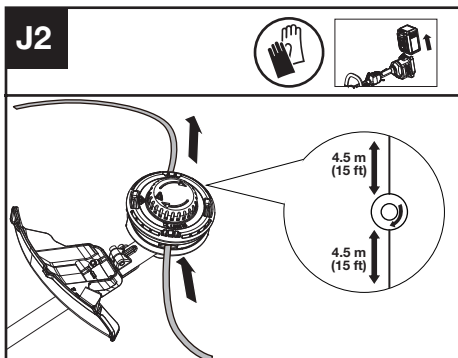
**!** **OSTRZEŻENIE!** Uszkodzona lub luźna głowica tnąca może wibrować, pękać, złamać się lub wypaść z podkaszarki, co może powodować poważne, a nawet śmiertelne obrażenia lub straty materialne. Upewnij się, czy głowica jest prawidłowo i bezpiecznie zamocowana i w dobrym stanie, zanim zaczniesz pracę.

1. Włóż klucz sześciokątny w otwór i obracaj głowicą, aż zatrzyma się w pozycji zablokowanej.
2. Obracaj potem w prawo, aby zdjąć, w lewo - aby zamontować.

### Wymiana szpuli (Patrz Rys. J1, J2, J3)

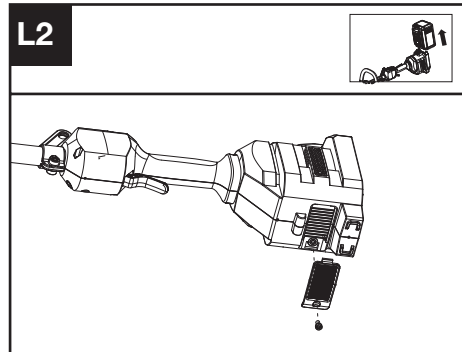
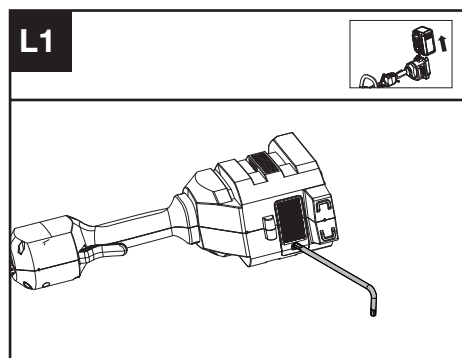
1. Obracaj zatyczką szpuli, aby dwie ikony trójkątne znalazły się w osi. (Patrz Rys. J1)
2. Przelóż linkę wymienną przez oczko (włot) i wyciągnij przez drugie. Zadbaj o to, by końce linki były równe na każdy koniec głowicy podkaszarki (zalecane 4.5 m (15 stóp)) i odetnij ją. (Patrz Rys. J2)





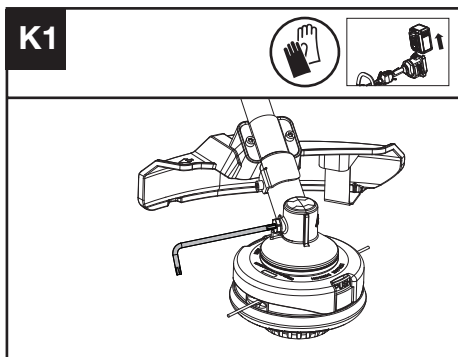
### Czyszczenie filtra powietrza (patrz Rys. L1, L2)

1. Oczyszcz miejsce wokół filtra powietrza. Stosuj nawilżoną ściereczkę lub miękką szczotkę.
2. Odkręć i wyjmij filtr powietrza.
3. Wymyj filtr powietrza pod bieżącą wodą i usuń brud.
4. Pozostaw filtr powietrza do wyschnięcia na powietrzu. I następnie zainstaluj w obudowie dokręcając śrubę.



3. Obracaj tarczą w prawo, aby nawinąć linkę wokół szpuli aż około 16 cm (6") pozostanie po każdej stronie. (Patrz Rys. J3)

### Smarowanie skrzyni biegów (patrz Rys. K1, K2)



1. Wyjmij śruby ze skrzyni biegów.
2. Jeżeli nie ma smaru do przekładni stożkowej na końcu śruby, wciśnij 5 g smaru (SHELL Gadus S2 V220 1)przekładniowego do obudowy.
3. Zamocuj na powrót i mocno dokręć śrubę.
4. Zainstaluj akumulator i uruchom podkaszarkę na 1 minutę, aby zapewnić równe smarowanie przekładni.

### Interwały obsługi

Zaleca się smarowanie skrzyni biegów i czyszczenie

filtra powietrza co 50 godzin pracy w oparciu o faktyczne użytkowanie.

## CZYSZCZENIE

1. Wyłącz podkaszarkę i wyjmij akumulator.
2. Nie używaj agresywnych detergentów ani rozpuszczalników. Czyść maszynę po użyciu wilgotną ściereczką zanurzoną w neutralnym detergencie.
3. Gniazdo chroń przed materiałami obcymi, czyść miękką i suchą szczotką lub ściereczką.
4. Silnika ani części elektrycznych nie spryskuj wodą.
5. Nie używaj myjek ciśnieniowych do czyszczenia maszyny.

## ROZWIĄZYWANIE PROBLEMÓW

W poniższej tabeli podane są usterki i sposób ich usuwania, który wykonać można kiedy urządzenie nie działa poprawnie.



**Ostrzeżenie: Przed wykonaniem jakiegokolwiek usuwania usterki zawsze najpierw wyłączyć urządzenie i wyjąć z niego baterię.**

### PODKASZARKA

Problemy	Możliwe przyczyny	Działania naprawcze
PL Wskaźnik LED akumulatora miga	Niskie napięcie akumulatora.	Doładuj akumulator.
Czerwona lampka LED błędu miga	Przeciążenie.	Nasadka tnąca jest zakleszczona. Dezaktywuj produkt. Wyjmij akumulator. Oczyszcz nasadkę tnącą z niepożądanych materiałów.
	Kwestia temperaturowa.	Pozostaw produkt do ostygnięcia.
	Spust przepustnicy i włącznik/wyłącznik są wciśnięte jednocześnie.	Zwolnij wyzwalacz manetki. Wykonaj ponownie sekwencję uruchomienia.
	Inne problemy	Skontaktuj się z przedstawicielem serwisowym
Produkt się nie uruchamia	Śmieci na stykach akumulatora.	Oczyszcz styki akumulatora sprężonym powietrzem lub miękką szczotką.
	Inne problemy	Skontaktuj się z przedstawicielem serwisowym.
Podkaszarka działa nieregularnie.	Akumulator nie jest w pełni włożony do maszyny.	Włóż całkowicie akumulator.
	Potencjalne nadużycie elektryczne.	Skontaktuj się z przedstawicielem serwisowym.
Nadmierne wibracje/hałas.	Kwestia równowagi linki.	Zawiń linkę.
	Kwestia nasadki tnącej. Uszkodzone urządzenie.	Wymień nasadkę tnącą. Skontaktuj się z przedstawicielem serwisowym.

### AKUMULATOR

Problemy	Możliwe przyczyny	Działania naprawcze
----------	-------------------	---------------------

## ZŁOŻENIE


1. Wyjmij pakiet baterii z trymera przed złożeniem.
2. Po zamoczeniu w deszczu podczas pracy, urządzenie i akumulator powinny być wysuszone przed przechowywaniem lub ładowaniem. Wyjmij akumulator i włóż go ponownie, jeśli urządzenie nie będzie się włączać.
3. Złóż trymer w suchym i bezpiecznym miejscu, niedostępnym dla dzieci i innych osób nieuprawnionych. Zdejmuj akcesoria tnące, jeżeli nie będą używane przez dłuższy czas.
4. Akumulator przechowuj tylko w zakresie temperatur od 5 °C (41 °F) do 25 °C (77 °F). Przekładowo, nie pozostawiaj akumulatora w samochodzie w okresie letnim.



Lampka LED błędu	Akumulator rozładowany	Doładuj akumulator. Jeżeli akumulator nie ładuje się, skontaktuj się z przedstawicielem serwisowym.
	Kwestia temperaturowa.	Akumulator używaj w warunkach, gdzie temperatury są od -5°C do 45°C (23°F do 113°F) dla ładowania; -20°C do 45°C (-4°F do 113°F) dla rozładowania.
	Inne	Skontaktuj się z przedstawicielem serwisowym.

## DANE TECHNICZNE

Typ: **KC100 KC100.X** (1-oznaczenie urządzenia, model bezprzewodowej podkaszarki do trawy)

	<b>KC100 KC100.X **</b>
Napięcie	60 V  MAX ***
Prędkość cięcia	4200 / 5100 / 5900 rpm
Średnica cięcia	42 cm (16.5")
Średnica linki tnącej	2.4 / 2.7 mm (0.095" / 0.105") linka nylonowa
Stopień ochrony	IPX4
Masa (Gołe narzędzie)	4.5 kg (9.9 lbs)

\*\* X = 1-999, A-Z, M1-M9 są tylko dla różnych klientów, nie ma żadnych zmian związanych z bezpieczeństwem między tymi modelami.

\*\*\* Napięcie mierzone bez obciążenia. Początkowe napięcie akumulatora osiąga maksymalną wartość 60 V. Napięcie nominalne wynosi 54 V.

PL

## ZALECANE AKUMULATORY I ŁADOWARKI

Akumulatorki	Pojemność	Ładowarki	Amperage
KAC804	4.0 Ah	KAC840	30 A
KAC810 (Z uprzęzą plecakową)	11.0 Ah		

Zalecamy zakup akcesoriów z tego samego sklepu, który sprzedał Ci narzędzie. Więcej informacji można znaleźć na opakowaniu akcesoriów. Personel sklepu może pomóc i zaoferować porady.

## DANE TECHNICZNE AKUMULATORA (OPCJONALNIE)

Pasma częstotliwości dla Bluetooth	2400-2483.5 MHz
Maksymalna moc przesyłana dla Bluetooth	8 dBm

## KOMBINACJE NASADEK TNĄCYCH, DEFLEKTORÓW I UKŁADÓW PRZENOSZENIA

Nasadka tnąca	Oslona przed śmieciami	Pręt bariery	Układ do noszenia
- Głowica podkaszarki 4" (opcjonalna, nie ma na wyposażeniu) - Głowica podkaszarki 5"	- Deflektor dużej widoczności - Deflektor uniwersalny z połą	- Opcjonalny	- Pasek naramienny - Uprząż plecakowa akumulatora
- Klinga noża	- Deflektor uniwersalny bez poły	- Wymagany	

# DANE DOTYCZĄCE HAŁASU

Ważone ciśnienie akustyczne  $L_{pA} = 79.7 \text{ dB(A)}$

$K_{pA} = 3 \text{ dB(A)}$

Ważona moc akustyczna  $L_{wA} = 94.94 \text{ dB(A)}$

$K_{wA} = 0.59 \text{ dB(A)}$

Używać ochrony słuchu



# INFORMACJE DOTYCZĄCE DRGAŃ

Typowa wibracja ważona  $a_n = 2,45 \text{ m/s}^2$

Niepewność  $K = 3 \text{ m/s}^2$

**OSTRZEŻENIE:** Wartość emisji wibracji w czasie rzeczywistego używania elektronarzędzia może się różnić od zadeklarowanej, w zależności od sposobu używania narzędzia w następujących przykładach i innych sposobach używania narzędzia: Pomoc w minimalizacji narażenia na wibracje. Należy ZAWSZE używać ostrych dłut, wiertel i ostrzy.

Narzędzie należy konserwować z godnie z instrukcjami i prawidłowo smarować (w odpowiednich miejscach).

Jeśli narzędzie jest używane regularnie należy zakupić akcesoria antywibracyjne.

Należy zaplanować harmonogram pracy w celu rozłożenia używania narzędzi wytwarzających wysoki poziom drgań na kilka dni.

**Niepawidłowe prowadzenie tego narzędzia może spowodować syndrom wibracji rąk.**

**OSTRZEŻENIE:** W szczególności, oszacowanie poziomu ekspozycji w rzeczywistych warunkach używania powinno brać także pod uwagę wszystkie elementy cyklu działania, takie jak czasy wyłączenia narzędzia i czas bezczynności, ale nie rzeczywiście wykonywaną pracę. Może to znacznie zmniejszyć poziom ekspozycji w całym okresie pracy. Pomoc w minimalizacji narażenia na wibracje. Należy ZAWSZE używać ostrych dłut, wiertel i ostrzy. Narzędzie należy konserwować z godnie z instrukcjami i prawidłowo smarować (w odpowiednich miejscach). Jeśli narzędzie jest używane regularnie należy zakupić akcesoria antywibracyjne. Należy zaplanować harmonogram pracy w celu rozłożenia używania narzędzi wytwarzających wysoki poziom drgań na kilka dni.

# ZASADY OCHRONY ŚRODOWISKA



Nie wolno mieszać zużytych urządzeń elektrycznych z innymi odpadami domowymi.

Należy je oddawać do recyklingu tam, gdzie istnieją odpowiednie zakłady bądź punkty zdawania odpadów. Porady w tym zakresie można zasięgnąć u najbliższego sprzedawcy lub w przedstawicielstwie władz lokalnych.

# DEKLARACJA ZGODNOŚCI

MY,  
Positec Germany GmbH  
Postfach 32 02 16, 50796 Cologne, Germany

W imieniu firmy Positec zaświadczam, że produkt  
Nazwa **Bezprzewodowa podkaszarka do trawy**  
Typ **KC100 KC100.X (1-oznaczenie urzędzenia, model bezprzewodowej podkaszarki do trawy)**  
Funkcje **koszenie trawy i podobnej innej miękkiej roślinności oraz do obcinania krawędzi trawników**

Jest zgodny z następującymi dyrektywami:  
**2006/42/EC, 2014/30/EU**  
**2011/65/EU & (EU)2015/863**  
**2000/14/EC zmieniona dyrektywą 2005/88/EC**

2000/14/EC zmieniona dyrektywą 2005/88/EC:

- Procedura oceny zgodności zgodna z Aneksiem VI Dyrektywy
- Moc dźwięku **94.94 dB (A)**
- Deklarowana gwarantowana moc dźwięku **96 dB (A)**

Dane jednostki notyfikowanej  
Nazwa: **Intertek Deutschland GmbH (jednostka notyfikowana 0905)**  
Adres: **Stangenstraße 1, 70771 LEINFELDEN-ECHTERDINGEN**

Normy są zgodne z  
**EN 62841-1, FprEN IEC 62841-4-4:2020+FprAA:2021-02, EN 62233, EN ISO 3744, EN IEC 55014-1, EN IEC 55014-2**

Osoba upoważniona do kompilacji pliku technicznego,  
**Nazwa Marcel Filz**  
**Adres Positec Germany GmbH**  
**Postfach 32 02 16, 50796 Cologne, Germany**



2022/12/5  
Allen Ding  
Zastępca głównego inżyniera, testowanie i Certyfikacja  
Positec Technology (China) Co., Ltd  
18, Dongwang Road, Suzhou Industrial Park, Jiangsu 215123, P. R. China

# OBSAH

Úvod.....	155
Seznam komponentů.....	156
Bezpečnost výrobku.....	157
Sestavení a provoz.....	161
Přeprava.....	164
Údržba.....	164
Čištění.....	166
Uskladnění.....	166
Řešení problémů.....	167
Technické údaje.....	167
Ochrana životního prostředí.....	169
Prohlášení o shodě.....	169

cz

## ÚVOD

Vážený zákazníku,

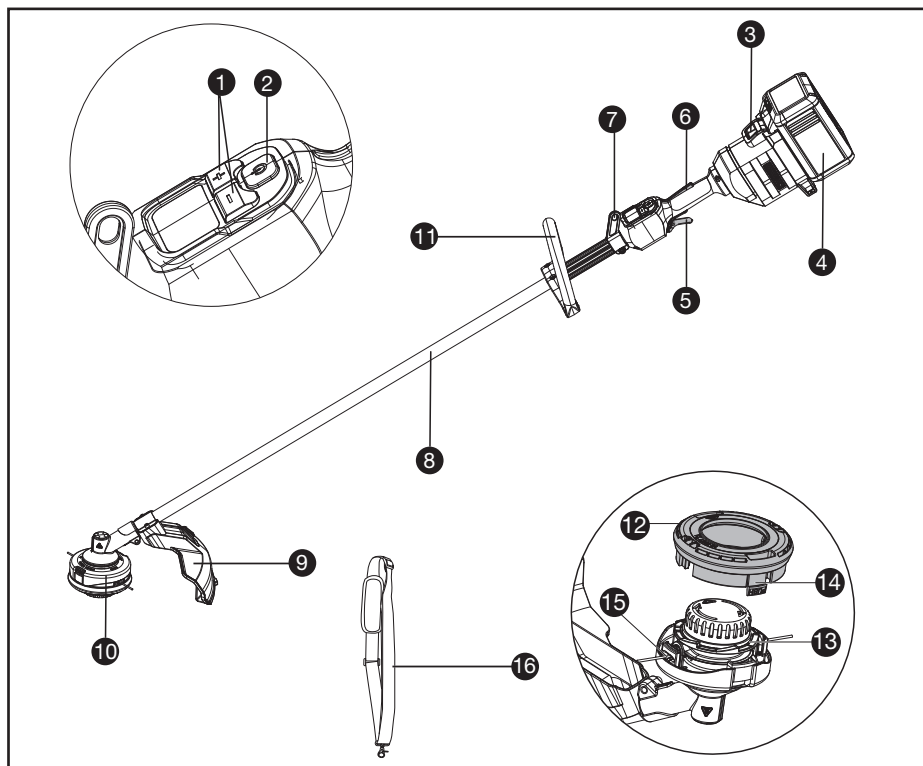
děkujeme, že jste si zakoupili tento produkt od společnosti Kress Commercial. Zaměřujeme se na vývoj vysoce kvalitních produktů, které splní vaše požadavky při krajinářských pracích.

Značka Kress je synonymem služeb prémiové kvality. Pokud budete mít kdykoli během doby životnosti vašeho produktu jakékoli otázky nebo obavy ohledně vašeho produktu, obraťte se na vašeho prodejce nebo přímo na náš tým Zákaznických služeb.

Věříme, že budete mít radost z používání vašeho produktu od společnosti Kress po mnoho nadcházejících let.

## PŘEDMĚT POUŽITÍ

Tento stroj je určen k sekání trávy a vysokého plevele, ke kterému se nedostanete se sekačkou na trávu. Tento stroj se používá také na plochách se svažitým terénem, které nejsou vhodné pro sekání.



## SEZNAM KOMPONENT

- |     |                                   |
|-----|-----------------------------------|
| 1.  | REGULACE RYCHLOSTI                |
| 2.  | HLAVNÍ VYPÍNAČ                    |
| 3.  | UVOLŇOVACÍ TLAČÍTKO BATERIE       |
| 4.  | AKUMULÁTOR *                      |
| 5.  | SPOUŠŤ ŠKRTICÍ KLAPKY             |
| 6.  | SPÍNAČ PŘÍTOMNOSTI OBSLUHY        |
| 7.  | DRŽÁK NA RAMENNÍ POPRUH           |
| 8.  | RUKOJETI                          |
| 9.  | OCHRANNÉHO KRYTU PROTI NEČISTOTÁM |
| 10. | JEMNĚ VYLADĚNÁ HLAVA              |
| 11. | PŘEDNÍ RUKOJETI                   |
| 12. | KRYT CÍVKY                        |
| 13. | CÍVKA                             |
| 14. | UVOLŇOVACÍ ZÁPADKA KRYTU          |
| 15. | OČKO                              |
| 16. | RAMENNÍ POPRUH *                  |

\* Ne všechno zobrazené nebo popisované příslušenství je součástí standardní dodávky.

# PŮVODNÍ NÁVOD K POUŽÍVÁNÍ BEZPEČNOST VÝROBKU OBEČNÁ BEZPEČNOSTNÍ UPOZORNĚNÍ PRO ELEKTRICKÉ NÁSTROJE



**VAROVÁNÍ** Přečtěte si všechna bezpečnostní varování, pokyny, seznamte se s ilustracemi a technickými údaji dodanými s tímto elektrickým náradím. Nedodržení jakýchkoliv níže uvedených pokynů může mít za následek úraz elektrickým proudem, vznik požáru nebo vážného úrazu. **Uložte instrukce a veškerou dokumentaci pro budoucí použití.**

Výraz "elektrické ruční nářadí" znamená v upozornění buď na nářadí na elektrický pohon (napájené elektrickou sítí) nebo na akumulátorové nářadí (napájené z akumulátoru).

## 1) Bezpečnost na pracovišti

**a) Udržujte pracoviště v čistotě a dobře osvětlené.** Pracoviště plně nepotřebných předmětů nebo slabě osvětlené zvyšuje možnost úrazu.

**b) D Nepoužívejte elektrické ruční nářadí v prostředí náchylném na exploze jako například v přítomnosti hořlavých tekutin, plynů nebo prachu.** Elektrické ruční nářadí při práci vytváří jiskry, které mohou vznítit prach nebo výparu.

**c) Při práci s elektrickým ručním náradím udržujte děti a přihlížející osoby v dostatečné vzdálenosti.** Ztráta pozornosti může vést ke ztrátě kontroly nad náradím.

## 2) Bezpečnost při práci s elektrinou

**a) Vidlice elektrického ručního nářadí musí být shodného typu jako zásuvky el. sítě. Neměňte vidlici nedovoleným nebo neodborným způsobem, předejete tak možným zraněním nebo úrazu el proudem.** Nepoužívejte spolu s uzemněným ručním náradím žádné adaptéry, které neumožňují ochranu zemněním.

**b) Vyhybejte se kontaktu s uzemněnými povrchy jako například trubkami, radiátory, sporáky a ledničkami.** Je-li vaše tělo spojené s uzemněným předmětem nebo stojí na uzemněné ploše, vzniká zvýšené riziko úrazu elektrickým proudem.

**c) Stroj nepoužívejte v dešti nebo moku. Mohlo by to zvýšit nebezpečí zasažení elektrickým proudem.** Pokud zmokne během použití v dešti, stroj a baterie by měly

být vysušeny před skladováním nebo nabíjením. Vyjměte baterie a znovu je vložte, pokud se nezdaří přístroj zapnout. Kontakty baterie udržujte bez špíny a nečistot a čistěte je měkkým a suchým kartáčem nebo hadříkem.

**d) Nemanipulujte s napájecím kabelem necitlivě. Nikdy si nepřitahujte elektrické ruční nářadí k sobě pomocí kabelu a nevytrhávejte kabel ze zástrčky, abyste ruční nářadí vypnuli. Nevystavujte kabel vysokým teplotám, oleji, ostrým hranám nebo kontaktu s pohyblivými díly.** Poškozené nebo zamotané kabely mohou vést k zvýšenému riziku úrazu elektrickým proudem.

**e) Při práci s ručním náradím v exteriéru použijte prodlužovací kabel vhodný pro použití v exteriéru.** Použijte kabel vhodný pro venkovní prostředí, snížíte tím riziko vzniku úrazu elektrickým proudem.

**f) Pokud je práce s ručním náradím ve vlhkých podmínkách nevyhnutelná, použijte napájení chráněné jističem typu proudový chránič (RCD).** Použití RCD jističe redukuje riziko vzniku úrazu elektrickým proudem.

## 3) Osobní bezpečnost

**a) Buďte soustředění, sledujte co děláte a při práci s ručním náradím se řiďte zdravým rozumem. Nepoužívejte ruční nářadí, jste-li unaveni nebo pod vlivem omamných látek, alkoholu nebo léků.** Moment nepozornosti při práci s ručním náradím může vést k vážnému osobnímu zranění.

**b) Použijte osobní ochranné pomůcky. Vždy noste ochranu očí.** Ochranné pomůcky jako například proti prachová maska, boty s protiskluzovou podrážkou nebo chrániče sluchu použité v příslušných podmínkách pomáhají redukovat nebezpečí vážného osobního zranění.

**c) Předcházejte neúmyslnému zapnutí. Ujistěte se, že vypínač je ve vypnuté poloze předtím, než zapojíte nářadí do elektrické sítě a nebo k akumulátoru, rovněž při zvedání nebo nošení nářadí.** Nošení nářadí s prstem na vypínači nebo nářadí pod napětím zvyšuje možnost úrazu.

**d) Odstraňte jakékoliv nastavovací nebo maticové klíče a šrouby předtím, než zapnete ruční nářadí.** Nastavovací nebo jiný klíč ponechány na rotující části ručního nářadí může způsobit osobní úraz.

**e) Nepřeceňujte se. Udržujte si stabilitu a pevnou zem pod nohama za každých podmínek.** Umožňuje vám to lepší kontrolu nad ručním náradím v neočekávaných situacích.

**f) Pro práci se vhodně oblečte. Nenoste volné oblečení nebo šperky.** Svě vlasy a volné oblečení držte z dosahu pohyblivých částí. Volné oblečení, šperky nebo dlouhé vlasy se mohou do pohyblivých částí zachytit.

- g) Pokud jsou zařízení nastavená na spojení se zařízeními na zachytávání a extrakci prachu, ujistěte se, že jsou tato zařízení správně připojena a použita.** Použitím sběrače prachu redukuje rizika vyvolaná prachem.
- h) Nedopust'te, abyste díky zkušenostem nabytým častým používáním elektrického nářadí přestali dodržovat základy bezpečného použití.** Neopatrný úkon může způsobit vážný úraz během zlomku sekundy.
- 4) Použití a údržba ručního nářadí**
- a) Na ruční nářadí netlačte. Použijte správné ruční nářadí pro danou činnost.** Správné ruční nářadí udělá práci lépe a takovou rychlostí, pro kterou bylo navrženo.
- b) Nepoužívejte ruční nářadí, pokud správně nefunguje vypínač on/off.** Jakékoli ruční nářadí, které se nedá ovládat vypínačem, je nebezpečné a musí být opraveno.
- c) Před jakýmkoliv seřízením, výměnou násad nebo uskladněním elektrického nářadí vyjměte síťovou zástrčku ze zásuvky nebo, pokud je to možné, z něj vyjměte akumulátor.** Taková preventivní bezpečnostní opatření redukuje riziko náhodného zapnutí ručního nářadí.
- d) Nepoužíváte-li ruční nářadí, skladujte je mimo dosah dětí a nedovolte osobám, které nemají zkušenosti s prací s ručním nářadím nebo neznají tyto pokyny, s nářadím pracovat.** Ruční nářadí je nebezpečné v rukách neškolené a nezkušené osoby.
- e) Provádějte pravidelnou údržbu elektrického nářadí a příslušenství. Zkontrolujte chybné připojení nebo spojení pohyblivých částí, zlomené části nebo jiné okolnosti, které by mohly ovlivnit funkčnost ručního nářadí. Je-li nářadí poškozeno, nechte je před novým použitím opravit.** Mnoho úrazů vzniká proto, že je elektrické ruční nářadí špatně udržováno.
- f) Udržujte řezné nástroje ostré a čisté.** Správně udržované řezné nástroje s ostrými řezacími hranami jsou méně náchylné na zakousnutí a lépe se ovládají.
- g) Používejte elektrické nářadí v souladu s těmito pokyny, berte v úvahu pracovní podmínky a druh vykonávané práce.** Je-li elektrické nářadí použito na jiné účely, než je určeno, může docházet k nebezpečným situacím.
- h) Rukojeti a povrchy držadel udržujte suché, čisté, bez maziv a tuků.** Kluzké rukojeti a držadla neumožňují bezpečnou manipulaci a obsluhu nářadí v neočekávaných situacích.
- 5) Použití a údržba elektrického nářadí napájeného baterií**
- a) Provádějte nabíjení pouze v nabíječce, která je specifikovaná výrobcem.** Nabíječka, která je vhodná pro jeden typ baterie, může při použití jiného typu baterie vytvářet riziko způsobení požáru.
- b) Při použití nářadí napájeného baterií používejte pouze baterii, která je určena speciálně pro toto nářadí.** Použití jakékoli jiné baterie může vytvářet riziko způsobení zranění a požáru.
- c) Není-li baterie používána, udržujte ji v bezpečné vzdálenosti od sponek na papíry, mincí, klíčů, hřebíků, šroubů nebo jiných malých kovových předmětů, které mohou způsobit propojení kontaktů baterie.** Zkratování kontaktů baterie může způsobit popáleniny nebo požár.
- d) V náročných podmínkách může docházet k unikům kapaliny z baterie. Vyvarujte se kontaktu s touto kapalinou. Dojde-li k náhodnému kontaktu, opláchněte zasažené místo vodou. Zasažte-li tato kapalina oči, okamžitě vyhledejte lékařské ošetření.** Kapalina unikající z baterie může způsobit podráždění nebo popáleniny.
- e) Akumulátor nebo nářadí, které je poškozeno nebo je upravené, nepoužívejte.** Poškozené nebo upravené akumulátory mohou mít nepředvídatelné chování s následkem požáru, exploze nebo s nebezpečím úrazu.
- f) Akumulátor nebo nářadí nevhazujte do ohně nebo je nevystavujte nadměrným teplotám.** Při vhození do ohně nebo vystavení teplotě nad 130 ° C může dojít k explozi.
- g) Dodržujte veškeré pokyny pro nabíjení a akumulátor nebo nářadí nenabíjejte mimo teplotní rozsah specifikovaný v tomto návodu.** Nesprávné nabíjení, nebo nabíjení při teplotách mimo specifikovaný rozsah může poškodit akumulátor a zvýšit riziko vzniku požáru.
- 6) Servis**
- a) Servisní práce na nářadí nechte provést kvalifikovanými pracovníky za použití originálních náhradních dílů.** Výsledkem bude trvalá bezpečnost při práci s elektrickým nářadím.
- b) Poškozené akumulátory nikdy neopravujte.** Servis akumulátorů by měl být prováděn pouze výrobcem nebo autorizovaným servisním zástupcem.

## BEZPEČNOSTNÍ UPOZORNĚNÍ PRO KŘOVINOŘEZ A PROŘEZÁVAČ

- b) **Důkladně prohlédněte oblast, kde budete stroj používat kvůli divokým živočichům.** Během práce se strojem by tito živočichové mohli být zraněni.
- c) **Pravidelně kontrolujte oblast, kde by mělo být zařízení používáno a odstraňte všechny kameny, klacky, dráty, kosti a jiné cizí předměty.** Vymrštěné předměty mohou způsobit osobní zranění.
- d) **Před použitím stroje vždy vizuálně zkontrolujte, že řezák nebo čepel a jejich příslušenství nejsou poškozeny.** Poškozené části zvyšují riziko zranění.
- e) **Pro výměnu příslušenství postupujte podle pokynů.** Nesprávně utažené matice nebo šrouby zajišťující čepel mohou buďto poškodit čepel nebo způsobit její oddělení.
- f) **Jmenovité otáčky čepele musí být minimálně stejné jako maximální otáčky uvedené na stroji.** Čepel běžíčí na vyšší rychlost než jejich jmenovité otáčky se mohou rozbít a odletět.
- g) **Noste ochranu zraku, uši, hlavy a rukou.** Odpovídající ochranné vybavení snižuje riziko zranění vymrštěnými zbytky nebo náhodným kontaktem se sekací strunou nebo čepelí.
- h) **Během práce se strojem vždy noste bezpečnostní obuv. Se strojem nemanipulujte bosí nebo když máte na sobě otevřené sandály.** Tím snížíte pravděpodobnost zranění spodní části nohou kontaktem s pohyblivou sekačkou, strunou nebo čepelí.
- i) **Při ovládní stroje, vždy noste dlouhé kalhoty.** Odhalená kůže zvyšuje pravděpodobnost zranění vymrštěnými předměty.
- j) **Během práce se strojem držte okolostojící dál od něj.** Vymrštěné zbytky mohou způsobit vážné osobní zranění.
- k) **K ovládní stroje vždy používejte dvě ruce.** Držením stroje oběma rukama se vyhnete ztrátě kontroly.
- l) **Držte stroj pouze za izolované uchopovací povrchy, protože sekací struna nebo čepel může přijít do kontaktu se skrytou elektroinstalací.** Kontakt řezného příslušenství s drátem „pod proudem“ může způsobit, že odkryté kovové části elektrického nářadí budou také „pod proudem“, a může dojít k úrazu obsluhy elektrickým proudem.
- m) **Mějte vždy řádnou půdu pod nohama a ovládejte stroj jen pokud stojíte na zemi.** Klouzavé nebo nestabilní povrchy mohou způsobit ztrátu rovnováhy nebo kontroly ovládní stroje.
- n) **Nepracujte se strojem na příliš strmých svazích.** Tím snížíte riziko ztráty kontroly ovládní, uklouznutí a pádu což může způsobit zranění.
- o) **Při práci na svazích vždy mějte pevnou půdu pod nohama, pracujte kolmo ke svahu, nikdy nahoru a dolu po něm a užívejte extrémní opatrnost při změně směru.** Tím snížíte riziko ztráty kontroly ovládní, uklouznutí a pádu což může způsobit zranění.
- p) **Držte všechny části těla dál od sekačky, struny nebo čepele během práce se strojem.** Předtím, než zapnete stroj, ujistěte se že se sekačka, struna nebo čepel ničeho nedotýká. Chvilka nepozornosti při používání elektrických nářadí může vést k zraněním vás nebo jiných.
- q) **Nepracujte se strojem nad výškou pasu.** Tím předejdete nezamýšlenému kontaktu sekačky nebo čepel a umožníte lepší ovládní stroje v neočekávaných situacích.
- r) **Když sekáte keře nebo mladé stromky, které jsou napnuté, dejte si pozor na zpětný ráz.** Když se napětí v dřevních vláknecch uvolní, keř nebo mladý stromek může udeřit obsluhující osobu a/nebo vymrstit stroj mimo oblast kontroly.
- s) **Při sekání keřů a mladých stromků buďte extrémně opatrní.** Tento slabý materiál může zachytit čepel a být vyšvihnut směrem k vám nebo vás vyvést z rovnováhy.
- t) **Udržujte kontrolu ovládní stroje a nedotýkejte se sekaček, strun, nebo čepelí a dalších nebezpečných pohyblivých částí, když se ještě pohybují.** Toto snižuje riziko poranění způsobeného pohyblivými částmi.
- u) **Stroj přenášejte vypnutý a dále od těla.** Správné nakládání se strojem snižuje pravděpodobnost náhodného kontaktu s pohyblivou sekačkou, strunou nebo čepelí.
- v) **Při přenášení nebo skladování stroje vždy na kovové čepele upevněte kryt.** Správné zacházení se strojem snižuje pravděpodobnost náhodného kontaktu s čepelí.
- w) **Používejte pouze náhradní sekačky, struny, sekací hlavy a čepele specifikované výrobcem.** Nesprávné vyměněné části mohou zvýšit riziko rozbítí a zranění.
- x) **Při čištění ucpaného materiálu nebo při provádění servisních prací na stroji se ujistěte, že spínač je vypnutý a že sada baterií je vyjmutá.** Neočekávané spuštění stroje při čištění ucpaného materiálu nebo provádění servisních prací může mít za následek vážné poranění osob.

## PŘÍČINY ODSKOČENÍ NOŽE A SOUVISEJÍCÍ UPOZORNĚNÍ

Odskočení nože je náhlý pohyb stroje do strany, dopředu nebo dozadu, ke kterému může dojít po zaseknutí nože nebo při jeho kontaktu s předmětem jako je výrostek nebo pařez. Dokáže být dostatečně silné na to, aby stroj a/nebo obsluhu odhodil jakýmkoli směrem, při čemž může dojít ke ztrátě kontroly nad strojem.

**Odskočení nože a s tím souvisejícímu nebezpečí lze zamezit opatřeními uvedenými níže.**

- a) **Držte stroj pevně oběma rukama a mějte ruce tak, abyste ustáli odskočení stroje. Stůjte po levé straně stroje. Vymrštění může zvýšit riziko poranění kvůli neočekávanému pohybu stroje.** *Obsluha může mít kontrolu nad případným vymrštěním při dodržení vhodných opatření.*
- b) **Pokud se nůž zachytne, nebo pokud přerušujete sekání z jakéhokoli důvodu, vypněte stroj a držte jej ve stejné poloze a v materiálu, dokud se nůž úplně nezastaví.** *Pokud je nůž zachycený, nikdy se nesnažte vytáhnout stroj z materiálu nebo jej táhnout směrem zpět, když se nůž otáčí; v opačném případě může dojít k odskočení. Zjistěte příčinu zachycování nože a napravte ji*
- c) **Nepoužívejte tupé nebo poškozené nože.** *Tupé nebo poškozené nože zvyšují riziko zaseknutí nebo zachycení za předmět, což může způsobit odskočení nože.*
- d) **Ujistěte se, že je sekaný materiál vždy dobře vidět.** *Pravděpodobnost odskočení je vyšší v místech, kde je obtížné vidět sekaný materiál.*
- e) **Pokud k vám během používání stroje přijde jiná osoba, vypněte stroj.** *Přítomnost jiných osob zvyšuje riziko poranění, jelikož je v případě odskočení nože může poranit pohybující se nůž.*

**aby zasáhla oči. Dojde-li k takovému kontaktu, zasažené místo omyjte značným množstvím vody a vyhledejte lékařské ošetření.**

- f) **Udržujte baterie čisté a suché.**
- g) **Jsou-li svorky baterie znečištěny, otřete je čistým a suchým hadříkem.**
- h) **Baterie musí být před použitím nabita. Vždy postupujte podle uvedených pokynů a používejte správný postup nabíjení.**
- i) **Nenechávejte baterii nabíjet, nebude-li baterie použita.**
- j) **Po dlouhodobém uložení budete možná muset provést několik cyklů nabíjení a vybíjení, aby baterie dosáhla svého maximálního výkonu.**
- k) **Provádějte nabíjení pouze v nabíječce, která je specifikovaná společností Kress. Nepoužívejte jinou nabíječku, než je nabíječka speciálně dodaná pro použití s tímto zařízením.**
- l) **Nepoužívejte žádnou baterii, která není určena pro použití s tímto zařízením.**
- m) **Ukládejte baterie mimo dosah dětí.**
- n) **Uchovávejte originální dokumentaci k tomuto výrobku pro budoucí odkazy.**
- o) **Není-li zařízení používáno, vyjměte z něj baterii.**
- p) **Provádějte řádnou likvidaci baterie.**
- q) **V zařízení nekombinujte bateriové články různého data výroby, kapacity, velikosti nebo typu.**
- r) **Baterii uchovávejte dál od mikrovlnných trub a vysokého tlaku.**

## BEZPEČNOSTNÍ VAROVÁNÍ TÝKAJÍCÍ SE BATERIÍ

- a) **Nepokoušejte se demontovat, rozebírat nebo rozřezávat baterie nebo její články.**
- b) **Neprovádějte zkratování baterie. Neukládejte baterie nahodile v krabicích nebo v zásuvkách, kde by mohlo dojít k jejich vzájemnému zkratování nebo k zkratování způsobenému jinými předměty. Není-li baterie používána, udržujte ji v bezpečné vzdálenosti od sponek na papíry, mincí, klíčů, hřebíků, šroubů nebo jiných malých kovových předmětů, které mohou způsobit propojení kontaktů baterie. Zkratování kontaktů baterie může způsobit popáleniny nebo požár.**
- c) **Nevystavujte baterii působení horka nebo ohně. Vyvarujte se skladování baterií na otevřeném slunci.**
- d) **Nevystavujte baterii mechanickým rázům.**
- e) **Dojde-li k úniku kapaliny z baterie, zabraňte tomu, aby se tato kapalina dostala do kontaktu s pokožkou nebo**

## NÁVOD K OBSLUZE, POŽADAVKY NA BEZŠŤŮROVÝ VÝROBEK

- a) Používání tohoto zařízení podléhá následujícím dvěma podmínkám:
  - (1) Toto zařízení nesmí způsobovat škodlivé rušení a
  - (2) toto zařízení musí přijímat jakékoli rušení, které přijme, včetně rušení, které může způsobit nežádoucí provoz.
- b) **Upozornění:** Změny nebo úpravy této jednotky, které nebyly výslovně schváleny stranou, která je zodpovědná za splnění předpisů, by mohly zneplatnit uživatelskou pravomoc toto zařízení používat.
- c) **POZNÁMKA:** Toto zařízení vytváří, používá a může také vyzařovat radiovou frekvenční energii a pokud nebude nainstalováno a používáno ve shodě s pokyny, může způsobovat škodlivé rušení radiových komunikací. Neexistuje však záruka, že se rušení nevyskytne v konkrétní instalaci. Pokud toto zařízení přece jen způsobí










škodlivé rušení rádiovému nebo televiznímu příjmu, což může být zjištěno vypnutím a opětovným zapnutím zařízení, tak uživatelé doporučujeme, aby zkusil rušení upravit jedním nebo více z následujících opatření:

- Přeorientovat nebo přemístit přijímací anténu.
- Zvýšit prostor mezi zařízením a přijímačem.
- Zařízení zapojit do zásuvky na okruhu jiném, než ke kterému je připojen přijímač.
- Požádejte o pomoc prodejce nebo zkušeného rádiového/televizního technika.


## SYMBOLY


	Pro snížení nebezpečí vzniku zranění je třeba přečíst si tuto příručku.
	Noste ochranu očí, uší a sluchu
	Mějte obuv s protiskluzovou podrážkou
	UPOZORNĚNÍ - Vzdálenost mezi strojem a okolostojícími by měla být alespoň 15 m (50 stop)
	UPOZORNĚNÍ - Pozor na vymrštěné předměty.
	UPOZORNĚNÍ - Dejte si pozor na tah čepele.
	Nepoužívejte kovové čepele.
	UPOZORNĚNÍ - Před údržbou odpojte baterii.
	Noste ochranu rukou

	Vysloužilé elektrické přístroje nevyhazujte společně s domovním odpadem. Nářadí recyklujte ve sběrnách k tomu účelu zřízených. O možnostech recyklace se informujte na místních úřadech nebo u prodejce.
 Li-Ion 	Akumulátor Li-Ion. Tento výrobek byl označen symbolem „tříděný odpad“ pro všechny jednotlivé a složené akumulátory. Proto musí být s ohledem dopadu na životní prostředí po dosloužení recyklován nebo demontován. Akumulátory obsahují nebezpečné látky, proto mohou být nebezpečné pro životní prostředí a lidské zdraví.
	Nevystavujte ohni
	Akumulátory se mohou při nesprávném způsobu likvidace dostat do systému koloběhu vody, což může ohrozit vlastní ekosystém. Dosloužilé akumulátory nelikvidujte jako netříděný komunální odpad.
	Před výměnou příslušenství zajistěte, aby byla z nářadí vyjmuta baterie.
	Sečení

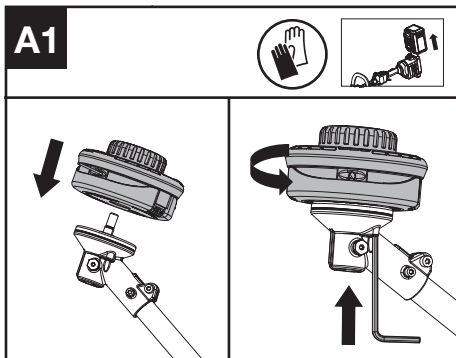
CZ

## SESTAVENÍ A POUŽÍVÁNÍ

 **POZNÁMKA:** Předtím než začnete nářadí používat, přečtěte si pečlivě manuál.

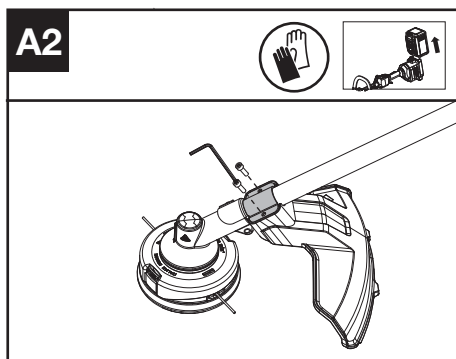
 **PŘED ZAHÁJENÍM PRÁCE:**  
**Nasad'te řezací hlavu. (viz obr. A1)**

Nasad'te řezací hlavu. Vložte šestihřanný klíč do otvoru a otáčejte hlavou strunové sekačky, dokud se nezastaví v uzamčené poloze.

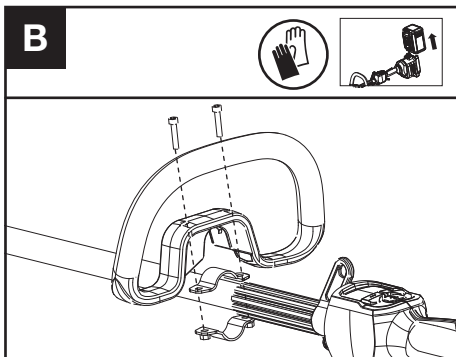


**Montáž ochranného krytu proti nečistotám (viz obr. A2)**

1. Nainstalujte správný kryt proti nečistotám pro hlavu strunové sekačky.
2. Pomocí šroubu a imbusového klíče zajistěte ochranný kryt na místě.



**Montáž přední rukojeti (viz obr. B)**



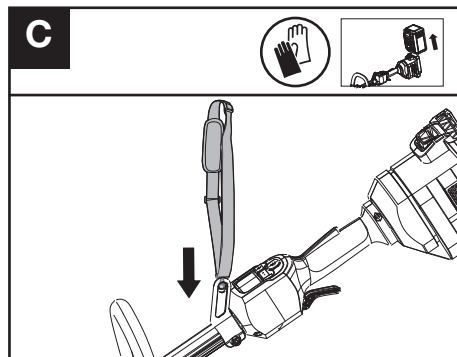
1. Na tyč připevněte přední rukojeť a dolní svorku.
2. Šroub prostrčte otvory.
3. Utáhněte přední rukojeť.

**UPOZORNĚNÍ: Nastavte přední rukojeť podle potřeby tak, abyste**

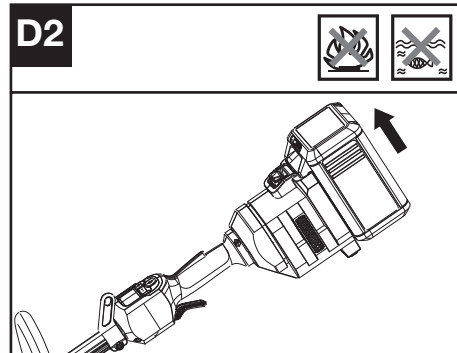
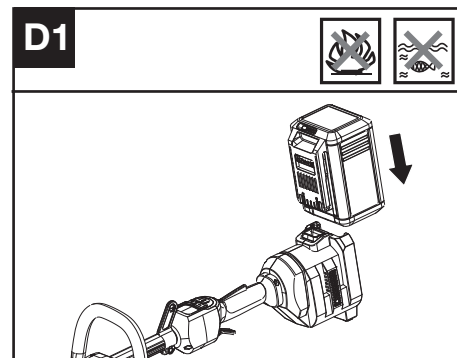
**měli při používání strunové sekačky rovné předloktí.**

**Sestavení ramenního popruhu (Prodává se samostatně)(Viz Obr. C)**

1. Upravte délku ramenního popruhu.
2. Připojte karabinu ramenního popruhu příslušenství k montážnímu bodu na tyči strunové sekačky.



**Vložení a vyjmutí baterie (Viz Obr. D1, D2)**

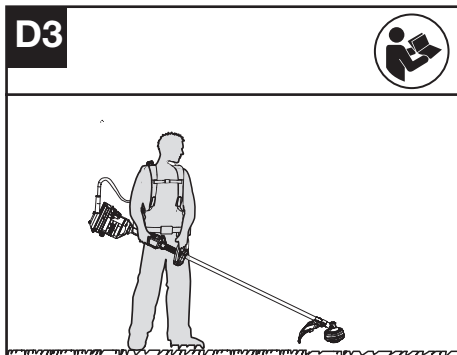


1. Sady baterií nasuňte do přihrádky na baterie.
2. Najděte aretační západky po stranách spodní

části těla vrtačky. Po jejich stlačení uvolníte akumulátor, který lze následně vytáhnout.

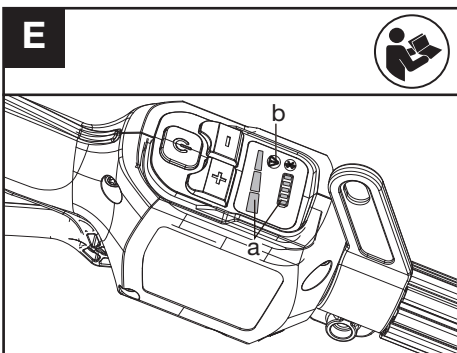
## Připojení k batohovémustroji (viz obr. D3)

Strunovou sekačku lze připojit pomocí příslušenství batohového stroje (není součástí dodávky). Další informace naleznete v příručce k batohovému stroji.



## ZKOUŠKA STRUNOVÉ SEKAČKY A BATERIE (VIZ OBR. E)

### Kontrola ovládacích prvků Spínač přítomnosti obsluhy a spoušť škrťací klapy



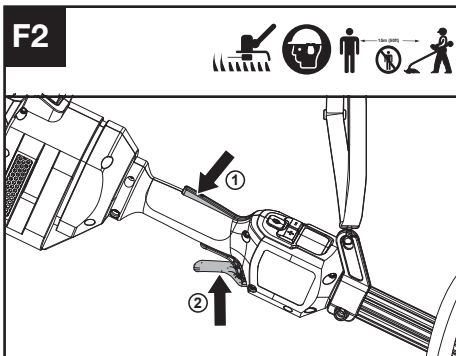
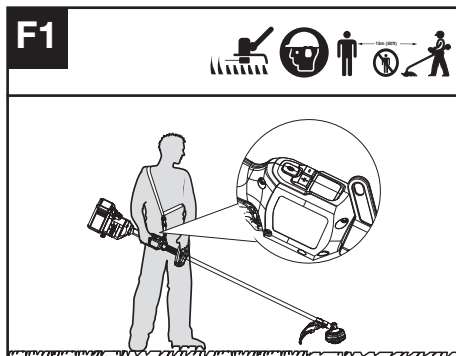
1. Vyměňte baterii.
2. Zkuste stisknout spoušť škrťací klapy. Pokud lze spoušť škrťací klapy stisknout, aniž by byl stisknut spínač přítomnosti obsluhy, je spínač přítomnosti obsluhy vadný. Přestaňte strunovou sekačku používat a obraťte se na servisního pracovníka.
4. Nejprve přidrže a stiskněte spínač přítomnosti obsluhy a poté stiskněte spoušť škrťací klapy.
5. Uvolněte spoušť škrťací klapy a spínač přítomnosti obsluhy. Pokud se spoušť plynu nebo spínač přítomnosti obsluhy zasekne a nemůže se vrátit do původní polohy. Přestaňte strunovou sekačku používat a obraťte se na servisního pracovníka.

## Kontrola displeje

1. Vložte baterii.
2. Pdržte a stiskněte vypínač. Výrobek je zapnutý, když svítí kontrolka LED (a). Výrobek se vypne, když kontrolka LED (a) zhasne.
3. Nejprve stiskněte Spínač přítomnosti obsluhy a poté stiskněte Spoušť plynu, abyste stroj spustili. Hlava strunové sekačky se otáčí.
4. Pokud se výstražný indikátor (b) rozsvítí nebo bliká, řešení naleznete v části Řešení problémů.
5. Uvolněte spoušť plynu. Hlava strunové sekačky se po krátké prodlevě přestane otáčet. Pokud se hlava strunové sekačky nadále otáčí, vyjměte baterii a obraťte se na servisní středisko.

## POUŽITÍ:

### Spuštění strunové sekačky (viz obr. F1, F2)



1. Držte strunovou sekačku pevně pravou rukou za ovládací rukojeť – palec obtočte kolem rukojeti. Držte strunovou sekačku levou rukou za pomocnou rukojeť – palec obtočte kolem rukojeti.
2. Podrže a stiskněte hlavní vypínač, dokud se nerozsvítí zelená kontrolka LED. Zelená kontrolka LED ukazuje úroveň výkonu.
3. Nejprve stiskněte Spínač přítomnosti obsluhy a poté stiskněte Spoušť plynu, abyste stroj spustili. Jako bezpečnostní postup, zelená kontrolka LED start/stop po 5 sekundách zhasne, když sekačka není používána. Pokud přístroj neseká, zůstane

zapnutý, pokud je stisknutý spínač přítomnosti obsluhy, aniž by byl stroj v provozu. Pokud zelená kontrolka LED zhasne, bude třeba výrobek znovu spustit.

**POZNÁMKA:** Spínač přítomnosti obsluhy je navržen tak, aby zabránil náhodnému spuštění. Po stisknutí spínače přítomnosti obsluhy se uvolní spoušť škrticí klapky.

## Volba rychlosti

V závislosti na použití lze nastavit 3 úrovně výkonu. K ovládání rychlosti použijte tlačítka +/- . LED kontrolky indikují zvolenou úroveň rychlosti. Čím vyšší je úroveň výkonu, tím rychleji může sekacínástavec pracovat.

## Zastavení strunové sekačky

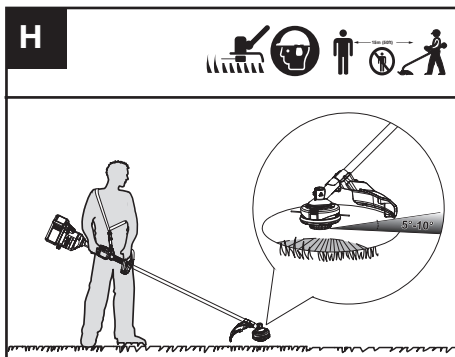
Uvolněte spoušť škrticí klapky, abyste stroj zastavili.

**VAROVÁNÍ!** Hlava sekačky pokračuje v otáčení ještě chvíli po zastavení sekačky. Počkejte proto, dokud nedojde k úplnému zastavení sekačky a potom ji odložte.

## Systém krmení hrbolelem (Viz Obr. G)

Vyžínáč je vybaven systémem vyrovnávacího vedení. Kdykoli se dotknete hlavy zastříhovače, když je stroj v chodu, vyvede se nová linka.

horších podmínkách.



## Pro akumulátorová nářadí

Doporučený rozsah okolní teploty pro vybíjení je -20 °C~45°C (-4 °F~113 °F).

Doporučený rozsah okolní teploty pro nabíjecí systém v průběhu nabíjení je -5°C~45°C (23°F~113°F).

## PŘEPRAVA

### Přeprava strunové sekačky

1. Vypněte strunovou sekačku a vyjměte baterii.
2. Při ruční přepravě strunové sekačky držte střed hřídele sekací hlavou směrem dozadu a ujistěte se, že je stroj rovnoběžně se zemí.
3. Při přepravě sekačky vozidlem ji zajistěte a umístěte tak, abyste zabránili jejímu pohybu nebo poškození.

### Přeprava baterie

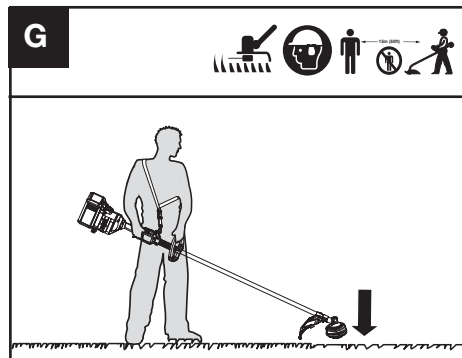
1. Zkontrolujte, zda je baterie v bezpečném stavu.
2. Při přepravě baterie používejte nevodivé obaly.
3. Obsažené Li-Ion baterie podléhají požadavkům legislativy týkající se nebezpečného zboží. Baterie přepravujte pouze v případě, že obal baterie není poškozen. Baterie zabalte tak, aby se v obalu nemohly pohybovat.

## ÚDRŽBA

**!** Po použití vždy odpojte od strunové sekačky baterii.

### Výměna hlavy strunové sekačky (viz obr. I)

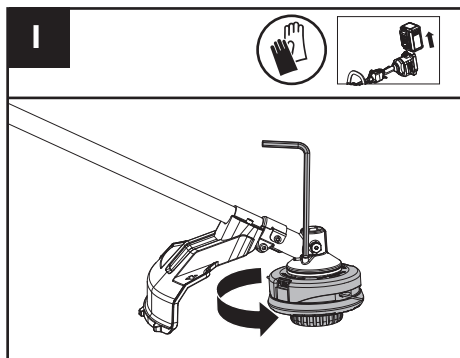
**!** **UPOZORNĚNÍ!** Použití drátěné nebo kovem vyztužené struny není povoleno a mohlo by být velmi nebezpečné. Používejte pouze sekací struny, doporučené v této příručce v kombinaci s doporučeným ochranným krytem proti nečistotám.



## Doporučení ohledně sekání trávy (Viz Obr. H)

1. Otáčejte zastříhovačem ze strany na stranu přes plochu, kterou chcete řezat.
2. K sekání používejte konec struny; hlavu sekačky netlačte do neposekané trávy.
3. Drátěné a dřevěné ploty mohou způsobit větší opotřebení sekací struny a její přetržení. Kamenné a zděné zdi, obrubníky a dřevo mohou sekací strunu rychle opotřebovat.
4. Vyhýbejte se stromům a keřům. Kůra stromů, dřevěné lišty a sloupky plotů mohou sekací strunu lehce poškodit.
5. Zvolená úroveň výkonu ovlivňuje dobu provozu baterie. Čím nižší je úroveň výkonu, tím delší je doba provozu. Doporučujeme používat nejnižší úroveň výkonu, pokud se nejedná o sekání v

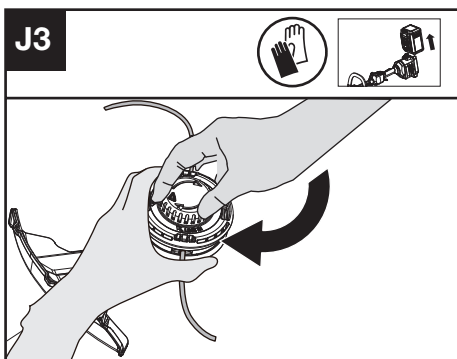
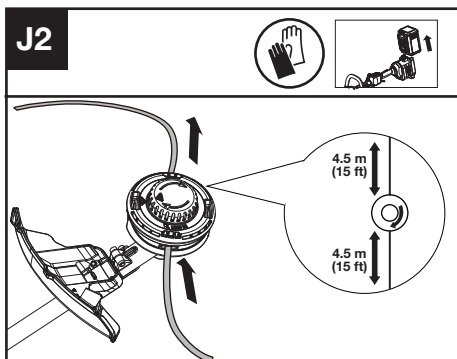
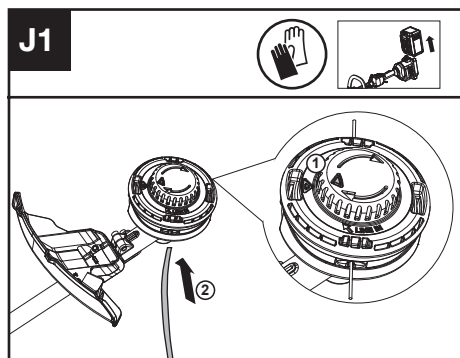
**!** **UPOZORNĚNÍ! Poškozená nebo uvolněná hlava sekačích nástavců může vibrovat, prasknout, zlomit se nebo se utrhnout ze strunové sekačky, což může mít za následek vážné nebo smrtelné zranění nebo poškození majetku. Před zahájením práce se ujistěte, že je hlava strunové sekačky řádně a bezpečně utažena a v dobrém stavu.**



1. Vložte šestihřanný klíč do otvoru a otáčejte hlavou strunové sekačky, dokud se nezastaví v uzamčené poloze.
2. Potom ji otáčejte po směru hodinových ručiček, abyste ji vyšroubovali a proti směru hodinových ručiček, abyste ji sestavili.

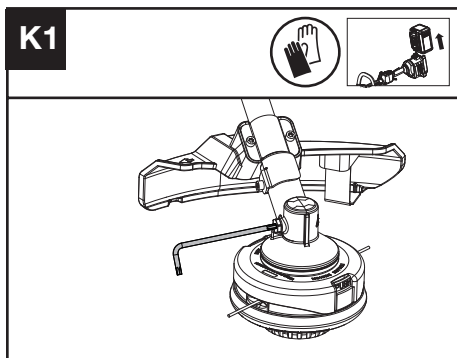
### Navíjení zastříhovače (Viz Obr. J1, J2, J3)

1. Otočte kryt cívký tak, aby byly dvě trojúhelníkové ikony zarovnaný. (Viz obr. J1)
2. Vložte náhradní strunu do očka (Line In) a vyvedte ji ven druhým očkem. Ujistěte se, že oba konce struny jsou na obou koncích hlavy strunové sekačky rovnoměrné (doporučuje se 4.5 m (15 stop)), a strunu ustříhnete. (Viz obr. J2)
3. Otáčením knoflíku ve směru hodinových ručiček navíjete vlasce kolem cívký, dokud na obou stranách nezůstane asi 16 cm (6"). (Viz obr. J3)

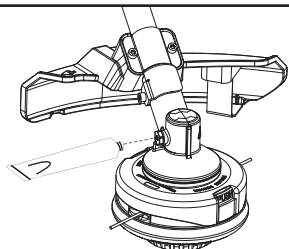


### Mazání převodovky (viz obr. K1, K2)

1. Vyšroubujte šroub na převodovce.
2. Pokud na konci šroubu není mazivo pro kuželové převody, vytlačte do skříně převodovky 5 g maziva (SHELL Gadus S2 V220 1).
3. Šroub znovu nasadte a pevně utáhněte.
4. Nainstalujte baterii a nechte strunovou sekačku běžet 1 minutu, abyste se ujistili, že je převodovka rovnoměrně promazaná.



CZ

**K2**

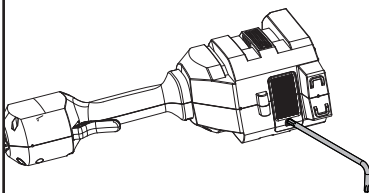
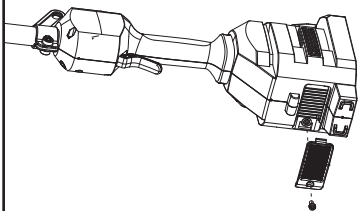
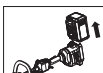
používání.

## ČIŠTĚNÍ

1. Vypněte strunovou sekačku a vyjměte baterii.
2. Nepoužívejte agresivní čisticí prostředky ani rozpouštědla. Přístroj čistěte po použití navlhčeným hadříkem, namočeným v neutrálním čisticím přípravku.
3. Zásuvku udržujte čistou bez cizích látek a čistěte ji měkkým a suchým kartáčem nebo hadříkem.
4. Na motor a elektrické součásti nestříkejte vodu.
5. Na čištění přístroje nepoužívejte vysokotlaký čistič.

## Čištění vzduchového filtru (viz obr. L1, L2)

1. Vyčistěte oblast kolem vzduchového filtru. Použijte vlhký hadřík nebo měkký kartáč.
2. Odšroubujte a vyjměte vzduchový filtr.
3. Omyjte vzduchový filtr tekoucí vodou, abyste odstranili nečistoty.
4. Nechte vzduchový filtr vyschnout na vzduchu. A poté jej nainstalujte do skříně a utáhněte šroub.

**L1****L2**

## SKLADOVÁNÍ

1. Před skladováním ze sekačky vyjměte sadu baterií.
2. Pokud zmokne během použití v dešti, stroj a baterie by měly být vysušeny před skladováním nebo nabíjením. Vyjměte baterie a znovu je vložte, pokud se nezdaří přístroj zapnout.
3. Skladujte na suchém a bezpečném místě, ke kterému nemají přístup děti ani ostatní nepovolané osoby. Pokud nebudete sekací nástavec delší dobu používat, vyjměte jej.
4. Baterii skladujte pouze v teplotním rozmezí od 5 °C (41 °F) do 25 °C (77 °F) . Například nenechávejte baterii ve vozidle v letním období.

## Intervaly údržby

Doporučuje se mazat převodovku a čistit vzduchový filtr každých 50 hodin provozu podle skutečného

# HLEDÁNÍ ZÁVAD

Následující tabulka ukazuje příznaky závad, možnou příčinu a též správnou nápravu, pokud by Vaše zahradní nářadí někdy nefungovalo bezvadně.



**POZOR:** Před hledáním závady zahradní nářadí vypněte a odejměte akumulátor.

## STRUNOVÁ SEKAČKA

Problémy	Možné příčiny	Nápravná opatření
Indikátor baterie LED bliká	Nízké napětí baterie.	Nabijte baterii.
Bliká červená kontrolka LED chyby	Přetížení.	Sekacínástavec je zaseknutý Deaktivujte výrobek. Vyjměte baterii. Vycištěte sekacínástavec od nežádoucích materiálů.
	Problém s teplotou.	Nechte výrobek vychladnout.
	Spoušť plynu a spínač zapnutí/vypnutí jsou stisknuty současně.	Uvolněte spoušť plynu. Znovu proveďte startovací sekvenci.
	Jiné problémy	Obraťte se na servisního pracovníka
Výrobek se nespustí	Nečistoty v konektorech baterie.	Vycištěte konektory baterie stlačeným vzduchem nebo měkkým kartáčem.
	Jiné problémy	Obraťte se na servisního pracovníka.
Strunová sekačka běží přerušovaně.	Baterie není zcela zasunuta do přístroje.	Vložte baterii úplně.
	Možný elektrický problém.	Obraťte se na servisního pracovníka.
Nadměrné vibrace/hluk.	Problém s vyvážením linky.	Přetočte linku.
	Problém se sekacím nástavcem. Vadný stroj.	Vyměňte sekacínástavec. Obraťte se na servisního pracovníka.

CZ

## BATERIE

Problémy	Možné příčiny	Nápravná opatření
Svítil kontrolka LED chyby	Baterie je vybitá	Nabijte baterii. Pokud se baterie nenabíjí, kontaktujte servisního pracovníka
	Problém s teplotou.	Baterii používejte v prostředí s teplotami od -5 °C do 45 °C (23 °F do 113 °F) při nabíjení a od -20 °C do 45 °C (-4 °F do 113 °F) při vybíjení.
	Jiné	Obraťte se na vašeho servisního pracovníka.

## TECHNICKÉ ÚDAJE

Typ: **KC100 KC100.X (1-označení strojního zařízení, zástupce pro akumulátorové sekačky na trávu)**

	<b>KC100 KC100.X **</b>
Napětí	60 V  MAX ***
Rychlost řezání	4200 / 5100 / 5900 rpm
Řezný průměr	42 cm (16.5")
Průměr struny	2.4 / 2.7 mm (0.095" / 0.105") nylonová šňůra

Stupeň ochrany	IPX4
Hmotnost (Holé nářadí)	4.5 kg (9.9 lbs)

\*\* X = 1-999, A-Z, M1-M9 jsou pouze pro různé zákazníky, mezi těmito modely neexistují žádné změny související s bezpečností.

\*\*\* Napětí měřené bez zátěže. Počáteční napětí baterie dosáhne maximálně 60 voltů. Jmenovité napětí je 54 voltů.

## NAVRHOVANÉ BATERIE A NABÍJENÍ

Baterie	Kapacita	Nabíječka baterií	Amperage
KAC804	4.0 Ah	KAC840	30 A
KAC810 (S batohovýmstrojem)	11.0 Ah		

Doporučujeme, abyste si zakoupili své příslušenství u stejného prodejce, u kterého jste zakoupili tento stroj. Podívejte se na obal příslušenství ohledně dalších podrobností. Váš prodejce vám může pomoci a poskytnout radu.

## TECHNICKÉ ÚDAJE AKUMULÁTORU (VOLITELNÉ)

Frekvenční pásma Bluetooth	2400-2483.5 MHz
Maximální přenášený výkon Bluetooth	8 dBm

## KOMBINACE SEKACÍCH NÁSTAVCŮ, DEFLEKTORŮ A NOSNÝCH SYSTÉMŮ

Sekacínástavec	Ochranný kryt proti nečistotám	Bariérová zábrana	Nosný systém
- 4" hlava strunové sekačky (volitelná, není součástí dodávky) - 5" hlava strunové sekačky	- Deflektor s vysokou viditelností - Univerzální deflektor s lištou	- Volitelné	- Ramenní popruh - Batohový bateriovýstroj
- Čepel nože	- Univerzální deflektor bez lišty	- Nutné	

## INFORMACE TÝKAJÍCÍ SE HLUČNOSTI

Měřený akustický tlak  $L_{pA} = 79.7 \text{ dB(A)}$

$K_{pA} = 3 \text{ dB(A)}$

Měřený akustický výkon  $L_{wA} = 94.94 \text{ dB(A)}$

$K_{wA} = 0.59 \text{ dB(A)}$

Používejte ochranu sluchu.



## INFORMACE TÝKAJÍCÍ SE VIBRACÍ

Typická naměřená hodnota vibrací

$a_n = 2,45 \text{ m/s}^2$

Kolisání

$K = 3 \text{ m/s}^2$



**VAROVÁNÍ:** Úroveň vibrací při aktuálním použití elektrického nářadí se může lišit od deklarované hodnoty v závislosti na způsobu, jakým je nářadí používáno, v závislosti na následujících příkladech a na jiných variantách toho, jak je nářadí používáno:

Jak je nářadí používáno a jaké materiály budou řezány nebo vrtány.

Nářadí musí být v dobrém stavu a musí být prováděna jeho řádná údržba.

S nářadím musí být používáno správné příslušenství, a toto příslušenství musí být ostré a v dobrém stavu.

Těsný úchop na rukojetích a kontrola, je-li vůbec použito antivibrační příslušenství.

Toto nářadí může být použito pouze pro určené účely a podle těchto pokynů.

**Není-li toto nářadí používáno odpovídajícím způsobem, může způsobit syndrom nemoci způsobené působením vibrací na ruce a paže obsluhy.**


**VAROVÁNÍ:** Chcete-li být přesní, odhad doby působení vibrací v aktuálních podmínkách při použití tohoto nářadí by měl brát v úvahu také všechny části pracovního cyklu, jako jsou doby, kdy je nářadí vypnuto a kdy je v chodu ve volnoběžných otáčkách, ale ve skutečnosti neprovádí žádnou práci. Doba působení vibrací tak může být během celkové pracovní doby značně zkrácena. Pomozte minimalizovat dobu působení vibrací na obsluhu.


VŽDY používejte ostré sekáče, vrtáky a nože. Provádějte údržbu tohoto nářadí podle těchto pokynů a zajistěte jeho řádné mazání (je-li to vhodné).

Musíte-li toto nářadí používat pravidelně, investujte do antivibračního příslušenství.

Vypracujte si svůj plán práce, abyste působení vysokých vibrací tohoto nářadí rozdělili do několika dnů.

## OCHRANA ŽIVOTNÍHO PROSTŘEDÍ

 Nepotřebné elektrické přístroje by neměly být vyhazovány společně s odpadem z domácnosti.

 Nářadí recyklujte ve sběrných zařízeních k tomuto účelu. O možnostech recyklace se informujte na místních úřadech nebo u prodejce.

## PROHLÁŠENÍ O SHODĚ

MY,  
Positec Germany GmbH  
Postfach 32 02 16, 50796 Cologne, Germany

Jménem společnosti Positec prohlašujeme, že výrobek  
Popis **Akumulátorová sekačka na trávu**  
Typ **KC100 KC100.X (1-označení strojního zařízení, zástupce pro akumulátorové sekačky na trávu)**  
Funkce **sečení trávníků a jiných podobných**

## měkčích rostlin a úpravy okrajů trávníků

splňuje požadavky následujících směrnic,  
**2006/42/EC, 2014/30/EU, 2011/65/EU & (EU)2015/863**  
**2000/14/EC upravená směrnicí 2005/88/EC**

2000/14/EC upravená směrnicí 2005/88/EC:

- Postup posuzování shody podle **Dodatek VI**
- Měřená úroveň akustického výkonu **94.94 dB (A)**
- Deklarovaná zaručená úroveň akustického výkonu **96 dB (A)**

Pověřený úřední orgán

**Název: Intertek Deutschland GmbH**

**(úřední vyhláška 0905)**

**Adresa: Stangenstraße 1, 70771 LEINFELDEN-ECHTERDINGEN**

Použité normy,

**EN 62841-1, FprEN IEC 62841-4-4:2020+FprAA:2021-02, EN 62233, EN ISO 3744, EN IEC 55014-1, EN IEC 55014-2**

Osoba odpovídající za vytvoření technické dokumentace,

**Jméno Marcel Filz**

**Adresa Positec Germany GmbH**

**Postfach 32 02 16, 50796 Cologne, Germany**



2022/12/5

Allen Ding

Zástupce vrchní konstrukční kanceláře,

Testování & Certifikace

Positec Technology (China) Co., Ltd

18, Dongwang Road, Suzhou Industrial

Park, Jianguo 215123, P. R. China

# OBSAH

Úvod.....	170
Zoznam súčastí.....	171
Bezpečnosť výrobku.....	172
Montáž a ovládanie.....	176
Transport.....	179
Údržba .....	180
Čistenie.....	181
Skladovanie.....	181
Riešenie problémov.....	182
Technické údaje.....	183
Ochrana životného prostredia.....	184
SK Vyhlásenie o zhode.....	184

## ÚVOD

Vážení zákazníci,

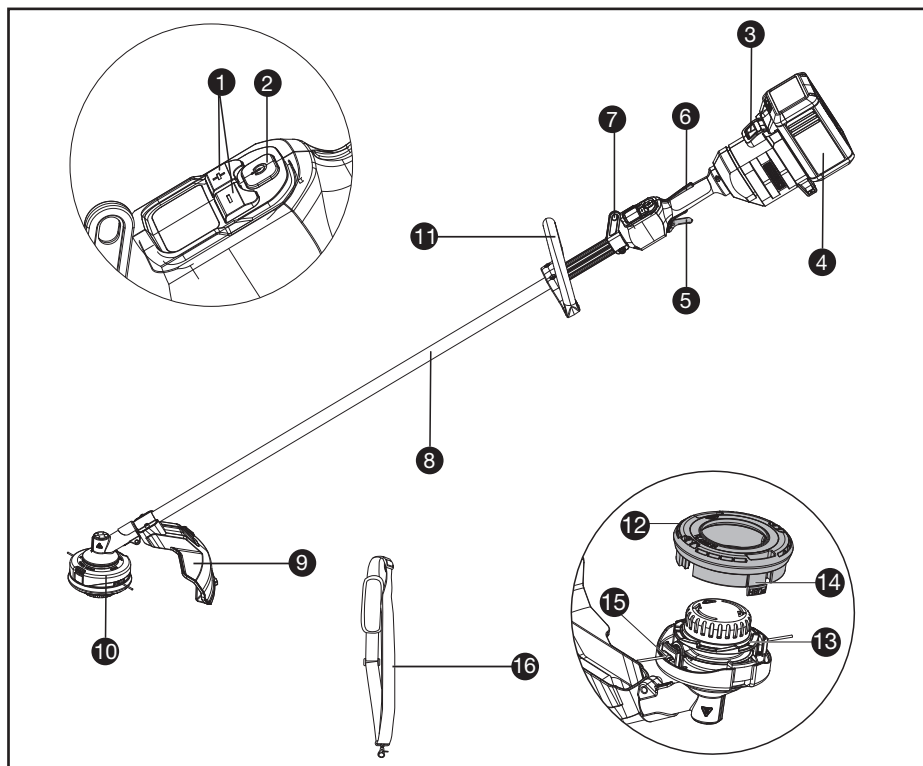
ďakujeme Vám, že ste si kúpili tento výrobok Kress Commercial. Venujeme sa vývoju vysoko kvalitných výrobkov, ktoré vyhovujú vašim komerčným požiadavkám na terénne úpravy.

Značka Kress je synonymom pre prvotriedne služby. Ak budete mať v priebehu celej životnosti vášho výrobku akékoľvek otázky alebo obavy týkajúce sa vášho výrobku, kontaktujte svojho predajcu alebo náš tím zákazníckych služieb so žiadosťou o pomoc.

Sme si istí, že sa vám v nasledujúcich rokoch bude práca s výrobkom Kress páčiť.

## POUŽÍVANIE PODĽA URČENIA

Tento stroj je určený na kosenie trávy a vysokej buriny, ku ktorej sa nedá dostať kosačkou na trávu. Tento stroj sa používa aj na plochách so svahmi, ktoré nie sú vhodné na kosenie.



## ZOZNAM SÚČASTÍ

- |     |                                |
|-----|--------------------------------|
| 1.  | OVLÁDANIE RÝCHLOSTI            |
| 2.  | TLAČIDLO ZAPNÚŤ/VYPNÚŤ         |
| 3.  | UVOLŇOVACÍ TLAČÍTKO BATERIE    |
| 4.  | BATÉRIOVÝ *                    |
| 5.  | ŠKRTIACA KLAPKA                |
| 6.  | SPÍNAČ PRÍTOMNOSTI OPERÁTORA   |
| 7.  | DRŽIAK NA RAMENNÝ POPRUH       |
| 8.  | TYČ                            |
| 9.  | OCHRANNÉHO KRYTU PROTI ÚLOMKOM |
| 10. | JEMNE VYLADENÁ HLAVA           |
| 11. | PREDNEJ RUKOVÄTE               |
| 12. | UZÁVER CIEVKY                  |
| 13. | CIEVKA                         |
| 14. | ZÁPADKA NA UVOLNENIE VIEČKA    |
| 15. | OČKO                           |
| 16. | RAMENNÝ POPRUH *               |

\* Nie všetko zobrazené alebo popisované príslušenstvo je súčasťou štandardnej dodávky.

# PŔVODNÝ NÁVOD NA POUŽITIE BEZPEČNOSŤ VÝROBKU VŠEOBECNÉ BEZPEČNOSTNÉ UPOZORNENIA



**VAROVANIE** Prečítajte si všetky bezpečnostné varovania, pokyny, zoznáme sa s ilustráciami a technickými údajami dodanými s týmto elektrickým náradím. Nedodržanie akýchkoľvek nižšie uvedených pokynov môže mať za následok úraz elektrickým prúdom, vznik požiaru alebo vážneho úrazu.

**Odložte si všetky varovania a inštrukcie pre budúcu potrebu.**

Výraz „elektrické ručné náradie“ vás vo varovaniach odkazuje buď na náradie na elektrický pohon (napájané z elektrickej siete) alebo na akumulátorové náradie (napájané z akumulátora).

## 1) Bezpečnosť na pracovisku

- a) **Udržujte pracovisko čisté a dobre osvetlené.** Pracovisko plné nepotrebných predmetov alebo slabó osvetlené zvyšuje možnosť úrazu.
- b) **Nepoužívajte elektrické ručné náradie v prostredí náchylnom na explóziu, ako napríklad v prítomnosti horľavých tekutín, plynov alebo prachu.** Elektrické ručné náradie vytvára iskry, ktoré môžu vznietiť prach alebo výparu.
- c) **Udržujte deti a prizerajúcich sa v dostatočnej vzdialenosti pri práci s elektrickým ručným náradím.** Strata pozornosti môže viesť k strate kontroly nad náradím.

## 2) Bezpečnosť pri práci s elektrinou

- a) **Prípojky elektrického ručného náradia musia byť zhodné so zástrčkami.** Nemodifikujte prípojku žiadnym spôsobom. Nepoužívajte spolu s uzemneným ručným náradím žiadne adaptérové prípojky, ktoré neumožňujú ochranu uzemnením. Pôvodné prípojky a k nim prislúchajúce zástrčky znižujú riziko úrazu elektrickým prúdom.
- b) **Vyhýbajte sa kontaktu s uzemnenými povrchmi, ako napríklad rúrkami, radiátormi, sporákmi a chladničkami.** Keď je vaše telo spojené s uzemneným predmetom alebo stojí na uzemnenom území, je zvýšené riziko elektrického šoku.
- c) **Zariadenie nepoužívajte v daždi alebo v mokrych podmienkach.** Môže to zvýšiť riziko zásahu elektrickým prúdom. V prípade zvlhnutia počas prevádzky

sa musí zariadenie a batéria vysušiť pred uskladnením alebo nabíjaním. Ak sa zariadenie nepodarí zapnúť, vyberte batériu a znovu ju vložte. Prípojky batérie udržiavajte čisté a na ich čistenie používajte mäkkú a suchú kefku alebo handričku.

- d) **Nezaobchádzajte s káblom prípojky necitlivo. Nikdy si nepriťahujte elektrické ručné náradie k sebe pomocou kábla, neťahajte ho za sebou pomocou kábla a nevytrhávajte kábel zo zástrčky aby ste ručné náradie vypli.** Nevystavujte kábel vysokým teplotám, oleju, ostrým hranám alebo pohyblivým častiam. Poškodené alebo zamotané káble môžu viesť k zvýšenému riziku elektrického šoku.
  - e) **Pri práci s ručným náradím v exteriéri použite predlžovací kábel vhodný na použitie v exteriéri.** Použitím kábla vhodného na použitie v exteriéri redukuje riziko vzniku elektrického šoku.
  - f) **Pokiaľ je práca s ručným náradím vo vlhkých podmienkach nevyhnutná, použite napájanie chránené ističom typu prúdový chránič (RCD).** Použitie RCD ističa redukuje riziko vzniku elektrického šoku.
- ## 3) Osobná bezpečnosť
- a) **Buďte sústredení, sledujte, čo robíte, a pri práci s ručným náradím sa riadte zdravým rozumom.** Nepoužívajte ručné náradie, keď ste unavení alebo pod vplyvom omamných látok, alkoholu alebo liekov. Moment nepozornosti pri práci s ručným náradím môže viesť k vážnemu osobnému zraneniu.
  - b) **Použite osobné ochranné pomôcky.** Vždy noste ochranu očí. Ochranné pomôcky, ako napríklad protiprachová maska, topánky s protišmykovou podrážkou alebo chrániče sluchu použité v príslušných podmienkach pomáhajú redukovat' vážne osobné zranenia.
  - c) **Predíd'te neúmyselnému zapnutiu.** Uistite sa, že prepínač je vo vypnutej pozícii, pred tým, než zapojíte náradie do elektriny a/alebo k akumulátoru, pri zdvihnutí alebo nosení náradia. Nosenie náradia s prstom na prepínači alebo aktívneho náradia, ktoré je zapnuté, zvyšuje možnosť úrazu.
  - d) **Odstráňte akékoľvek nastavovacie kľúče alebo kľúče na matice a skrutky pred tým, než zapnete ručné náradie.** Nastavovací alebo iný kľúč ponechaný pripavený na rotujúcej časti ručného náradia môže spôsobiť osobný úraz.
  - e) **Nepreceňujte sa. Udržujte si stabilitu a pevnú zem pod nohami za každých podmienok.** Umožňuje vám to lepšiu kontrolu nad ručným náradím v neočakávaných situáciách.

- f) Oblečte sa náležite. Nenoste voľné oblečenie alebo šperky. Svoje vlasy a voľné oblečenie držte mimo dosahu pohyblivých častí.** Voľné oblečenie, šperky alebo dlhé vlasy sa môžu do pohyblivých častí zachytiť.
- g) Pokiaľ sú zariadenia nastavené na spojenie so zariadeniami na zachytávanie a extrakciu prachu, uistite sa, že sú náležite využitú a pripojené.** Použitím zberača prachu redukuje riziká spojené s prachom.
- h) Nedovoľte, aby ste vďaka skúsenostiam získaným častým používaním elektrického náradia prestali dodržiavať základy bezpečného použitia.** Neopatrný úkon môže spôsobiť vážny úraz v priebehu zlomku sekundy.
- 4) Použitie a údržba ručného náradia**
- a) Nepreťažujte ručné náradie. Použite správne ručné náradie na danú činnosť.** Správne ručné náradie spraví prácu lepšie a v medziach, na ktoré bolo navrhnuté.
- b) Nepoužívajte ručné náradie, pokiaľ sa prepínač neprepína medzi zapnutím a vypnutím.** Akékoľvek ručné náradie, ktoré nie je kontrolovateľné prepínačom, je nebezpečné a musí byť opravené.
- c) Pred akýmkoľvek nastavením, výmenou násad alebo uskladnením elektrického náradia vyťahnite sieťovú zástrčku zo zásuvky alebo, ak to bude možné, vyťahnite akumulátor.** Takéto preventívne bezpečnostné opatrenia redukovujú riziko náhodného zapnutia ručného náradia.
- d) Keď ručné náradie nepoužívate, skladujte ho mimo dosahu detí a nedovoľte osobám, ktoré nemajú skúsenosti s prácou s ručným náradím alebo neboli oboznámené s týmito inštrukciami, dotýkať sa náradia.** Ručné náradie je nebezpečné v rukách netrénovanej osoby.
- e) Vykonávajte pravidelnú údržbu elektrického náradia a príslušenstva. Skontrolujte chybné pripojenia alebo spojenia pohyblivých častí, zlomené časti alebo iné okolnosti, ktoré by mohli ovplyvniť funkčnosť ručného náradia. Pri poškodení musí byť pred použitím najprv elektrické ručné náradie opravené. Mnoho úrazov vzniká preto, že je elektrické ručné náradie zle udržiavané.**
- f) Udržujte rezacie nástroje ostré a čisté.** Náležite udržiavané rezacie nástroje s ostrými rezacími hranami sú menej náchylné na „zaseknutie“ a sú ľahšie ovládateľné.
- g) Používajte elektrické náradie v súlade týmito pokynmi, berte pritom do úvahy pracovné podmienky a druh**

**vykonávanej práce.** Ak sa elektrické náradie používa na iné účely, než na čo je určené, môže dochádzať k nebezpečným situáciám.

- h) Rukoväte a povrchy držiadiel udržiavajte suché, čisté, bez mazív a tukov.** Šmyklavé rukoväte a držiadla neumožňujú bezpečnú manipuláciu a obsluhu náradia v neočakávaných situáciách.
- 5) Používanie a starostlivosť o batériové elektrické náradie**
- a) Nabíjajte iba nabíjačkou určenou výrobcom.** Nabíjačka, ktorá je vhodná na jeden typ bloku batérií, môže pri použití s iným typom batérií spôsobiť požiar.
- b) Elektrické náradie používajte iba s určeným typom bloku batérií.** Použitie akéhokoľvek iného typu batérií môže zvýšiť riziko zranenia a požiaru.
- c) Ak sa blok batérií nepoužíva, neukladajte ho do blízkosti iných kovových predmetov, ako sú sponky na papier, mince, kľúče, klince, skrutky alebo iné drobné kovové predmety, ktoré by mohli skratovať kontakty.** Skratovanie kontaktov batérie môže viesť k popáleninám alebo vzniku požiaru.
- d) Pri nesprávnom používaní môže z batérie vystreknúť kvapalina; vyhýbajte sa styku s ňou. Ak dôjde k styku kvapaliny s pokožkou, opláchnite zasiahnuté miesto vodou. Ak sa kvapalina dostane do očí, ihneď vyhľadajte lekársku pomoc. Kvapalina, ktorá unikla z batérie, môže spôsobiť podráždenie a poleptanie.**
- e) Akumulátor alebo náradie, ktoré je poškodené alebo upravené, nepoužívajte.** Poškodené alebo upravené akumulátory môžu mať nepredvídateľné chovanie s následkom požiaru, explózie alebo s nebezpečenstvom úrazu.
- f) Akumulátor alebo náradie nevyhadzujte do ohňa alebo ho nevystavujte nadmerným teplotám. Pri vhození do ohňa alebo vystavení teplote nad 130 ° C môže dôjsť k explózii.**
- g) Dodržiavajte všetky pokyny pre nabíjanie a akumulátor alebo náradie nenabíjajte mimo teplotný rozsah špecifikovaný v tomto návode.** Nesprávne nabíjanie alebo nabíjanie pri teplotách mimo špecifikovaný rozsah môže poškodiť akumulátor a zvýšiť riziko požiaru.
- 6) Servis**
- a) Servisné práce na náradí nechajte vykonať kvalifikovaných pracovníkov s použitím originálnych náhradných dielov.** Výsledkom bude trvalá bezpečnosť pri práci s elektrickým náradím.
- b) Poškodené akumulátory nikdy neopravujte.** Servis akumulátorov by mal byť prevedený iba výrobcom alebo autorizovaným

## BEZPEČNOSTNÉ VÝSTRAHY TÝKAJÚCE SA KROVINOREZU A KROVITEJ PÍLY

**b) Dôkladne skontrolujte priestor, kde sa má stroj použiť, či sa tam nenachádzajú zvieratá.** Pri prevádzke stroja by mohlo dôjsť k ich poraneniu.

**c) Dôkladne skontrolujte priestor, kde sa má stroj použiť, a odstráňte všetky kamene, palice, dróty, kosti a iné cudzie predmety.** Odletujúce predmety by mohli spôsobiť zranenia osôb.

**d) Pred použitím stroja vždy vizuálne skontrolujte, či orezávač, nôž alebo ich zostavy nie sú poškodené.** Poškodené súčasti zvyšujú riziko zranenia.

**e) Dodržiavajte pokyny na výmenu príslušenstva.** Nesprávne utiahnuté matice alebo skrutky upevňujúce nôž môžu spôsobiť poškodenie noža alebo viesť k jeho uvoľneniu.

**c) Menovité rotačné otáčky noža sa musia rovnať aspoň maximálnym rotačným otáčkam vyznačeným na tomto stroji.**

Nože môžu pri vyšších otáčkach, ako sú menovité otáčky, prasknúť a rozpadnúť sa.

**g) Používajte ochranu očí, uší, hlavy a rúk.** Správna ochranná výbava znižuje riziko osobných zranení odletujúcimi čiastočkami alebo náhodným kontaktom s žacím lankom alebo nožom.

**h) Pri práci so strojom vždy používajte bezpečnostnú obuv. Stroj nepoužívajte, keď ste bosí alebo máte obuté otvorené sandále.** Znížite tým riziko poranenia nôh z dôvodu kontaktu s pohybujúcim sa orezávačom, lankom alebo nožom.

**l) Pri práci so strojom majte vždy oblečené dlhé nohavice.** Odhalené časti pokožky zvyšujú pravdepodobnosť poranenia od odletujúcich predmetov.

**j) Okolostojace osoby sa musia zdržiavať ďalej od stroja.** Odletujúce čiastočky môžu spôsobiť vážne poranenia osôb.

**k) Na prácu so strojom vždy používajte obidve ruky.** Držaním stroja oboma rukami sa vyhnete strate kontroly nad ním.

**l) Stroj držte len za izolované úchopové povrchy, pretože orezávač alebo nôž by mohli prísť do kontaktu so skrytými elektrickými vodičmi.** Keď sa žacie lanko alebo nôž dostane do kontaktu s vodičom pod „napätím“, kovové časti stroja sa môžu dostať pod „napätie“ a obsluhujúca osoba by mohla utrieť úraz elektrickým prúdom.

**m) Vždy zachovajte správny postoj a so strojom pracujte len keď stojíte na zemi.** Klzké alebo nestabilné povrchy môžu spôsobiť stratu rovnováhy alebo kontroly nad

strojom.

**n) Stroj nepoužívajte na príliš strmých svahoch.** Znižujete tým riziko straty kontroly, pošmyknutia alebo pádu, čo by mohlo viesť k osobným zraneniam.

**o) Pri práci na svahoch vždy skontrolujte svoje postavenie. Vždy pracujte smerom cez svah, nikdy nie smerom nadol alebo nahor a pri zmene smeru buďte mimoriadne opatrní.** Znižujete tým riziko straty kontroly, pošmyknutia alebo pádu, čo by mohlo viesť k zraneniam.

**p) Pri používaní stroja držte všetky časti tela dostatočne ďaleko od orezávača, lanka alebo noža. Skôr ako stroj naštartujete, uistite sa, že orezávač, lanko ani nôž nie sú v kontakte s ničím.**

Aj malá nepozornosť pri obsluhu stroja môže viesť k poraneniu seba alebo iných.

**q) Stroj nepoužívajte nad výškou pása.** Pomôže to predchádzať neúmyselnému kontaktu s orezávačom alebo nožom a umožňuje lepšie ovládanie stroja v neočakávaných situáciách.

**r) Pri rezaní napnutých krikov alebo mladých stromčekov dávajte pozor na spätné odpruženie.** Keď sa napätie v drevených vláknoch uvoľní, môžu tieto rastliny udrieť obsluhu a/alebo môžu vytrhnúť stroj spod kontroly.

**s) Pri rezaní krikov a stromčekov buďte zvlášť opatrní.** Tenký materiál môže zachytiť nôž a udrieť smerom k vám alebo vás vyvieť z rovnováhy.

**t) Udržujte kontrolu nad strojom a nedotýkajte sa orezávačov, laniek, nožov ani iných nebezpečných pohyblivých častí, kým s u ešte v pohybe.** Znížite tým riziko poranenia pohyblivými časťami.

**u) Stroj prenášajte s vypnutým motorom a dostatočne ďaleko od vášho tela.** Správne zaobchádzanie so strojom zníži pravdepodobnosť náhodného kontaktu s pohyblivou sa orezávačom, lankom alebo nožom.

**v) Pri prevoze alebo uskladnení stroja vždy nasadte na kovové nože kryt.** Správne zaobchádzanie so strojom zníži pravdepodobnosť náhodného kontaktu s nožom.

**w) Používajte iba náhradné orezávače, lanká a nože špecifikované výrobcom.** Nesprávne náhradné diely môžu zvýšiť riziko poruchy alebo poranenia.

**x) Pri odstraňovaní zaseknutého materiálu alebo opravovaní stroja dbajte na to, aby bol spínač vypnutý a jednotka batérie bola vybatá.** Náhle naštartovanie stroja pri odstraňovaní zaseknutého materiálu alebo ich oprave môže mať za následok závažné zranenie obsluhy.

## PRÍČINY NÁRAZU

# ČEPELE A SÚVISIACE VÝSTRAHY

Náraz čepele je náhly pohyb stroja do strán, dopredu a dozadu, ku ktorému môže dôjsť pri zaseknutí čepele alebo keď sa zachytí o predmet, ako napríklad mladý strom alebo peň stromu. Môže byť dostatočne prudký na vrhnutie stroja a/alebo pilčíka do ľubovoľného smeru s možnou stratou kontroly nad strojom.

Nárazu čepele a s tým spojenému nebezpečenstvu sa dá zabrániť vykonaním správnych bezpečnostných opatrení, ktoré sú uvedené nižšie.

- a) Stroj pevne držte obidvoma rukami a ramená majte v takej polohe, aby odolávali nárazu čepele. Telom zaujmite polohu na ľavej strane stroja. Náraz čepele môže zvýšiť riziko zranenia pri nečakanom pohybe stroja. *Pilčík môže ovládať náraz čepele, ak sú vykonané správne bezpečnostné opatrenia.*
- b) Ak sa čepel ohýba alebo ak z akéhokoľvek dôvodu dôjde k prerušeniu pílenia, stroj vypnite a podržte ho nehybne v materiáli, až kým sa čepel úplne nezastaví. Keď je čepel ohnutá, nepokúšajte sa stroj vyberať z materiálu alebo ho ťahať dozadu, pokiaľ je čepel v pohybe, inak môže dôjsť k nárazu čepele. *Zistíte príčinu a vykonajte nápravné opatrenie na jej odstránenie.*
- c) **Nepoužívajte tupé ani poškodené čepele.** *Tupé alebo poškodené čepele zvyšujú riziko zovretia alebo zachytenia o predmet, čo má za následok náraz čepele.*
- d) **Pílený materiál vždy udržiavajte dobre viditeľný.** *Náraz čepele je pravdepodobnejší na miestach, kde je pílený materiál nedostatočne viditeľný.*
- e) **Ak sa k vám počas obsluhovania stroja priblíži iná osoba, stroj vypnite.** *Existuje zvýšené riziko zranenia iných osôb spôsobené nárazom čepele pri jej zovretí, pokiaľ je v pohybe.*

## BEZPEČNOSTNÉ VAROVANIA TÝKAJÚCE SA BATÉRIÍ

- a) **Nepokúšajte sa demontovať, rozoberať alebo rozrezávať batérie alebo jej články.**
- b) **Batériu neskratujte.** Neukladajte batérie náhodne v škatuliach alebo v zásuvkách, kde by mohlo dôjsť k ich vzájomnému skratovaniu alebo k skratovaniu spôsobenému inými predmetmi. Ak sa batéria nepoužíva, udržiujte ju v bezpečnej vzdialenosti od sponiek na papieri, minci, kľúčov,

klinčov, skrutiek alebo iných malých kovových predmetov, ktoré môžu spôsobiť prepojenie kontaktov batérie. Skratovanie kontaktov batérie môže spôsobiť popáleniny alebo požiar.

- c) **Nevystavujte batériu pôsobeniu tepla alebo ohňa.** Vyvarujte sa skladovania batérií na otvorenom slnku.
- d) **Nevystavujte batériu mechanickým rázom.**
- e) **Ak dôjde k úniku kvapaliny z batérie, zabráňte tomu, aby sa táto kvapalina dostala do kontaktu s pokožkou alebo aby zasiahla oči.** Ak dôjde k takému kontaktu, zasiahnuté miesto umyte značným množstvom vody a vyhľadajte lekárske ošetrenie.
- f) **Udržiujte batérie čisté a suché.**
- g) **Ak sú svorky batérie znečistené, utrite ich čistou a suchou handričkou.**
- h) **Batéria musí byť pred použitím nabitá.** **Vždy postupujte podľa uvedených pokynov a používajte správny postup nabíjania.**
- i) **Nenechávajte batériu nabíjať, ak nebude batéria použitá.**
- j) **Po dlhodobom uložení budete možno musieť vykonať niekoľko cyklov nabíjania a vybíjania, aby batéria dosiahla svoj maximálny výkon.**
- k) **Vykonávajte nabíjanie iba v nabíjačke, ktorá je špecifikovaná spoločnosťou Kress.** **Nepoužívajte inú nabíjačku, než je nabíjačka špeciálne dodaná na použitie s týmto zariadením.**
- l) **Nepoužívajte žiadnu batériu, ktorá nie je určená na použitie s týmto zariadením.**
- m) **Ukladajte batérie mimo dosahu detí.**
- n) **Uchovajte originálnu dokumentáciu k tomuto výrobku na budúce odkazy.**
- o) **Ak sa zariadenie nepoužíva, vyberte z neho batériu.**
- p) **Vykonávajte riadnu likvidáciu batérie.**
- q) **V zariadení nekombinujte batérové články rôzneho dátumu výroby, kapacity, veľkosti alebo typu.**
- r) **Batériu uchovávajte ďalej od mikrovlnných rúr a zariadení pod vysokým tlakom.**









SK

## POŽIADAVKY NÁVODU NA OBSLUHU PRE BEZDRÔTOVÝ VÝROBOK

- a) **Prevádzka tohto zariadenia podlieha nasledujúcim dvom podmienkam:**
  - (1) Toto zariadenie nesmie spôsobovať škodlivé rušenie a

(2) Toto zariadenie musí akceptovať akékoľvek prijateľné rušenie, vrátane rušenia, ktoré môže spôsobiť nežiaducu činnosť.

- b) Pozor: Zmeny alebo úpravy tohto zariadenia, ktoré nie sú výslovne schválené stranou zodpovednou za zhadu, môžu zrušiť oprávnenie používateľa prevádzkovať toto zariadenie.
- c) **POZNÁMKA:** Toto zariadenie generuje, používa a môže vyžarovať rádiový frekvenčnú energiu a ak nie je nainštalované a používané v súlade s pokynmi, môže spôsobiť škodlivé rušenie rádiový komunikácie. Neexistuje však žiadna záruka, že pri konkrétnej inštalácii nedôjde k rušeniu. Ak toto zariadenie spôsobuje škodlivé rušenie rádiového alebo televízneho príjmu, čo sa dá zistiť vypnutím a zapnutím zariadenia, používateľovi sa odporúča, aby sa pokúsil napraviť rušenie jedným alebo viacerými z nasledujúcich opatrení:
- Presmerujte alebo premiestnite prijímaciu anténu.
  - Zväčšite vzdialenosť medzi zariadením a prijímačom.
  - Zapojte zariadenie do zásuvky v inom okruhu, než ku ktorému je pripojený prijímač.
  - Požiadajte o pomoc predajcu alebo skúseného rádio/TV technika.


	VÝSTRAHA – Pred údržbou odpojte batériu
	Noste ochranné okuliare
	Elektrické výrobky sa nesmú likvidovať spolu s domácim odpadom. Recyklujte v zberných miestach na tento účel zriadených. O možnosti recyklácie sa informujte na miestnych úradoch alebo u predajcu.
	Akumulátor Li-Ion. Tento výrobok bol označený symbolom "triedený odpad" pre všetky jednotlivé a zložené akumulátory. Preto musí byť s ohľadom vplyvu na životné prostredie po doslúžení recyklovaný alebo demontovaný. Akumulátory obsahujú nebezpečné látky, preto môžu byť nebezpečné pre životné prostredie a ľudské zdravie.
	Nevystavujte ohňu
	Akumulátory sa môžu pri nesprávnom spôsobe likvidácie dostať do systému kolobehu vody, čo môže ohroziť vlastný ekosystém. Doslúžili akumulátory nelikvidujte ako zmesový komunálny odpad.
	Pred výmenou príslušenstva zaistíte, aby bola z náradia vybratá batéria.
	Kosenie trávnikov

SK

## SYMBOLY

	S cieľom znížiť nebezpečenstvo vzniku zranenia je potrebné prečítať si túto príručku.
	Noste prostriedky na ochranu očí, uší a hlavy.
	Noste protišmykovú obuv.
	VÝSTRAHA – Vzdialenosť medzi strojom a okolostojacimi by mala byť najmenej 15 m (50 ft).
	VÝSTRAHA – Dávajte pozor na odletujúce predmety.
	VÝSTRAHA – Dajte si pozor na prítlak čepele
	Nepoužívajte kovové nože.

## MONTÁŽ A OBSLUHA

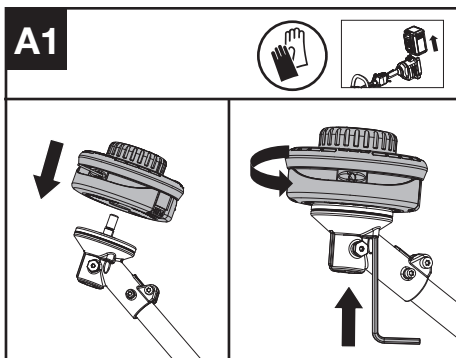
 **POZNÁMKA:** Pred tým, ako náradie použijete, prečítajte si návod na použitie.

 **PRED POUŽITÍM:**

**Nasad'te rezáciu hlavu. (Pozrite si obr. A1)**

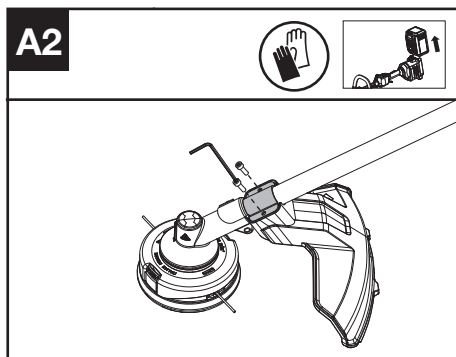


Nasaďte rezaciu hlavu. Vložte šesťhranný kľúč do otvoru a otáčajte vyžínaciu hlavou, kým sa nezastaví v uzamknutej polohe.

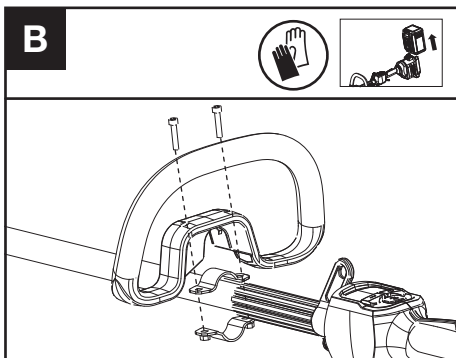


### Montáž ochranného krytu proti úlomkom (Pozrite si obr. A2)

1. Na vyžínaciu hlavu namontujte správny kryt proti úlomkom.
2. Zaisťte kryt na mieste pomocou skrutky a kľúča typu torx.



### Montáž prednej rukoväte (Pozrite si obr. B)

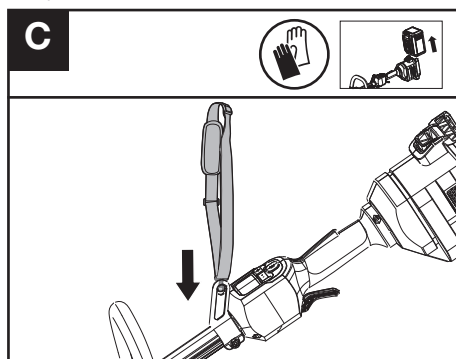


1. Na hriadeľ pripojte prednú rukoväť a spodnú svorku.
2. Vložte skrutku cez otvory.
3. Uťahnite prednú rukoväť.

**VAROVANIE:** Nastavte prednú rukoväť podľa potreby tak, aby ste mali pri používaní vyžínača rovné predné rameno.

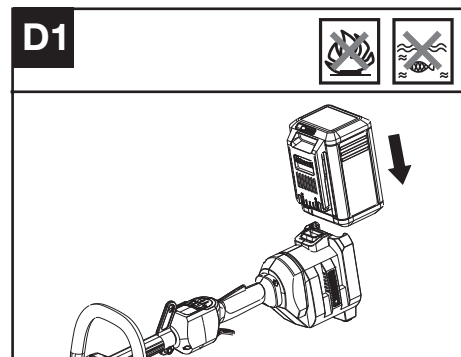
### Zostavenie remienka na plece (Predáva sa samostatne)(Pozrite si obr. A2)

1. Upravte dĺžku ramenného popruhu.
2. Pripojte karabínu ramenného popruhu príslušenstva k upevňovaciemu bodu na hriadeľi vyžínača.

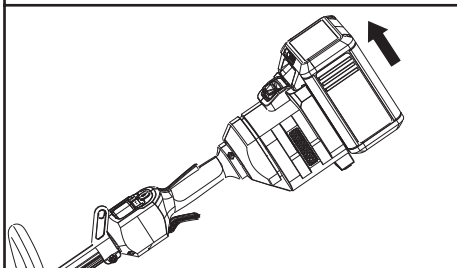


### Vloženie A Vybratie Batérie (Pozri obr. D1, D2)

1. Zasuňte batériu do priehradky na batériu.
2. Na batérie nájdite západky a ich zatlačením uvoľníte jednotku batérie z náradia.

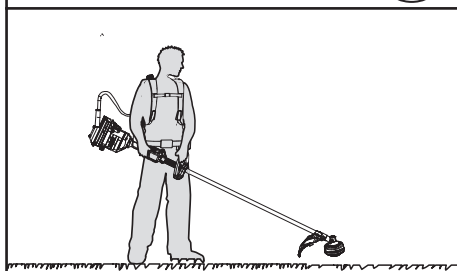


SK

**D2**

### Spojenie s popruhom na batoh (Pozrite si obr. D3)

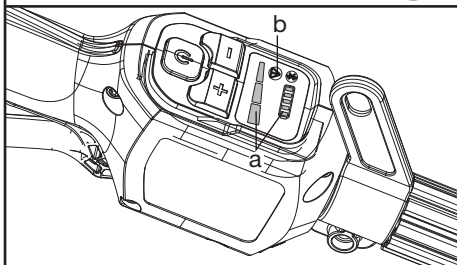
Vyžinač sa môže spojiť s prídavnými popruhmi batohu (nie je súčasťou dodávky). Viac podrobností nájdete v príručke k popruhom batohu.

**D3**

### TESTOVANIE VYŽINAČA A BATÉRIE (POZRITE SI OBR. E)

#### Kontrola ovládania Spínač prítomnosti operátora a škrtiaca klapka

1. Odstráňte batériu.
2. Skúste stlačiť škrtiacu klapku. Ak je možné stlačiť škrtiacu klapku bez stlačenia spínača prítomnosti operátora, spínač prítomnosti operátora je poškodený. Vyžinač prestaňte používať a kontaktujte servisného zástupcu.
4. Najprv podržte a stlačte spínač prítomnosti operátora, potom stlačte škrtiacu klapku.
5. Uvoľnite škrtiacu klapku a spínač prítomnosti operátora. Ak sa škrtiaca klapka alebo spínač prítomnosti operátora zaseknú a nemôžu sa vrátiť do pôvodnej polohy. Vyžinač prestaňte používať a kontaktujte servisného zástupcu.

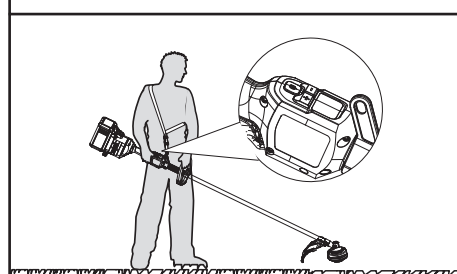
**E**

### Kontrola displeja

1. Vložte batériu.
2. Podržte a stlačte vypínač zapnutia/vypnutia. Výrobok je zapnutý, keď svieti LED kontrolka (a). Výrobok je vypnutý, keď LED kontrolka (a) nesvieti.
3. Najprv stlačte spínač prítomnosti operátora a potom stlačte škrtiacu klapku, aby ste stroj spustili. Vyžinacia hlavica sa otáča.
4. Ak sa rozsvieti alebo bliká výstražný indikátor (b), riešenia nájdete v časti **Riešenie problémov**.
5. Pustite škrtiacu klapku. Vyžinacia hlavica sa za krátko prestane otáčať. Ak sa vyžinacia hlavica naďalej otáča, vyberte batériu a obráťte sa na servisného zástupcu.

### PREVÁDZKA:

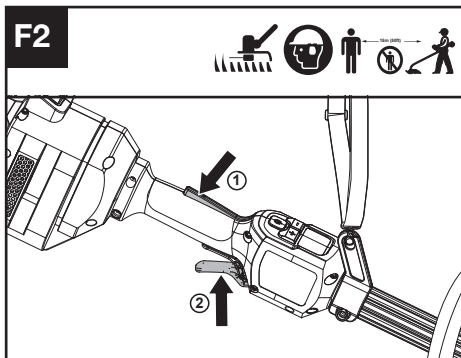
#### Spustenie vyžinača (Pozrite si obr. F1, F2)

**F1**

1. Vyžinač držte pevne pravou rukou na ovládacej rukoväti – palec obtočte okolo rukoväte. Vyžinač držte ľavou rukou na prídavnej rukoväti – palec obtočte okolo rukoväte.
2. Podržte a stlačte vypínač zapnutia/vypnutia, kým sa nerozsvieti zelená LED kontrolka. Zelená LED kontrolka ukazuje úroveň výkonu.
3. Najprv stlačte spínač prítomnosti operátora a potom stlačte škrtiacu klapku, aby ste stroj spustili. Zelená LED kontrolka pre zapnutie/vypnutie zhasne po 5 sekundách, ak sa nepoužíva ako bezpečnostný postup. Keď

nesekáte, jednotka zostane zapnutá, ak podržíte spínač prítomnosti operátora stlačený bez obsluhy stroja. Ak zelená LED kontrolka zhasne, výrobok bude potrebné reštartovať.

**POZNÁMKA:** Spínač prítomnosti operátora je navrhnutý tak, aby zabránil náhodnej prevádzke. Keď stlačíte spínač prítomnosti operátora, uvoľní sa škrtiaca klapka.



## Výber rýchlostis

V závislosti od aplikácie je možné nastaviť 3 úrovne výkonu. Na ovládanie rýchlosti použite +/- LED kontrolky indikujú zvolený stupeň rýchlosti. Čím vyššia je úroveň výkonu, tým rýchlejšie môže rezací nástavec pracovať.

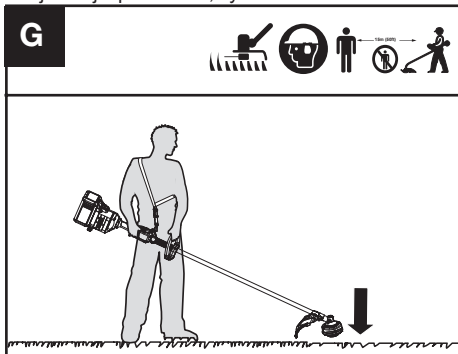
## Zastavenie vyžinača

Ak chcete stroj zastaviť, uvoľníte škrtiacu klapku.

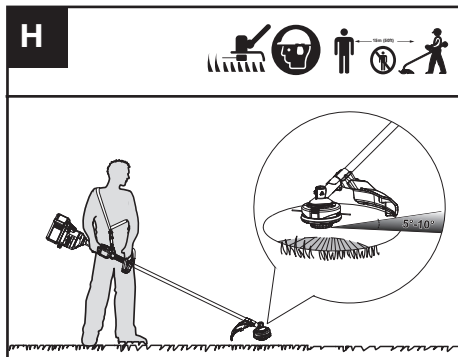
**VAROVANIE!** Hlava kosačky pokračuje v otáčaní ešte chvíľu po zastavení kosačky. Počkajte preto, pokým nedôjde k úplnému zastaveniu kosačky, a potom ju odložte.

## Systém na kŕmenie hrboliek (Pozri obr. G)

Zastrihávač je vybavený systémom nárazníkovej linky. Kedykoľvek sa dotknete hlavy zastrihávača, keď je stroj v prevádzke, vydá sa nová linka.



## Tipy na strihanie (Pozri obr. H)



1. Otáčajte zastrihávačom zo strany na stranu cez oblasť, ktorú chcete strihať.
2. Pomocou hrotu vlasca rezača začnite kosiť; strunovú hlavu nekladajte do nasekanej trávy.
3. Drôtené ploty a oplotenie môžu spôsobiť mimoriadne opotrebenie a zlomenie vlasca rezača. Kamenné a tehlové steny, obrubníky a drevo môžu spôsobiť rýchle opotrebovanie.
4. Vyhýbajte sa stromom a kríkom. Kôra stromu, drevené lišty, obklady a stĺpiky plotu sa môžu vlascom rezača ľahko poškodiť.
5. Zvolená úroveň výkonu ovplyvňuje dobu prevádzky batérie. Čím nižšia je úroveň výkonu, tým dlhšia je doba prevádzky. Odporúča sa používať najnižšiu úroveň výkonu, pokiaľ nejde o horšie podmienky rezania.

## Pre akumulátorové náradie

Odporúčaný rozsah okolitej teploty pre vybíjanie je -20 až 45 °C (-4 až 113 °F).

Odporúčený rozsah okolitej teploty pre nabíjací systém v priebehu nabíjania je -5 °C~45 °C (23 °F~113 °F).

## PREPRAVA

### Preprava vyžinača

1. Vypnite vyžinač a vyberte batériu.
2. Pri ručnej preprave vyžinača držte stred hriadeľa s reznou hlavou smerom dozadu a uistite sa, že je stroj rovnobežný so zemou.
3. Pri preprave vyžinača vo vozidle ho zaistíte a umiestnite tak, aby ste zabránili jeho pohybu alebo poškodeniu.

### Preprava batérie

1. Uistite sa, že je batéria v bezpečnom stave.
2. Pri preprave batérie používajte nevodivé obaly.
3. Obsiahnuté lítium-iónové batérie podliehajú požiadavkám legislatívy o nebezpečných tovaroch.

Batérie prepravujte iba vtedy, keď nie je kryt batérie poškodený. Batérie zabalte tak, aby sa v obale nemohli pohybovať.

# ÚDRŽBA



Po použití vždy odpojte od strunovej kosačky batériu.

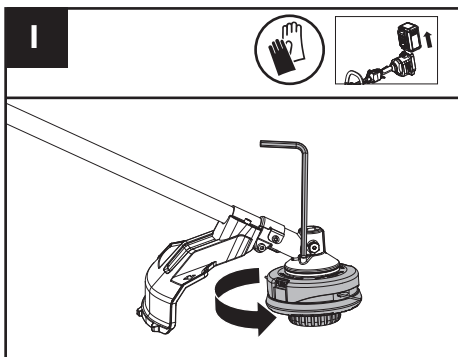
## Výmena vyžínacej hlavice (Pozrite si obr. I)



**VAROVANIE!** Použitie drôtu alebo kovem vystuženého vedenia nie je povolené a môže byť mimoriadne nebezpečné. Používajte iba strunu odporúčanú v tomto návode v kombinácii s odporúčaným krytom proti úlomkom.



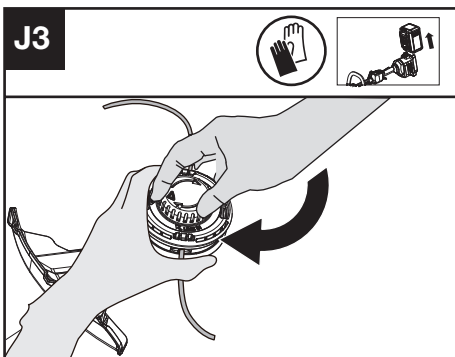
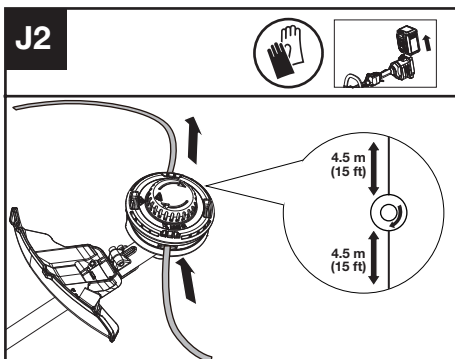
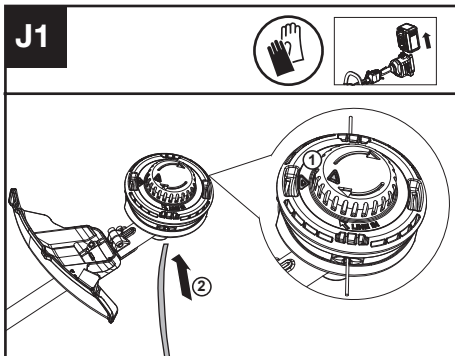
**VAROVANIE!** Poškodená alebo uvoľnená hlavica rezacieho nástavca môže vibrovať, prasknúť, zlomiť sa alebo vypadnúť, čo môže viesť k vážnemu alebo smrteľnému zraneniu alebo poškodeniu majetku. Pred spustením sa uistite, že vyžínacia hlavica je správne a bezpečne utiahnutá a v dobrom pracovnom stave.



1. Vložte šesťhranný kľúč do otvoru a otáčajte vyžínaciu hlavicu, kým sa nezastaví v uzamknutej polohe.
2. Potom ju otočte v smere hodinových ručičiek, ak ju chcete demontovať, a proti smeru hodinových ručičiek, ak ju chcete zmontovať.

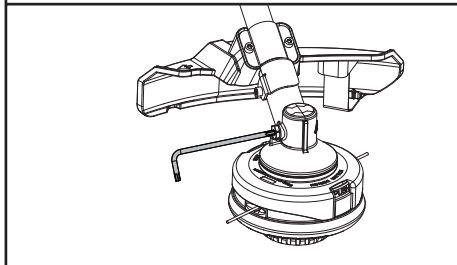
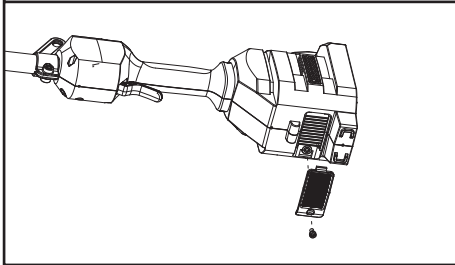
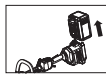
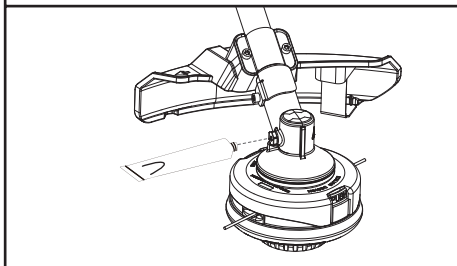
## Zastrihávač vinutia (Pozri obr. J1, J2, J3)

1. Otočte uzáver cievky tak, aby boli dve ikony trojuholníka zarovnané. (Pozrite si obr. J1)
2. Náhradnú strunu vložte cez očko (strunu dnu) a vytiahnite ho cez druhé očko. Uistite sa, že oba konce struny sú na každom konci vyžínacej hlavice rovnomerné (odporúčajú sa 4,5 m (15 stôp)) a strunu odstrihnite. (Pozrite si obr. J2)
3. Otáčajte kolieskom v smere hodinových ručičiek, aby ste namotali strunu okolo cievky, kým na každej strane nezostane asi 16 cm (6"). (Pozrite si obr. J3)



## Mazanie prevodovky (Pozrite si obr. K1, K2)

1. Odstráňte skrutku na prevodovke.
2. Ak na konci skrutky nie je žiadne mazivo pre kuželové ozubené kolesá, vytlačte 5 g maziva (SHELL Gadus S2 V220 1) do prevodovky.
3. Znovu nasadte a pevne utiahnite skrutku.
4. Nainštalujte batériu a spustíte vyžínač na 1 minútu, aby ste sa uistili, že je prevodovka rovnomerne namazaná.

**K1****L2****K2**

## Intervaly údržby

Na základe skutočného používania sa odporúča každých 50 hodín prevádzky prevodovku namazať a vyčistiť vzduchový filter.

## ČISTENIE

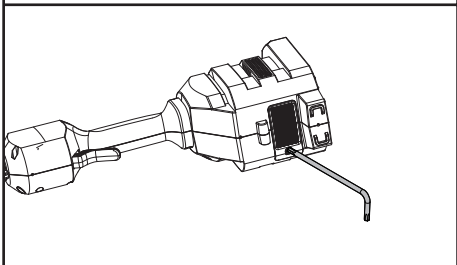
1. Vypnite vyžinač a vyberte batériu.
2. Nepoužívajte agresívne čistiace prostriedky alebo rozpúšťadlá. Po použití stroj očistíte vlhkou handričkou namočenou v neutrálnom čistiacom prostriedku.
3. Udržujte zásuvku bez cudzích predmetov a čistite ju mäkkou a suchou kefou alebo handričkou.
4. Nestriekajte vodu na motor a elektrické komponenty.
5. Na čistenie stroja nepoužívajte tlakový čistič.

## SKLADOVANIE

1. Pred uskladnením vyberte z kosačky batériu.
2. V prípade zvlhnutia počas prevádzky sa musí zariadenie a batéria vysušiť pred uskladnením alebo nabíjaním. Ak sa zariadenie nepodarí zapnúť, vyberte batériu a znovu ju vložte.
3. Kosačku skladujte na suchom a bezpečnom mieste, ktoré je neprístupné deťom a iným neoprávneným osobám. Ak sa rezací nástavec nebude dlhší čas používať, odstráňte ho.
4. Batériu skladujte len pri teplotnom rozsahu medzi 5 až 25 °C (41 až 77 °F). Napríklad nenechávajte batériu v aute v lete.

## Čistenie vzduchového filtra (Pozrite si obr. L1, L2)

1. Vyčistite okolie vzduchového filtra. Použite vlhkú handričku alebo mäkkú kefku.
2. Odskrutkujte a vyberte vzduchový filter.
3. Vzduchový filter umyte tečúcou vodou, aby ste odstránili nečistoty.
4. Vzduchový filter nechajte vyschnúť na vzduchu. Potom ho nainštalujte do puzdra utiahnutím skrutky.

**L1**

SK

# ODSTRAŇOVANIE PROBLÉMOV

V nasledujúcej tabuľke sú uvedené kontroly a činnosti, ktoré môžete vykonať, ak vaše zariadenie správne nefunguje.



**UPOZORNENIE:** Pred riešením akéhokoľvek problému vypnite zariadenie a odpojte batériu.

## VYŽÍNAČ


Problémy	Možné príčiny	Opravné opatrenie
LED kontrolka batérie bliká	Nízke napätie batérie.	Nabite batériu.
Bliká červená chybová LED kontrolka	Preťaženie.	Rezací nástavec je zaseknutý, deaktivujte výrobok. Odstráňte batériu. Vyčistite rezací nástavec od nežiaducich materiálov.
	Problém s teplotou.	Nechajte výrobok vychladnúť.
	Súčasne sa stlačí škrtiaca klapka a vypínač zapnutia/vypnutia.	Pustite škrtiacu klapku. Znovu vykonajte štartovaciu sekvenciu.
	Iné problémy	Kontaktujte servisného zástupcu
Výrobok sa nespustí	Nečistoty v konektoroch batérie.	Vyčistite konektory batérie stlačeným vzduchom alebo mäkkou kefou.
	Iné problémy	Kontaktujte servisného zástupcu.
Vyžínač beží nepravidelne	Batéria nie je úplne vložená do zariadenia.	Úplne vložte batériu.
	Potenciálny elektrický problém.	Kontaktujte servisného zástupcu.
Nadmerné vibrácie/hluk.	Problém s vyvážením struny.	Previňte strunu.
	Problém s upevnením rezu. Stroj je poškodený.	Vymeňte rezací nástavec. Kontaktujte servisného zástupcu.

## BATÉRIA

Problémy	Možné príčiny	Opravné opatrenie
Svieti chybová LED kontrolka	Batéria je vybitá	Nabite batériu. Ak sa batéria nenabíja, kontaktujte servisného zástupcu.
	Problém s teplotou.	Na nabíjanie používajte batériu v prostredí, kde sú teploty medzi -5 až 45 °C (23 až 113 °F); -20 až 45 °C (-4 až 113 °F) na vybitie.
	Iné	Obráťte sa na svojho servisného zástupcu.

# TECHNICKÉ ÚDAJE

Typ: **KC100 KC100.X** (1-označenie zariadenia, zástupca pre akumulátorové kosačky na trávu)

	<b>KC100 KC100.X **</b>
Napätie	60 V  MAX ***
Rýchlosť rezania	4200 / 5100 / 5900 rpm
Priemer kosenia	42 cm (16.5")
Priemer struny	2.4 / 2.7 mm (0.095" / 0.105") nylonový vlasec
Stupeň ochrany	IPX4
Hmotnosť (Holé náradie)	4.5 kg (9.9 lbs)

\*\* X = 1-999, A-Z, M1-M9 sú len pre rôznych zákazníkov, medzi týmito modelmi nie sú žiadne zmeny týkajúce sa bezpečnosti.

\*\*\* Napätie merané bez prevádzkového zaťaženia. Počiatočné nabitie batérie dosahuje maximálne 60 Voltov. Nominálne napätie je 54 Voltov.

## ODPORÚČANÉ BATÉRIE A NABÍJAČKY

Batériový	Kapacita	Nabíjačka	Amperage
KAC804	4.0 Ah	KAC840	30 A
KAC810 (S postrojom na batoh)	11.0 Ah		

Odporúčame, aby ste si príslušenstvo zakúpili u toho istého predajcu, ktorý vám predal prístroj. Ďalšie podrobnosti nájdete na obale príslušenstva. Váš predajca vám môže pomôcť a poradiť.

SK

## TECHNICKÉ ÚDAJE PRE BATÉRIU (VOLITELNÉ)

Frekvenčné pásma pre Bluetooth	2400-2483.5 MHz
Maximálny prenášaný výkon pre Bluetooth	8 dBm

## KOMBINÁCIE REZACÍCH NADSTAVCOV, DEFLEKTOROV A NOSNÝCH SYSTÉMOV

Rezací nástavec	Kryt proti úlomkom	Bariérová lišta	Nosný systém
- 4" Nastavovacia hlava (voliteľná, nie je súčasťou dodávky) - 5" Nastavovacia hlava	- Deflektor s vysokou viditeľnosťou - Univerzálny deflektor s krytom	- Voliteľné	- Ramenný popruh - Batériový postroj na batoh
- Čepeľ noža	- Univerzálny deflektor bez krytu	- Vyžaduje sa	

# INFORMÁCIE O HLUKU

Meraný akustický tlak	$L_{pA} = 79.7 \text{ dB(A)}$
$K_{pA}$	3 dB(A)
Meraný akustický výkon	$L_{wA} = 94.94 \text{ dB(A)}$
$K_{wA}$	0.59 dB(A)

Používajte ochranu sluchu.



# INFORMÁCIE O VIBRÁCIÁCH

Typická nameraná hodnota vibrácií	$a_n = 2,45 \text{ m/s}^2$
Nepresnosť	$K = 3 \text{ m/s}^2$

**⚠ VÝSTRAHA:** Hodnota emisie vibrácií počas skutočného používania elektrického náradia sa môže odlišovať od deklarovanej hodnoty, a to v závislosti od spôsobu používania náradia a v závislosti od nasledujúcich príkladov odchýlok od spôsobu používania náradia:

Akým spôsobom sa náradie používa a aké materiály budú rezané alebo vrátané.

Náradie je v dobrom stave a je dobre udržiavané.

Používanie správneho príslušenstva v spojení s náradím a zabezpečenie jeho ostrosti a dobrého stavu.

Tesnosť zovretia rukovätí a používanie doplnkov proti vibráciám.

Používanie náradia na podľa konštrukcie určený účel a v súlade s pokynmi.

Toto náradie môže vyvolávať syndróm trasenia rúk a ramien, pokiaľ jeho používanie nie je správnym spôsobom riadené.

**⚠ VÝSTRAHA:** Kvôli presnosti by mal odhad úrovne expozície v skutočných podmienkach používania obsahovať tiež všetky súčasti prevádzkového cyklu, ako sú doby, počas ktorých je náradie vypnuté a počas ktorých beží na voľnobehu, a to mimo skutočného vykonávania práce. Tým môže dôjsť k značnému zníženiu úrovne expozície počas celkového prevádzkového času.

Pomôžte minimalizovať riziko expozície účinkom vibrácií. VŽDY používajte ostré sekáče a čepele.


Náradie udržiavajte v súlade s týmto návodom a

udržiavajte ho dobre namazané (ak je to potrebné).

Ak sa náradie používa často, investujte do príslušenstva zabraňujúceho vibráciám.

Prácu si naplánujte tak, aby ste akékoľvek používanie náradia pri vysokých vibráciách rozdelili na niekoľko dní.

# OCHRANA ŽIVOTNÉHO PROSTREDIA

 Elektrické výrobky sa nesmú likvidovať spolu s domácim odpadom. Recyklujte v zberných miestach na tento účel zriadených. O možnosti recyklácie sa informujte na miestnych úradoch alebo u

predajcu.

# VYHLÁSENIE O ZHODE

MY,

Positec Germany GmbH

Postfach 32 02 16, 50796 Cologne, Germany

V mene spoločnosti Positec vyhlasujeme, že produkt

Popis **Akumulátorová kosačka na trávu**

Typ **KC100 KC100.X (1-označenie zariadenia, zástupca pre akumulátorové kosačky na trávu)**

**Funkcie Kosenie trávnikov a iných podobných mäkkých rastlín a úpravy okrajov trávnikov**

Zodpovedá nasledujúcim smerniciam:

**2006/42/EC, 2014/30/EU**

**2011/65/EU & (EU)2015/863**

**2000/14/EC v novelizácii 2005/88/EC**

2000/14/EC v novelizácii 2005/88/EC:

- Postup vyhodnotenia zhody podľa **Dodatku VI**

- Meraný akustický výkon **94.94 dB (A)**

- Deklarovaný zaručený akustický výkon **96 dB (A)**

Poverený úradný organ

**Názov: Intertek Deutschland GmbH (úradná vyhláška 0905)**

**Adresa: Stangenstraße 1, 70771 LEINFELDEN-ECHTERDINGEN**

Splňa posudzované normy,

**EN 62841-1, FprEN IEC**

**62841-4-4:2020+FprAA:2021-02, EN 62233,**

**EN ISO 3744, EN IEC 55014-1, EN IEC 55014-2**

Osoba oprávnená za zostavenie technického súboru,

**Názov Marcel Filz**

**Adresa Positec Germany GmbH**

**Postfach 32 02 16, 50796 Cologne, Germany**



2022/12/5

Allen Ding

Zástupca vrchnej konštrukčnej kancelárie,

Testovanie & Certifikácia

Positec Technology (China) Co., Ltd

18, Dongwang Road, Suzhou Industrial

Park, Jiangsu 215123, P. R. China



# KAZALO VSEBINE

Uvod.....	185
Sestavni deli.....	186
Varnost izdelka.....	187
Sestavljanje in delovanje.....	191
Transport.....	194
Vzdrževanje.....	194
Čiščenje.....	196
Shranjevanje.....	196
Odpravljanje napak.....	197
Tehnični podatki.....	197
Varovanje okolja.....	199
Izjava o skladnosti.....	199

SL

## UVOD

Spoštovana stranka,

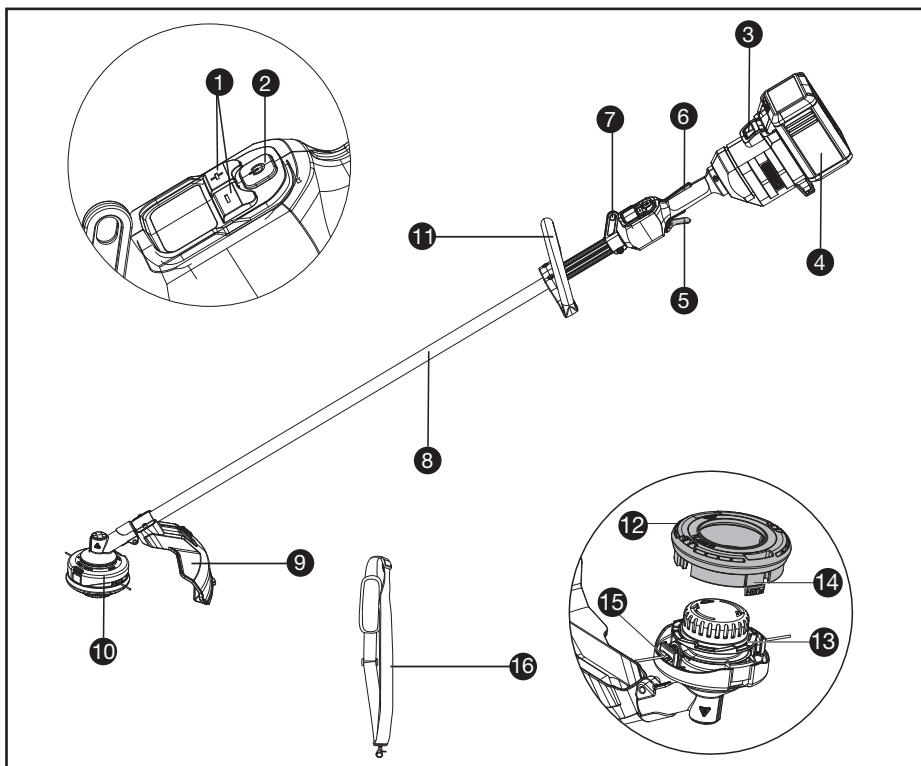
Hvala za nakup tega izdelka Kress Commercial. Predani smo razvoju visokokakovostnih izdelkov, ki ustrezajo vašim zahtevam komercialnega urejanja okolice.

Znamka Kress je sinonim za storitve vrhunske kakovosti. Če imate v času življenjske dobe vašega izdelka kakršna koli vprašanja ali pomisleke glede vašega izdelka, se za pomoč obrnite na svojega prodajalca ali našo skupino za pomoč strankam.

Prepričani smo, da boste z uporabo vašega izdelka Kress uživali še vrsto let.

## NAMEN UPORABE

Ta stroj je namenjen košnji trave in visokega plevela, ki jih s kosilnico ni moč doseči. Ta stroj se prav tako uporablja na območjih s pobočji, ki niso primerna za košnjo.



## SESTAVNI DELI

- |     |   |
|-----|---|
| 1.  | <b>KRMILNIK HITROSTI</b>                  |
| 2.  | <b>STIKALO ZA VKLOP/IZKLOP</b>            |
| 3.  | <b>GUMB ZA SPROSTITEV AKUMULATORJA</b>    |
| 4.  | <b>AKUMULATOR *</b>                       |
| 5.  | <b>SPROŽILEC PLINA</b>                    |
| 6.  | <b>STIKALO PRISOTNOSTI ZA UPRAVLJAVCA</b> |
| 7.  | <b>NASTAVEK ZA NARAMNICO</b>              |
| 8.  | <b>GREDI</b>                              |
| 9.  | <b>ŠČITNIKA ZA OBREZKE</b>                |
| 10. | <b>GLAVA ZA FINO NASTAVITEV</b>           |
| 11. | <b>SPREDNJEGA ROČAJA</b>                  |
| 12. | <b>POKROVČEK MOTKA</b>                    |
| 13. | <b>MOTEK</b>                              |
| 14. | <b>ZAPAH ZA SPROSTITEV POKROVČKA</b>      |
| 15. | <b>OBROČEK</b>                            |
| 16. | <b>NARAMNI PAS *</b>                      |

\* Pri standardni dobavi niso vključeni vsi prikazani dodatki.

# IZVIRNA NAVODILA VARNOST IZDELKA SPLOŠNA VARNOSTNA OPOZORILA



**OPOZORILO** Pred uporabo orodja, pazorno preberite vsa varnostna opozorila, navodila, pregledje ilustracije ter preverite tehnične podatke orodja.

Neupoštevanje opozoril in navodil lahko privede do električnega udara in/ali resnih poškodb.

**Vsa opozorila in napotila shranite, ker jih boste v prihodnje še potrebovali.**

Pojem „električno orodje“, ki se pojavlja v nadaljnjem besedilu, se nanaša na električna orodja z električnim pogonom (z električnim kablom) in na akumulatorska električna orodja (brez električnega kabla).

## 1) Varnost na delovnem mestu

- a) **Delovno področje naj bo vedno čisto in dobro osvetljeno.** Nered in neosvetljena delovna področja lahko povzročijo nezgode.
- b) **Ne uporabljajte električnega orodja v okolju, kjer lahko pride do eksplozij oziroma tam, kjer se nahajajo vnetljive tekočine, plini ali prah.** Električna orodja povzročajo iskenje, zaradi katerega se lahko prah ali para vnameta.
- c) **Prosimo, da med uporabo električnega orodja ne dovolite otrokom ali drugim osebam, da bi se Vam približali.** Odvračanje Vaše pozornosti drugim lahko povzroči izgubo kontrole nad napravo.

## 2) Električna varnost

- a) **Priključni vtikač električnega orodja se mora prilegati vtičnici.** Spreminjanje vtičača na kakršenkoli način ni dovoljeno. Pri ozemljenih električnih orodjih ne uporabljajte vtičačev z adapterji. Nespremenjeni vtičači in ustrezne vtičnice zmanjšujejo tveganje električnega udara.
- b) **zogibajte se telesnemu stiku z ozemljenimi površinami kot so na primer cevi, grelci, štedilniki in hladilniki.** Tveganje električnega udara je večje, če je Vaše telo ozemljeno.
- c) **Stroja ne uporabljajte v dežju ali mokrih pogojih. To lahko poveča nevarnost električnega udara.** Ko se med delovanjem zmočita zaradi dežja, je treba stroj in baterijo pred shranjevanjem ali polnjenjem posušiti. Odstranite baterijo in jo znova vstavite, če se stroj ne vklopi. Priključek za baterijo naj bo čist in brez tujkov, očistite ga z mehko in suho krtačo ali krpo.
- d) **Ne uporabljajte kabla za nošenje ali obešanje električnega orodja in ne vlecite za kabel, če želite vtiakač izvleči iz vtičnice. Kabel zavarujte**

**pred vročino, oljem, ostrimi robovi ali premikajočimi se deli naprave.**

Poškodovani ali zapleteni kabli povečujejo tveganje električnega udara.

- e) **Kadar uporabljate električno orodje zunaj, uporabljajte samo kabelske podaljške, ki so primerni za delo na prostem.** Uporaba kabelskega podaljška, ki je primeren za delo na prostem, zmanjšuje tveganje električnega udara.
  - f) **Če je uporaba električnega orodja v vlažnem okolju neizogibna, uporabljajte stikalo za zaščito pred kvarnim tokom.** Uporaba zaščitnega stikala zmanjšuje tveganje električnega udara.
- ## 3) Osebna varnost
- a) **Bodite pozorni, pazite kaj delate ter se dela z električnim orodjem lotite z razumom. Ne uporabljajte električnega orodja, če ste utrujeni oziroma če ste pod vplivom mamil, alkohola ali zdravil.** Trenutek nepazljivosti med uporabo električnega orodja je lahko vzrok za resne telesne poškodbe.
  - b) **Uporabljajte osebno zaščitno opremo in vedno nosite zaščitna očala.** Nošenje osebne zaščitne opreme, na primer maske proti prahu, nedrsečih zaščitnih čevljev, varnostne čelade ali zaščitnih glušnikov, kar je odvisno od vrste in načina uporabe električnega orodja, zmanjšuje tveganje telesnih poškodb.
  - c) **zogibajte se nenamernemu zagonu. Pred priključitvijo električnega orodja na električno omrežje in/ali na akumulator in pred dviganjem ali nošenjem se prepričajte, če je električno orodje izklopljeno.** Prenašanje naprave s prstom na stikalu ali priključitev vklopljenega električnega orodja na električno omrežje je lahko vzrok za nezgodo.
  - d) **Pred vklopljanjem električnega orodja odstranite nastavitvena orodja ali izvijače.** Orodje ali ključ, ki se nahaja v vrtečem se delu naprave, lahko povzroči telesne poškodbe.
  - e) **Izogibajte se nenormalni telesni drži. Poskrbite za trdno stojišče in za stalno ravnotežje.** Tako boste v nepričakovanih situacijah električno orodje lahko bolje nadzorovali.
  - f) **Nosite primerna oblačila. Ne nosite ohlapnih oblačil in nakita. Poskrbite, da se med delovanjem električnega orodja vaši lasje, oblačila in rokavice, ne bodo ujeli med premikajoče se dele.** Premikajoči se deli orodja lahko zagrabijo ohlapno oblačilo, dolge lase ali nakit.
  - g) **Če ima električno orodje predvideno namestitev enot za odsesavanje prahu ali zbiranje delcev, poskrbite, da bodo te tudi pravilno nameščene in uporabljene.** Če uporabljate enoto za zbiranje delcev, obstaja manjša nevarnost nesreč zaradi prahu.

**h) Upoštevajte, da boste s pogosto uporabo orodja, z njim postali zelo domači, zaradi česar bi lahko ravnali ravnodušno, ter spregledali varnostna pravila za uporabo orodja.** *Nepremišljeno ravnanje lahko že v trenutku nepazljivosti, povzroči resne poškodbe.*

**4) Skrbna uporaba in ravnanje z električnimi orodji**

**a) Ne preobremenjujte naprave. Pri delu uporabljajte električna orodja, ki so za to delo namenjena.** *Z ustreznim električnim orodjem boste v navedenem zmogljivostnem področju delali bolje in varneje.*

**b) Ne uporabljajte električnega orodja s pokvarjenim stikalom.** *Električno orodje, ki se ne da več vklopiti ali izklopiti, je nevarno in ga je potrebno popraviti.*

**c) Pred vsakršnimi prilagoditvami, nastavitvami, menjavanjem priključkov ali shranjevanjem, morate električno orodje izklopiti iz napajanja ali iz njega odstraniti akumulator.** *Ta previdnostni ukrep preprečuje nenameren zagon električnega orodja.*

**d) Električna orodja, ki jih ne uporabljate, shranjajte izven dosega otrok. Osebam, ki naprave ne poznajo ali niso prebrale teh navodil za uporabo, naprave ne dovolite uporabljati.**

*Električna orodja so nevarna, če jih uporabljajo neizkušene osebe.*

**e) Električna orodja in pripomočke redno vzdržujte. Nadzirajte brezhibno delovanje premičnih delov orodja, ki se ne smejo zatikati. Če so ti deli zlomljeni ali poškodovani do te mere, da ovirajo delovanje električnega orodja, jih je potrebno pred uporabo orodja popraviti.** *Slabo vzdrževana električna orodja so vzrok za mnoge nezgode.*

**f) Rezalna orodja vzdržujte tako, da bodo vedno ostra in čista.** *Skrbno negovana rezalna orodja z ostrimi robovi se manj zatikajo in so lažje vodljiva.*

**g) Električna orodja, pribor, vsadna orodja in podobno uporabljajte ustrezno tem navodilom. Pri tem upoštevajte delovne pogoje in dejavnost, ki jo boste opravljali.** *Uporaba električnih orodij v namene, ki so drugačni od predpisanih, lahko privede do nevarnih situacij.*

**h) Poskrbite, da bodo ročaji in ostale prijemalne površine, vedno suhi, čisti in brez ostankov olj ali masti.** *Če pride do nepredvidenih situacij, vam spolzki ročaji in prijemalne površine ne zagotavljajo varnega rokovanja in nadzora nad orodjem.*

**5) Skrbno ravnanje in uporaba akumulatorskih orodij**

**a) Akumulatorske baterije polnite samo v polnilnikih, ki jih priporoča proizvajalec. Polnilnik, ki je namenjen**

*določeni vrsti akumulatorskih baterij, se lahko vname, če ga boste uporabljali skupaj z drugačnimi akumulatorskimi baterijami.*

**b) V električnih orodjih uporabljajte le akumulatorske Mbaterije, ki so zanje predvidene.** *Uporaba drugih akumulatorskih baterij lahko povzroči telesne poškodbe ali požar.*

**c) Akumulatorska baterija, katere ne uporabljate, ne sme priti v stik s pisarniškimi sponkami, kovanci, žebliji, vijaki in drugimi manjšimi kovinskimi predmeti, ki bi lahko povzročili premestitev kontaktov.** *Kratek stik med akumulatorskimi kontakti lahko ima za posledico opekline ali požar.*

**d) V primeru napačne uporabe lahko iz akumulatorske baterije izteče tekočina. Izogibajte se kontaktu z njo. Pri naključnem kontaktu s kožo spirajte z vodo.** *Če pride tekočina v oko, dodatno poiščite tudi zdravniško pomoč. Iztekajoča akumulatorska tekočina lahko povzroči draženje kože ali opekline.*

**e) Ne uporabljajte poškodovanih ali prilagojenih akumulatorskih baterij oz. orodij.** *Poškodovane ali prilagojene akumulatorske baterije ali prilagojene akumulatorske baterije se lahko nepredvidljivo obnašajo, kar lahko povzroči požar, eksplozijo ali tveganje za poškodbe.*

**f) Akumulatorske baterije ali orodja ne izpostavljajte ognju previsoki temperaturi. Izpostavljenost ognju ali previsoki temperaturi.** *Izpostavljenost ognju ali vročini nad 130oC lahko povzroči eksplozijo.*

**g) Upoštevajte navodila za polnjenje in ne polnite akumulatorske baterije ali orodja pri temperaturi, ki je izven območja, navedenega v navodilih.** *Če orodje polnite na nepravilen način ali pri temperaturah, ki so izven določenega območja, lahko pride do poškodb akumulatorske baterije, kar poveča tveganje za požar.*

**6) Servisiranje**

**a) Vaše električno orodje naj popravljate le kvalificirano strokovno osebje, ki uporablja originalne nadomestne dele.** *Tako bo zagotovljena predpisana varna uporaba orodja.*

**b) Nikoli ne servisirajte poškodovanih akumulatorjev.** *Poškodovane akumulatorje lahko servisira le proizvajalec ali pooblaščen servisier.*

**VARNOSTNA  
OPOZORILA ZA  
REZALNIK GRMIČEVJA  
IN ŽAGO GRMIČEVJA**

- a) **Stroja ne uporabljajte v slabih vremenskih razmerah, zlasti če obstaja nevarnost udara strele.** S tem se zmanjša tveganje udara strele.
- b) **Območje, kjer boste uporabljali stroj, temeljito preglejte glede divjih živali.** Stroj lahko med delovanjem poškoduje divje živali.
- c) **Temeljito preglejte območje, kjer boste uporabljali stroj in odstranite vse kamne, palice, žice, kosti in druge tujke.** Vrženi predmeti lahko povzročijo telesne poškodbe.
- d) **Pred uporabo stroja, vedno vizualno preglejte ali sta rezalnik ali rezilo ter sklop rezalnika ali rezila poškodovana.** Poškodovani deli povečajo tveganje za poškodbo.
- e) **Za menjavo dodatne opreme sledite navodilom.** Nepravilno prвите pritrdilne matice ali vijaki rezila lahko bodisi poškodujejo rezilo ali povzročijo, da se sname.
- f) **Nazivna hitrost vrtenja rezila mora biti vsaj enaka največji hitrosti vrtenja, označeni na stroju.** Rezila, ki delujejo hitreje od nazivne hitrosti vrtenja, se lahko zlomijo ali odletijo.
- g) **Nosite zaščito za oči, ušesa in roke.** Ustrezna zaščitna oprema bo zmanjšala telesne poškodbe zaradi letočih drobcov ali nenamerne stika z rezalno nitko ali rezilom.
- h) **Pri delu s strojem vedno nosite zaščitno obutev. Stroja ne upravljajte bosí ali v odprtih sandalih.** To zmanjša možnost poškodbe stopal zaradi stika s premikajočim se rezalnikom, nitko ali rezilom.
- i) **Pri delu s strojem vedno nosite dolge hlače.** Izpostavljena koža poveča verjetnost poškodb zaradi vrženih predmetov.
- j) **Med uporabo stroja zadržite stran navzoče osebe.** Vrženi drobci lahko povzročijo hude telesne poškodbe.
- k) **Med uporabo stroja vedno uporabljajte obe roki.** Če stroj držite z obema rokama, se boste izognili izgubi nadzora.
- l) **Stroj držite samo za izolirane prijemalne površine, ker lahko rezalna nitka ali rezilo stopita v stik s skritim ožičenjem.** Rezalna nitka ali rezila, ki pridejo v stik z žico pod napetostjo, lahko povzročijo, da so izpostavljeni kovinski deli stroja pod napetostjo in s tem električni udar operaterja.
- m) **Vedno stojte trdno in s strojem upravljajte le, če stojite na tleh.** Spolzke ali nestabilne površine lahko povzročijo izgubo ravnotežja ali nadzora nad strojem.
- n) **Stroja ne uporabljajte na preveč strmih pobočjih.** To zmanjša tveganje izgube nadzora, zdrsa ali padca, kar lahko povzroči telesne poškodbe.
- o) **Pri delu na pobočjih se vedno prepričajte, da trdno stojite, vedno delajte čez pobočje, nikoli navzgor ali navzdol in bodite zelo previdni pri spreminjanju smeri.** To zmanjša tveganje

izgube nadzora, zdrsa ali padca, kar lahko povzroči telesne poškodbe.

- p) **Ko stroj deluje, držite vse dele telesa stran od rezalnika, nitke ali rezila. Preden zaženete stroj se prepričajte, da se rezalnik, nitka ali rezilo ničesar ne dotikajo.** Trenutek nepazljivosti med upravljanjem stroja lahko povzroči telesne poškodbe vas ali drugih.
- q) **Stroja ne upravljajte nad višino pasu.** To pomaga preprečiti nenameren stik z rezalnikom ali rezilom in omogoča boljši nadzor nad strojem v nepričakovanih situacijah.
- r) **Pri rezanju grmičevja ali mladik, ki so pod napetostjo, bodite pozorni na odboj.** Ko se napetost v lesnih vlaknih sprosti, lahko grm ali mladika zadeneta operaterja in/ali vržeta stroj iz nadzora.
- s) **Pri rezanju grmičevja ali mladik bodite izjemno previdni.** Tanek material se lahko zatakne za rezilo in se zavrti proti vam ali vas vrže iz ravnotežja.
- t) **Ohranite nadzor nad strojem in ne dotikajte se rezalnikov, nitk ali rezil ter drugih nevarnih premičnih delov, ko se še premikajo.** To zmanjša nevarnost telesnih poškodb zaradi premičnih delov.
- u) **Stroj nosite, ko je izklopljen in stran od telesa.** Pravilno ravnanje s strojem bo zmanjšalo verjetnost nenamerne stika s premikajočim se rezalnikom, nitko ali rezilom.
- v) **Pri transportu ali shranjevanju stroja vedno namestite pokrov na kovinska rezila.** Pravilno ravnanje s strojem bo zmanjšalo verjetnost nenamerne stika z rezilom.
- w) **Uporabljajte samo nadomestne rezalnike, nitke rezalne glave in rezila, ki jih je določil proizvajalec.** Nepravilni nadomestni deli lahko povečajo tveganje za zlom ali telesno poškodbo.
- x) **Pri odstranjevanju zagodenega materiala ali servisiranju stroja se prepričajte, da je stikalo izklopljeno in da je baterijski sklop odstranjen.** Nepričakovan zagon stroja med odstranjevanjem zagodenega materiala ali servisiranjem lahko povzroči hude telesne poškodbe.

SL

## VZROKI IN POVEZANA OPOZORILA PRI SUNKU Z REZILOM

Sunek rezila je nenaden premik stroja v stran, naprej in nazaj, do katerega lahko pride, ko se rezilo zatakne ali ujame na predmet, kot je mladika ali štor. To je lahko zelo silovito, da povzroči, da se stroj in/ali upravljavec premakneta v katero koli smer in slednji izgubi nadzor nad strojem. Sunku rezila in z njim povezanimi nevarnostmi se lahko izognete z ustreznimi previdnostnimi ukrepi, ki so navedeni

## spodaj

- a) Ohranite trden oprijem z obema rokama na stroju in roke postavite tako, da se boste uprli sunku rezila. S telesom se postavite na levo stran stroja. Sunek rezila lahko poveča tveganje za poškodbo zaradi nepričakovanega premikanja stroja. Upravljalavec lahko nadzoruje sunek rezila, če upošteva ustrezne previdnostne ukrepe.
- b) Če se rezilo zagozdi, ali če se iz kakršnega koli razloga rezanje zaustavi, izklopite stroj in ga držite nepremično v materialu, dokler se rezilo popolnoma ne zaustavi. Medtem, ko je rezilo zagazeno, stroja nikoli ne poskušajte odstraniti iz materiala ali ga potegniti nazaj. Medtem ko rezilo deluje, v nasprotnem primeru lahko pride do sunka. Preverite in izvedite korektivne ukrepe, da odpravite vzrok za zataknenost rezila
- c) Ne uporabljajte topih ali poškodovanih rezil. Topa ali poškodovana rezila povečajo tveganje za zataknenost ali ujetost na predmet, kar povzroči sunek rezila.
- d) Material, ki ga režete, imejte vedno dobro na očeh. Sunek rezila je verjetnejši na območjih, kjer je težko videti material, ki ga režete.
- e) Če se vam pri uporabi stroja približa druga oseba, ga izklopite. V primeru sunka rezila obstaja povečano tveganje poškodb drugih oseb, ki jih udari sunek premikajočega rezila.
- f) Akumulator shranjujte na čistem in suhem mestu.
- g) Če se akumulatore zamaže, ga takoj očistite s čisto in suho krpo.
- h) Akumulator morate pred uporabo napolniti. Pri polnjenju akumulatorja vedno upoštevajte predpisana navodila in postopke.
- i) Če akumulatore ne polnite, ga odstranite iz polnilca.
- j) Po daljšem obdobju skladiščenja, boste za doseg maksimalne zmogljivosti akumulatorja verjetno morali slednjega nekajkrat napolniti in izprazniti.
- k) Za polnjenje uporabljajte le polnilnike, ki jih je predpisal Kress. Nikoli ne uporabljajte polnilnikov, ki niso posebej namenjeni za polnjenje vašega akumulatorja.
- l) Nikoli ne uporabljajte polnilcev, ki niso posebej zasnovani za polnjenje vašega akumulatorja.
- m) Akumulatorje shranjujte izven dosega otrok.
- n) Za podrobnosti, si oglejte gradivo, ki je bilo priloženo akumulatorju.
- o) Če orodja ne uporabljate, iz njega odstranite akumulatore.
- p) Akumulatorje odlagajte skladno s predpisi.
- q) V napravi ne uporabljajte celic različnih proizvajalcev, zmogljivosti, velikosti ali tipa.
- r) Baterije držite stran od mikrovalov in visokega tlaka.

# VARNOSTNA OPOZORILA ZA AKUMULATOR

- a) Ne razstavlajte, odpirajte ali odstranjujte celice akumulatorja.
- b) Pazite, da ne povzročite kratkega stika med kontaktoma akumulatorja. Akumulatorjev nikoli ne shranjujte v škatli ali predalu, kjer bi lahko prišlo do kratkega stika zaradi stika kontaktov s prevodnimi predmeti. Kadar akumulatore ni nameščen v orodju, ga hranite proč od drugih kovinskih predmetov, kot so sponke za papir, kovanci, ključiči, žebliči, vijaki ali drugi drobni kovinski predmeti, ki bi lahko omogočili stik med kontaktoma. Če pride do stika med kontaktoma akumulatorja, to lahko povzroči požar.
- c) Akumulatorja ne izpostavljajte vročini ali ognju. Poskrbite, da ne bo izpostavljen neposredni sončni svetlobi.
- d) Akumulatorja ne izpostavljajte mehanskim udarcem.
- e) Če opazite, da akumulatore pušča, pazite, da tekočina ne bo prišla v stik z očmi. Če akumulatorska tekočina vseeno pride v stik z očmi, izperite prizadeto območje z obilo vode in

# ZAHTEVES ZA UPORABNIŠKI PRIROČNIK ZA BREŽIČNI IZDELEK








- a) Delovanje te naprave je odvisno od naslednjih dveh pogojev:  
(1) Ta naprava ne sme povzročati škodljivih motenj in  
(2) ta naprava mora sprejeti vse prežete motnje, vključno z motnjami, ki lahko povzročijo neželeno delovanje.
- b) Pozor: Spremembe ali modifikacije te enote, ki jih stranka, odgovorna za skladnost, izrecno ne odobri, lahko razveljavijo uporabnikovo pooblastilo za uporabo opreme.
- c) OPOMBA: Ta oprema ustvarja, uporablja in lahko oddaja radiofrekvenčno energijo in lahko povzroči škodljive motnje v radijskih komunikacijah, če ni nameščena in uporabljena v skladu z navodili. Vendar ni nobenega zagotovila, da ne bo prišlo do motenj pri določeni namestitvi. Če ta oprema povzroča škodljive

motnje pri radijskem ali televizijskem sprejemu, kar je mogoče ugotoviti z izklopom in vklopom opreme, uporabnika spodbujamo, da poskuša odpraviti motnje z enim ali več od naslednjih ukrepov:

- Spremenite ali premaknite sprejemno anteno.
- Povečajte razdaljo med opremo in sprejemnikom.
- Priključite opremo v vtičnico na tokokrogu ki ni enak tistemu, na katerega je priključen sprejemnik.
- Za pomoč se posvetujte s prodajalcem ali izkušenim radijskim/TV tehnikom.

## SIMBOLI

	Zaradi zmanjševanja nevarnosti poškodb, se temeljito seznanite z navodili za uporabo
	Nosite zaščito za oči, ušesa
	Nosite protizdrsno obutev
	OPOZORILO – Razdalja med strojem in navzočimi osebami mora biti najmanj 15 m (50 ft)"
	OPOZORILO – Pazite na vržene predmete.
	OPOZORILO – Pazite na potisk rezila
	Ne uporabljajte kovinskih rezil.
	OPOZORILO – Pred vzdrževanjem odklopite baterijo.
	Nosite zaščito za roke

	Odpadnih električnih naprav ne smete zavreči skupaj z ostalimi gospodinjstvi odpadki. Dostavite jih na mesto za ločeno zbiranje odpadkov. Glede podrobnosti, se posvetujte z lokalno službo za ravnanje z odpadki.
 Li-Ion 	Baterije Li-Ion Ta izdelek je označen s simbolom, ki se nanaša na 'ločeno zbiranje' za vse baterijske napajalnike in baterijski napajalnik. Nato bodo reciklirane ali razstavljene, da se zmanjša škodljiv vpliv na okolje. Baterijski napajalniki vsebujejo nevarne snovi in so zato lahko nevarni za okolje in za zdravje ljudi.
	Prepovedano sežiganje.
	Če se baterije nepravilno odlaga, lahko vstopijo v vodni cikel, kar pa je lahko nevarno za ekosistem. Odpadnih baterij ne odlagajte v nesortirane komulane odpadke
	Poskrbite, da boste pred menjavanjem dodatkov odstranili akumulator.
	Rezanje

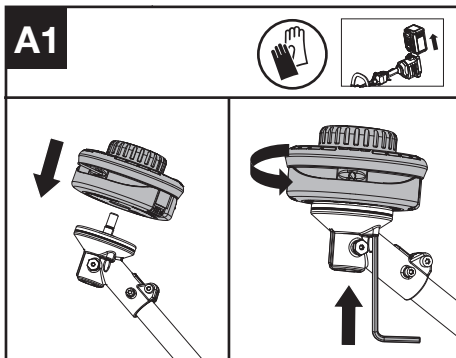
## SEŠTAVLJANJE IN NAČIN UPORABE

 **OPOMBA:** Preden začnete uporabljati strojček, si pozorno preberite navodila.

 **PRED UPORABO:**

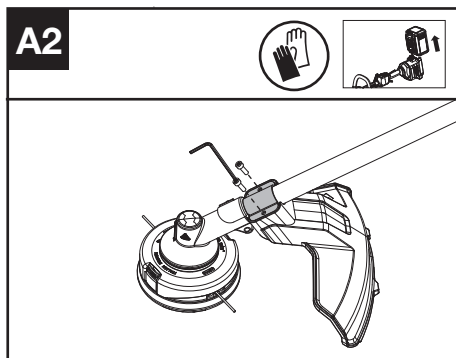
**Sestavljanje rezalne glave (Glej sliko A1)**

Namestite glavo trimerja. Vstavite šestrobni ključ v luknjo in vrtite glavo obrezovalnika, dokler se ne zaustavi v zaklenjenem položaju.

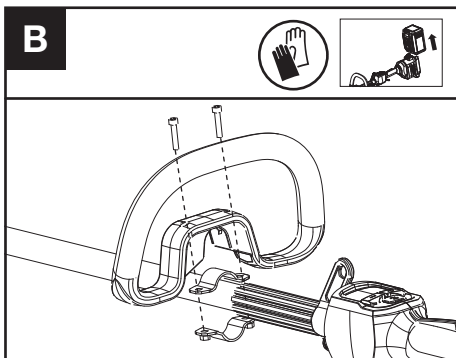


**Sestavljanje ščitnika za obrezke (Glej sliko A2)**

1. Namestite pravilni ščitnik za obrezke za glavo obrezovalnika.
2. Ščitnik pritrdite na mesto z vijakom in torx ključem.



**Sestavljanje sprednjega ročaja (Glej sliko B)**

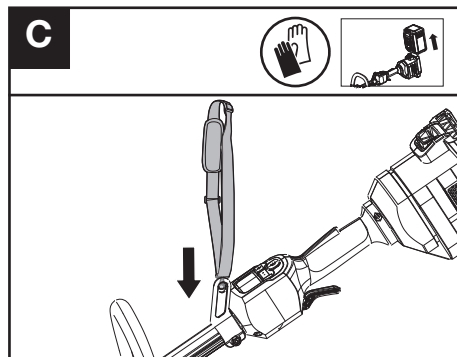


1. Pritrdite sprednji ročaj in spodnjo objemko na gred.
2. Vstavite vijak skozi luknje.
3. Zategnite sprednji ročaj.

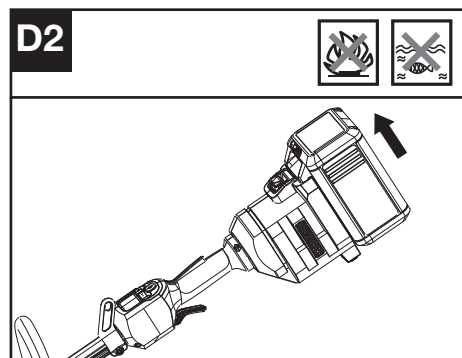
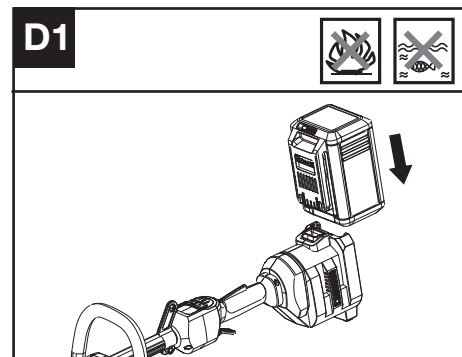
**! OPOZORILO: Sprednji ročaj nastavite po želji, tako da bo vaša sprednja roka ravna med uporabo obrezovalnika.**

**Sestavljanje ramenskega pasu (Prodaja se ločeno) (Glej sliko C)**

1. Prilagodite dolžino naramnega traku.
2. Povežite karabin dodatnega ramenskega pasu na pritrilno mesto na gredi obrezovalnika.



**Odstranjevanje Ali Nameščanje Akumulatorja (Glejte sliko. D1, D2)**



1. Akumulator potisnite v prostor za akumulator.



2. Stisnite gumb za sprostitev akumulatorja in sprostite akumulator iz ležišča.

## Povezovanje s pasom nahrbtnika (Glej sliko D3)

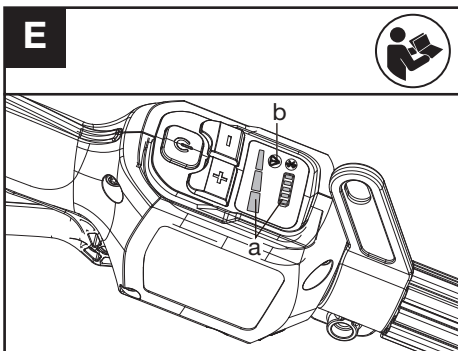
Obrezovalnik lahko povežete z dodatnim pasom nahrbtnika (ni priložen). Za več informacij glejte priročnik za pas nahrbtnika.



## PRESKUŠANJE OBREZOVALNIKA IN BATERIJE (GLEJ SLIKO E)

### Preverjanje krmilnikov Stikalo prisotnosti za upravljavca in sprožilec plina

1. Odstranite baterijo.
2. Poskusite pritisniti sprožilec plina. Če je sprožilec plina mogoče pritisniti ne da bi pritisnili stikalo prisotnosti za upravljavca, je stikalo prisotnosti za upravljavca okvarjeno. Prenehajte uporabljati obrezovalnik in stopite v stik s serviserjem.
4. Najprej držite in pritisnite stikalo prisotnosti za upravljavca, nato pritisnite sprožilec plina.
5. Sprostite sprožilec plina in stikalo prisotnosti za upravljavca. Če se sprožilec plina ali stikalo prisotnosti za upravljavca zatakne in ne moreta vrniti v prvotni položaj, prenehajte uporabljati obrezovalnik in stopite v stik s serviserjem.



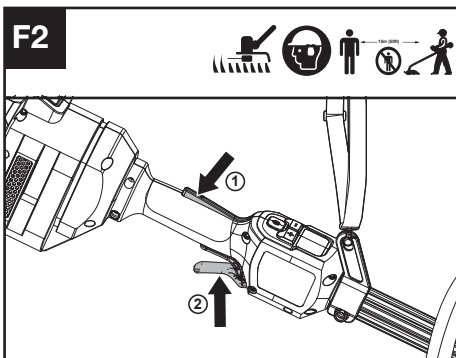
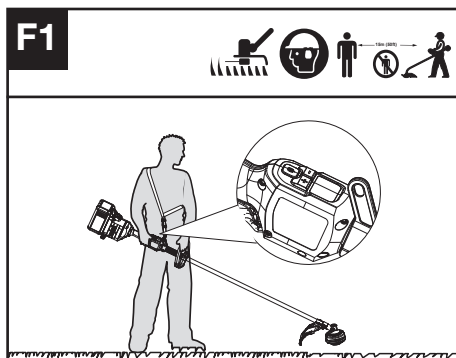
### Preverjanje zaslona

1. Vstavite baterijo

2. Držite in pritisnite stikalo za vklop/izklop. Izdelek je vklopljen, ko LED (a) sveti. Izdelek je izklopljen, ko LED (a) ne sveti.
3. Najprej pritisnite stikalo prisotnosti za upravljavca, nato pritisnite sprožilec plina, da zaženete stroj. Glava obrezovalnika se vrti.
4. Če opozorilna lučka (b) zasveti ali utripa, si za rešitve pogledajte **Odpravljanje napak**.
5. Sprostite sprožilec plina. Glava obrezovalnika se po kratkem zamiku preneha vrteti. Če se glava obrezovalnika še naprej vrti, odstranite baterijo in stopite v stik s serviserjem.

## DELOVANJE:

### Zagon obrezovalnika (glej slike F1, F2)



1. Z desno roko močno držite obrezovalnik na krmilnem ročaju – s palcem zaobjemite ročaj. Z levo roko držite obrezovalnik na pomožnem ročaju – s palcem zaobjemite ročaj.
2. Držite in pritisnite stikalo za vklop/izklop, dokler ne zasveti zelena LED. Zelena LED prikazuje raven energije.
3. Najprej pritisnite stikalo prisotnosti za upravljavca, nato pritisnite sprožilec plina, da zaženete stroj. Zelena LED za vklop/izklop ugasne po 5 sekundah, če se ne uporablja kot varnostni postopek. Ko ne kosite, bo enota ostala vklopljena, če držite stikalo prisotnosti za upravljavca, ne da bi upravljali s strojem. Če zelena LED ugasne, boste morali izdelek ponovno vklopiti.

**OPOMBA:** Stikalo prisotnosti za upravljalca je zasnovano tako, da preprečuje naključno delovanje. Ko pritisnete stikalo prisotnosti za upravljalca, se sprostijo sprožilci plina.

## Izbiranje hitrosti

Glede na aplikacijo, lahko nastavite 3 stopnje moči. Za nadzor hitrosti uporabite +/- LED prikazujujo izbrano stopnjo hitrosti. Višja kot je stopnja moči, hitreje lahko deluje nastavke za obrezovanje.

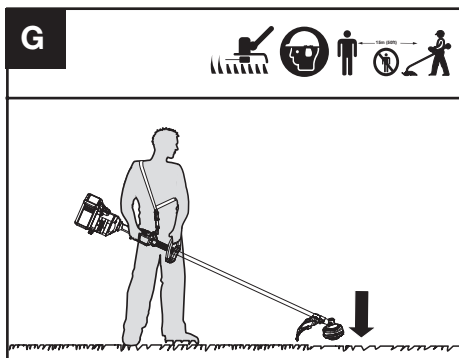
## Zaustavitev obrezovalnika

Za zaustavitev stroja sprostite sprožilec plina.

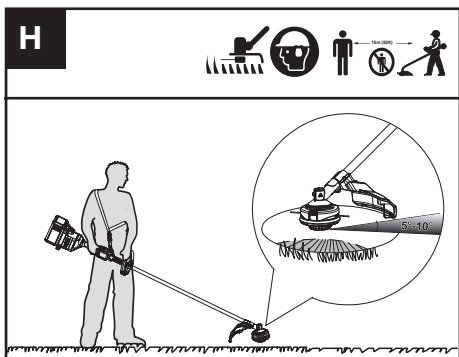
**⚠ OPOZORILO!** Rezalna glava se tudi po sprostitvi stikala za vklop/izklop nekaj časa vrti; napravo zato odložite šele, ko se rezalna glava popolnoma zaustavi.

## Sistem krmljenja v obliki črte (Glejte sliko. H)

Trimer je opremljen s sistemom varovalnih vodov. Kadar se med delovanjem stroja dotaknete glave trimera, se prikaže nova vrstica.



## Nasveti za rezanje (Glej sliko H)



1. Obrezovalnik zavijajte z ene strani na drugo po območju, ki ga želite rezati.
2. Za prizrezovanje uporabite konico rezalne vrvice;

3. Zične in lesene ograje lahko povzročijo dodatno obrabo in lomljenje rezalne vrvice. Kamnite in opečne stene, robniki in les lahko hitro obrabijo rezalno vrstico.
4. Izogibajte se drevju in grmovju. Lubje dreves, lesene letve, lesene stene in stebričke ograje lahko z rezalno vrstico zlahka poškodujete.
5. Izbrana stopnja moči vpliva na čas delovanja baterije. Nižja kot je stopnja moči, daljši je čas delovanja. Priporočljivo je, da uporabite nižjo stopnjo moči, razen v primeru, ko je stanje za obrezovanje slabše.

## Za akumulatorska orodja

Priporočeni razpon temperature okolja za praznjenje je  $-20^{\circ}\text{C} \sim 45^{\circ}\text{C}$  ( $-4^{\circ}\text{F} \sim 113^{\circ}\text{F}$ ).

Priporočeno območje temperature okolice pri polnjenju je  $-5^{\circ}\text{C} \sim 45^{\circ}\text{C}$  ( $23^{\circ}\text{F} \sim 113^{\circ}\text{F}$ ).

## PREVOZ

### Prevoz obrezovalnika

1. Izklopite obrezovalnik in odstranite baterijo.
2. Če prenašate obrezovalnik ročno, držite sredino gredi z rezalno glava zadaj in se prepričajte, da je stroj vzporedno s tlemi.
3. Ko prevažate obrezovalnik v vozilu, ga zavarujte in postavite tako, da se ne bo premikal ali poškodoval.

### Prevoz baterij

1. Zagotovite, da je baterija v varnem stanju.
2. Pri prevozu baterije uporabite neprevodno embalažo.
3. Za vsebovane Li-ionske baterije veljajo zahteve zakonodaje o nevarnem blagu. Baterije prevažajte samo, če ohišje baterije ni poškodovano. Baterije zapakirajte tako, da se v embalaži ne morejo premikati.

## VZDRŽEVANJE

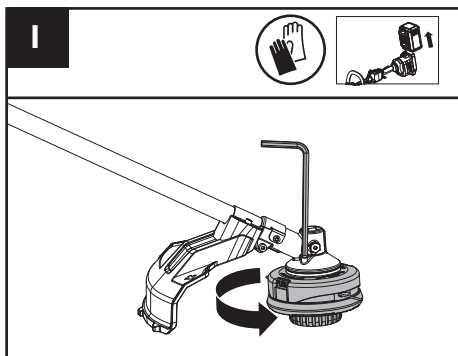
**⚠ Po končani uporabi vedno odstranite akumulator iz ležišča.**

### Menjava glave obrezovalnika (Glej sliko I)

**⚠ OPOZORILO!** Uporaba žice ali nitke, ojačane s kovino ni dovoljena in je lahko zelo nevarna. Uporabite samo rezalno nitko, ki je priporočena v tem priročniku v kombinaciji s priporočenim ščitnikom za obrezke.

**⚠ OPOZORILO!** Poškodovana ali zrahljana glava nastavka za obrezovanje lahko vibrira, počni, se zlomi ali odpade od obrezovalnika, kar lahko povzroči resne ali smrtno poškodbe ali materialno škodo.

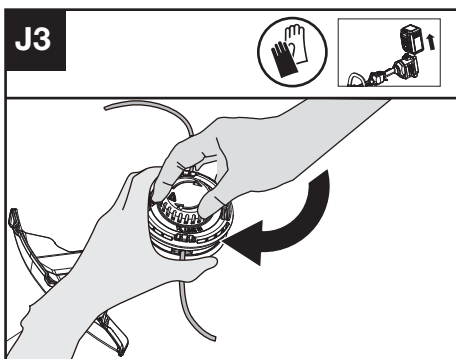
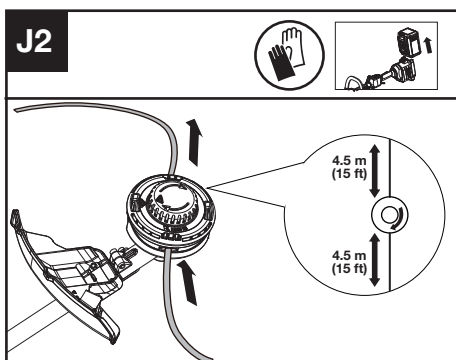
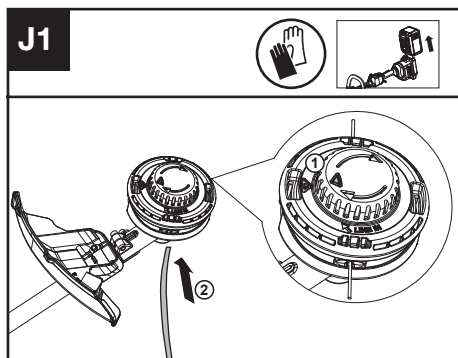
**Preden začnete z delom se prepričajte, da je glava obrezovalnika pravilno in trdno pritrjena ter v dobrem stanju.**



1. Vstavite šestrobni ključ v luknjo in vrtite glavo obrezovalnika, dokler se ne zaustavi v zaklenjenem položaju.
2. Da jo odstranite, jo zavrtite v smeri urinega kazalca, in zavrtite v nasprotni smeri urinega kazalca, da jo pritrdite nazaj.

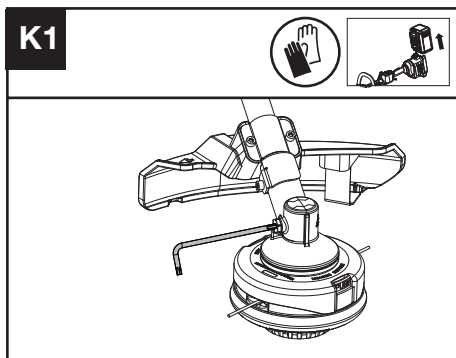
### Navijanje trimer linije (Glejte sliko. J1, J2, J3)

1. Zavrtite pokrovček motka, da poravnate dve ikoni trikotnika. (Glej sliko J1)
2. Skozi očesce vstavite nadomestno nitko (nitka vstavljena) in jo povlecite ven skozi drugo očesce. Prepričajte se, da sta oba konca nitke enakomerno velika na vsakem koncu glave obrezovalnika (priporočeno 4.5 m (15 čevljev)) in odrežite nitko. (Glej sliko J2)
3. Zavrtite gumb v smeri urinega kazalca, da nitko ovijete okoli motka, dokler je na vsaki strani ne ostane okrog 16 cm (6"). (Glej sliko J3)

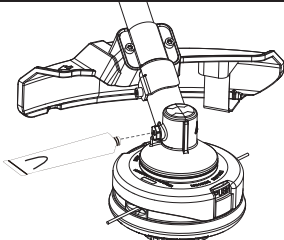


### Mazanje menjalnika (glej sliko K1, K2)

1. Odstranite vijake na menjalniku.
2. Če na koncu vijaka ni maziva za stožčasti zobnik, stisnite 5 g maziva (SHELL Gadus S2 V220 1) za prestavo v ohišje prestave.
3. Ponovno namestite in trdno privijte vijake.
4. Namestite baterijo in zaženite obrezovalnik za 1 minuto, da zagotovite enakomerno mazanje prestave.



SL

**K2**

uporabo.

## ČIŠČENJE

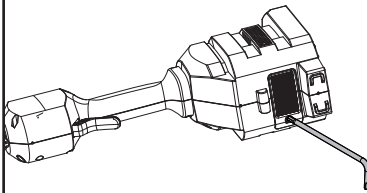
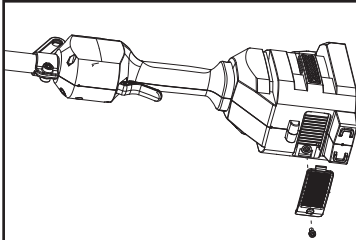
1. Izklopite obrezovalnik in odstranite baterijo.
2. Ne uporabljajte agresivnih čistilnih sredstev ali topil. Napravo po uporabi očistite z vlažno krpo, namočeno v nevtravno čistilno sredstvo.
3. Vtikalna doza mora biti brez tujkov, očistite jo z mehko in suho krtačo ali krpo.
4. Ne pršite vode na motor in električne komponente.
5. Za čiščenje naprave ne uporabljajte visokotlačnega čistilnika.

## Čiščenje zračnega filtra (glej slike L1, L2)

1. Očistite območje okrog zračnega filtra. Uporabite vlažno krpo ali mehko krtačo.
2. Odvijte in odstranite zračni filter.
3. Zračni filter sperite s tekočo vodo, da odstranite umazanijo.
4. Pustite, da se zračni filter posuši na zraku. In nato ga namestite v ohišje tako, da privijete z vijaki.

## SHRANJEVANJE

1. Pred shranjevanjem odstranite akumulator iz rezalnika.
2. Ko se med delovanjem zmočita zaradi dežja, je treba stroj in baterijo pred shranjevanjem ali polnjenjem posušiti. Odstranite baterijo in jo znova vstavite, če se stroj ne vklopi.
3. Rezalnik shranite na suhem in varnem mestu, ki je nedostopno otrokom in drugim nepooblaščenim osebam.  
Odstranite nastavek za obrezovanje, če ga dalj časa ne boste uporabljali.
4. Baterijo shranjujte samo v temperaturnem območju med 5 °C (41 °F) in 25 °C (77 °F). Na primer, poleti ne smete puščati baterije v avtu.

**L1****L2**

## Intervali vzdrževanja

Priporočljivo je, da menjalnik namažete in očistite zračni filter vsakih 50 ur delovanja glede na dejansko

# ODPRAVLJANJE NAPAK

V naslednji tabeli so odpisane napake in dejanja s katerimi jih lahko odpravite.



**OPOZORILO:** Pred odpravljanjem napak vedno najprej odstranite akumulator iz ležišča.

## OBREZOVALNIK

Težave	Možni vzroki	Korektivni ukrep
LED indikator baterije utripa	Nizka napetost baterije.	Napolnite akumulator.
Rdeča lučka LED utripa za napako	Preobremenitev.	Nastavek za obrezovanje se je zagozdil. Deaktivirajte izdelek. Odstranite baterijo. Očistite nastavek za obrezovanje neželenih materialov.
	Težave s temperaturo.	Pustite, da se izdelek ohladi.
	Sprožilec plina in gumb za vklop/izklop sta pritisnjena istočasno.	Sprostite sprožilec plina. Ponovno izvedite začetno zaporedje.
	Druge težave	Stopite v stik s serviserjem
Izdelek se noče zagnati	Smeti v konektorjih baterije.	Konektorje baterije očistite s stisnjenim zrakom ali mehko krtačo.
	Druge težave	Stopite v stik s serviserjem.
Obrezovalnik deluje občasno	Baterija ni popolnoma vstavljena v stroj.	Popolnoma vstavite baterijo.
	Morebitna električna težava.	Stopite v stik s serviserjem.
Prekomerne vibracije / hrup.	Težava z ravnovesjem nitke.	Previjte nitko.
	Težava z nastavkom za obrezovanje. Stroj v okvari.	Zamenjajte nastavek za obrezovanje. Stopite v stik s serviserjem.

SL

## BATERIJA

Težave	Možni vzroki	Korektivni ukrep
LED sveti za napako	Baterija je izpraznjena	Napolnite akumulator. Napolnite baterijo.
	Težave s temperaturo.	Za polnjenje uporabljajte baterijo v okolju, kjer je temperatura med -5 °C in 45 °C (23 °F do 113 °F) za praznjenje; -20 °C do 45°C (-4°F do 113°F).
	Drugo	Stopite v stik z vašim serviserjem.

## TEHNIČNI PODATKI

Vrsta: **KC100 KC100.X(1-oznaka naprave, predstavnik brezžičnih obrezovalnikov zelenic)**

	<b>KC100 KC100.X **</b>
Napetost	60 V  MAX ***
Hitrost rezanja	4200 / 5100 / 5900 rpm
Premer rezanja	42 cm (16.5")

Premer nitke	2.4 / 2.7 mm (0.095" / 0.105") najlonska vrvica
Stopnja zaščite	IPX4
Teža (Golo orodje)	4.5 kg (9.9 lbs)

\*\* X = 1-999, A-Z, M1-M9 so samo za različne kupce, med temi modeli ni nobenih varnostnih sprememb.

\*\*\* Napetost je bila izmerjena brez obremenitve. Začetna napetost akumulatorja doseže maksimum 60 V. Običajna napetost je 54 V.

## PRIPOROČENE BATERIJE IN POLNILNIKI

Baterija	Zmogljivost	Polnilnik	Amperage
KAC804	4.0 Ah	KAC840	30 A
KAC810 (S pasom nahrbtnika)	11.0 Ah		

Prporočamo, da dodatno opremo kupite pri istem prodajalcu, ki vam je prodal orodje. Za dodatne podrobnosti glejte embalažo dodatne opreme. Vaš prodajalec vam lahko pomaga in svetuje.

## TEHNIČNI PODATKI ZA BATERIJO (NEOBVEZNO)

Frekvenčni pasovi za Bluetooth	2400-2483.5 MHz
Največja oddana moč za Bluetooth	8 dBm

## KOMBINACIJE NASTAVKOV ZA OBREZOVANJE, DEFLEKTORJEV IN SISTEMOV ZA NOŠENJE

Nastavek za obrezovanje	Ščitnik za obrezke	Pregradna palica	Sistem za nošenje
- 4" glava obrezovalnika (izbimo, ni vključena) - 5" glava obrezovalnika	- Deflektor z visoko vidljivostjo - Univerzalni deflektor z obrobo	- Izbimo	- Ramenski pas - Baterija za pas nahrbtnika
- Rezilo	- Univerzalni deflektor brez obrobe	- Obvezno	

## PODATKI O HRUPU

Vrednotena raven zvočnega tlaka	$L_{pA} = 79.7 \text{ dB(A)}$
$K_{pA}$	3 dB(A)
Vrednotena raven zvočne moči	$L_{wA} = 94.94 \text{ dB(A)}$
$K_{wA}$	0.59 dB(A)

Uporabljajte zaščito za ušesa.



## PODATKI O VIBRACIJAH

Tipična vrednotena raven vibracij	$a_n = 2.45 \text{ m/s}^2$
Nezanesljivost meritve	$K = 3 \text{ m/s}^2$

**!** **OPOZORILO:** Dejanska vrednost emisije vibracij med uporabo strojčka, se lahko razlikuje od navedene, kajti nanjo vpliva tudi način uporabe strojčka, predvsem naslednje okoliščine:  
Način uporabe strojčka in materiali v katere vrtate ali vijačite.

Ali je strojček v dobrem stanju in ustrezno vzdrževan. Uporaba ustreznega dodatka in njegova brezhibnost. Čvrstost oprijema ročajev in morebitna uporaba dodatkov za zmanjševanje vibracij. Uporaba orodja za predviden namen, skladen s temi navodili.

**Če strojčka ne uporabljate pravilno, lahko povzroči vibracijski sindrom zapestja in rok.**


**!** **OPOZORILO:** Če želimo resnično natančno oceniti raven izpostavljenosti v dejanskih okoliščinah, moramo upoštevati tudi vse faze delovnega procesa, tudi število vklopov in izklopov strojčka ter čas, ko deluje v prostem teku in neobremenjeno. To lahko znatno zmanjša raven izpostavljenosti tekom celotnega delovnega procesa. Pomoč pri zmanjševanju tveganja pri izpostavljenosti vibracijam.


VEDNO uporabljajte le ostra dleta, svedre in rezila. Strojček vzdržujte skladno s temi navodili in poskrbite, da bo dobro namazan (kjer je potrebno).

Če boste strojček uporabljali redno, potem investirajte v dodatke za zmanjševanje vibracij.

Delo si organizirajte tako, da boste opravila z visoko ravno vibracij izvajali v več fazah, tekom nekaj dni.

## VAROVANJE OKOLJA

 Odpadnih električnih naprav ne smete zavreči skupaj z ostalimi gospodinjskimi odpadki.

 Dostavite jih na mesto za ločeno zbiranje odpadkov. Glede podrobnosti, se posvetujte z lokalno službo za ravnanje z odpadki.

## IZJAVA O SKLADNOSTI

MI,  
Positec Germany GmbH  
Postfach 32 02 16, 50796 Cologne, Germany

V imenu družbe Positec izjavljamo, da je izdelek Opis **Brezžični obrezovalnik zelenic**  
Vrsta **KC100 KC100.X (1-oznaka naprave, predstavnik brezžičnih obrezovalnikov zelenic)**

Funkcija **rezanje trave in podobne mehke vegetacije ter obrezovanje robov**

skladen z naslednjimi direktivami,  
**2006/42/EC**  
**2014/30/EU**  
**2011/65/EU & (EU)2015/863**  
**2000/14/EC spremenjena z 2005/88/EC**

2000/14/EC spremenjena z 2005/88/EC:  
- Postopek za ugotavljanje skladnosti, glede na

**Dodatek VI**  
- Izmerjena raven zvočne moči **94.94 dB (A)**  
- Deklarirana raven zvočne moči **96 dB (A)**

Pristojni priglasitveni organ  
Ime: **Intertek Deutschland GmbH (pristojni priglasitveni organ 0905)**  
Naslov: **Stangenstraße 1, 70771 LEINFELDEN-ECHTERDINGEN**

in izpolnjuje naslednje standarde,  
**EN 62841-1, FprEN IEC 62841-4-4:2020+FprAA:2021-02, EN 62233, EN ISO 3744, EN IEC 55014-1, EN IEC 55014-2**

Oseba, ki je pooblaščenca za skladnost tehnične dokumentacije,

**Ime: Marcel Filz**  
**Naslov: Positec Germany GmbH**  
**Postfach 32 02 16, 50796 Cologne, Germany**



2022/12/5  
Allen Ding  
Namestnik glavnega inženirja za testiranje in certificiranje  
Positec Technology (China) Co., Ltd  
18, Dongwang Road, Suzhou Industrial Park, Jiangsu 215123, P. R. China

SL

# SADRŽAJ

Uvod.....	200
Popis komponenti.....	201
Sigurnost proizvoda.....	202
Sastavljanje i rad.....	206
Transport.....	209
Održavanje.....	209
Čišćenje.....	210
Skladištenje.....	210
Otklanjanje poteškoća.....	211
Tehnički podaci.....	211
<hr/> HR Zaštita okoliša.....	212
Izjava o sukladnosti.....	213

## UVOD

Poštovani,

Zahvaljujemo što ste kupili ovaj Kress Commercial proizvod. Posvećeni smo razvoju proizvoda visoke kvalitete kako bismo zadovoljili vaše zahtjeve za komercijalnim uređenjem okoliša.

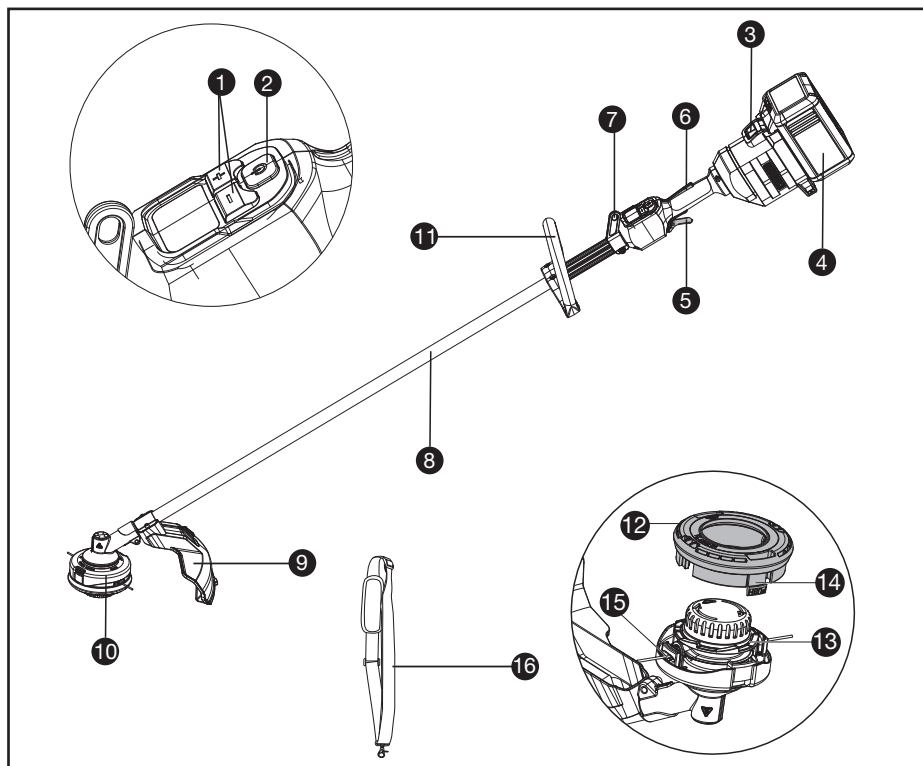
Brend Kress je sinonim za vrhunsku kvalitetu usluge. Tijekom godina životnog vijeka vašeg proizvoda, ako imate bilo kakvih pitanja ili nedoumica o svom proizvodu, obratite se svom prodavaču ili našem timu za korisničku podršku za pomoć.

Uvjereni smo da ćete godinama uživati u radu sa svojim Kress proizvodom.

## NAMJENSKA UPORABA

Ovaj stroj namijenjen je rezanju trave i visokog korova koji nije moguće doseći standardnom kosilicom. Ovaj se stroj također koristi i na područjima s nagibom koji nije prohodan za košnju.





## POPIS KOMPONENTI

- |     |  |
|-----|--|
| 1.  | KONTROLA BRZINE                        |
| 2.  | PREKIDAČ ON/OFF (UKLJUČENO/ISKLJUČENO) |
| 3.  | OTVARANJE BATERIJSKOG MODULA           |
| 4.  | BATERIJSKI KOMPLET *                   |
| 5.  | AKTIVATOR GASA                         |
| 6.  | PREKIDAČ PRISUTNOSTI RUKOVATELJA       |
| 7.  | MONTIRANJE NARAMENICE                  |
| 8.  | OSOVINA                                |
| 9.  | ŠTITNIK OD KRHOTINA                    |
| 10. | GLAVA TRIMERA                          |
| 11. | PREDNJA RUČKA                          |
| 12. | POKLOPAC KALEMA                        |
| 13. | KALEM                                  |
| 14. | ZASUN ZA OTPUŠTANJE POKLOPCA           |
| 15. | UŠICA                                  |
| 16. | NARAMENICA*                            |

\* Standardna isporuka ne obuhvaća sav ilustriran ili opisan pribor.

# ORIGINALNE UPUTE ZA RAD SIGURNOST PROIZVODA UOBIČAJENA SIGURNOSNA UPOZORENJA ZA ELEKTRIČNE ALATE



**UPOZORENJE** Pročitajte sva sigurnosna upozorenja, upute, ilustracije i specifikacije koje se isporučuju s ovim električnim alatom. Nepoštivanje dolje navedenih uputa može uzrokovati električni udar, požar i/ili ozbiljne ozljede.

**Sačuvajte sve napomene o sigurnosti i upute za buduću primjenu.**

Pojam „električni alat“ u upozorenjima odnosi se na električne alata s priključkom na električnu mrežu (s mrežnim kablom) i električne alate s napajanjem na akumulatorsku bateriju (bez mrežnog kabela).

## 1) Sigurnost na radnom mjestu

- a) **Održavajte radno mjesto čistim i dobro osvijetljenim.** Nered ili neosvijetljeno radno mjesto mogu uzrokovati nezgode.
- b) **Ne radite s električnim alatima u eksplozivnim atmosferama, primjerice onima u kojima ima zapaljivih tekućina, plinova ili prašine.** Električni alati proizvode iskre koje mogu zapaliti prašinu ili pare.
- c) **Tijekom upotrebe električnog alata djecu i druge osobe držite podalje od mjesta rada.** Svako odvratanje pozornosti može uzrokovati gubitak kontrole nad uređajem.

## 2) Električna sigurnost

- a) **Priključni utikač električnog alata mora odgovarati utičnici. Sve su preinake utikača zabranjene. Nemojte upotrebljavati adapterske utikače zajedno sa zaštitno uzemljenim električnim alatima.** Utikač na kojem nisu vršene preinake i odgovarajuća utičnica smanjuju opasnost od strujnog udara.
- b) **Izbjegavajte dodir tijela s uzemljenim površinama kao što su cijevi, radijatori, štednjaci i hladnjaci.** Opasnost od električnog udara je veća ako je vaše tijelo uzemljeno.
- c) **Ne koristite stroj po kiši ili vlažnim uvjetima. To može povećati rizik od električnog udara.** Nakon što se smočite na kiši tijekom rada, stroj i bateriju treba osušiti prije pohranjivanja ili punjenja. Izvadite bateriju i ponovno je umetnite ako se stroj ne uspije uključiti. Očistite priključak baterije od prljavštine i krhotina, a čistite ga mekom i suhom četkom ili krpom.
- d) **Ne zloupotrebljavajte priključni kabel.**

**Nikada nemojte upotrebljavati priključni kabel za nošenje, vješanje električnog alata ili za izvlačenje utikača iz mrežne utičnice. Priključni kabel držite dalje od izvora topline, ulja, oštih rubova ili pomičnih dijelova uređaja. Oštećen ili zapleten priključni kabel povećava opasnost od strujnog udara.**

- e) **Ako s električnim alatom radite na otvorenom, upotrebljavajte isključivo produžni kabel prikladan za upotrebu na otvorenom.** Upotreba produžnog kabela prikladnog za rad na otvorenom smanjuje opasnost od strujnog udara.
- f) **Ako ne možete izbjeći upotrebu električnog alata u vlažnoj okolini, upotrijebite diferencijalnu strujnu zaštitnu sklopku.** Primjenom diferencijalne strujne zaštitne sklopke izbjegava se opasnost od strujnog udara.

## 3) Sigurnost ljudi

- a) **Budite pažljivi, pazite što činite i postupajte oprezno dok radite s električnim alatom. Nemojte upotrebljavati alat ako ste umorni ili pod utjecajem droga, alkohola ili lijekova.** Trenutak nepažnje kod upotrebe električnog alata može uzrokovati ozbiljne ozljede.
- b) **Nosite osobnu zaštitnu opremu. Uvijek nosite zaštitne naočale. Nošenje osobne zaštitne opreme, kao što je maska za prašinu, zaštitna obuća s protukliznim potplatom, zaštitna kaciga ili štitičnik za sluh, ovisno od vrste i primjene električnog alata, smanjuje opasnost od ozljeda.**
- c) **Spriječite svako nehotično uključivanje uređaja. Prije nego što ćete utaknuti utikač u utičnicu i/ili staviti komplet baterija, provjerite je li električni alat isključen.** Ako kod nošenja električnog alata imate prst na prekidaču ili se uključen uređaj priključi na električno napajanje, to može dovesti do nezgoda.
- d) **Prije uključivanja električnog alata uklonite alate za podešavanje ili ključ.** Alat ili ključ koji se nalazi u rotirajućem dijelu uređaja može dovesti do nezgoda.
- e) **Izbjegavajte neobičajene položaje tijela. Zauzmite siguran i stabilan položaj tijela i u svakom trenutku održavajte ravnotežu.** Na taj način možete električni alat bolje kontrolirati u neočekivanim situacijama.
- f) **Nosite prikladnu odjeću. Ne nosite široku odjeću ni nakit.** Kosu i odjeću držite dalje od pomičnih dijelova. Široku odjeću, dugu kosu ili nakit mogu zahvatiti pomični dijelovi.
- g) **Ako uređaji imaju priključak za usisavače za prašinu, provjerite jesu li isti priključeni i mogu li se ispravno upotrebljavati.** Upotreba sustava za usisavanje može smanjiti mogućnost nastanka opasnih situacija koje uzrokuje prašina.
- h) **Nemojte postati previše bezbrižni i**

zanemariti sigurnosne upute zato što alat često upotrebljavate i smatrate da ste ga dobro poznali. Samo jedan trenutak nepažnje dovoljan je za nastanak ozbiljnih ozljeda.

- 4) **Upotreba i održavanje električnog alata**
  - a) **Ne preopterećujte uređaj. Za svaki posao upotrebljavajte prikladan i za to predviđen električni alat. S odgovarajućim električnim alatom posao ćete obaviti lakše, brže i sigurnije.**
  - b) **Nemojte upotrebljavati električni alat čiji je prekidač neispravan.** Električni alat koji se više ne može uključivati i isključivati opasan je i mora se popraviti.
  - c) **Alat prije podešavanja, izmjene pribora i odlaganja isključite iz izvora napajanja i/ili izvadite komplet baterije, ako se vadi iz uređaja.** Ovim mjerama opreza izbjeći će se nehotično uključivanje električnog alata.
  - d) **Električni alat koji ne upotrebljavate spremite izvan dosega djece. Rukovanje alatom zabranjeno je osobama koje nisu s njim upoznate ili koje nisu pročitale ove upute.** Električni alati su opasni ako s njima rade neiskusne osobe.
  - e) **Redovno održavajte električne alate i pribor. Kontrolirajte rade li besprijeekorno pomični dijelovi uređaja, jesu li zaglavljani, polomljeni ili oštećeni tako da to ugrožava daljnju upotrebu i rad električnog alata.** Prije upotrebe oštećene dijelove treba popraviti. Loše održavani električni alati uzrok su mnogih nezgoda.
  - f) **Rezne alate održavajte oštrim i čistim.** Pažljivo održavani rezni alati s oštrim oštricama manje će se zaglavljivati i lakše se s njima radi.
  - g) **Električni alat, pribor, radne alate, itd. upotrebljavajte prema ovim uputama i na način kako je to propisano za određenu vrstu uređaja.** Pritom uzmite u obzir radne uvjete i radove koje treba izvršiti. Upotreba električnog alata za poslove izvan njegove predviđene upotrebe može dovesti do opasnih situacija.
  - h) **Ručke i zahvatne površine održavajte suhima, čistima i pazite da na njih ne dospiju ulje ili mast.** Skliske ručke i zahvatne površine onemogućuju sigurno rukovanje i alat se teško kontrolira u neočekivanim situacijama.
- 5) **Upotreba i održavanje akumulatorskih alata**
  - a) **Akumulatorsku bateriju punite isključivo punjačima koje preporučuje proizvođač.** Ako punjač predviđen za jednu određenu vrstu kompleta baterija rabite s drugim kompletom baterija, postoji opasnost od požara.
  - b) **Električne alate upotrebljavajte isključivo s posebnim, namjenskim kompletima baterija.** Upotreba drugih kompleta baterija može dovesti do ozljeda i opasnosti od požara.
  - c) **Komplete baterija dok ih ne**

upotrebljavate držite dalje od uredskih spajalica, kovanica, ključeva, čavala, vijaka ili drugih sitnih metalnih predmeta koji bi mogli uzrokovati premošćenje kontakata. Kratki spoj između kontakata baterije može uzrokovati opekline ili požar.

- d) **Kod pogrešne primjene iz baterije može isteći tekućina. Izbjegavajte kontakt s ovom tekućinom. Kod slučajnog kontakta zahvaćeno mjesto treba isprati vodom. Ako vam tekućina uđe u oči, zatražite pomoć liječnika.** Tekućina istekla iz baterije može uzrokovati nadraženost kože i opekline.
  - e) **Ne upotrebljavajte oštećene ili izmijenjene kompletne baterija ni alate.** Oštećene ili izmijenjene baterije podložne su nepredvidivom ponašanju i mogu uzrokovati požar, eksploziju ili ozljede.
  - f) **Držite alat i komplet baterija dalje od vatre i visokih temperatura.** Izlaganje vatri ili temperaturi višoj od 130°C može uzrokovati eksploziju.
  - g) **Poštujte sve upute za punjenje i komplet baterija i alat ne punite pri temperaturama izvan vrijednosti koje su propisane i navedene u uputama.** Nepravilno punjenje ili punjenje pri temperaturama višim od propisanih može oštetiti bateriju i povećati opasnost od požara.
- 6) **Servisiranje**
    - a) **Popravlak električnog alata prepustite kvalificiranom osoblju ovlaštenog servisa i isključivo s originalnim rezervnim dijelovima.** Tako će biti zajamčen siguran rad s uređajem.
    - b) **Nikada ne servisirajte oštećene kompletne baterija.** Servisiranje kompleta baterija smiju obavljati isključivo proizvođači i ovlašteni serviseri.

## SIGURNOSNA UPOZORENJA ZA ROTACIONU KOSILICU I ROTACIONU PILU

- a) **Nemojte upotrebljavati stroj u lošim vremenskim uvjetima, naročito kad postoji opasnost od udara groma.** Ovo smanjuje opasnost od udara groma.
- b) **Temeljito provjerite područje kako biste bili sigurni da nema divljih životinja na području gdje će se stroj upotrebljavati.** Divlje životinje mogu biti ozlijeđene tijekom rada stroja.
- c) **Temeljito provjerite područje gdje će se stroj upotrebljavati i uklonite svo kamenje, granje, žice, kosti i ostale strane predmete.** Izbaceni predmeti mogu izazvati povrede.

**d) Prije uporabe stroja, uvijek vizualno provjerite rezač ili oštricu i uvjerite se da sklop oštrice ili rezača nije oštećen.**

Oštećeni dijelovi povećavaju rizik od ozljede.

**e) Pratite upute za mijenjanje dijelova.**

Nepravilno zategnuti vijci i matice za oštricu mogu oštetiti oštricu i uzrokovati odvajanje.

**f) Propisana rotacijska brzina oštrice mora biti minimalno jednaka najvećoj rotacijskoj brzini označenoj na stroju.**

Oštrice koje se vrte brže od propisane brzine mogu se odvojiti i odletjeti.

**g) Nosite zaštitu za oči, uši, glavu i ruke.**

Adekvatna zaštitna oprema smanjit će mogućnost ozljede uzrokovane od strane letućih krhotina ili slučajnog kontakta sa reznom niti ili oštricom.

**h) Kada upotrebljavate stroj, uvijek nosite sigurnosnu obuću. Nemojte rukovati strojem dok ste bos ili nosite otvorene sandale.**

Time smanjujete mogućnost ozljede nogu zbog kontakta s rezačem u pokretu, s niti ili oštricom.

**i) Kada upotrebljavate stroj, uvijek nosite duge hlače.** Gola koža povećava mogućnost ozljede od odbačenih predmeta.

**j) Udaljite osobe u blizini dok upotrebljavate stroj.**

Odbačeni predmeti mogu uzrokovati ozbiljne povrede.

**k) Uvijek koristite obje ruke dok rukujete strojem.** Držanjem stroja sa obje ruke umanjit ćete gubitak kontrole.

**l) Držite stroj samo za izolirane dodirne površine, zato što rezna nit ili oštrica mogu doći u kontakt sa skrivenim ožičenjem.** Dodir između rezne niti ili oštrice sa žicom pod naponom može sprovesti napon na druge metalne dijelove stroja i dovesti do strujnog udara.

**m) Uvijek stojte pravilno i upotrebljavajte stroj samo dok stojte na tlu.** Skliske i nestabilne površine mogu izazvati gubitak ravnoteže i kontrole nad strojem.

**n) Ne upotrebljavajte stroj na pretjerano strmim površinama.** Time ćete smanjiti rizik od gubitka kontrole nad strojem, klizanja i pada što može dovesti do povreda.

**o) Kada radite na nagibu, uvijek budite sigurni u svoj oslonac, uvijek radite poprečno na kosinama, nikada prema gore ili prema dolje i budite iznimno oprezni kada mijenjate smjer.** Time ćete smanjiti rizik od gubitka kontrole nad strojem, klizanja i pada što može dovesti do povreda.

**p) Držite sve dijelove tijela dalje od rezača, niti ili oštrice kada upravljate strojem. Prije nego pokrenete stroj, uvjerite se da rezač, nit ili oštrica nisu u dodiru ni sa čim.** Trenutak nepažnje tijekom rukovanja strojem može dovesti do ozljede vas ili drugih.

**q) Ne upotrebljavajte stroj iznad visine struka.** Time ćete spriječiti nenamjerni dodir između rezača ili oštrice i imati bolju kontrolu nad strojem u nenadanim situacijama.

**r) Kada obrezujete grmlje ili mladice**

**koje su napete, pripazite na povratnu**

**opru.** Kada se otpusti napetost u drvnim vlaknima, grm ili mladica može udariti osobu koja upravlja strojem i izazvati gubitak kontrole nad strojem.

**s) Budite iznimno oprezni kada obrezujete grmlje i mladice.** Tanki materijali mogu se podvući pod oštricu i izbaciti prema vama ili vam poremetiti ravnotežu.

**t) Održavajte kontrolu nad strojem i ne dodirujte rezače, niti ili oštrice i ostale opasne pokretne dijelove dok su u pokretu.** Time se smanjuje mogućnost od ozljede pokretnim dijelovima.

**u) Nosite stroj dok je isključen i udaljen od vašeg tijela.** Pravilnim rukovanjem strojem smanjit ćete vjerojatnost nenamjernog dodira sa pokretnim rezačem, niti ili oštricom.

**v) Kod transporta ili skladištenja stroja, uvijek stavite poklopac na metalne oštrice.** Pravilnim rukovanjem strojem smanjit ćete vjerojatnost nenamjernog dodira sa oštricom.

**w) Koristite samo zamjenske rezače, niti, rezne glave i oštrice koje je proizveo proizvođač.** Neprimjereni zamjenski dijelovi mogu povećati rizik od kvara i ozljeda.

**x) Kada uklanjate zaglavljani materijal ili servisirate stroj, uvjerite se da je isključen i da je baterija izvađena.** Neočekivano paljenje stroja dok se uklanja zaglavljani materijal ili servisira stroj može dovesti do ozbiljnih povreda.

## UZROCI POVRATNOG UDARA NOŽA I POVEZANA UPOZORENJA

Potisak noža je iznenadno bočno ili kretanje stroja unaprijed ili unazad, do kojeg može doći kada se nož zaglavi ili uhvati za predmet kao što je mladica ili panj. Može biti dovoljno nasilan da uzrokuje pomicanje stroja i/ili rukovatelja u bilo kojem smjeru i mogući gubitak kontrole nad strojem. Povratni udar noža i s njim povezane opasnosti mogu se izbjeći poduzimanjem odgovarajućih mjera opreza kako je navedeno u nastavku.

**a) Čvrsto držite stroj s obje ruke i postavite ruke tako da se odupru povratnom udaru noža. Postavite svoje tijelo s lijeve strane stroja. Povratni udar noža može povećati opasnost od ozljeda zbog neočekivanog pomicanja stroja. Ako se poduzmu odgovarajuće mjere opreza povratni udar noža rukovatelj može kontrolirati.**

**b) Ako se nož zaglavi, ili kada iz bilo kojeg razloga prekidate rez, isključite stroj i držite ga nepomično u materijalu dok se nož potpuno ne zaustavi. Dok je**

nož zaglavljen, nikada ne pokušavajte ukloniti stroj s materijala ili povući stroj unatrag dok je nož u pokretu, u suprotnom može doći do povratnog udara noža. Istražite i poduzmite korektivne radnje kako biste uklonili uzrok zaglavljivanja noža

- c) **Nemojte koristiti tupe ili oštećene noževe.** Tupi ili oštećeni noževi povećavaju rizik od zaglavljivanja ili hvatanja za neki predmet, što dovodi do povratnog udara noža.
- d) **Uvijek održavajte dobru vidljivost materijala koji se reže.** Vjerojatnije je da će se povratni udar noža pojaviti u područjima gdje je teško vidjeti materijal koji se reže.
- e) **Ako vam priđe druga osoba dok radite sa strojem, isključite stroj.** U slučaju povratnog udara noža postoji povećani rizik od ozljeda drugih osoba.

osim onog koji je izričito predviđen za uporabu s opremom.

- l) **Koristite samo baterije koje su namijenjene za upotrebu uz određeni uređaj.**
- m) **Baterije držite izvan dohvata djece.**
- n) **Izvorni priručnik isporučen uz uređaj sačuvajte za slučaj potrebe.**
- o) **Izvadite bateriju iz uređaja dok nije u upotrebi.**
- p) **Odložite sukladno propisima.**
- q) **Nemojte miješati ćelije različitih proizvođača, kapaciteta, veličine ili tipa unutar istog uređaja.**
- r) **Držite bateriju podalje od mikrovalnih pećnica i visokog tlaka.**

## SIGURNOSNA UPOZORENJA ZA BATERIJE

- a) **Bateriju nemojte rastavljati, otvarati ni trgati njezine ćelije.**
- b) **Bateriju nemojte kratko spajati. Nemojte nemarno ostavljati baterije u kutijama i ladicama gdje može doći do njihovog kratkog spoja prilikom kontakta s vodljivim materijalima.** Kad baterija nije u upotrebi držite je podalje od drugih metalnih predmeta kao što su spajalice papira, novčići, ključevi, čavli, vijci i drugi maleni metalni predmeti koji mogu uzrokovati međusobno spajanje kontakata baterije. Kratko međusobno spajanje kontakata baterije može uzrokovati opekline i požar.
- c) **Bateriju nemojte izlagati vrućini i vatri. Izbjegavajte pohranu na izravnom sunčevom svjetlu.**
- d) **Bateriju ne izlažite udarcima.**
- e) **Ako dođe do curenja baterije, pazite da tekućina ne dospije na kožu ili u oči. Ako dođe do kontakta, isperite to mjesto velikom količinom vode i potražite liječničku pomoć.**
- f) **Bateriju održavajte čistom i suhom.**
- g) **Ako se zaprljaju, kontakte baterije izbrišite čistom i suhom krpom.**
- h) **Bateriju treba napuniti prije upotrebe. Uvijek primijenite upute iz ovog priručnika i odgovarajući postupak punjenja.**
- i) **Bateriju ne ostavljajte na punjaču dok nije u upotrebi.**
- j) **Nakon duljih razdoblja neupotrebe možda će biti potrebno nekoliko puta napuniti i isprazniti bateriju kako bi se postigla optimalna učinkovitost.**
- k) **Punite samo punjačem koji preporučuje Kress. Nemojte koristiti nikakav punjač**

## ZAHTJEVI KORISNIČKOG PRIRUČNIKA ZA AKUMULATORSKI PROIZVOD

- a) Rad ovog uređaja podložan je sljedeća dva uvjeta:
  - (1) Ovaj uređaj ne smije uzrokovati štetne smetnje, i
  - (2) ovaj uređaj mora prihvatiti svaku primljenu smetnju, uključujući smetnju koja može uzrokovati neželjeni rad.
- b) **Oprez:** Promjene ili preinake na ovoj jedinici koje nije izričito odobrila strana odgovorna za sukladnost mogle bi poništiti korisničko ovlaštenje za rukovanje opremom.
- c) **NAPOMENA:** Ova oprema generira, upotrebljava i može zračiti radiofrekventnu energiju i, ako se ne instalira i koristi u skladu s uputama, može uzrokovati štetne smetnje radijskim komunikacijama. Međutim, nema jamstva da se smetnje neće pojaviti u određenoj instalaciji. Ako ova oprema uzrokuje štetne smetnje radijskom ili televizijskom prijemu, što se može odrediti uključivanjem i isključivanjem opreme, korisnika se potiče da pokuša ispraviti smetnje s pomoću jedne ili više sljedećih mjera:
  - Preusmjerite ili premjestite prijemnu antenu.
  - Povećajte udaljenost između opreme i prijemnika.
  - Spojite opremu u utičnicu na strujnom krugu različitim od onog na koji je spojen prijemnik.
  - Obratite se trgovcu ili iskusnom radio/TV tehničaru za pomoć.

# ASKUPINA I OPERACIJA



**NAPOMENA:** Prije uporabe alata, pažljivo pročitajte upute.

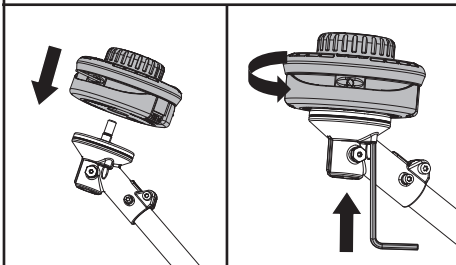


**PRIJE RADA:**

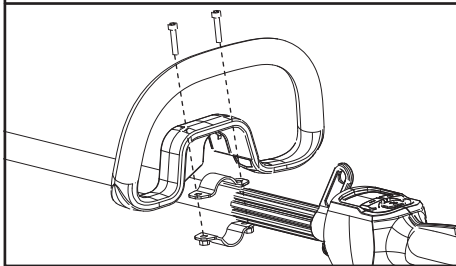
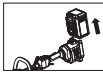
## Sastavljanje glave za rezanje (vidi sl. A1)

Postavite glavu za rezanje. Umetnite šesterokutni ključ u rupu i okrenite glavu trimera dok se ne zaustavi u zaključanom položaju.

**A1**

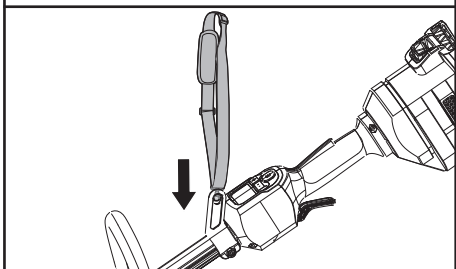


**B**



## Postavljanje naramenice (prodaje se zasebno) (vidi sl. C)

**C**

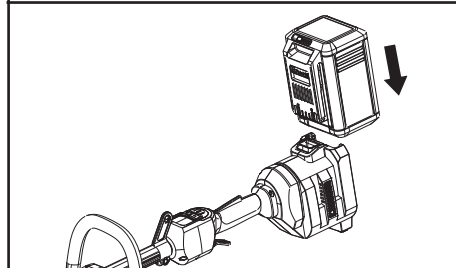


1. Podesite duljinu naramenice kako biste bili sigurni da je karabiner otprilike za širinu šake ispod vrha vašeg kuka.
2. Spojite karabiner naramenice dodatnog pribora na točku pričvršćivanja na osovini trimera.

## Ugradnja i uklanjanje baterijskog modula (Vidi sl. D1, D2)

1. Stavite bateriju u odjeljak dok ne čujete klik.
2. Pritisnite na mjesto za otpuštanje baterijskog modula kako biste ga oslobodili iz alata.

**D1**

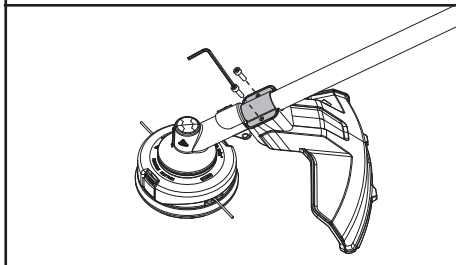
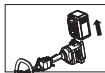


HR

## Sastavljanje štitnika od krhotina (vidi sl. A2)

1. Ugradite odgovarajući štitnik od krhotina za glavu trimera.
2. Pričvrstite štitnik na mjestu s pomoću vijka i torx ključa.

**A2**

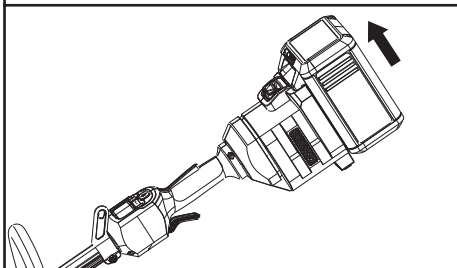


## Sastavljanje prednje ručke (vidi sl. B)

1. Pričvrstite prednju ručku i donju stezaljku na osovinu.
2. Provučite vijak kroz otvore.
3. Zategnite prednju ručku.

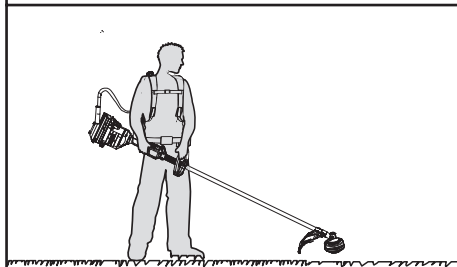


**UPOZORENJE:** Podesite prednju ručku prema želji kako bi vam prednja ruka bila ispružena kad upotrebljavate trimer.

**D2**

## SPAJANJE S POJASOM ZA RUKSAK (VIDI SL. D3)

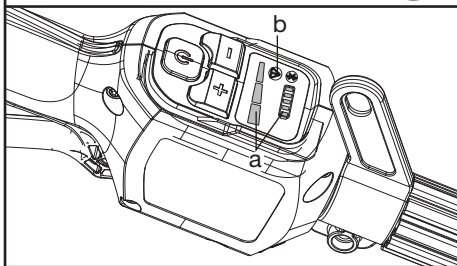
Trimer se može povezati s dodatnim pojansom za rucksak (nije isporučen). Dodatne informacije potražite u priručniku pojasa za rucksak.

**D3**

## TESTIRANJE TRIMERA I BATERIJE (VIDI SL. E)

### Provjera kontrola Prekidač prisutnosti rukovatelja i aktivator gasa

1. Izvadite bateriju.
2. Pokušajte pritisnuti aktivator gasa. Ako se aktivator gasa može pritisnuti bez pritiskanja prekidača prisutnosti rukovatelja, navedeni prekidač je neispravan. Prestanite koristiti trimer i obratite se serviseru.
4. Najprije držite i pritisnite prekidač prisutnosti rukovatelja, zatim pritisnite aktivator gasa.
5. Otpustite aktivator gasa i prekidač prisutnosti rukovatelja. Ako se aktivator gasa ili prekidač prisutnosti rukovatelja zaglavi i ne može se vratiti u originalni položaj. Prestanite koristiti trimer i obratite se serviseru.

**E**

### Provjera zaslona

1. Umetnite bateriju.
2. Držite i pritisnite prekidač On/Off (Uključeno/Isključeno).  
Proizvod je uključen kad LED svijetli.  
Proizvod je isključen kad LED ne svijetli.
3. Prvo pritisnite prekidač prisutnosti rukovatelja, a zatim aktivator gasa, kako biste pokrenuli stroj. Glava trimera se okreće.
4. Ako indikator upozorenja (b) svijetli ili treperi, rješenje potražite u odjeljku Otklanjanje poteškoća.
5. Otpustite aktivator gasa. Glava trimera prestaje se okretati nakon kratkog zastoja. Ako se glava trimera nastavlja okretati, izvadite bateriju i obratite se serviseru.

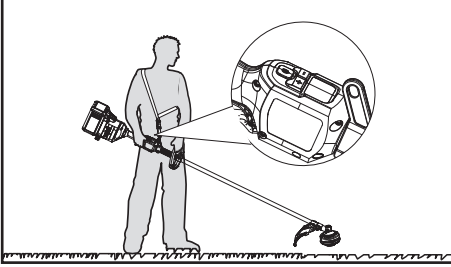
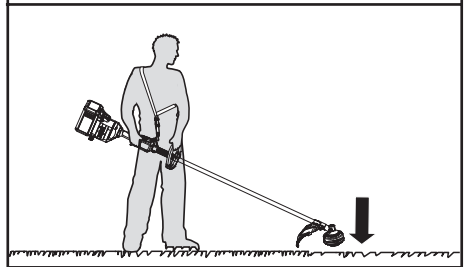
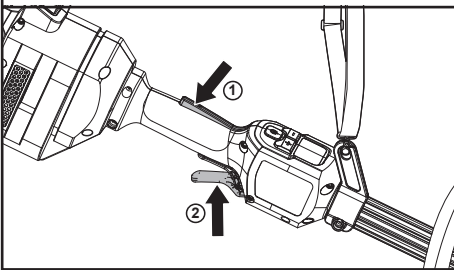
### RAD:

#### Pokretanje trimera (vidi sl. F1, F2)

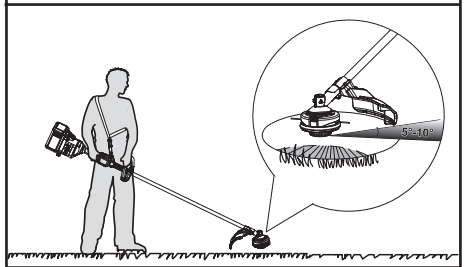
1. Desnom rukom čvrsto držite trimer za kontrolnu ručku – stavite palac oko ručke. Lijevom rukom držite trimer za pomoćnu ručku – stavite palac oko ručke.
2. Držite i pritisnite prekidač On/Off (Uključeno/Isključeno) dok se ne upali zelena LED lampica. Zelena LED lampica pokazuje razinu snage.
3. Prvo pritisnite prekidač prisutnosti rukovatelja, a zatim aktivator gasa, kako biste pokrenuli stroj. Zelena LED lampica za pokretanje/zaustavljanje gasi se nakon 5 sekundi ako se ne koristi kao sigurnosni postupak. Kad ne reže, jedinica će ostati uključena ako se prekidač prisutnosti rukovatelja drži pritisnutim bez upravljanja strojem. Ako se zelena LED lampica ugasi, proizvod je potrebno ponovo pokrenuti.

**NAPOMENA:** Prekidač prisutnosti rukovatelja namijenjen je za sprečavanje slučajnog rada. Kad pritisnete prekidač prisutnosti rukovatelja, otpušta aktivator gasa.

HR

**F1****G****F2**

**Rezanje vrhova (podrezivanje) (vidi sl. H)**

**H**

## Odabir brzine

Ovisno o primjeni, mogu se postaviti 3 razine snage. Za kontrolu brzine upotrijebite +/- LED lampice pokazuju razine odabrane brzine. Što je veća razina snage, to brže može raditi rezni priključak.

## Zaustavljanje trimera

Za zaustavljanje stroja otpustite aktivator gasa.



**UPOZORENJE!** Rezna glava nastavlja se okretati nakon što se trimer isključi; pričekajte dok se potpuno ne zaustavi, a zatim odložite alat.

## Sustav za doziranje niti na udarac (vidi sl. G)

Trimer je opremljen sustavom za doziranje niti na udarac. Jednostavno udarite glavu trimera dok stroj radi, nova nit će izaći.

1. Zanijhajte trimmer s jedne na drugu stranu preko područja koje želite rezati.
2. Upotrijebite vrh rezne niti (flaksa) za podrezivanje; nemojte silom gurati glavu trimera u nepokošenu travu.
3. Žičane i drvene ograde mogu uzrokovati dodatno trošenje i lom rezne niti. Zidovi od kamena i opeke, rubnjaci i drvo mogu brzo istrošiti reznú nit.
4. Izbjegavajte drveće i grmlje. Kora drveća, drvene letvice, obloge i stupovi ograde mogu se lako oštetiti reznom niti.
5. Odabrana razina snage utječe na trajanje baterije. Što je niža razina snage, to je dulje vrijeme rada (trajanje baterije). Preporučujemo da koristite najnižu razinu snage, osim u lošijim uvjetima rezanja.

## ZA BATERIJSKE ALATE

Preporučeni raspon temperature okoline za pražnjenje je -20°C~45°C (-4 °F~113 °F).

Preporučeni raspon temperature okoline za sustav punjenja tijekom punjenja je -5°C~45°C (23 °F~113 °F).



# TRANSPORT

## Prenošenje trimera

1. Isključite trimer i izvadite bateriju.
2. Kad trimer prenosite ručno, sredinu osovine s reznom glavom držite sa stražnje strane i pripazite da stroj bude paralelan sa tlom.
3. Kad prevozite trimer u vozilu, osigurajte ga i postavite tako da spriječite njegovo pomicanje ili oštećenje.

## Prenošenje baterije

1. Osigurajte da je baterija u sigurnom stanju.
2. Prilikom transporta baterije koristite neprovodnu ambalažu.
3. Sadržane litij-ionske baterije podliježu zahtjevima zakona o opasnoj robi. Baterije transportirajte samo ako je njihovo kućište neoštećeno. Zapakirajte baterije na način da se ne mogu pomicati u pakiranju.

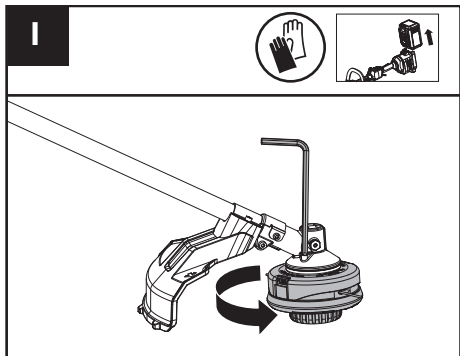
# ODRŽAVANJE

**!** **UPOZORENJE!** Uvijek uklonite bateriju prije nego što započnete održavanje na trimeru.

## Zamjena glave trimera (vidi sl. I)

**!** **UPOZORENJE!** Korištenje žice ili niti ojačane metalom nije dopušteno i može biti izuzetno opasno. Koristite samo reznu nit koja se preporučuje u ovim uputama, u kombinaciji s preporučenim štitnikom od krhotina.

**!** **UPOZORENJE!** Oštećena ili labava glava nastavka za rezanje može vibrirati, puknuti, slomiti se ili otpasti s trimera, čime može doći do ozbiljnih ili smrtonosnih ozljeda ili oštećenja imovine. Provjerite je li glava trimera propisno i sigurno pričvršćena i je li u dobrom stanju prije početka rada.



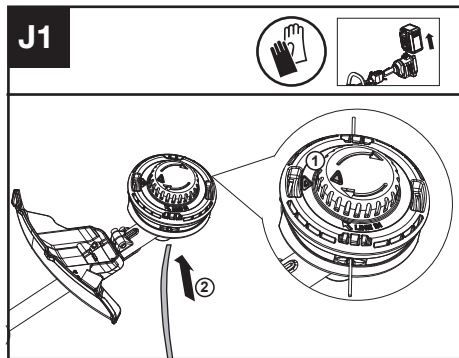
1. Umetnite šesterokutni ključ u rupu i okrenite glavu trimera dok se ne zaustavi u zaključanom

položaju.

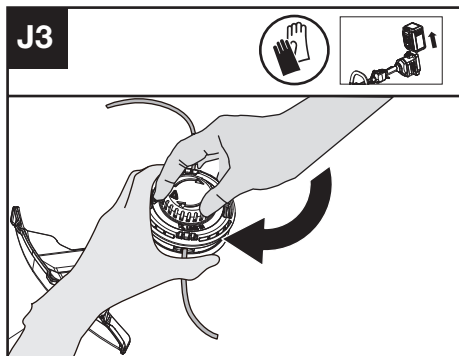
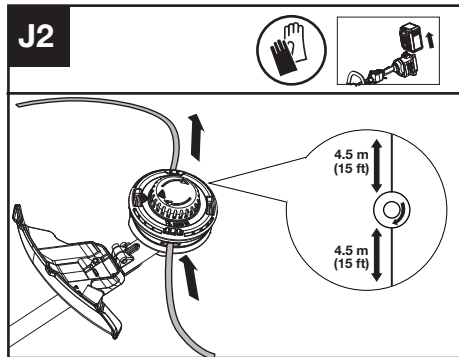
2. Zatim okrenite u smjeru kazaljke na satu kako biste ju skinuli, a obrnuto od kazaljke na satu kako biste ju postavili.

## Namotavanje niti (vidi sl. J1, J2, J3)

1. Zakrenite poklopac kalema dok se dvije slike trokuta ne poravnaju. (Vidi sl. J1)



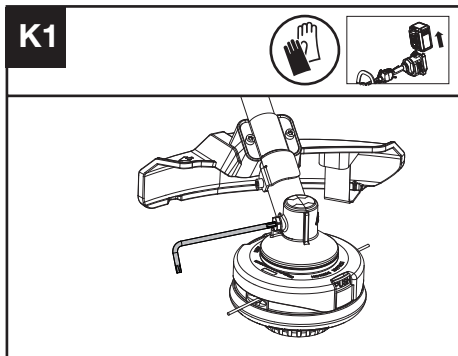
2. Umetnite zamjensku nit kroz ušicu (nit unutra) i provucite ju kroz vanjsku ušicu. Uvjerite se da su oba kraja niti jednaka s obje strane glave trimera (preporučeno 4.5 m (15 ft)) i odrežite nit. (Vidi sl. J2)



3. Okrenite kotačić u smjeru kazaljke na satu kako

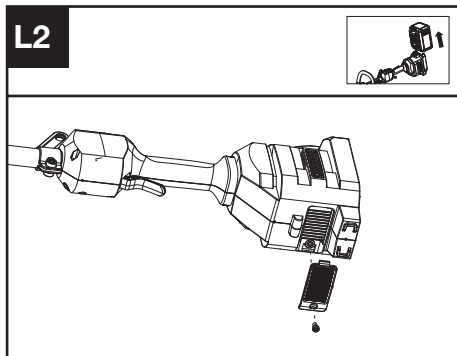
biste namotali nit oko kalema dok ne ostane oko 16 cm (6") s obje strane. (Vidi sl. J3)

## Podmazivanje reduktora (vidi sl. K1, K2)



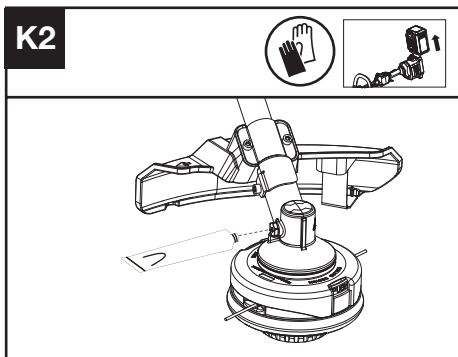
1. Uklonite vijak s reduktora.
2. Ako na kraju vijka nema masti za konusne zupčanike, istisnite 5 g masti (SHELL Gadus S2 V220 1) za zupčanike u kućište zupčanika.
3. Vratite vijak i zategnite ga.
4. Umetnite bateriju i upalite trimer na 1 minutu kako biste se uvjerali da je zupčanik ravnomjerno podmazan.

1. Očistite područje oko filtra zraka. Koristite vlažnu krpicu ili mekanu četku.
2. Odvrnite i uklonite filtar zraka.
3. Isperite filtar zraka vodom kako biste uklonili prljavštinu.
4. Ostavite filtar zraka na otvorenom kako bi se osušio. Zatim ga vratite u kućište i montirajte ga zatezanjem vijka.



## Intervali održavanja

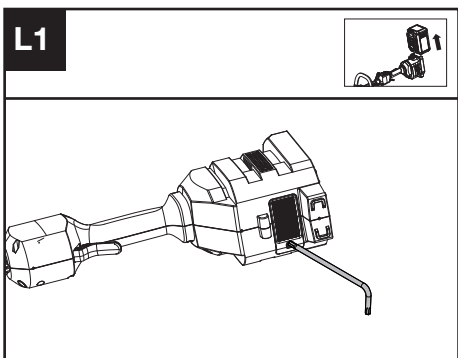
Preporučuje se podmazivanje reduktora i čišćenje filtra zraka nakon svakih 50 sati rada.



## ČIŠĆENJE

1. Isključite trimer i izvadite bateriju.
2. Ne koristite agresivne deterdžente ili otapala. Očistite stroj nakon korištenja vlažnom krpicom namočenom u blagi deterdžent.
3. Održavajte priključak baterije čistim od prljavštine i krhovina te ga čistite mekanom i suhom četkom ili krpom.
4. Nemojte štrcati vodu po motoru i električnim komponentama.
5. Nemojte koristiti visokotlačni perač za čišćenje vašeg stroja.

## Čišćenje filtra zraka (vidi sl. L1, L2)



## SKLADIŠTENJE

1. Uklonite bateriju iz trimera prije skladištenja.
2. Nakon što se smočite na kiši tijekom rada, stroj i bateriju treba osušiti prije pohranjivanja ili punjenja. Izvadite bateriju i ponovno je umetnite ako se stroj ne uspije uključiti.
3. Trimer i bateriju skladištite na suhom mjestu koje je sigurno od dohvata djece i ostalih neovlaštenih osoba. Uklonite nastavak za rezanje ako se neće koristiti dulje vrijeme.
4. Bateriju skladištite samo na temperaturi između 5 °C (41 °F) i 25 °C (77 °F). Na primjer, bateriju ne ostavljajte u automobilu ljeti.

# OTKLANJANJE POTEŠKOĆA

Sljedeća tablica navodi primjere poteškoća koje se mogu dogoditi i radnji koje možete poduzeti ako vaš stroj ne radi pravilno.



**UPOZORENJE: Ugasite stroj i uklonite bateriju prije bilo kakvog otklanjanja poteškoća.**

## TRIMER

Poteškoće	Mogući uzroci	Korektivna radnja
LED indikator baterije treperi	Slab napon baterije.	Napunite bateriju.
LED indikator crvene boje treperi	Preopterećenje	Rezni nastavak je zaglavljen Isključite proizvod Izvadite bateriju. Očistite rezni nastavak od neželjenih materijala.
	Problem sa temperaturom.	Ostavite proizvod da se ohladi.
	Aktivator gasa i prekidač ON/ OFF su pritisnuti u isto vrijeme.	Otpustite pritisak sa aktivatora gasa. Ponovo izvedite početni slijed.
	Ostale poteškoće	Obratite se serviseru
Proizvod se ne može pokrenuti	Prjavština na konektorima baterije.	Očistite konektore baterije komprimiranim zrakom ili mekanom četkom.
	Ostale poteškoće	Obratite se serviseru.
Trimer radi s prekidima	Baterija nije umetnuta do kraja u stroj.	Umetnite bateriju do kraja.
	Mogući električni problem.	Obratite se serviseru.
Prethjerane vibracije/buka.	Problem u balansu niti.	Ponovo namotajte nit.
	Problem s reznim nastavkom. Stroj neispravan.	Zamijenite rezni nastavak. Obratite se serviseru.

## BATERIJA

Poteškoće	Mogući uzroci	Korektivna radnja
LED lampica za pogreške svijetli	Baterija je ispražnjena	Napunite bateriju. Ako nije moguće napuniti bateriju, obratite se serviseru.
	Problem s temperaturom.	Bateriju upotrebljavajte u okruženjima s temperaturom između -5 °C i 45 °C (23 °F do 113 °F) za punjenje; -20 °C do 45 °C (-4 °F do 113 °F) za pražnjenje.
	Ostalo	Kontaktirajte sa serviserom.

## TEHNIČKI PODACI

Oznaka tipa: **KC100 KC100.X (1-oznaka strojeva, predstavnik akumulatorskih trimera za travu)**

	<b>KC100 KC100.X **</b>
Napon	60 V  MAX ***
Brzina rezanja	4200 / 5100 / 5900 rpm
Promjer rezanja	42 cm (16.5")
Promjer niti	2.4 / 2.7 mm (0.095" / 0.105") najlonska linija
Stupanj zaštite	IPX4

Težina stroja (samo stroj)	4.5 kg (9.9 lbs)
----------------------------	------------------

\*\* X=1-999,A-Z,M1-M9 upotrebljavaju se samo za različite korisnike, između ovih modela nema bitnih promjena koje se odnose na sigurnost.

\*\*\* Napon izmjeren bez radnog opterećenja. Inicijalni napon baterije dostiže maksimum od 60 volti. Nominalni napon je 54 volti.

## PREPORUČENE BATERIJE I PUNJAČI

Baterija	Kapacitet	Punjač	Struja u amperima
KAC804	4.0 Ah	KAC840	30 A
KAC810 (S pojasom za ruksak)	11.0 Ah		

Preporučujemo da pribor kupite od dobavljača koji vam je prodao alat. Više pojedinosti potražite na ambalaži pribora. Dobavljač vam može pružiti pomoć i savjet.

## TEHNIČKI PODACI ZA BATERIJSKI MODUL (NEOBAVEZNO)

Frekvencijski pojasevi za Bluetooth	2400-2483.5 MHz
Maksimalna prijenosna snaga za Bluetooth	8 dBm

## KOMBINACIJE REZNIH NASTAVAKA, DEFLEKTORA I SUSTAVA ZA NOŠENJE

Rezni nastavak	Štitnik od krhotina	Zaporna rešetka	Sustav za nošenje
– 4" glava trimera (Neobvezno, nije uključeno) – 5" glava trimera	– Deflektor visoke vidljivosti – Univerzalni deflektor s obrubom	– Neobvezno	– Naramenica – Pojas za ruksak za bateriju
– Oštrica noža	– Univerzalni deflektor bez obruba	– Obvezno	

## PODACI O BUCI

Ponderirani zvučni tlak	$L_{pA} = 79.7 \text{ dB(A)}$
$K_{pA}$	3 dB(A)
Ponderirana zvučna snaga	$L_{wA} = 94.94 \text{ dB(A)}$
$K_{wA}$	0.59 dB(A)

Nosite zaštitu za uši.



## INFORMACIJE O VIBRACIJAMA

Tipična ponderirana vibracija	$a_n = 2.45 \text{ m/s}^2$
Neodređenost	$K = 3 \text{ m/s}^2$



**!** **UPOZORENJE:** Vrijednost emisije vibracija tijekom stvarne uporabe električnog alata može se razlikovati od deklarirane vrijednosti ovisno o načinima na koje se alat koristi, što ovisi o sljedećim primjerima i drugim

varijacijama o načinu korištenja alata:  
Način korištenja alata i materijali koji se režu ili buše.  
Dok je alat u dobrom stanju i stupnju održavanja  
Uporaba pravilnog nastavka za alat i osiguravanje da  
je oštar i u dobrom stanju  
Čvrstoća hvatanja ručki te koriste li se dodaci protiv  
vibracija.  
I alat se koristi kako je namijenjen u skladu sa svojom  
namjenom i ovim uputama.

**Ovaj alat može uzrokovati sindrom vibracije  
šake-ruke ako se njegovom uporabom ne  
upravlja na odgovarajući način.**

**!** **UPOZORENJE:** Da bi bila točna, procjena  
razine izloženosti u stvarnim uvjetima uporabe  
također treba uzeti u obzir sve dijelove radnog ciklusa,  
kao što su vrijeme kada je alat isključen i kada radi  
u praznom hodu, ali zapravo ne obavlja posao. Ovo  
može značajno smanjiti razinu izloženosti tijekom  
ukupnog radnog razdoblja.  
Pomaže smanjiti rizik od izloženosti vibracijama.  
UVIJEK upotrebljavajte oštra dlijetta, svrdla i oštrice  
Održavajte ovaj alat u skladu s ovim uputama i držite  
ga dobro podmazanim (gdje je to potrebno).  
Ako se alat upotrebljava redovito, investirajte u  
nastavke protiv vibracija.  
Planirajte svoj raspored rada kako biste rasporedili  
korištenje alata s jakim vibracijama na više dana.

## ZAŠTITA OKOLIŠA

 Rabljeni električni proizvodi ne smiju se  
odlagati s kućanskim otpadom. Predajte ih na  
 odgovarajućim reciklažnim mjestima. Savjete  
za reciklažu zatražite od lokalnih nadležnih tijela ili  
dobavljača.

## IZJAVA O SUKLADNOSTI

MI,  
Positec Germany GmbH  
Postfach 32 02 16, 50796 Cologne, Germany

U ime Positeca izjavljuju da je proizvod  
Opis **Akumulatorski trimmer za travu**  
Oznaka tipa: **KC100 KC100.X (1-oznaka  
strojeva, predstavnik akumulatorskih  
trimera za travu)**  
Funkcija **rezanja trave i sličnog mekog  
raslinja i podrezivanja rubova trave**

Usklađeno sa sljedećim smjericama,  
**2006/42/EC**  
**2014/30/EU**  
**2011/65/EU&(EU)2015/863**  
**2000/14/EC izmijenjena do 2005/88/EC**

2000/14/EC izmijenjena do 2005/88/EC:  
- postupak procjene sukladnosti prema **Annex VI**  
- izmjerena razina zvučne snage **94.94 dB (A)**  
- proglašena zajamčena razina zvučne snage **96 dB (A)**

Uključeno ovlašteno tijelo  
Ime i prezime: **Intertek Deutschland GmbH**  
**(ovlaštena organizacija 0905)**  
Adresa: **Stangenstraße 1, 70771**  
**LEINFELDEN-ECHTERDINGEN**

Standardi su u skladu s:  
**EN 62841-1, FprEN IEC**  
**62841-4-4:2020+FprAA:2021-02, EN 62233,**  
**EN ISO 3744, EN IEC 55014-1, EN IEC**  
**55014-2**

Osoba ovlaštena za sastavljanje tehničke  
dokumentacije:

**Ime i prezime: Marcel Filz**  
**Adresa: Positec Germany GmbH**  
**Postfach 32 02 16, 50796 Cologne,**  
**Germany**



2022/12/5  
Allen Ding  
Zamjenik šefa inženjeringa, Testiranje i certifikacija  
Positec Technology (China) Co., Ltd  
18, Dongwang Road, Suzhou Industrial  
Park, Jiangsu 215123, P. R. China

# INDHOLDSFORTEGNELSE

Introduktion.....	214
Lista de componentes.....	215
Produktsikkerhed.....	216
Montering og betjening.....	220
Transport.....	223
Vedligeholdelse.....	223
Rengøring.....	224
Opbevaring.....	225
Fejlfinding.....	225
Tekniske data.....	226
Miljøbeskyttelse.....	227
Konformitetserklæring.....	227

DK

## INTRODUKTION

Kære kunde,

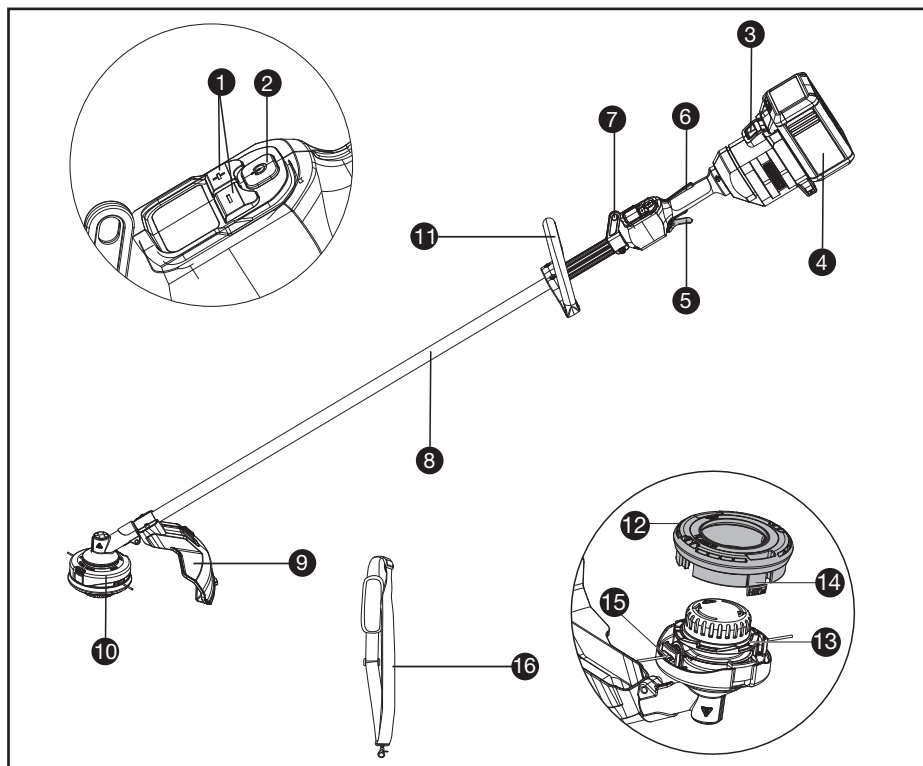
Tak, fordi du købte dette Kress Commercial-produkt. Vi har specialiseret os i at udvikle produkter af høj kvalitet, der dækker dine krav til din plæne og din have.

Kress-mærket står for service af førsteklasses kvalitet. Bed din lokale forhandler eller vores kundeserviceteam om hjælp, hvis du har spørgsmål om eller problemer med produktet i dets levetid.

Vi er overbeviste om, at du vil nyde at bruge dit Kress-produkt i de kommende år.

## FORESKREVET ANVENDELSE

Denne maskine er beregnet til at klippe græs og højt ukrudt, som ikke kan nås med en plæneklipper. Denne maskine anvendes også på områder med skråninger, der ikke er egnet til græsslåning.



DK

## LISTA DE COMPONENTES

- |     |                                  |
|-----|----------------------------------|
| 1.  | HASTIGHEDSSTYRING                |
| 2.  | TÆND/SLUK-KNAP                   |
| 3.  | BUNDPLADE                        |
| 4.  | BATTERIPAKKE *                   |
| 5.  | GASHÅNDTAG                       |
| 6.  | KNAP FOR OPERATØRTILSTEDEVÆRELSE |
| 7.  | SKULDERREM MONTERING             |
| 8.  | AKSEL                            |
| 9.  | SKÆRM                            |
| 10. | FINJUSTERINGSHOVED               |
| 11. | FORRESTE HÅNDTAG                 |
| 12. | SPOLEHÆTTE                       |
| 13. | SPOLE                            |
| 14. | UDLØSERLÅS FOR HÆTTE             |
| 15. | TRÅDÅBNING                       |
| 16. | SKULDER STROP *                  |

\* Illustreret eller beskrevet tilbehør er kun delvis indeholdt i leverancen.

# ORIGINAL BRUGSANVISNING SIKKERHEDSINSTRUKTIONER GENERELLE ADVARSLER I FORBINDELSE MED MASKINVÆRKTØJ



**ADVARSEL:** Læs alle sikkerhedsadvarsler, instruktioner, illustrationer og specifikationer, som følger med el-værktøjet. I

tilfælde af manglende overholdelse af anvisningerne nedenfor er der risiko for elektrisk stød, brand og/eller alvorlige personskader.

Gem alle advarsler og instruktioner for fremtidig reference.

Udtrykket "elværktøj" i nedenstående advarsler henviser til dit eldrevne (med ledning) eller batteridrevne (uden ledning) værktøj.

## 1) ARBEJDSOMRÅDE

- a) **Sørg for, at arbejdsområdet er rent og godt oplyst.** Rodede arbejdsområder kan forårsage personskade.
- b) **Anvend ikke elværktøj i eksplosive atmosfærer, f.eks. i nærheden af brændbare væsker, gasser eller støv.** Elværktøj frembringer gnister, der kan antænde støv eller dampe.
- c) **Hold børn og tilskuere på afstand, når elværktøjet bruges.** Hvis du bliver distraheret, kan du miste kontrollen over værktøjet.

## 2) ELSIKKERHED

- a) **Elværktøjets stik skal svare til stikkontakten. Du må ikke ændre stikket på nogen måde. Brug ikke adapterstik til elværktøj med jordforbindelse.** Hvis du bruger uændrede stik og stikkontakter, der passer til stikkene, mindskes risikoen for elektrisk stød.
- b) **Undgå at røre ved overflader med jordforbindelse, f.eks. rør, radiatorer, komfurer og køleskabe.** Risikoen for elektrisk stød øges, hvis din krop får jordforbindelse.
- c) **Brug ikke maskinen i regnvejir eller fugtige omgivelser. Det kan øge risikoen for elektrisk stød.** Hvis maskinen har været brugt i regnvejir, skal maskinen og batteriet tørres helt inden det oplades eller stilles til opbevaring. Tag batteripakken ud, og sæt den i igen, hvis maskinen ikke kan tændes. Hold batteriforbindelserne fri for snavs og afklip, og rengør dem med en blød og tør børste eller klud.
- d) **Undgå at udsætte ledningen for overlast. Bær ikke værktøjet i ledningen, og træk ikke i ledningen, når du tager stikket ud af stikkontakten. Hold ledningen væk fra varme, olie, skarpe kanter og bevægelige dele.** Beskadigede eller filtrede ledninger øger risikoen for elektrisk stød.
- e) **Brug altid forlængerledninger til udendørs brug, når du anvender værktøjet udendørs.**

Risikoen for elektrisk stød mindskes, hvis forlængerledningen er egnet til udendørs brug.

- f) **Hvis det elektriske værktøj anvendes i fugtige omgivelser, skal der ubetinget anvendes en strømforsyning, der er beskyttet mod reststrøm.** Det mindsker risikoen for elektriske stød.

## 3) PERSONLIG SIKKERHED

- a) **Vær opmærksom, hold altid øje med værktøjet, og brug din sunde fornuft ved brug af elværktøjet. Brug ikke elværktøjet, hvis du er træt eller påvirket af narkotika, alkohol eller medicin.** Et øjeblikks koncentrationssvigt ved brug af elværktøj kan medføre alvorlig personskade.
  - b) **Brug beskyttelsesudstyr. Brug altid sikkerhedsbriller.** Sikkerhedsudstyr som støvmaske, skridsikre sikkerhedssko, sikkerhedshjelm eller høreværn mindsker risikoen for personskade.
  - c) **Undgå at starte utilsigtet. Kontroller, at kontakten står i stillingen OFF, inden udstyret tilsluttes en strømkilde og/eller batteripakke, samles op eller transporteres.** Hvis du bærer elværktøj med fingeren på afbryderen eller sætter stikket i stikkontakten, mens afbryderen er tændt, er der risiko for ulykker.
  - d) **Fjern justeringsnøgler og lignende fra elværktøjet, før du tænder det.** Justeringsnøgler, der sidder på elværktøjets roterende dele, kan resultere i personskade.
  - e) **Undgå at række for langt. Sørg for at have et godt fodfæste og underlag.** Det giver bedre kontrol over elværktøjet i uventede situationer.
  - f) **Brug egnet arbejdstøj. Undgå løse bekædningsgenstande eller smykker. Hold hår og tøj væk fra dele, der bevæger sig.** Hold hår, tøj og handsker på afstand af de bevægelige dele. Løstsiddende tøj, smykker eller langt hår kan blive fanget af de bevægelige dele.
  - g) **Hvis værktøjet leveres med støvpose og adapter til støvudsugning, skal du kontrollere, at delene er tilsluttet korrekt.** Disse enheder mindsker risikoen for skader på grund af støv.
  - h) **Selvom du kender værktøjet godt og er vant til at bruge det, skal du alligevel være opmærksom og overholde sikkerhedsanvisningerne.** Et øjeblikks uopmærksomhed kan medføre alvorlige personskader.
- ## 4) BRUG OG VEDLIGEHOLDELSE AF ELVÆRKTØJ
- a) **Undlad at presse elværktøjet. Brug det korrekte elværktøj til opgaven.** Du opnår en bedre og mere sikker drift, hvis du anvender det korrekte elværktøj ved den anbefalede hastighed.
  - b) **Undlad at bruge elværktøjet, hvis afbryderen ikke slår værktøjet til og fra.** Elværktøj, der ikke kan kontrolleres ved hjælp af afbryderen, er



farligt og skal repareres.

- c) **Træk stikket på værktøjet ud fra strømkilden og/eller batteripakken, inden der foretages justeringer, udskiftning af dele eller opbevaring af værktøjet.** *Disse forholdsregler mindsker risikoen for utilsigtet start af elværktøjet.*
  - d) **Opbevar elværktøj utilgængelig for børn, og lad aldrig personer, der ikke er fortrolige med elværktøjet eller disse anvisninger, bruge elværktøjet.** *Elværktøj er farligt, hvis det bruges forkert.*
  - e) **Vedligehold elværktøjet. Kontrollér, om de bevægelige dele er korrekt justeret eller går tungt, om dele er gået i stykker og enhver anden tilstand, som kan påvirke elværktøjets funktion.** *Hvis elværktøjet er beskadiget, skal det repareres inden brug. Mange ulykker forårsages af dårligt vedligeholdt elværktøj.*
  - f) **Hold værktøjet skarpt og rent.** *Korrekt vedligeholdt elværktøj med skarpe klinger sætter sig ikke fast og er nemmere at kontrollere.*
  - g) **Brug elværktøjet, tilbehøret og eventuelle bits i henhold til disse anvisninger og på en passende måde for den pågældende type elværktøj.** *Tag altid højde for arbejdsomgivelserne og den forhåndenværende opgave. Hvis elværktøjet bruges til andre opgaver end den, det er beregnet til, kan det medføre farlige situationer.*
  - h) **Hold håndtag og gribeblader tørre, rene og fri for olie og smørefedt.** *Hvis håndtag og gribeblader er glatte, kan værktøjet ikke håndteres og styres sikkert, hvis der sker noget uventet.*
- 5) **BRUG OG ANVENDELSE AF BATTERI/VÆRKTØJ**
- a) **Oplad kun med den oplader, der er angivet af producenten.** *En oplader, der passer til en type batterienhed kan forårsage risiko for brand, hvis den bruges sammen med en anden batterienhed.*
  - b) **Brug kun de el-værktøjer, der er specifikt angivet til batterienhederne.** *Brug af andre batterienheder kan udgøre en risiko for skade og brand.*
  - c) **Når batterienheden ikke bruges, skal du holde den væk fra andre metalgenstande som f.eks. papirclips, mønter, nøgler, søm, skruer eller andre mindre metalgenstande, der kan skabe forbindelse mellem en klemme til en anden.** *Kortslutning af batteriklemmer kan forårsage brandsår eller brand.*
  - d) **Ved forkert brug kan der sprøjte væske ud af batteriet; undgå kontakt.** *Hvis der sker kontakt ved et uheld, skal du straks skylle med vand. Hvis der kommer væske i øjnene, skal du også søge lægehjælp. Væske, der sprøjtes ud fra batteriet, kan medføre irritation eller forbrænding.*
  - e) **Brug ikke akkuer eller værktøj, som er beskadiget eller modificeret.** *Beskadigede*

*eller modificerede akkuer kan opføre sig uforudsigeligt og forårsage brand, eksplosion eller fare for personskade.*

- f) **Akkuer eller værktøj må ikke udsættes for ild eller meget høje temperaturer.** *Ild eller temperaturer over 130 °C kan medføre eksplosion.*
  - g) **Følg alle instruktioner for opladning.** *Akkuen må ikke oplades ved temperaturer uden for det område, der er angivet i instruktionerne. Forkert opladning eller opladning ved temperaturer uden for det angivne område kan medføre skader på akkuen og forøge brandfaren.*
- 6) **SERVICE**
- a) **Service på elværktøjet skal udføres af en autoriseret reparatør ved hjælp af originale reservedele.** *Dette sikrer, at elværktøjet er sikkert at bruge.*
  - b) **Beskadigede akkuer må aldrig repareres.** *Reparation af akkuer må kun udføres af producenten eller autoriserede reparatører.*

## SIKKERHEDSFORSKRIFTER FOR TRIMMER OG BUSKRYDDER

- a) **Brug ikke maskinen under dårlige vejrforhold, især ikke når der er risiko for lynnedslag.** *Dette mindsker risikoen for at blive ramt af lynnedslag.*
- b) **Tjek grundigt for dyreliv i det område, hvor græstrimmeren skal bruges.** *Dyr kan komme til skade når maskinen bruges.*
- c) **Kontrollér grundigt det område, hvor maskinen skal bruges og fjern alle sten, pinde, ledninger, knogler og andre fremmedlegemer.** *Genstande der slynges omkring kan forårsage personskade.*
- d) **Før maskinen bruges, skal man altid se efter om klippemaskinen eller klingens og samlingens ikke er beskadiget.** *Beskadigede dele øger risiko for tilskadekomst.*
- e) **Følg instruktionerne for udskiftning af tilbehør.** *Ukorrekt tilspændte bolte/møtrikker kan enten beskadige klingens eller den kan falde af.*
- f) **Klippemaskinens nominelle omdrejningshastighed skal mindst være lige så stor som maskinens maksimale omdrejningshastighed.** *Klinger, der drejer hurtigere end deres nominelle omdrejningshastighed kan gå i stykker og blive slynget omkring.*
- g) **Brug beskyttelseudstyr til øjne, ører, hoved og hænder.** *Velegnet beskyttelsesudstyr vil reducere risikoen for personskade fra genstande, der slynges omkring eller fra klippesnøren eller klingens.*
- h) **Under brug af maskinen skal der altid bruges sikkerhedsfodtøj.** *Brug ikke maskinen med bare fødder eller i åbne sandaler. Det reducerer*

risikoen for fodskader fra kontakt med en drejende klippemaskine, klippesnære eller klinge.

- i) **Undgå brug af maskinen skal der altid bruges langbukser.** Hud, der ikke er tildækket, kan tage skade fra genstande, der slynges omkring.
- j) **Hold omkringstående personer på afstand under brug af maskinen.** Materialer, der slynges omkring, kan medføre alvorlig personskade.
- k) **Brug altid to hænder når maskinen bruges.** Hold maskinen med to hænder for at undgå at miste kontrollen.
- l) **Hold kun maskinen på det isolerede greb, da klippesnoren eller klingens kontakt kommer i kontakt med skjult ledningsføring.** Hvis snoren eller klingen kommer i kontakt med en strømførende ledning, kan blottede metaldele i maskinen blive strømførende og give brugeren elektrisk stød.
- m) **Sorg altid for, at have et sikkert fodfæste og brug kun maskinen stående på jorden.** Glatte eller ustabile overflader kan medføre tab af balance eller gøre maskinen svær at styre.
- n) **Brug ikke maskinen på meget stejle skråninger.** Dette reducerer risikoen for, at brugeren taber kontrol med maskinen, glider eller falder, hvilket kan føre til personskade.
- o) **Ved arbejde på skråninger skal brugeren altid sørge for, at have ordentlig fodfæste.** Arbejd altid på tværs af skrånningen, aldrig op/ned og vær ekstremt forsigtig ved retningsskift.
- p) **Hold alle kroppsdele væk fra klippemaskinen, klippesnoren eller klingens, når maskinen er i gang.** Før du starter maskinen, skal du være sikker på, at klippemaskinen, klippesnoren eller klingens kontakt ikke er i kontakt med noget. Et øjeblik uopmærksomhed mens du bruger maskinen kan medføre alvorlig personskade.
- q) **Brug ikke maskinen over hoftehøjde.** Dette hjælper med til at forhindre utilsigtet kontakt med klippemaskinen eller klingens og det øger kontrollen med maskinen i uventede situationer.
- r) **Hvis kviste eller gren er i spænd, kan de springe tilbage når de klippes over.** Når spændingerne i træfibre frigives, kan kvisten eller grenen slynge tilbage og ramme brugeren og/eller forårsage tab af kontrol af maskinen.
- s) **Vær ekstremt forsigtig ved trimning af kviste og grene.** Det tynde materiale kan vikles sig ind i klingens og slynge imod dig eller gøre, at du mister balancen.
- t) **Bevar kontrollen over maskinen og berør ikke nogen klinger, snører eller andre farlige dele, hvis de er i bevægelse.** Dette reducerer risikoen for tilskadecomst fra bevægelige dele.
- u) **Bær maskinen i slukket stand og væk fra kroppen.** Korrekt håndtering af maskinen vil reducere risikoen for tilfældig kontakt med en klippemaskine, klippesnøre eller klinge.
- v) **Ved transport eller opbevaring af maskinen skal afdækninger over metalklinger altid sættes på.** Korrekt håndtering af maskinen

vil reducere risikoen for tilfældig kontakt med klingens.

- w) **Brug kun reservedele (klinger, snører, klippenhoveder) som er angivet af producenten.** Forkerte reservedele kan øge risikoen for beskadigelse og skader.
- x) **Når fastsiddende materiale skal fjernes eller maskinen skal serviceres, skal du sørge for, at afbryderen er slukket, og batteriet er taget ud.** Uventet start af maskinen under rengøring eller servicering kan medføre alvorlig personskade.

## ÅRSAGER TIL OG ADVARSLER VEDRØRENDE TILBAGESLAG

Tilbageslag er en pludselig sidelæns, forlæns eller bagudrettet bevægelse af maskinen, som forekommer, hvis klingens binder eller fanges af en genstand såsom en stængel eller en træstub. Det kan være voldsomt nok til at få maskinen eller brugeren til at blive skubbet i en vilkårlig retning og muligvis miste herredømmet over maskinen. Tilbageslag og de tilhørende risici kan undgås ved at tage passende forholdsregler som beskrevet nedenfor.

- a) **Hold godt fast ved maskinen med begge hænder, og anbring armene, så de kan modstå maskinens bevægelser.** Hold maskinen på højre side af kroppen. Tilbageslag kan øge risikoen for personskade, da maskinen kan komme til at bevæge sig uventet. *Tilbageslag kan imødekommes af brugeren ved at tage passende forholdsregler.*
- b) **Hvis klingens sætter sig fast, eller hvis arbejdet afbrydes af andre årsager, skal du slukke for maskinen og holde den stille, indtil klingens er stoppet med at rotere.** Hvis klingens sætter sig fast, må du aldrig prøve at trække maskinen fri af materialet eller trække den bagud, mens klingens roterer, da der ellers kan forekomme tilbageslag. *Undersøg, hvorfor klingens satte sig fast, og fjern årsagen til det.*
- c) **Brug ikke sløve eller beskadigede klinger.** *Sløve eller beskadigede klinger øger risikoen for, at de sætter sig fast eller bliver fanget af en genstand, så der forekommer tilbageslag.*
- d) **Sorg altid for godt udsyn over det område, der skal bearbejdes.** *Tilbageslag forekommer oftere i områder, hvor det er svært at se det materiale, der skal skæres væk.*
- e) **Sluk maskinen, hvis en anden person nærmer sig, mens du bruger den.** *Der er øget risiko for personskade på andre personer i nærheden i tilfælde af tilbageslag.*

## BATTERISIKKERHED SIKKERHEDSFORSKRIFTER TIL BATTERISÆT

- a) **Sekundærelementer eller batterisæt må ikke skilles ad, åbnes eller knuses.**
- b) **Et batterisæt må ikke kortsluttes. Batterisæt må ikke opbevares lemfældigt i en kasse eller skuffe, hvor de kan kortslutte hinanden eller kortsluttes af ledende genstande.** Når batterisættet ikke er i brug, skal det holdes væk fra andre metalgenstande, såsom papirclips, mønter, nøgler, søm, skruer eller andre små metalgenstande, der kan skabe en forbindelse fra en pol til en anden, Kortslutning af batteripoler kan medføre forbrændinger eller brand.
- c) **Batterisæt må ikke udsættes for varme eller ild. Må ikke opbevares i direkte sollys.**
- d) **Batterisæt må ikke udsættes for mekaniske stød.**
- e) **I tilfælde af at et batteri lækker, må væsken ikke komme i kontakt med huden eller øjne. Hvis der er sket kontakt, skal det berørte område vaskes med rigelige mængder vand, hvorefter der søges lægehjælp.**
- f) **Opbevar batterisæt på et rent og tørt sted.**
- g) **Aftør batterisættets poler med en tør klud, hvis de bliver snavsed.**
- h) **Batterisæt skal oplades før anvendelsen. Anvend altid den korrekte oplader, og læs producentens anvisninger eller brugervejledning for, hvordan batterierne oplades korrekt.**
- i) **Et batterisæt må ikke efterlades til opladning i længere tid, hvis det ikke anvendes.**
- j) **Efter længere opbevaringsperioder kan det være nødvendigt at oplade eller aflade batterisættet flere gange for at op den optimale ydelse.**
- k) **Genoplad kun med laderen specificeret af Kress. Anvend ingen anden oplader end den, der specifikt er beregnet til brug med udstyret.**
- l) **Brug kun det korrekte batteri til udstyret.**
- m) **Batterisættet skal opbevares utilgængeligt for børn.**
- n) **Opbevar den originale produktlitteratur til fremtidig brug.**
- o) **Batterisættet skal fjernes fra udstyret, når det ikke er i brug.**
- p) **Bortskaffes på en miljørigtig måde.**
- q) **Bland ikke batterier af forskellig fremstilling, kapacitet, størrelse eller type i enheden.**
- r) **Hold batteriet væk fra mikrobølgeovne og højt tryk.**

- kan forårsage uønsket drift.
- b) **Forsigtig: Ændringer eller modifikationer af denne enhed, der ikke udtrykkeligt er accepteret af den part, der er ansvarlig for overholdelsen, kan ugyldiggøre brugerens ret til at bruge udstyret.**
- c) **BEMÆRK: Dette udstyr genererer, bruger og kan udstråle radiofrekvensenergi og kan, hvis det ikke installeres og bruges i overensstemmelse med instruktionerne, forårsage skadelig interferens i radiokommunikation. Der er dog ingen garanti for, at interferens ikke vil forekomme i en bestemt installation. Hvis dette udstyr forårsager skadelig interferens på radio- eller tv-modtagelse, hvilket kan fastslås ved at slukke og tænde for udstyret, opfordres brugeren til at forsøge at rette op på interferensen ved hjælp af en eller flere af følgende foranstaltninger:**
- Drej eller flyt modtagerantennen.
  - Øg afstanden mellem udstyret og modtageren.
  - Tilslut udstyret til en stikkontakt på et andet kredsløb end det, som modtageren er tilsluttet.
  - Henvend dig til en forhandler eller en erfaren radio-/tv-tekniker for assistance.

## SYMBOLER


	DK
	For at undgå risikoen for personskader skal brugeren læse brugervejledningen
	Bær høre- og øjenværn samt hjelm.
	Bær skridsikkert fodtøj
	ADVARSEL – Afstanden mellem maskinen og evt. omkringstående personer skal være mindst 15 m.
	ADVARSEL – Vær opmærksom på genstande, der slynges omkring.
	ADVARSEL – Vær opmærksom på knivkraft.
	Brug ikke metalklinger.

## BRUGERVEJLEDNING – KRAV TIL TRÅDLØST PRODUKT

- a) Brugen af denne enhed er underlagt følgende to betingelser:
- (1) This device may not cause harmful interference, and
  - (2) denne enhed skal acceptere enhver modtaget interferens, inklusive interferens, der

	Fjern batteriet fra holderen før udførelse af justeringer, eftersyn eller vedligeholdelse.
	Brug handsker
	Affald af elektriske produkter må ikke bortskaffes sammen med husholdningsaffald. Indlever så vidt muligt produktet til genbrug. Kontakt de lokale myndigheder eller forhandleren, hvis du er i tvivl.
	Lithium-ion batteri Dette produkt er mærket med et symbol i forbindelse med "separat indsamling" af alle batterier og batteripakker. Det genanvendes eller fjernes for at reducere miljøbelastningen. Batteriet kan være skadeligt for miljøet og menneskers sundhed, fordi det indeholder skadelige stoffer.
DK 	Må ikke brændes
	Hvis det ikke håndteres korrekt, kan batteriet muligvis komme ind i vandcyklussen, hvilket kan forårsage skade på økosystemet. Bortskaf ikke brugte batterier som usorteret kommunalt affald.
	Fjern batteriet fra holderen før udførelse af justeringer, eftersyn eller vedligeholdelse.
	Trimning

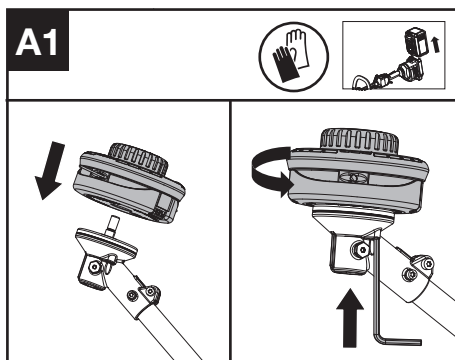
## SAMLING OG BETJENINGS

 **Noter:** Før du bruger dette værktøj, læs instruktionsbogen omhyggeligt.

 **FØR DU BRUGER:**

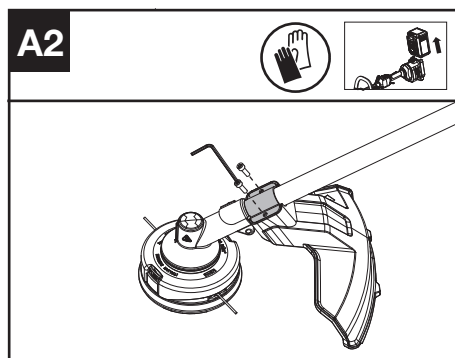
**Monter skærehovedet. (se fig. A1)**

Monter skærehovedet. Sæt unbrakonøglen ind i hullet, og drej trimmerhovedet, indtil det stopper i en låst position.




### Montering af skærm (se fig. A2)

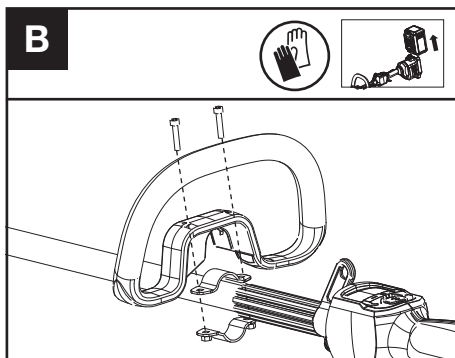
1. Installer den korrekte skærm til trimmerhovedet.
2. Fastgør skærmen med skruen og torxnøglen.



### Montering af det forreste håndtag (se fig. B)

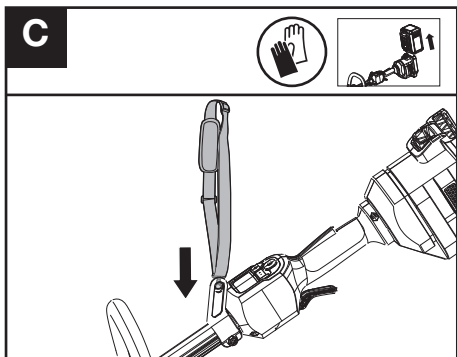
1. Fastgør det forreste håndtag og den nederste klemme på akslen.
2. Sæt bolten gennem hullerne.
3. Spænd det forreste håndtag.

 **ADVARSEL:** Juster det forreste håndtag efter behov, så du sikrer dig, at din forreste arm er lige, når du bruger trimmeren.



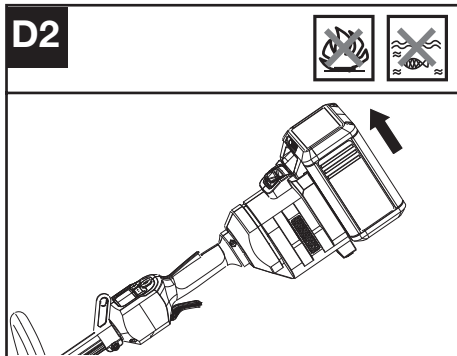
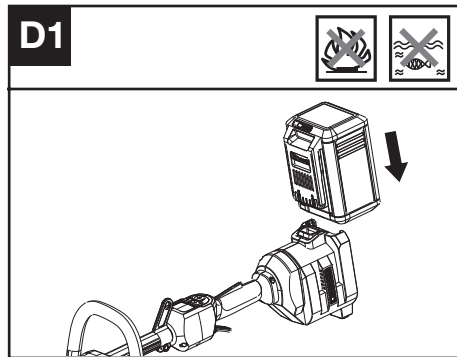
## Montering af Skulder strop (Sælges separat) (se fig. C)

1. Juster længden på skulderstroppen.
2. Tilslut karabinhagen på tilbehørets skulderrem til monteringspunktet på trimmerens skaft.



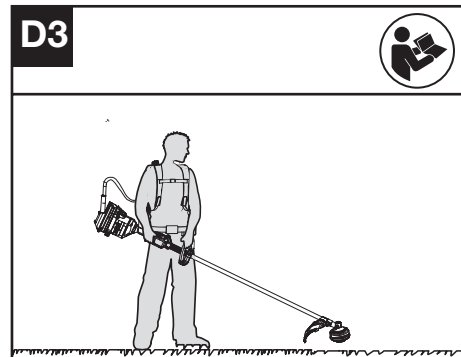
## Sådan fjernes eller isættes batterienheden (Se Fig. D1, D2)

1. Skub batteripakken ind i batterikammeret.
2. Tryk på batterienhedens lås og fjern enheden fra boremaskinen.



## Sammenkobling med bæresele (se fig. D3)

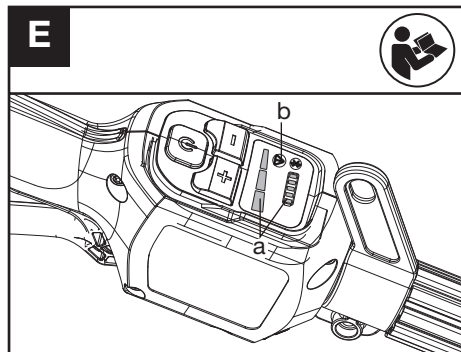
Trimmeren kan tilsluttes med en bæresele som tilbehør (medfølger ikke). Se manualen til bæreselen for at få flere oplysninger.



## TEST AF TRIMMEREN OG BATTERIET (SE FIG. E)

### Kontrol af betjeningsanordningerne Knap for operatørtilstedeværelse og gashåndtag

1. Fjern batteriet.
2. Prøv at trykke på gashåndtaget. Hvis der kan trykkes på gashåndtaget uden at trykke på knappen for operatørtilstedeværelse, så er knappen for operatørtilstedeværelse defekt. Stop med at bruge trimmeren, og kontakt serviceagenten.
4. Hold og tryk på knappen for operatørtilstedeværelse, og tryk derefter på gashåndtaget.
5. Slip gashåndtaget og knappen for operatørtilstedeværelse. Hvis gashåndtaget eller knappen for operatørtilstedeværelse sidder fast og ikke returnerer til sin oprindelige position. Stop med at bruge trimmeren, og kontakt serviceagenten.



### Kontrol af displayet

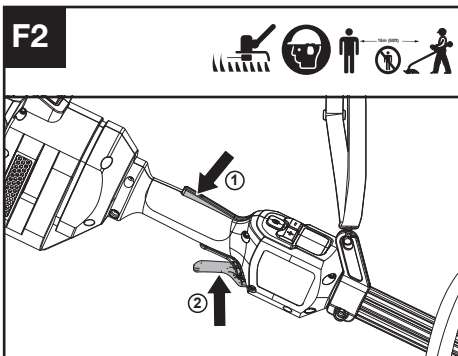
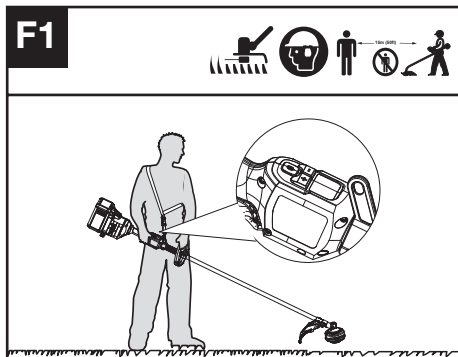
1. Indsæt batteriet.
2. Hold og tryk på tænd/sluk-knappen.

Produktet er tændt, når LED (a) lyser.  
Produktet er slukket, når LED (a) er slukket.

- Tryk først på knappen for operatørtilstedeværelse, og derefter på gashåndtaget for at starte maskinen. Trimmerhovedet roterer.
- Hvis advarselsindikatoren (b) lyser eller blinker, henvises til Fejlfinding for at finde løsninger.
- Slip gashåndtaget. Trimmerhovedet holder op med at rotere efter kort tid. Hvis trimmerhovedet fortsætter med at rotere, skal du fjerne batteriet og kontakte serviceagenten.

## BETJENINGSVEJLEDNING:

### Start af trimmeren (se fig. F1, F2)



- Hold trimmeren fast med højre hånd på betjeningshåndtaget – læg tommelfingeren rundt om håndtaget. Hold trimmeren med venstre hånd på støttehåndtaget – læg tommelfingeren rundt om håndtaget.
- Hold tænd/sluk-knappen nede og tryk på den, indtil det grønne LED lyser. Det grønne LED-viser strømniveauet.
- Tryk først på knappen for operatørtilstedeværelse, og derefter på gashåndtaget for at starte maskinen. Det grønne LED for start/stop slukker efter 5 sekunder, hvis det ikke bruges som en sikkerhedsprocedure. Når der ikke klippes, forbliver enheden tændt, hvis knappen for operatørtilstedeværelse holdes nede uden at betjene maskinen. Hvis det grønne LED-viser slukker, skal produktet genstartes.

**BEMÆRK:** Knappen for operatørtilstedeværelse er designet til at forhindre utilsigtet betjening. Når du trykker på knappen for operatørtilstedeværelse, frigøres gashåndtaget.

### Valg af hastighed

Afhængigt af anvendelsen kan der indstilles 3 styrkeniveauer. Brug +/- til at styre hastigheden. LED-lysene angiver det valgte hastighedsniveau. Jo højere styrkeniveau, jo hurtigere kan skæredstyret køre.

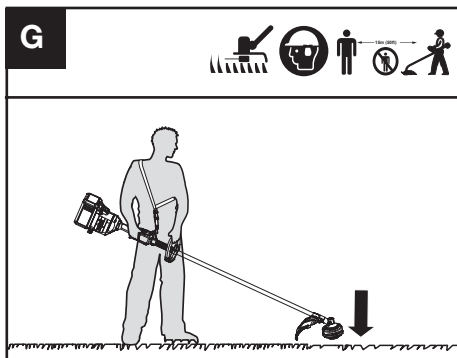
### Standnsning af trimmeren

Slip gashåndtaget for at stoppe maskinen.

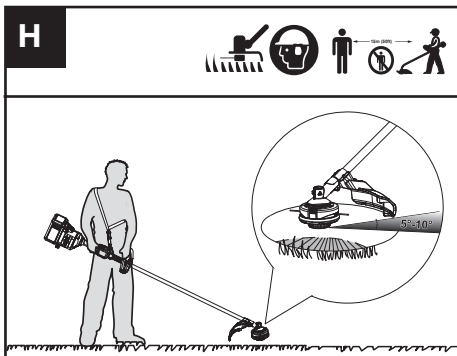
**ADVARSEL!** Skærehovedet fortsætter med at rotere, efter at der er slukket for trimmeren. Læg ikke redskabet fra dig, før det er stoppet.

### Fodringsssystem til bumpline (Se Fig. G)

Trimmeren er udstyret med et puffersystem. Hver gang du rører ved hovedet på trimmeren, mens maskinen kører, udsendes den nye linje.



### Tips til trimning (Se Fig. H)



- Sving trimmeren fra side til side hen over det område, der skal skæres.
- Brug enden af skæretråden. Tving ikke trimmerhovedet ned uklipet græs.

- Tråddindhegning kan forårsage ekstra slid og brud på skæretråden. Sten- og murstensvægge, kantsten og træer kan hurtigt slide skæretråden.
- Undgå træer og kantsten. Træers bark, trælist, vægbeklædning og hegnsstolper kan meget nemt beskadige af skæretråden.
- Det valgte styrkeniveau påvirker batteriets driftstid. Jo lavere styrkeniveauet er, jo længere er driftstiden. Det anbefales at bruge det laveste styrkeniveau, medmindre der er tale om dårlige klippeforhold.

### Til batteriredskaber

Den anbefalede temperatur for afladning er  $-20^{\circ}\text{C} \sim 45^{\circ}\text{C}$  ( $-4^{\circ}\text{F} \sim 113^{\circ}\text{F}$ ).

Det anbefalede omgivelsestemperaturområde for opladningssystemet under opladningen er  $-5^{\circ}\text{C} \sim 45^{\circ}\text{C}$  ( $23^{\circ}\text{F} \sim 113^{\circ}\text{F}$ ).

## TRANSPORT

### Transport af trimmeren

- Sluk trimmeren, og fjern batteriet.
- Når du transporterer din trimmer i hånden, skal du holde midten af akslen med skærehovedet bagud, og sørge for, at maskinen er parallel med jorden.
- Når du transporterer trimmeren i et køretøj, skal du sikre og placere den for at forhindre bevægelse eller beskadigelse.


### Transport af batteriet


- Sørg for, at batteriet er i sikker stand.
- Brug ikke-ledende emballage, når du transporterer batteriet.
- Li-Ion-batterierne er omfattet af lovgivningen om farligt gods.  
Transporter kun batterier, hvis batterihuset er intakt. Pak batterierne ind på en sådan måde, at de ikke kan bevæge sig rundt i emballagen.

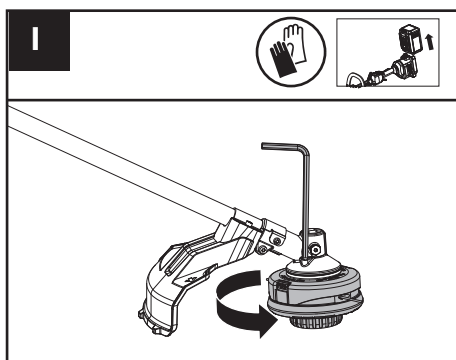
## VEDLIGEHOLDELSE

 Fjern altid batteriet fra din trimmer efter brug.

### Udskiftning af trimmerhovedet (se fig. I)

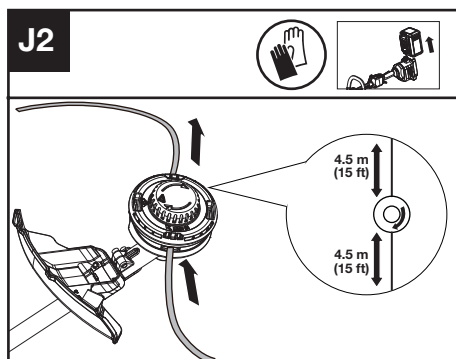
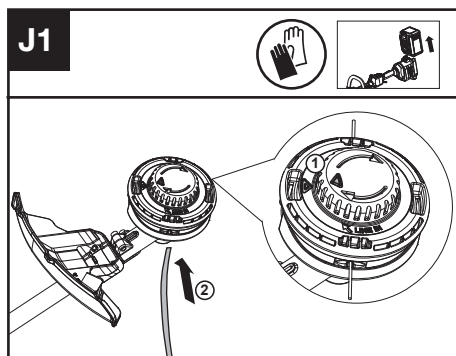
 **ADVARSEL!** Brug af ståltråd eller metalforstærket snor er ikke tilladt og kan være yderst farligt. Brug kun den skæresnor, der anbefales i denne manual, i kombination med den anbefalede skærm.

 **ADVARSEL!** Et beskadiget eller løst skærehoved kan vibrere, knække, gå i stykker eller løse sig fra trimmeren, hvilket kan medføre alvorlig eller dødelig personskade eller materiel skade. Sørg for, at trimmerhovedet er korrekt og sikkert fastspændt og i god stand, før du starter arbejdet.



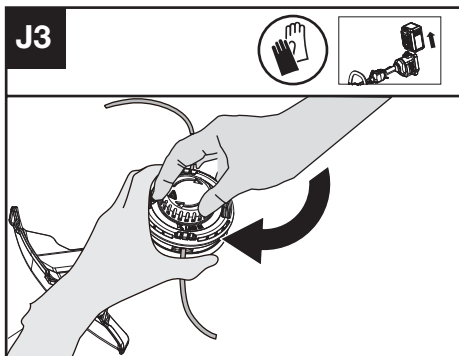
- Sæt unbrakonøglen ind i hullet, og drej trimmerhovedet, indtil det stopper i en låst position.
- Drej derefter med uret for at fjerne det, og mod uret for at montere det.

### Vikling af trimmerlinjen (Se Fig. J1, J2, J3)

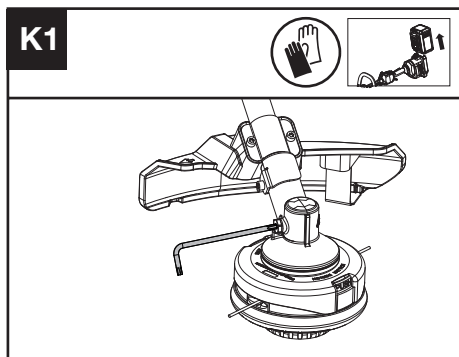


- Drej spolehætten, indtil de to trekantssymboler flugter. (Se fig. J1)
- Sæt erstatningslinen ind gennem hullet (line ind), og før den ud gennem det andet hul. Sørg for, at begge ender af linen er lige i hver ende af trimmerhovedet (anbefalet 4.5 m (15 fod)), og klip linen. (Se fig. J2)

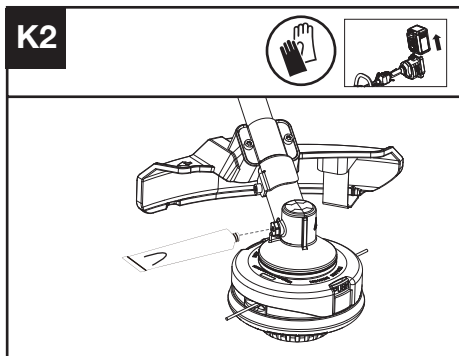
3. Drej drejhjulet med uret for at vikle linen rundt om spolen, indtil der er ca. 16 cm (6 tommer) tilbage på hver side. (Se fig. J3)



### Smøring af gearkassen (se fig. K1, K2)

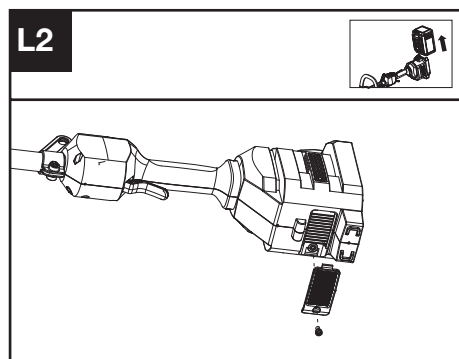
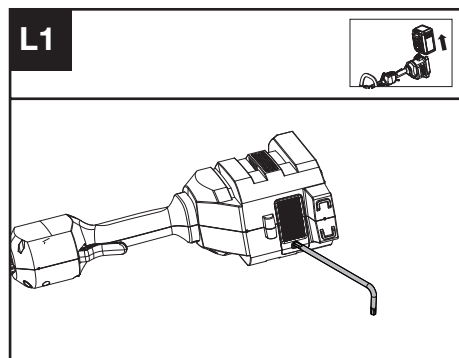


1. Fjern skruen på gearkassen.
2. Hvis der ikke er noget fedt på skruens ende, skal du klemme 5 g gearfedt (SHELL Gadus S2 V220 1) ind i gearhuset.
3. Sæt skruen på igen, og spænd den godt fast.
4. Sæt batteriet i, og lad trimmeren køre i 1 minut for at sikre, at tandhjulet er jævnt smurt.



### Rengøring af luftfilteret (se fig. L1, L2)

1. Rengør området omkring luftfilteret. Brug en fugtig klud eller en blød børste.
2. Skru luftfilteret af og fjern det.
3. Vask luftfilteret med rindende vand for at fjerne snavset.
4. Lad luftfilteret lufttørre. Derefter monteres det i huset ved at skrue skruen fast.



### Intervaller for vedligeholdelse

Det anbefales at smøre gearkassen og rense luftfilteret hver 50. driftstime baseret på det faktiske brug.

## RENGØRING

1. Sluk trimmeren, og fjern batteriet.
2. Brug ikke aggressive rengøringsmidler eller opløsningsmidler. Rengør maskinen efter brug med en fugtig klud d yppet i et neutralt rengøringsmiddel.
3. Hold stikdåsen fri for fremmedlegemer, og rengør den med en blød, tør børste eller klud.
4. Sprøjt ikke vand ind i motoren og de elektriske komponenter.
5. Brug ikke en højtryksrenser til rengøring af din maskine.



# OPMAGASINERING

1. Fjern batteripakken fra trimmeren inden opmagasinering.
2. Hvis maskinen har været brugt i regnvej, skal maskinen og batteriet tørres helt inden det oplades eller stilles til opbevaring. Tag batteripakken ud, og sæt den i igen, hvis maskinen ikke kan tændes.
3. Opmagasiner trimmeren på et tørt og sikkert sted, hvor børn og ubemyndigede personer ikke kan få adgang.  
Fjern skæreudstyret, hvis det ikke skal bruges i længere tid.
4. Opbevar kun batteriet inden for et temperaturområde mellem 5 °C (41 °F) og 25 °C (77 °F). Lad f.eks. ikke batteriet ligge i bilen om sommeren.

# FEJLFINDING

Følgende skema indeholder mulige problemer og handlinger, som du kan lave hvis dit værktøj ikke virker ordentligt.



**Advarsel: Sluk for værktøjet og tag batteriet ud, før du begynder at lede efter fejlen.**

## TRIMMER

Problemer	Mulige årsager	Afhjælpende foranstaltninger
Batteriindikator-LED blinker	Lav batterispænding.	Oplad batteriet.
Rød fejl-LED blinker	Overbelastning.	Skæringsudstyret sidder fast Deaktiver produktet. Fjern batteriet. Rengør skæreindsatsen for uønsket materiale.
	Temperaturproblem.	Lad produktet køle ned.
	Der trykkes på gashåndtaget og tænd/sluk-knappen på samme tid	Slip gashåndtaget. Udfør startsekvensen igen.
	Andre problemer	Kontakt serviceagent
Produktet starter ikke	Snavs i batteristikkene.	Rengør batteristikkene med trykluft eller en blød børste.
	Andre problemer	Kontakt serviceagent.
Trimmeren kører uregelmæssigt	Batteriet er ikke sat helt i maskinen.	Sæt batteriet helt i.
	Muligt elektrisk problem.	Kontakt serviceagent.
Overdrejet vibration/støj.	Problem med linjebalance.	Spol linjen tilbage.
	Problem med skæreudstyret. Maskinen er defekt.	Udskift skæreudstyret. Kontakt serviceagent.


DK

## BATTERI

Problemer	Mulige årsager	Afhjælpende foranstaltninger
Fejl-LED tændt	Batteriet er afladet	Oplad batteriet. Hvis batteriet ikke kan oplades, skal du kontakte din serviceagent.
	Temperaturproblem.	Brug batteriet i omgivelser, hvor temperaturen er mellem -5 °C og 45 °C (23 °F til 113 °F) ved opladning: -20 °C til 45 °C (-4 °F til 113 °F) ved afladning.
	Andre	Kontakt din serviceagent.

# TEKNISK DATA

Type: **KC100 KC100.X** (1-dpegning af maskiner, repræsentant for Akku-græstrimmer)

	<b>KC100 KC100.X **</b>
Spænding	60 V  MAX ***
Skærehastighed	4200 / 5100 / 5900 rpm
Skærediameter	42 cm (16.5")
Linje diameter	2.4 / 2.7 mm (0.095" / 0.105") nylon line
Beskyttelsesklasse	IPX4
Maskinvægt (Bare værktøjer)	4.5 kg (9.9 lbs)

\*\* X = 1-999, A-Z, M1-M9 er kun til forskellige kunder, der er ingen sikkerhedsrelaterede ændringer mellem disse modeller.

\*\*\* Spændingen er målt uden arbejdsbelastning. Den indledende batterispænding når maksimalt op på 60 volt. Nominel spænding er 54 volt.

## ANBEFALEDE BATTERIER OG OPLADERE

Batteri	Kapacitet	Oplader	Amperage
KAC804	4.0 Ah	KAC840	30 A
KAC810 (Med bæresele)	11.0 Ah		

Vi anbefaler, at du køber dit tilbehør hos den samme forhandler, som solgte dig værktøjet. Yderligere oplysninger kan ses på tilbehørets emballage. Din forhandler kan hjælpe dig og give råd.

## TEKNISKE DATA FOR BATTERIPAKKEN (VALGFRI)

Frekvensbånd for Bluetooth	2400-2483.5 MHz
Maksimalt transmitteret effekt for Bluetooth	8 dBm

## KOMBINATIONER AF SKÆREUDSTYR, DEFLEKTORER OG BÆRESYSTEMER

Skæreudstyr	Skærm	Barrirestang	Bæresystem
- 4 tommers trimmerhoved (valgfrit, ikke inkluderet) - 5 tommers trimmerhoved	- Deflektor med høj synlighed - Universel deflektor med afskærmning	- Valgfrit	- Skulderrem - Bæresele til batterier
- Knivblad	- Universel deflektor uden afskærmning	- Nødvendig	

## STØJINFORMATION

A-vægtet lydtryksniveau  $L_{pA} = 79.7$  dB(A)

$K_{pA}$  3 dB(A)

A-vægtet lydeffektniveau  $L_{WA} = 94.94$  dB(A)

$K_{WA}$  0.59 dB(A)

Bær høreværn.



## VIBRATIONSINFORMATION

Typisk vægtet vibration  $a_h = 2,45$  m/s<sup>2</sup>

Usikkerhed  $K = 3$  m/s<sup>2</sup>

**⚠ ADVARSEL:** Vibrationsværdien under den faktiske brug af maskinværktøjet kan afvige fra den opgivne værdi afhængigt af måderne, værktøjet benyttes på. Se følgende eksempler på, hvad vibrationerne kan afhænge af:

Hvordan værktøjet bruges og materialerne, der skæres eller bores i.

Værktøjets stand og vedligeholdelse.

Anvendelse af korrekt tilbehør og kontrol med, at det er skarpt og i en i det hele taget god tilstand.

Hvor kraftigt, der holdes fast i håndtaget og, om der benyttes antivibrationsudstyr.

Om værktøjet anvendes i henhold til dets konstruktion og nærværende anvisninger.

**Værktøjet kan medføre et hånd/arm-vibrationsyndrom, hvis det ikke bruges på rigtig måde**

**⚠ ADVARSEL:** En vurdering af udsættelsesgraden under det aktuelle brug skal omfatte alle dele af arbejds cyklussen, herunder antallet af gange værktøjet slås til og fra, og tomgangsdriften uden for selve arbejdsopgaven. Dette kan afgørende reducere udsættelsesniveauet i den samlede arbejdsperiode. Sådan kan du minimere risikoen for udsættelse for vibrationer:

Brug ALTID skarpe mejsler, bor og blade.

Vedligehold værktøjet i overensstemmelse med disse instruktioner og hold det korrekt smurt (hvor det er nødvendigt).

Hvis værktøjet bruges ofte, bør du anskaffe antivibrationsudstyr.

Planlæg dit arbejde, så du kan fordele arbejde med kraftige vibrationer over flere dage.

## MILJØBESKYTTELSE



Affald af elektriske produkter må ikke bortskaffes sammen med husholdningsaffald. Indlever så vidt muligt produktet til genbrug. Kontakt de lokale myndigheder eller forhandleren, hvis du er i tvivl.

## KONFORMITETSERKLÆRING

VI, Positec Germany GmbH  
Postfach 32 02 16, 50796 Cologne, Germany

På vegne af Positec erklæres at produktet

Beskrivelse **Akku-græsstrimmer**  
Type **KC100 KC100.X (1-dpegning af maskiner, repræsentant for Akku-græsstrimmer)**  
Funktioner **græsslåning og lignende blød plantevækst og til trimning af græskanter**

Er i overensstemmelse med følgende direktiver:

**2006/42/EC**

**2014/30/EU**

**2011/65/EU&(EU)2015/863**

**2000/14/EC ændret ved 2005/88/EC**

2000/14/EC ændret ved 2005/88/EC:

- Konformitetstestprocedure pr Anneks VI
- Målt niveau for lydeffekt 94.94 dB (A)
- Deklareret garanteret niveau for lydeffekt 96 dB (A)

Afprøvningsorgan involveret

Navn: **Intertek Deutschland GmbH**

(Afprøvningsorgan 0905)

Adresse: **Stangenstraße 1, 70771 LEINFELDEN-ECHTERDINGEN**

Standarder i overensstemmelse med

**EN 62841-1, FprEN IEC**

**62841-4-4:2020+FprAA:2021-02, EN 62233,**

**EN ISO 3744, EN IEC 55014-1, EN IEC 55014-2**

Personen, autoriseret til at udarbejde den tekniske fil,

Navn **Marcel Filz**

Adresse **Positec Germany GmbH**

Postfach 32 02 16, 50796 Cologne, Germany



2022/12/5

Allen Ding

Vicechef; Ingeniør, Test & Certificering

Positec Technology (China) Co., Ltd

18, Dongwang Road, Suzhou Industrial

Park, Jiangsu 215123, P. R. China

DK

# SISÄLLYSLUETTELO

Johdanto.....	228
Komponenttiluettelo.....	229
Tuoteturvallisuus.....	230
Kokoaminen ja käyttö.....	234
Kuljetus.....	237
Huoltotoimenpiteet.....	237
Puhdistus.....	238
Säilytys.....	238
Vianmäärittäminen.....	239
Tekniset tiedot.....	240
<b>FIN</b> Ympäristönsuojelu.....	241
Vaativuuden mukaisuusvakuutus.....	241

## JOHDANTO

Hyvä asiakas,

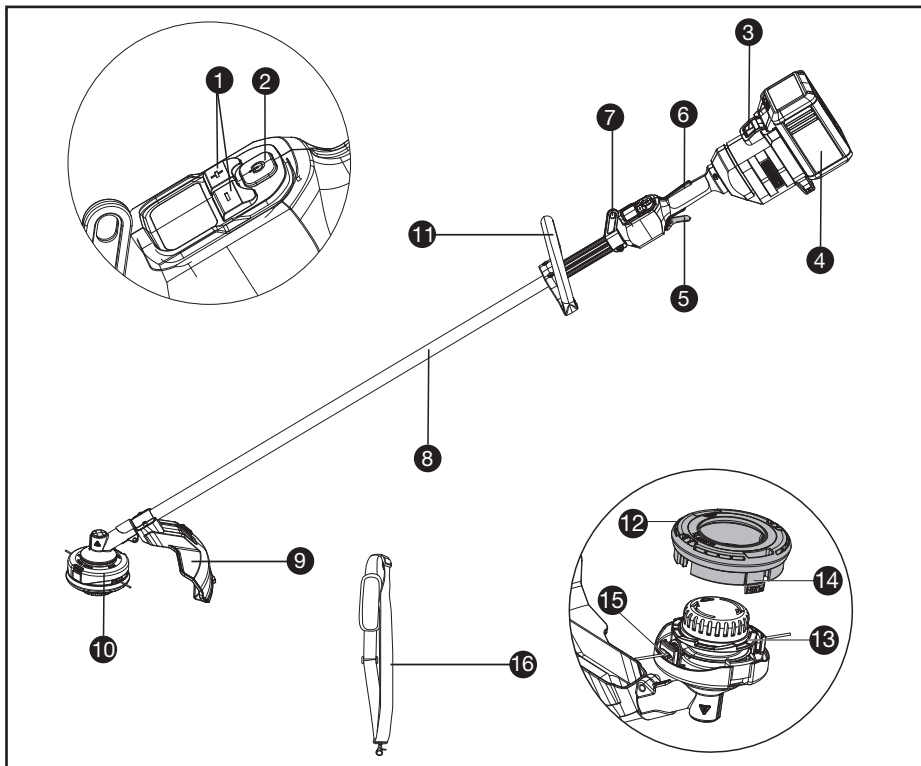
Kiitos, että olet ostanut tämän Kress Commercial-tuotteen. Olemme omistautuneet kehittämään korkealaatuisia tuotteita, jotka täyttävät kaupallisen maisemoinnin vaatimukset.

Kress-tuotemerkki on synonyymi korkealaatuiselle palvelulle. Jos sinulla on kysyttävää tai huolenaiheita tuotteestasi vuosien kuluessa, ota yhteyttä kauppiaseesi tai asiakaspalvelutiimiimme saadaksesi apua.

Olemme vakuuttuneita siitä, että nautit työskentelystä Kress-tuotteesi kanssa tulevien vuosien ajan.

## KÄYTTÖTARKOITUS

Kone on tarkoitettu leikkaamaan ruohoa ja rikkaruohoja, joihin ei pääse käsiksi ruohonleikkurilla. Tätä konetta käytetään myös alueilla, joiden rinteet eivät sovellu ruohonleikkurilla ajamiseen.




## KOMPONENTTILUETTELO

- |     |                             |
|-----|-----------------------------|
| 1.  | NOPEUDENSÄÄTÖ               |
| 2.  | ON/OFF-VIRTAKYTKIN          |
| 3.  | AKKUYKSIKÖN VAPAUTUSPAINIKE |
| 4.  | AKKUYKSIKKÖ *               |
| 5.  | KAASULIIPAININ              |
| 6.  | KÄYTTÄJÄN LÄSNÄOLOKYTKIN    |
| 7.  | OLKAHIHNNAN ASENNUSKOHTA    |
| 8.  | VARSINEN                    |
| 9.  | ROSKASUOJA                  |
| 10. | TRIMMERIPÄÄ                 |
| 11. | ETUKAHOVA                   |
| 12. | KELAN KORKKI                |
| 13. | KELA                        |
| 14. | KORKIN VAPAUTUSSALPA        |
| 15. | SILMUKKA                    |
| 16. | OLKAHIHNA *                 |

\* Kuvissa esitetyt ja selostetut lisävarusteet eivät aina kuulu toimitukseen.

# ALKUPERÄISET OHJEET TURVALLISUUSOHJEET TUOTETURVALLISUUS YLEISET SÄHKÖTYÖKALUJEN TURVALLISUUTEEN LIITTYVÄT VAROITUKSET

 **VAROITUS** Lue kaikki tämän sähkötyökalun mukana toimitetut varoitukset, ohjeet, kuvat ja tekniset tiedot. Alla mainittujen ohjeiden noudattamisen laiminlyönti saattaa aiheuttaa sähköiskun, tulipalon ja/tai vakavan loukkaantumisen.

**Säilytä kaikki turvallisuus- ja muut ohjeet tulevaisuutta varten.**

Turvallisuusohjeissa käytetty käsite "sähkötyökalu" käsittää verkkokäyttöisiä sähkötyökaluja (verkkojohdolla) ja akkukäyttöisiä sähkötyökaluja (ilman verkkojohtoa).

## 1) TYÖPAIKAN TURVALLISUUS

a) **Pidä työskentelyalue puhtaana ja hyvin valaistuna.** Työpaikan epäjärjestys tai valaisemattomat työalueet voivat johtaa tapaturmiin.

b) **Älä työskentele sähkötyökalulla räjähdysalttiissa ympäristössä, jossa on palavaa nestettä, kaasua tai pölyä.** Sähkötyökalu muodostaa kipinöitä, jotka saattavat sytyttää pölyn tai höyryt.

c) **Pidä lapset ja sivulliset loitolla sähkötyökalua käyttäessäsi.** Voit menettää laitteesi hallinnan, huomiosi suuntautuessa muualle.

## 2) SÄHKÖTURVALLISUUS

a) **Sähkötyökalun pistotulpan tulee sopia pistorasiaan. Pistotulppaa ei saa muuttaa millään tavalla. Älä käytä mitään pistorasia-adaptoreita maadoitettujen sähkötyökalujen kanssa.** Alkuperäisessä kunnossa olevat pistotulpat ja sopivat pistorasiat vähentävät sähköiskun vaaraa.

b) **Vältä koskettamasta maadoitettuja pintoja, kuten putkia, pattereita, liesiä tai jääkaappeja.** Sähköiskun vaara kasvaa, jos kehosi on maadoitettu.

c) **Älä käytä laitetta sateessa tai märissä olosuhteissa. Tämä voi lisätä sähköiskun vaaraa.** Jos laite kone ja akku kastuvat sateessa käytön aikana, ne tulee kuivata ennen varastointia tai lataamista. Irrota akku ja aseta se takaisin, jos laite ei käynnisty. Pidä akkuliitäntä vapaana liasta ja roskista, ja puhdista pehmeällä sekä kuivalla harjalla tai liinalla.

d) **Älä käytä verkkojohtoa väärin. Älä käytä sitä sähkötyökalun kantamiseen, vetämiseen tai pistotulpan irrottamiseen pistorasiasta. Pidä**

**johto loitolla kuumuudesta, öljystä, terävistä reunoista ja liikkuvista osista.** Vahingoittuneet tai sokeutuneet johdot kasvattavat sähköiskun vaaraa.

e) **Käyttäessäsi sähkötyökalua ulkona, käytä ainoastaan ulkokäyttöön soveltuvaa jatkojohtoa.** Ulkokäyttöön soveltuvan jatkojohdon käyttö pienentää sähköiskun vaaraa.

f) **Jos sähkötyökalun käyttö kosteassa ympäristössä ei ole vältettävissä, tulee käyttää maavuotokatkaisijaa.** Maavuotokatkaisijan käyttö vähentää sähköiskun vaaraa.

## 3) HENKILÖTURVALLISUUS

a) **Ole valpas, kiinnitä huomiota työskentelyysi ja noudata tervettä järkeä sähkötyökalua käyttäessäsi. Älä käytä sähkötyökalua, jos olet väsynyt tai huumeiden, alkoholin tahi lääkkeiden vaikutuksen alaisena.** Hetken tarkkaamattomuus sähkötyökalua käytettäessä, saattaa johtaa vakavaan loukkaantumiseen.

b) **Käytä suojavarusteita. Käytä aina suojalaseja.** Henkilökohtaisen suojavarustuksen käyttö, kuten pölynaamarin, luistamattomien turvakengien, suojakypärän tai kuulonsuojaimien, riippuen sähkötyökalun lajista ja käyttötavasta, vähentää loukaantumisriskiä.

c) **Vältä tahatonta käynnistämistä. Varmista, että sähkötyökalu on poiskytketty, ennen kuin liität sen sähköverkkoon ja/ tai liität akun, otat sen käteen tai kannat sitä.** Jos kannat sähkötyökalua sormi käynnistyskytkimellä tai kytket sähkötyökalun pistotulpan pistorasiaan, käynnistyskytkimen ollessa käyntiasennossa, altistat itsesi onnettomuuksille.

d) **Poista kaikki säätötyökalut ja ruuvitaltat, ennen kuin käynnistät sähkötyökalun.** Työkalu tai avain, joka sijaitsee laitteen pyöriivässä osassa, saattaa johtaa loukkaantumiseen.

e) **Älä yliarvioi itseäsi. Huolehdi aina tukevasta seisomaasennosta ja tasapainosta.** Täten voit paremmin hallita sähkötyökalua odottamattomissa tilanteissa.

f) **Käytä tarkoitukseen soveltuvia vaatteita. Älä käytä löysiä työvaatteita tai koruja. Pidä hiukset ja vaatteet poissa liikkuvien osien ulottuvilta.** Välijät vaatteet, korut ja pitkät hiukset voivat takertua liikkuviin osiin.

g) **Jos pölynimu- ja keräilylaitteita voidaan asentaa, tulee sinun tarkistaa, että ne on liitetty ja että ne käytetään oikealla tavalla.** Pölynimulaitteiston käyttö vähentää pölyn aiheuttamia vaaroja.

h) **Työskentele keskittyneesti ja noudata aina turvallisuusmääräyksiä.** etkellinenkin huolimattomuus voi aiheuttaa vakavia vammoja.

## 4) SÄHKÖTYÖKALUJEN KÄYTTÖ JA HOITO

a) **Älä ylikuormita laitetta. Käytä kyseiseen työhön tarkoitettua sähkötyökalua.** Sopivaa

sähkötyökäluä käyttäen työskentelet paremmin ja varmemmin tehoalueella, jolle sähkötyökälu on tarkoitettu.

- b) **Älä käytä sähkötyökäluä, jota ei voida käynnistää ja pysäyttää käynnistyskytkimestä.** Sähkötyökälu, jota ei enää voida käynnistää ja pysäyttää käynnistyskytkimellä, on vaarallinen ja se täytyy korjata.
- c) **Irrota pistotulppa pistorasiasta ja/tai irrota akku (jos irrotettava) sähkötyökäluä, ennen kuin suoritat säätöjä, vaihdat tarvikkeita tai viet sähkötyökäluä varastoon.** Nämä turvatoimenpiteet pienentävät sähkötyökäluä tahattoman käynnistysriskin.
- d) **Säilytä sähkötyökäluä poissa lasten ulottuvilta, kun niitä ei käytetä. Älä anna sellaisten henkilöiden käyttää sähkötyökäluä, jotka eivät tunne sitä tai jotka eivät ole lukeneet tätä käyttöohjetta.** Sähkötyökäluä ovat vaarallisia, jos niitä käyttävät kokemattomat henkilöt.
- e) **Pidä sähkötyökäluä ja tarvikkeet hyvässä kunnossa.** Tarkista, että liikkuvat osat toimivat moitteettomasti, eivätkä ole puristuksessa sekä, että siinä ei ole murtuneita tai vahingoittuneita osia, jotka saattaisivat vaikuttaa haitallisesti sähkötyökäluä toimintaan. Anna korjauttaa mahdolliset viat ennen käyttöönottoa. Momen tapaturman syyt löytyvät huonosti huolletuista laitteista.
- f) **Pidä leikkausterät terävinä ja puhtaina.** Huolellisesti hoidetut leikkaustyökäluä, joiden leikkausreunat ovat teräviä, eivät tartu helposti kiinni ja niitä on helpompi hallita.
- g) **Käytä sähkötyökäluä, tarvikkeita, vaihtotyökäluä jne. näiden ohjeiden mukaisesti.** Ota tällöin huomioon työolosuhteet ja suoritettava toimenpide. Sähkötyökäluä käyttöön muuhun kuin sille määrättyyn käyttöön, saattaa johtaa vaarallisiin tilanteisiin.
- h) **Pidä kahvat ja kädensijat kuivina ja puhtaina (öljyttöminä ja rasvattomina).** Jos kahvat ja kädensijat ovat liukkaita, et pysty yllättävissä tilanteissa ohjaamaan ja hallitsemaan työkäluä turvallisesti.
- 5) **AKKUKÄYTTÖISTEN SÄHKÖTYÖKÄLUJEN KÄYTTÖ JA HOITO**
- a) **Lataa akku vain valmistajan määräämässä latauslaitteessa.** Latauslaite, joka soveltuu määrättyntyyppiselle akulle, saattaa muodostaa tulipalovaaran erilaista akkuä ladattaessa.
- b) **Käytä sähkötyökäluä ainoastaan kyseiseen sähkötyökäluun tarkoitettua akkuä.** Jonkun muun akun käyttö saattaa johtaa loukkaantumiseen ja tulipaloon.
- c) **Pidä irrallista akkuä loitolla metalliesineistä, kuten paperinliittimistä, kolikoista, avaimista, nautoista, ruuveista tai muista pienistä metalliesineistä, jotka voivat oikosulkea akun koskettimet.**

Akkukoskettimien välinen oikosulku saattaa aiheuttaa palovammoja tai johtaa tulipaloon.

- d) **Väärästä käytöstä johtuen saattaa akusta vuotaa nestettä, jota ei tule koskettaa. Jos nestettä vahingossa joutuu iholle, huuhtelee kosketuskohta vedellä. Jos nestettä pääsee silmiin, tarvitaan tämän lisäksi lääkärin apua.** Akusta vuotava neste saattaa aiheuttaa ärsytystä ja palovammoja.
- e) **Älä käytä akkuä tai työkäluä, joka on voittunut tai johon on tehty muutoksia.** Jos akut ovat vioittuneet tai niihin on tehty muutoksia, ne voivat toimia ennalta arvaamattomasti ja aiheuttaa tulipalon, räjähdyksen tai loukkaantumisvaaran.
- f) **Älä altista akkuä tai työkäluä tullelle tai ääri lämpötiloille.** Tullelle tai yli 130°C asteen lämpötilalle altistaminen saattaa aiheuttaa räjähdyksen.
- g) **Noudata latausohjeita ja lataa akkuä tai työkäluä ohjeenmukaisen lämpötila-alueen rajoissa.** Lataaminen virheellisesti tai ohjeiden vastaisessa lämpötilassa saattaa vaurioittaa akkuä ja lisätä palovaaraa.
- 6) **HUOLTO**
- a) **Anna koulutettujen ammattihenkilöiden korjata sähkötyökäluä ja hyväksy korjauksiin vain alkuperäisiä varaosia.** Täten varmistat, että sähkötyökäluä säilyy turvallisena.
- b) **Älä missään tapauksessa yritä itse korjata vaurioituneita akkuä.** Akkuä saa korjata vain valmistaja tai valtuutettu huoltopiste.

## PENSASLEIKKURIN JA PENSASSAHAN TURVALLISUUSVAROITUKSET

- a) **Vältä koneen käyttöä huonoissa sääolosuhteissa ja varsinkin salamaniskun vaaran aikana.** Tämä vähentää salamaniskun riskiä.
- b) **Tarkasta perusteellisesti alue, jossa konetta aiotaan käyttää, villieläinten varalta.** Kone voi vahingoittaa villieläimiä käytön aikana.
- c) **Tarkasta perusteellisesti alue, jossa konetta aiotaan käyttää, ja poista kaikki kivet, tikut, johdot, luut ja muut vieraat esineet käytön tieltä.** Lentävät esineet voivat aiheuttaa henkilövahinkoja.
- d) **Ennen koneen käyttöä on aina tarkastettava silmämääräisesti, että leikkuri tai terä tai leikkuri- tai teräkööpano eivät ole vaurioituneet.** Vaurioituneet osat lisäävät loukkaantumisriskiä.
- e) **Noudata lisävarusteiden vaihtamista koskevia ohjeita.** Väärin kiristetyt terän kiinnitysmutterit tai -pultit voivat joko vahingoittaa terää tai johtaa sen irtoamiseen.
- f) **Terän nimellispyörimisnopeuden on oltava vähintään yhtä suuri kuin koneeseen merkitty enimmäispyörimisnopeus.**

- Nimellispyörimisnopeuttaan nopeammin pyörivät terät voivat rikkoutua ja lentää koneesta.
- g) Käytä silmien, korvien, pään ja käsien suojaimia. Asianmukaiset suojavarusteet vähentävät lentävien roskien aiheuttamaa henkilövahinkoja tai vahingossa tapahtuvaa kosketusta leikkaussiiman tai terän kanssa.
- h) Käytä koneen käytön aikana aina turvajalkineita. Älä käytä konetta paljain jaloin tai avoimissa sandaaleissa. Tämä vähentää jalkojen loukkaantumisen mahdollisuutta kosketuksesta liikkuvaan leikkuriin, siimaan tai terään.
- i) Käytä konetta käyttäessäsi aina pitkiä housuja. Paljaana oleva iho lisää lentävien esineiden aiheuttamien vammojen todennäköisyyttä.
- j) Pidä sivulliset loitolla koneen käytön aikana. Lentävät roskat voivat aiheuttaa vakavia henkilövahinkoja.
- k) Käytä konetta aina kahdella kädellä. Koneen käyttäminen molemmilla käsillä estää hallinnan menettämisen.
- l) Pidä koneesta kiinni vain eristetyistä tartuntapinnoista, koska leikkaussiima tai terä voi koskettaa piilossa olevia johtoja. Jos leikkaussiima tai terät joutuvat kosketuksiin jännitteisen johdon kanssa, koneen näkyvät metalliosat voivat olla jännitteisiä ja käyttäjä voi saada tästä johtuen sähköiskun.
- m) Pidä aina kunnollinen jalansija ja käytä konetta vain seisossasi maassa. Liukkaat tai epävakaat pinnat voivat aiheuttaa tasapainon tai koneen hallinnan menettämisen.
- n) Älä käytä konetta liian jyrkissä rinteissä. Näin hallinnan menettämisen, liukastumisen ja putoamisen riskit ovat pienemmät, mikä ehkäisee henkilövahinkojen syntymistä.
- o) Kun työskentelet rinteessä, varmista aina hyvä jalansija, työskentele aina rinteeseen poikkisuunnassa äläkä koskaan ylös- tai alaspäin, ja ole erittäin varovainen suuntaa vaihtaessasi. Näin hallinnan menettämisen, liukastumisen ja putoamisen riskit ovat pienemmät, mikä ehkäisee henkilövahinkojen syntymistä.
- p) Pidä kaikki kehon osat kaukana leikkurista, siimasta tai terästä koneen ollessa käynnissä. Varmista ennen koneen käynnistämistä, että leikkuri, siima tai terä ei ole kosketuksissa mihinkään. Hetkellinen huolimattomuus konetta käytettäessä voi aiheuttaa vammoja itsellesi tai muille.
- q) Älä käytä konetta vyötärönkorkeuden yläpuolella. Tämä auttaa estämään tahattoman leikkurin tai terän kosketuksen ja mahdollistaa koneen paremman hallinnan odottamattomissa tilanteissa.
- r) Kun leikkaat jännittyneitä pensaita tai taimia, ota huomioon takaisin kimpoamisen riski. Kun puukuitujen jännitys vapautuu, harja tai taimikko voi osua kuljettajaan ja/tai aiheuttaa koneen hallinnan menettämisen.
- s) Noudata äärimmäistä varovaisuutta leikatessasi pensaita ja taimia. Hento materiaali voi tarttua terään ja heilahtaa sinua kohti tai aiheuttaa tasapainon menetyksen.
- t) Pidä kone hallinnassa äläkä koske leikkureihin, siimoihin tai teriin tai muihin vaarallisiin liikkuviin osiin niiden ollessa vielä liikkeessä. Tämä vähentää liikkuvien osien aiheuttamaa loukkaantumiskärsiä.
- u) Kuljeta laitetta vain pois päältä kytketynä ja etäällä kehostasi. Koneen asianmukainen käsittely vähentää todennäköisyyttä joutua vahingossa kosketuksiin liikkuvan leikkurin, siiman tai terän kanssa.
- v) Koneen kuljettamisen tai varastoinnin aikana tulee aina kiinnittää suojus metalliteriin. Koneen asianmukainen käsittely vähentää todennäköisyyttä, että joutuisi vahingossa kosketuksiin terän kanssa.
- w) Käytä vain valmistajan määrittelemiä leikkureita, siimoja, leikkuupäätä ja teriä. Vääränlaiset varaosat voivat lisätä rikkoutumis- ja loukkaantumiskärsiä.
- x) Puhdistettaessa juuttunutta materiaalia tai konetta huollettaessa tulee varmistaa, että kytkin on pois päältä ja akkuyksikkö irrotettu. Koneen odottamaton käynnistyminen juuttuneen materiaalin poistamisen tai huollon aikana voi aiheuttaa vakavia henkilövahinkoja.

## TAKAPOTKUN SYYT JA SIIHEN LIITTYVÄT VAROITUKSET

Takapotku on äkillinen sivuttainen, eteenpäin tai taaksepäin tapahtuva koneen liike, joka saattaa tapahtua terän jumituessa tai takertuessa esteeseen, kuten puun tai kanto. Se voi olla riittävän raju aiheuttamaan koneen ja/tai käyttäjän työntämisen mihin tahansa suuntaan ja mahdollisesti menettämään koneen hallinnan.

Takapotku ja siihen liittyvät vaarat voidaan välttää noudattamalla alla annettuja varoituksia.

- a) Pidä koneesta tiukasti kiinni molemmilla käsillä ja aseta kätesi vastustamaan terän takapotkua. Sijoita vartalosi koneen vasemmalle puolelle. Takapotku voi lisätä loukkaantumisen riskiä koneen odottamattoman liikkeen vuoksi. *Käyttäjällä voi hallita terän takapotkua, jos asianmukaisia varoituksia noudatetaan.*
- b) Jos terä jumittuu tai leikkuu keskeyty jostakin syystä, sammuta kone ja pidä kone liikkumatta materiaalissa, kunnes terä pysähtyy kokonaan. Kun terä on jumissa, älä koskaan yritä irrottaa konetta materiaalista tai vetää konetta taaksepäin terän liikkua, tällöin voi tapahtua terän takapotku. *Tutki terän jumitutumista mahdollisesti aiheuttavista syistä ja ryhdy korjaaviin toimiin syiden poistamiseksi.*
- c) Älä käytä tylsiä tai vahingoittuneita teriä.



Tylsät tai vahingoittuneet terät lisäävät esteeseen jumiumutuksen tai takertumisen riskiä, jonka tuloksena voi olla takapotku.

- d) Pidä aina hyvä näkyvyys leikattavaan materiaaliin. Terän takapotku tapahtuu todennäköisemmin alueilulla, joilla on vaikea nähdä leikattavaa materiaalia.
- e) Jos toinen henkilö lähestyy sinua koneen käytön aikana, sammuta kone. Liikkuvan terän aiheuttaman muiden henkilöiden loukkaantumisen riski kasvaa terän takapotkun yhteydessä.

## AKUN TURVAOHJEET

- a) Älä pura, avaa tai revi nappiparistoja tai akkua.
- b) Älä aiheuta akkuun oikosulkuja. Älä säilytä akkuja sattumanvaraisesti laatikossa tai kaapissa, jossa ne voivat joutua oikosulkuun toistensa tai muiden metalliesineiden kanssa. Kun akku ei ole käytössä, pidä se kaukana muista metalliesineistä, kuten paperiliittimistä, kolikoista, avaimista, nauloista, ruuveista tai muista pienistä metalliesineistä, jotka voivat muodostaa yhteyden päätteiden välille. Akkujen päätteiden yhteiset oikosulut voivat aiheuttaa palovammoja tai tulipalon.
- c) Älä altista akkua kuumuudelle tai tullelle. Älä säilytä sitä suorassa auringonvalossa.
- d) Älä kohdista akkuun mekaanisia iskuja
- e) Jos paristo vuotaa, älä päästä nestettä kosketuksiin ihon tai silmien kanssa. Jos näin käy, huuhtelee kosketusalue runsaalla vedellä ja hakeudu lääkärin hoitoon
- f) Pidä akku puhtaana ja kuivana.
- g) Pyyhi akun päätteet puhtaalla, kuivalla liinalla, jos ne ovat likaantuneet.
- h) Akku on ladattava ennen käyttöä. Käytä aina oikeaa laturia ja oikeita latausmenetelmiä.
- i) Älä jätä akkua ladattavaksi pitkään, jos sitä ei käytetä.
- j) Pitkän varastointiajan jälkeen voi olla välttämätöntä ladata ja purkaa akku useita kertoja maksimaalisen suorituskyvyn saavuttamiseksi.
- k) Lataa vain Kress in määrittelemällä laturilla. Älä käytä mitään muuta kuin laitteen toimitukseen kuuluvaa laturia. Laturi, joka sopii yhteen akkuun voi aiheuttaa tulipalon vaaran, jos sitä käytetään toisenlaisessa akussa.
- l) Älä käytä mitään akkua, jota ei ole suunniteltu käytettäväksi kyseisessä laitteistossa.
- m) Pidä akku lasten ulottumattomissa.
- n) Säilytä tuotteen alkuperäiset asiakirjat tulevaa käyttöä varten.
- o) Poista akku laitteesta, kun laitetta ei käytetä.
- p) Hävitä käytetty akku oikein.
- q) Älä sekoita laitteeseen eri valmistuksen, kapasiteetin, koon tai tyyppin paristoja.
- r) Pidä akku pois mikroaallojen ja korkean paineen vaikutusalueelta.

## LANGATTOMAN TUOTTEEN KÄYTTÖOPPAAN VAATIMUKSET

- a) Tämän laitteen käyttö edellyttää seuraavia kahta ehtoa:
- (1) Tämä laite ei saa aiheuttaa haitallisia häiriöitä, ja
- (2) tämän laitteen on hyväksyttävä kaikki vastaanotetut häiriöt, mukaan lukien häiriöt, jotka voivat aiheuttaa ei-toivottua toimintaa.
- b) Varoitus: Muutokset tähän laitteeseen, joita vaatimustenmukaisuudesta vastaava taho ei ole nimenomaisesti hyväksynyt, voivat mitätöidä käyttäjän oikeuden käyttää laitetta.
- c) HUOMAA: Tämä laite tuottaa, käyttää ja voi säteillä radiotaajuusenergiaa, ja jos sitä ei asenneta ja käytetä ohjeiden mukaisesti, se voi aiheuttaa haitallisia häiriöitä radioviestintään. Ei kuitenkaan ole mitään takeita siitä, ettei häiriöitä esiinny. Jos tämä laite aiheuttaa haitallisia häiriöitä radio- tai televisiovastaanotossa, mikä voidaan todeta kytkemällä laite pois päältä ja päälle, käyttäjää kehoitetaan yrittämään korjata häiriöt yhdellä tai useammalla seuraavista toimenpiteistä:
- Suuntaa vastaanottoantenni uudelleen tai siirrä se muualle.
  - Lisää laitteen ja vastaanottimen välistä etäisyyttä.
  - Kytke laite pistorasiaan, jonka virtapiiri on eri kuin se, johon vastaanotin on kytketty.
  - Kysy apua jälleenmyyjältä tai kokeneelta radio-/tv-tekniikolta.

FIN

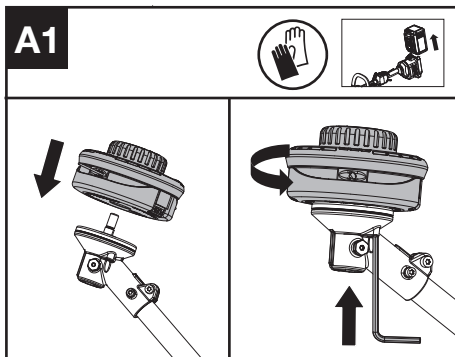
## SYMBOLIT

	Loukkaantumisen riskin vähentämiseksi käyttäjän on luettava käyttöohjeet.
	Käytä silmä-, korva- ja päänsuojaimia
	Käytä luistamista estäviä jalkineita
	VAROITUS - Koneen ja sivullisten välisen etäisyyden on oltava vähintään 15 m (50 ft)"
	VAROITUS - Varo lentäviä esineitä.

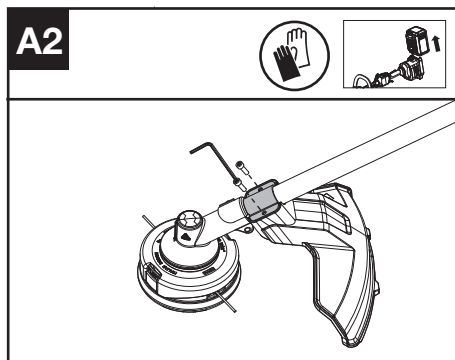
	VAROITUS – Varo terän työntövoimaa.
	Älä käytä metalliteriä
	VAROITUS - Kytke akku irti ennen huoltoa.
	Käytä suojakäsineitä
	Romutettuja sähkölaitteita ei saa heittää pois talousjätteen mukana. Toimita ne kierrätyspisteeseen. Lisätietoja kierrätyksestä saa paikallisilta viranomaisilta tai jälleenmyyjältä.
	Litiumioniakku Tämä tuote on merkitty symbolilla, joka liittyy kaikkien akkujen ja akkujen "erilliseen keräämiseen". Sitten se kierrätetään tai poistetaan ympäristövaikutusten vähentämiseksi. Akku saattaa olla haitallista ympäristölle ja ihmisten terveydelle, koska se sisältää haitallisia aineita.
	Älä hävitä tulessa
	Akkujen sisältö voi joutua veden kiertoon, jos ne hävitetään virheellisesti. Älä hävitä akkuja lajittelemattomana kotitalousjätteenä.
	Make sure the battery is removed prior to changing accessories.
	Trimmaus

## Leikkuupään kokoaminen (ks. kuva A1)

Asenna leikkuupää. Aseta kuusiokoloavain reikään ja käännä trimmerin päätä, kunnes se pysähtyy lukittuun asentoon.

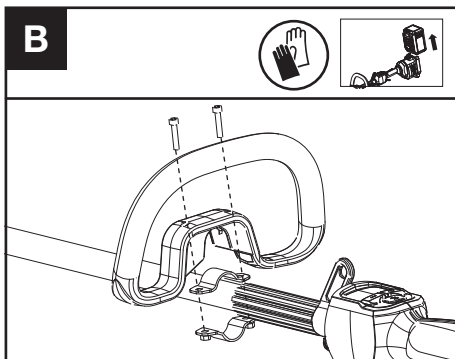


## Roskasuojan kokoaminen (ks. kuva A2)



1. Asenna trimmerin päähän oikea roskasuoja.
2. Kiinnitä suoja paikalleen ruuvilla ja torx-avaimella.

## Etukahvan kokoaminen (ks. kuva B)



1. Kiinnitä etukahva ja alempi kiinnitin varteen.
2. Laita pultti reikiin läpi.
3. Kiristä etukahvaa.

## ASENNUS & OPERAATIO

**HUOM:** Lue ohjekirja huolellisesti ennen työkalun käyttöä.

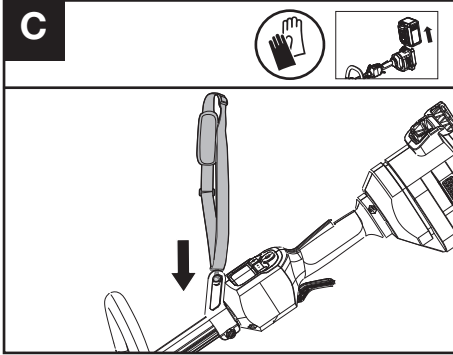
**ENNEN KÄYTTÖÄ:**



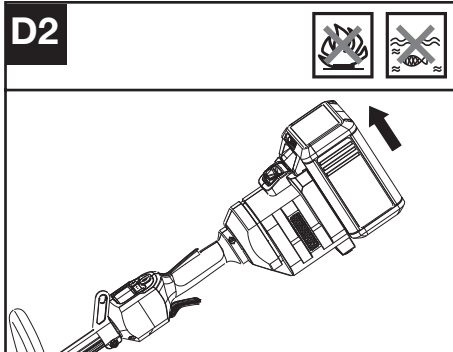
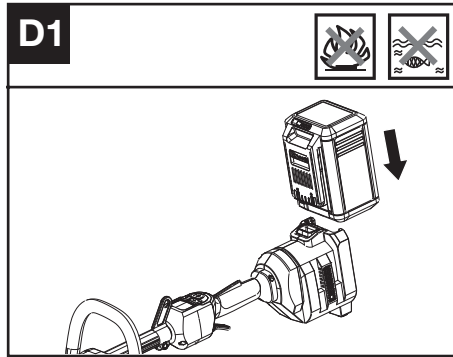
**VAROITUS:** Säädä etukahvaa halutessasi niin, että etukäsi on suorassa, kun käytät trimmeriä.

### Olkahihnan asentaminen (myydään erikseen) (ks. kuva C)

1. Säädä olkahihnan pituutta niin, että karbiinihaka on noin käden leveyden verran lantiosi yläreunan alapuolella.
2. Kytke olkahihnan karbiinihaka trimmerin varressa olevaan kiinnityspisteeseen.



### Akkuyksikön asentaminen ja irrottaminen (ks. kuvat D1 ja D2)



1. Liu'uta akkuyksikkö akkulokeroon siten, että kuulet naksahduksen.
2. Vapauta akkuyksikkö työkalusta painamalla akun vapautuspainiketta.

### KYTKENTÄ REPPUVALJAIISIIN (KS. KUVA D3)

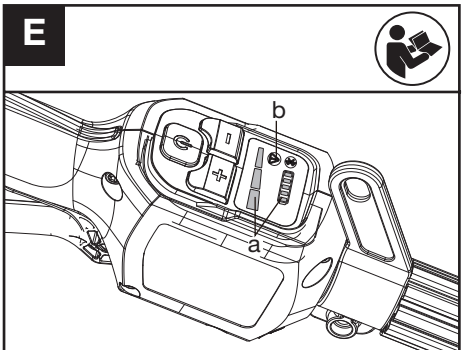
Trimmeri voidaan liittää lisävarusteena saataviin reppuvaljaisiin (ei toimiteta trimmerin mukana). Katso lisätietoja reppuvaljaiden käyttöohjeesta.



### TRIMMERIN JA AKUN TESTAAMINEN (KS. KUVA E)

#### Hallintalaitteiden tarkistaminen Käyttäjän läsnäolokytkin ja kaasuliipaisin

1. Irrota akku.
2. Yritä painaa kaasuliipaisinta. Jos kaasuliipaisin painautuu ilman käyttäjän läsnäolokytkimen painamista, käyttäjän läsnäolokytkin on viallinen. Lopeta trimmerin käyttö ja ota yhteys huoltoedustajaan.
4. Paina ja pidä alhaalla ensin käyttäjän läsnäolokytkintä ja paina sitten kaasuliipaisinta.
5. Vapauta kaasuliipaisin ja käyttäjän läsnäolokytkin. Jos kaasuliipaisin tai käyttäjän läsnäolokytkin on juuttunut jumiin eikä pääse palautumaan takaisin alkuperäiseen asentoonsa. Lopeta trimmerin käyttö ja ota yhteys huoltoedustajaan.



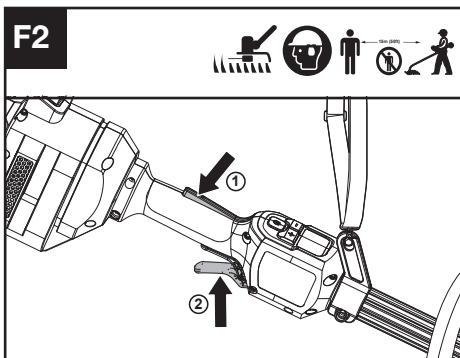
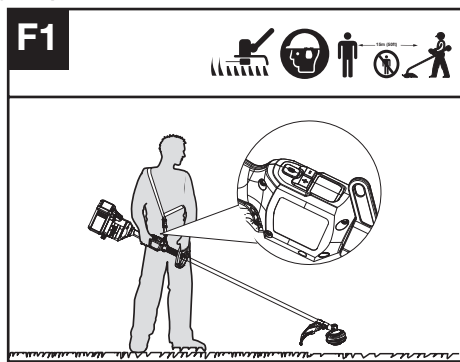
#### Näytön tarkistaminen

1. Asenna akku paikalleen.

2. Paina ja pidä On/Off-virtakytkintä painettuna. Tuote on päällä, kun LED (a) palaa. Tuote on pois päältä, kun LED (a) ei pala.
3. Käynnistä kone painamalla ensin käyttäjän läsnäolokytkintä ja paina sitten kaasuliipaisinta. Trimmerin pää pyörii.
4. Jos varoitusvalo (b) syttyy tai vilkkuu, katso ratkaisut kohdasta Vianmääritys.
5. Vapauta kaasuliipaisin. Trimmerin pyörivä pää pysähtyy lyhyen viiveen jälkeen. Jos trimmerin pää jatkaa pyörimistä, irrota akku ja ota yhteys huoltoedustajaan.

## KÄYTTÖ:

### Trimmerin käynnistäminen (katso kuvat F1 ja F2)



1. Pidä trimmeriä tukevasti ohjauksehänä oikealla kädellä ja kierrä peukalo kahvan ympärille. Pidä trimmeriä apukahvasta vasemmalla kädellä ja kierrä peukalo kahvan ympärille.
2. Paina ja pidä On/Off-virtakytkintä painettuna, kunnes vihreä LED palaa. Vihreä LED osoittaa virran tason.
3. Käynnistä kone painamalla ensin käyttäjän läsnäolokytkintä ja paina sitten kaasuliipaisinta. Käynnistyksen/sammutuksen vihreä LED sammuu 5 sekunnin kuluttua siitä, jos sitä ei käytetä turvamenettelyinä. Kun laitteella ei leikata, se pysyy silti päällä, jos käyttäjän läsnäolokytkintä pidetään alhaalla ilman, että konetta käytetään. Jos vihreä LED sammuu, tuote on käynnistettävä

uudelleen.

**HUOM:** Käyttäjän läsnäolokytkin on suunniteltu estämään tahatonta käyttöä. Käyttäjän läsnäolokytkimen painaminen vapauttaa kaasuliipaisimen.

### Nopeuden valitseminen

Käyttökohteesta riippuen voidaan asettaa 3 eri tehotasoa. Säädä nopeutta +/- näppäimillä. LED-valot ilmaisevat valitun nopeustason. Mitä suurempi tehotaso, sitä nopeammin leikkuuosaa voi toimia.

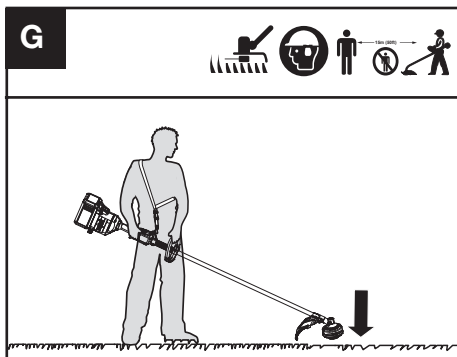
### Trimmerin pysäyttäminen

Vapauta kaasuliipaisin pysäyttääksesi koneen.

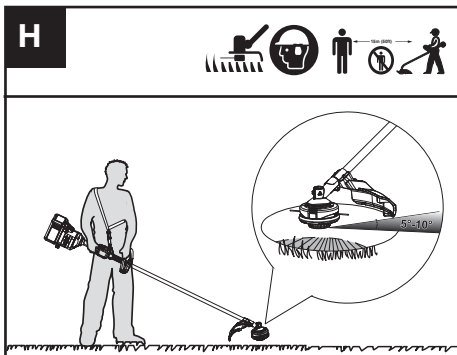
**VAROITUS:** Leikkaava pää pyörii senkin jälkeen kun trimmeri on sammutettu. Odota kunnes se pysähtyy ja laske työkalu sitten maahan.

### Bump line -syöttöjärjestelmä (Katso kuva G)

Trimmeri on varustettu puskurilinjajärjestelmällä. Aina kun kosketat trimmerin päätä koneen ollessa käynnissä, uusi linja tulostetaan.



### Leikkuuvihjeet (ks. kuva H)



1. Heiluta trimmeriä puolelta toiselle leikattavan alueen poikki.

2. Käytä leikkaussiiman kärkeä leikkaamiseen. Älä työssä väkisin trimmerin päätä leikkaamattomaan ruohon.
3. Vajeri- ja piikkiaidat voivat aiheuttaa ylimääräistä leikkaussiiman kulumista ja rikkoutumista. Kivi- ja tiiliseinät, kivitykset ja puu voivat kuluttaa leikkaussiimaa nopeasti.
4. Vältä puita ja pensaita. Leikkaussiima voi helposti vahingoittaa puun kuorta, puulistoja, laudoituksia ja aidan pylväitä.
5. Valittu tehotaso vaikuttaa akun käyttöaikaan. Mitä pienempi tehotaso, sitä pidempi käyttöaika. On suositeltavaa käyttää pienintä tehotasoa, elleivät leikkauksen olosuhteet vaadi tehokkaampaa tasoa.

## AKKUTYÖKALUJA VARTEN

Suosittelava käyttöympäristön lämpötila-alue akun tyhjennystä varten on  $-20^{\circ}\text{C}\sim 45^{\circ}\text{C}$  ( $-4^{\circ}\text{F}\sim 113^{\circ}\text{F}$ ). Latausjärjestelmälle suositeltu käyttöympäristön lämpötila-alue latauksen aikana on  $-5^{\circ}\text{C}\sim 45^{\circ}\text{C}$  ( $23^{\circ}\text{F}\sim 113^{\circ}\text{F}$ ).

## KULJETUS

### Trimmerin kuljettaminen

1. Sammuta trimmeri ja irrota akku.
2. Kun kuljetat trimmeriä käsin, pidä kiinni varren keskiosasta leikkuupää taaksepäin ja varmista, että kone on samansuuntaisessa asennossa maanpinnan kanssa.
3. Kun kuljetat trimmeriäsi ajoneuvossa, kiinnitä ja sijoita se siten, että se ei liiku tai vahingoitu.

### Akun kuljettaminen

1. Varmista, että akku on turvallisessa kunnossa.
2. Käytä akkua kuljettaessa ei-johtavaa pakkausta.
3. Sisältyviin litiumioniakkuihin sovelletaan vaarallisia aineita koskevaa lainsäädäntöä. Kuljeta akkuja vain, jos akkukotelo on vahingoittumaton. Pakkaa akut niin, että ne eivät pääse liikkumaan pakkauksessa.

## HUOLTOTOIMENPITEET

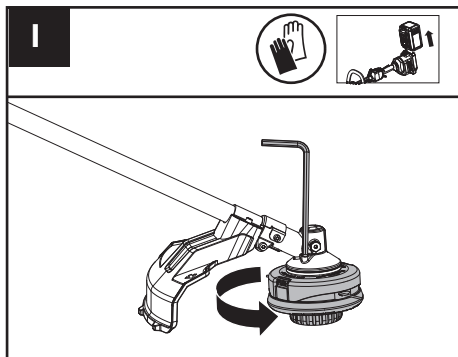
**VAROITUS!** Irrota akku aina ennen trimmerin huoltotoimenpiteitä.

### Trimmerin pään vaihto (katso kuva I)

**VAROITUS!** Lankavajerin tai metallivahvisteisen siiman käyttö ei ole sallittua, ja se voi olla erittäin vaarallista. Käytä vain tässä käsikirjassa suositeltua leikkaussiimaa yhdessä suositellun roska-suojan kanssa.

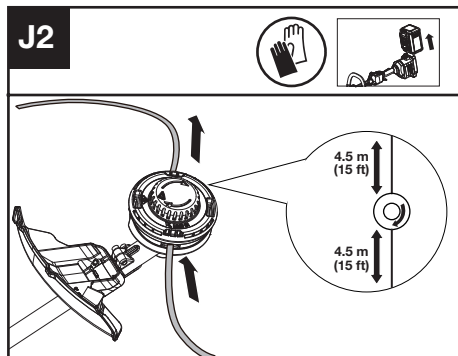
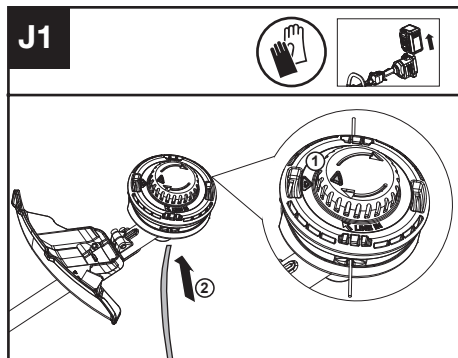
**VAROITUS!** Vaurioitunut tai löysä leikkuulaitteen pää voi täristä, murtua, rikkoutua tai irrota trimmeristä, mikä voi aiheuttaa vakavia tai kuolemaan johtavia vammoja tai omaisuusvahinkoja. Varmista ennen

työn aloittamista, että trimmerin pää on kunnolla kiinni ja hyvin kiristetty, ja että se on hyvässä kunnossa.



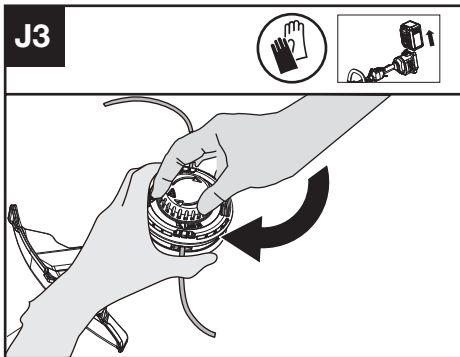
1. Aseta kuusiokoloavain reikään ja käännä trimmerin päätä, kunnes se pysähtyy lukittuun asentoon.
2. Kierrä sitten myötäpäivään irrottaaksesi sen ja vastapäivään kootaksesi sen.

### Siiman asennus paikalleen (ks. kuvat J1, J2 ja J3).

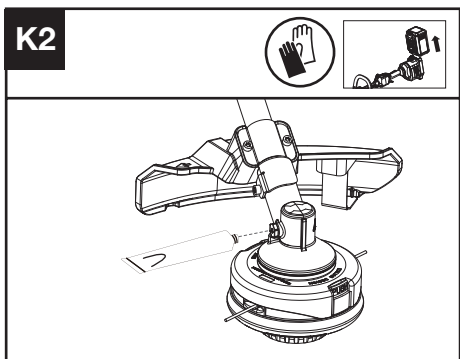
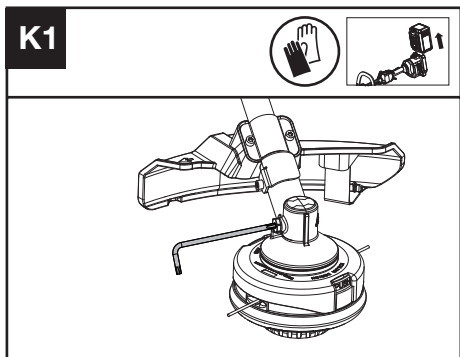


1. Käännä kelan korkkia niin, että kaksi kolmiokuvaketta menevät kohdakkain. (Katso kuva J1)

2. Työnnä siima silmukan läpi (Line In) ja työnnä se ulos toisen silmukan läpi. Varmista, että siiman molemmat päät ovat tasaisesti trimmerin pään kummassakin päässä (suositellaan 4.5 metriä) ja katkaise siima. (Katso kuva J2)
3. Kierrä säätöpyörää myötäpäivään kelataksesi siimaa kelan ympärille, kunnes kummallekin puolelle jää noin 16 cm (6"). (Katso kuva J3)



### Vaihteiston voitelu (ks. kuvat K1, K2).

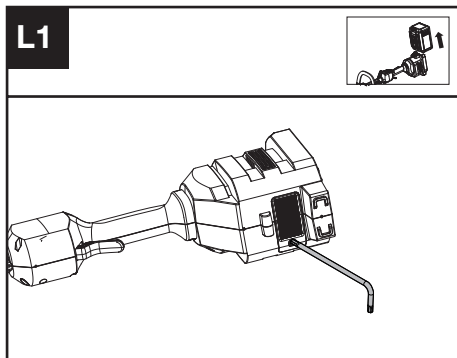


1. Irrota vaihdelaatikon ruuvi.
2. Jos ruuvien päässä ei ole rasvaa, purista 5 g hammasspyörärasvaa (SHELL Gadus S2 V220 1) vaihteistokoteloon.
3. Asenna ruuvi takaisin paikalleen ja ruuvaa se

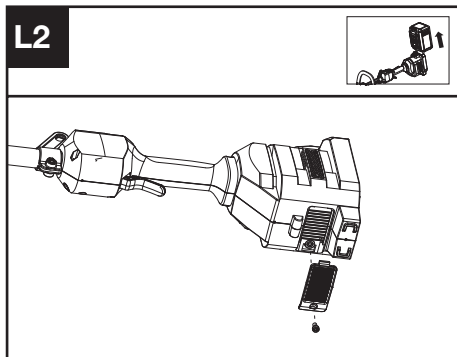
kiinni tiukasti.

4. Asenna akku paikalleen ja käytä trimmeriä noin minuutin ajan varmistaaksesi, että vaihteisto on tasaisesti voideltu.

### Ilmansuodattimen puhdistaminen (ks. kuvat L1, L2)



1. Puhdista ilmansuodatinta ympäröivä alue. Käytä kosteaa liinaa tai pehmeää harjaa.
2. Ruuvaa irti ja poista ilmansuodatin.
3. Pese ilmansuodatin juoksevilla vedellä lian poistamiseksi.
4. Anna ilmansuodattimen kuivua ilmassa. Asenna se sitten koteloon ruuvia kiristämällä.



### Huoltovälit

Vaihteisto on suositeltavaa voidella ja ilmansuodatin puhdistaa 50 käyttötunnin välein perustuen todelliseen käyttöön.

## PUHDISTUS

1. Sammuta trimmeri ja irrota akku.
2. Älä käytä aggressiivisia pesuaineita tai liuottimia. Puhdista kone käytön jälkeen kostealla liinalla, joka on kastettu miettoon pesuaineeseen.
3. Pidä akkuliitainta vapaana liasta ja roskista, ja puhdista pehmeällä ja kuivalla harjalla tai liinalla.
4. Älä suihkuta vettä moottorin ja sähkökomponenttien päälle.
5. Älä käytä painepesuria koneen puhdistamiseen.

# SÄILYTYS

1. Irrota akkuyksikkö trimmeristä ennen säilömistä.
2. Jos laite kone ja akku kastuvat sateessa käytön aikana, ne tulee kuivata ennen varastointia tai lataamista. Irrota akku ja aseta se takaisin, jos laite ei käynnisty.
3. Säilö trimmeri ja akku kuivaan ja turvalliseen paikkaan, johon lapset ja muut luvattomat henkilöt eivät pääse käsiksi. Irrota leikkuuvaruste, jos sitä ei käytetä pitkään aikaan.
4. Säilytä akkua vain 5 °C:n (41 °F) ja 25 °C:n (77 °F) välisellä lämpötila-alueella. Älä esimerkiksi jätä akkua autoon kesäaikaan.

## VIANETSINTÄ

Seuraavassa taulukossa esitetään ongelmia ja toimenpiteitä, joita voit suorittaa, jos koneesi ei toimi oikein.



**VAROITUS: Sammuta kone ja irrota akku ennen vianetsinnän suorittamista.**

### TRIMMERI

Ongelmat	Mahdolliset syyt	Korjaavat toimenpiteet
Akun LED-merkkivalo vilkkuu	Akun lataustaso on alhainen.	Lataa akku.
Punainen LED-virhevalo vilkkuu	Ylikuormitus.	Leikkuuvaruste on jumitunut. Deaktivoi tuote. Irrota akku. Puhdista leikkulaite ei-toivotuista materiaaleista.
	Lämpötilaongelma.	Anna tuotteen jäähtyä.
	Kaasuliipaisinta ja ON/OFF-virtakytkintä painetaan samanaikaisesti.	Vapauta kaasuliipaisin. Suorita aloitusjakso uudelleen.
	Muut ongelmat	Ota yhteyttä huoltoedustajaan
Laite ei käynnisty	Roskaa akun liittimissä.	Puhdista akun liittimet paineilmalla tai pehmeällä harjalla.
	Muut ongelmat	Ota yhteyttä huoltoedustajaan.
Trimmeri toimii ajoittain	Akkua ei ole asetettu kokonaan laitteeseen.	Asenna akku kokonaan paikalleen.
	Mahdollinen sähköongelma.	Ota yhteyttä huoltoedustajaan.
Liiallinen tärinä/melu.	Siiman vakausongelma.	Kelaa siima uudelleen.
	Leikkuuvarusteen ongelma. Kone on viallinen.	Vaihda leikkuuvaruste. Ota yhteyttä huoltoedustajaan.


FIN

### AKKU

Ongelmat	Mahdolliset syyt	Korjaavat toimenpiteet
LED-virhevalo palaa	Akku on tyhjä	Lataa akku. Jos akku ei lataudu, ota yhteys huoltoedustajaan.
	Lämpötilaongelma.	Käytä akkua ympäristössä, jossa lämpötila on latauksen aikana -5 °C – 45 °C (23 °F – 113 °F) ja -20 °C – 45 °C (-4 °F – 113 °F) akun tyhjenemisen aikana.
	Muut	Ota yhteyttä huoltoedustajaan.

# TEKNISET TIEDOT

Tyyppi **KC100 KC100.X** (1- koneen määrittymiset, esimerkki Johdoton Nurmikkotrimmeri)

	<b>KC100 KC100.X **</b>
Nimellisjännite	60 V  MAX ***
Leikkausnopeus	4200 / 5100 / 5900 rpm
Leikkaushalkaisija	42 cm (16.5")
Langan paksuus	2.4 / 2.7 mm (0.095" / 0.105") nylon line
IP-luokitus	IPX4
Koneen paino (paljas työkalu)	4.5 kg (9.9 lbs)

\*\*X = 1-999, A-Z, M1-M9 ovat vain eri asiakkaille, näiden mallien välillä ei ole turvallisuuteen liittyviä muutoksia.

\*\*\* Jännite mitattu ilman kuormitusta. Aloitusakkujännite saavuttaa 60 voltin maksimin. Nimellisjännite on 54 voltia.

## SUOSITELTUJA AKKUJA JA LATUREITA

Akku	Kapasiteettia	Laturi	Ampeeriluku
KAC804	4.0 Ah	KAC840	30 A
KAC810 (Reppuvaljailla)	11.0 Ah		

Suosittellemme lisävarusteiden ostamista samalta jälleenmyyjältä, jolta ostit työkalun. Katso lisätietoja lisävarusteiden pakkauksesta. Liikkeen henkilökunta voi auttaa ja neuvoa.

FIN

## AKKUYKSIKÖN TEKNISET TIEDOT (VALINNAINEN)

Bluetooth-taajuusalueet	2400-2483.5 MHz
Bluetoothin suurin lähetysteho	8 dBm

## LEIKKUUVARUSTEIDEN, SUOJUSTEN JA KANTOLAITTEIDEN YHDISTELMÄT

Leikkuuvaruste	Roskasuoja	Estopalkki	Kantojärjestelmä
- 4" trimmerin pää (valinnainen, ei sisälly) - 5" trimmerin pää	- Korkean näkyvyyden suojus - Yleiskäyttöinen suojus, jossa on helma	- Valinnainen	- Olkahihna - Reppuvaljaat akulle
- Veitsiterä	- Yleiskäyttöinen suojus, jossa on helma	- Vaadittu	



# MELUPÄÄSTÖT

A-painotettu äänenpaine  $L_{pA} = 79.7$  dB(A)

$K_{pA}$  3 dB(A)

A-painotettu ääniteho  $L_{wA} = 94.94$  dB(A)

$K_{wA}$  0.59 dB(A)

Käytä kuulosuojaimia.



# TÄRINÄTASOT

Typillinen painotettu tärinä  $a_n = 2,45$  m/s<sup>2</sup>

Epävarmuus  $K = 3$  m/s<sup>2</sup>

**VAROITUS:** Työkalun käytön todelliset tärinäarvot saattavat poiketa annetuista arvoista riippuen työkalun käyttötapoista seuraavien määritelmien ja muiden käyttötapojen perusteella: Kuinka työkalua käytetään ja mitä materiaaleja työestetään tai porataan. Onko työkalu hyvässä kunnossa ja hyvin huollettu. Käytetäänkö työkalussa oikeita lisävarusteita ja ovatko ne teräviä ja hyväkuntoisia. Kahvojen otteen pitävyys, käytetäänkö työkalussa tärinää estäviä lisävarusteita. Käytetäänkö työkalua asianmukaisesti ja näitä ohjeita noudattaen.

**Tämä työkalu saattaa aiheuttaa käsien/käsivarsien tärinäsyndrooman, jos käyttöä ei säädellä riittävästi.**

**VAROITUS:** Altistustason arvioinnissa tulee tarkkuuden vuoksi ottaa huomioon todelliset käyttöolosuhteet, mukaan lukien aika, jona työkalu on kytketty pois päältä ja kun se käy joutokäynnillä. Tämä saattaa vähentää koko työajan yhteenlaskettua altistusaikaa huomattavasti. Tärinälle altistumisriskin vähentäminen. Käytä AINA teräviä talttoja, poria ja teriä. Huolla tätä työkalua ohjeiden mukaisesti ja pidä työkalu hyvin voideltuna (soveltuviissa kohdissa). Jos työkalua käytetään säännöllisesti, hanki tärinää estävät lisävarusteet. Suunnittele työt siten, että paljon tärinää aiheuttavien töiden suorittaminen jakautuu usealle päivälle.

# YMPÄRISTÖNSUOJELU

Elektroniikkaromua ei saa hävittää kotitalousjätteen mukana. Toimita elektroniikkaromu asianmukaisiin keräyspisteisiin. Kysy kierrätysohjeita paikallisviranomaisilta tai jälleenmyyjältä.

# VAATIMUSTENMUKAISUUSVAKUUTUS

Me,  
Positec Germany GmbH  
Postfach 32 02 16, 50796 Cologne, Germany

Ilmoita, että tuote,  
Selostus **Johdoton Nurmikon Viimeistelijä**  
Type **KC100 KC100.X (1- koneen määrittymiset, esimerkki Johdoton Ruohotrimmeri)**  
Toiminto **Ruohon ja vastaavan pehmeän kasvillisuuden leikkaaminen ja nurmikon reunojen trimmaaminen**

Täyttää seuraavien direktiivien määräykset:

**2006/42/EC**  
**2014/30/EU**  
**2011/65/EU&(EU)2015/863**  
**2000/14/EC ja sen lisäys 2005/88/EC**

2000/14/EC ja sen lisäys 2005/88/EC:  
- Yhdenmukaisuuden arviointi perusteilla: Liite VI  
- Mitattu äänenvoimakkuuden taso 94.94 dB(A)  
- Ilmoitettu taattu äänenvoimakkuuden taso 96 dB(A)

Asiaankuuluva viranomainen  
Nimi: **Intertek Deutschland GmbH (ilmoitettu laitos 0905)**  
Osoite: **Stangenstraße 1, 70771 LEINFELDEN-ECHTERDINGEN**

Yhdenmukaiset standardit  
**EN 62841-1, FprEN IEC 62841-4-4:2020+FprAA:2021-02, EN 62233, EN ISO 3744, EN IEC 55014-1, EN IEC 55014-2**

Henkilö valtuutettu laatimaan tekninen tiedosto,  
Nimi **Marcel Filz**  
Osoite **Positec Germany GmbH**  
Postfach 32 02 16, 50796 Cologne, Germany



2022/12/5  
Allen Ding  
Apulais Päänsinööri, testaus ja sertifiointi  
Positec Technology (China) Co., Ltd  
18, Dongwang Road, Suzhou Industrial Park, Jiangsu 215123, P. R. China

FIN

# INNHOLDFORTEGNELSE

Introduksjon.....	242
Komponentliste.....	243
Produktsikkerhet.....	244
Montering og bruk.....	248
Transportation.....	251
Vedlikehold.....	251
Rengjøring.....	252
Lagring.....	252
Feilsøking.....	253
Tekniske data.....	254
<b>NOR</b> Miljøverntiltak.....	255
Samsvarserklæring.....	255

## INTRODUKSJON

Kjære kunde,

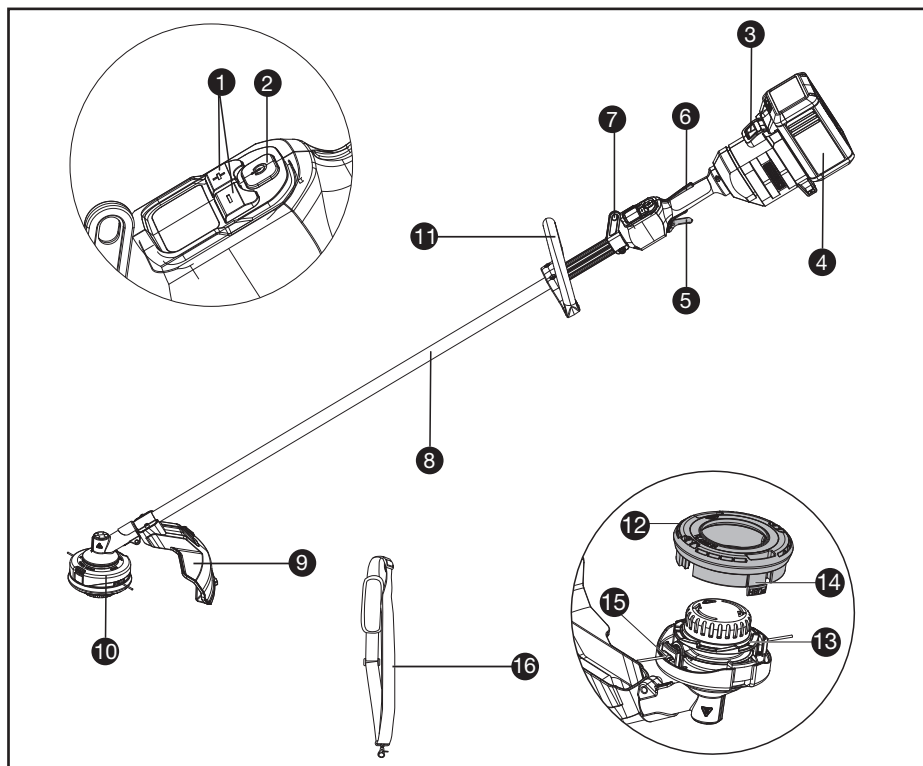
Takk for at du kjøpte dette Kress Commercial-produktet. Vi er dedikerte innen utvikling av høykvalitetsprodukter som møter dine behov for kommersiell landsskapsarkitektur.

Kress-merket er synonymt med førsteklasses service. Hvis du har spørsmål eller bekymringer angående produktet gjennom produktets levetid, bes du kontakte forhandleren din eller vårt kundeserviceteam for å få hjelp.

Vi er sikre på at du vil ha glede av å bruke Kress-produktet ditt i mange år fremover.

## FORMÅLSMESSIG BRUK

Denne maskinen er beregnet til å kutte gress og høyt ugress som ikke er mulig med en gressklipper. Denne maskinen brukes også på områder med helninger som ikke er egnet for klipping.



NOR

## APPARATELEMENTER

- |     |                                    |
|-----|------------------------------------|
| 1.  | HASTIGHETSKONTROLL                 |
| 2.  | AV/PÅ-BRYTER                       |
| 3.  | LÅS FOR BATTERIPAKKE               |
| 4.  | BATTERIPAKKE *                     |
| 5.  | GASSBRYTER                         |
| 6.  | BRYTER FOR OPERATØRTILSTEDEVÆRELSE |
| 7.  | SHOULDER STRAP MOUNT               |
| 8.  | SHAFT                              |
| 9.  | BESKYTTELSESSKJERMEN               |
| 10. | FINJUSTERINGSKODE                  |
| 11. | HÅNDTAKET FORAN                    |
| 12. | SPOLEDEKSEL                        |
| 13. | SPOLE                              |
| 14. | LÅS FOR UTLØSNING AV DEKSEL        |
| 15. | MALJE                              |
| 16. | SKULDERREM *                       |

\* Ikke alt illustrert eller beskrevet tilbehør inngår i leveransen.

# ORIGINAL DRIFTSINSTRUKS PRODUKTSIKKERHET GENERELLE ADVARSLER FOR ELEKTROVERKTØY



**ADVARSEL** Les alle sikkerhetsanvisningene, instruksjonene, illustrasjonene og spesifikasjonene som følger med dette elektroverktøyet. Manglende overholdelse av anvisningene nedenfor kan medføre elektrisk støt, brann og/eller alvorlige personskader.

**Ta godt vare på alle advarslene og informasjonene.**

Det nedenstående anvendte uttrykket "elektroverktøy" gjelder for strømndrevne (med ledning) og batteridrevne elektroverktøy (uten ledning).

## 1) SIKKERHET PÅ ARBEIDSPLASSEN

- Hold arbeidsområdet rent og ryddig.** Rotete arbeidsområder eller arbeidsområder uten lys kan føre til ulykker.
- Ikke arbeid med elektroverktøyet i eksplosjonsutsatte omgivelser – der det befinner seg brennbare væsker, gass eller støv.** Elektroverktøy lager gnister som kan antenne støv eller damper.
- Hold barn og andre personer unna når elektroverktøyet brukes.** Hvis du blir forstyrret under arbeidet, kan du miste kontrollen over elektroverktøyet.

## 2) ELEKTRISK SIKKERHET

- Støpselet til elektroverktøyet må passe inn i stikkkontakten. Støpselet må ikke forandres på noen som helst måte. Ikke bruk adapterstøpsler sammen med jordede maskiner.** Bruk av støpsler som ikke er forandret på og passende stikkontakter reduserer risikoen for elektriske støt.
- Unngå kroppskontakt med jordede overflater slik som rør, ovner, komfyrer og kjøleskap.** Det er større fare ved elektriske støt hvis kroppen din er jordet.
- Ikke bruk maskinen i regn eller under våte forhold. Det kan øke risikoen for elektrisk støt.** Etter at maskinen og batteriet er blitt våte i regn under drift, anbefales det at de tørkes før lagring eller lading. Hvis maskinen ikke kan slås på, ta ut batteriet og sett det inn igjen. Hold batteriforbindelsen fri for skitt og smuss, og rengjør den med en myk og tørr børste eller klut.
- Ikke bruk ledningen til andre formål, f.eks. til å bære elektroverktøyet, henge den opp eller trekke den ut av stikkkontakten. Hold ledningen unna varme, olje, skarpe kanter eller maskindeler som beveger seg.** Med skadede eller opphøpede ledninger øker risikoen for elektriske støt.
- Når du arbeider utendørs med et elektroverktøy, må du kun bruke en**

skjøteledning som er godkjent til utendørs bruk. Når du bruker en skjøteledning som er egnet for utendørs bruk, reduseres risikoen for elektriske støt.

- Hvis det ikke kan unngås å bruke elektroverktøyet i fuktige omgivelser, må du bruke en jordfeilbryter.** Bruk av en jordfeilbryter reduserer risikoen for elektriske støt.
- ## 3) PERSONSIKKERHET
- Vær oppmerksom, pass på hva du gjør, gå fornuftig frem når du arbeider med et elektroverktøy. Ikke bruk elektroverktøyet når du er trett eller er påvirket av narkotika, alkohol eller medikamenter.** Et øyeblikks uoppmerksomhet ved bruk av elektroverktøyet kan føre til alvorlige skader.
  - Bruk personlig verneutstyr og husk alltid å bruke vernebriller.** Bruk av personlig sikkerhetsutstyr som støvmaske, sklifaste arbeidssko, hjelm eller hørselvern – avhengig av type og bruk av elektroverktøyet – reduserer risikoen for skader.
  - Unngå å starte verktøyet ved en feiltagelse. Forviss deg om at elektroverktøyet er slått av før du kobler det til strømmen og/eller batteriet, løfter det opp eller bærer det.** Hvis du holder fingeren på bryteren når du bærer elektroverktøyet eller kobler elektroverktøyet til strømmen i innkoblet tilstand, kan dette føre til uhell.
  - Fjern innstillingsverktøy eller skrunøkler før du slår på elektroverktøyet.** Et verktøy eller en nøkkel som befinner seg i en roterende maskindel, kan føre til skader.
  - Ikke overvurder deg selv. Sørg for å stå stødig og i balanse.** Dermed kan du kontrollere elektroverktøyet bedre i uventede situasjoner.
  - Bruk alltid egnede klær. Ikke bruk vide klær eller smykker. Hold hår og klær unna deler som beveger seg.** Løstsittende tøy, smykker eller langt hår kan komme inn i deler som beveger seg.
  - Hvis det kan monteres støvavsug- og oppsamlingsinnretninger, må du forvise deg om at disse er tilkoblet og brukes på korrekt måte.** Bruk av et støvavsug reduserer faren på grunn av støv.
  - Selv når du er blitt vant til verktøyet, må du ikke bli sløv og ignorere sikkerhetsreglene for verktøyet.** En uforsiktig handling kan forårsake alvorlig personskade i løpet av et brøkdels sekund.
- ## 4) AKTSOM HÅNDTERING OG BRUK AV ELEKTROVERKTØY
- Ikke overbelast elektroverktøyet. Bruk et elektroverktøy som er beregnet til den type arbeid du vil utføre.** Med et passende elektroverktøy arbeider du bedre og sikrer i det angitte effektområdet.
  - Ikke bruk elektroverktøy med defekt på-/avbryter.** Et elektroverktøy som ikke lenger kan

slås av eller på, er farlig og må repareres.

- c) **Trekkløst støpselet ut av stikkontakten og/eller fjern batteriet (hvis demonterbart) før du utfører innstillinger på elektroverktøyet, skifter tilbehørsdeler eller legger elektroverktøyet bort.** Disse tiltakene forhindrer en utilsiktet startung av elektroverktøyet.
  - d) **Elektroverktøy som ikke er i bruk må oppbevares utilgjengelig for barn. Ikke la elektroverktøyet brukes av personer som ikke er fortrolig med dette eller ikke har lest disse anvisningene.** Elektroverktøy er farlige når de brukes av uerfarne personer.
  - e) **Vær nøye med vedlikeholdet av elektroverktøyet og tilbehøret. Kontroller om bevegelige maskindeler fungerer feilfritt og ikke klemmes fast, og om deler er brukket eller skadet, slik at dette innvirker på elektroverktøyets funksjon. La skadede deler repareres før elektroverktøyet brukes.** Dårlig vedlikeholdte elektroverktøy er årsaken til mange uhell.
  - f) **Hold skjæreverktøyene skarpe og rene.** Godt stelte skjæreverktøy med skarpe skjær setter seg ikke så ofte fast og er lettere å føre.
  - g) **Bruk elektroverktøy, tilbehør, verktøy osv. i henhold til disse anvisningene. Ta hensyn til arbeidsforholdene og arbeidet som skal utføres.** Bruk av elektroverktøy til andre formål enn det som er angitt kan føre til farlige situasjoner.
  - h) **Hold håndtak og gripeflater tørre, rene og uten olje eller fett.** Glatte håndtak og gripeflater hindrer sikker håndtering og styring av verktøyet i uventede situasjoner.
- 5) AKTSOM HÅNTERING OG BRUK AV BATTERIDREVNNE VERKTØY**
- a) **Lad batteriet kun opp i ladeapparater som er anbefalt av produsenten.** Det oppstår brannfare hvis et ladeapparat som er egnet til en bestemt type batterier, brukes med andre batterier.
  - b) **Bruk derfor kun riktig type batterier for elektroverktøyene.** Bruk av andre batterier kan medføre skader og brannfare.
  - c) **Hold batteriet som ikke er i bruk unna binders, mynter, nøkler, spikre, skruer eller andre mindre metallgjenstander, som kan lage en forbindelse mellom kontaktene.** En kortslutning mellom batterikontaktene kan føre til forbrenninger eller brann.
  - d) **Ved gal bruk kan det lekke væske ut av batteriet. Unngå kontakt med denne væsken.** Ved tilfeldig kontakt må det skylles med vann. Hvis det kommer væske i øynene, må du i tillegg oppsøke en lege. Batterivæske som renner ut kan føre til iritasjoner på huden eller forbrenninger.
  - e) **Ikke bruk batteriet eller verktøyet hvis det er skadet eller modifisert.** Ødelagte eller modifiserte batterier kan oppføre seg uforutsigbart, noe som kan føre til brann,

eksplosjon eller fare for personskaade.

- f) **Ikke utsett batteriet eller verktøyet for åpen ild eller for høye temperaturer.** Eksponering for ild eller temperaturer over 130°C kan forårsake eksplosjon.
  - g) **Følg alle ladeinstruksjoner, og ikke lad batteriet eller verktøyet utenfor temperaturområdet som er spesifisert i bruksanvisningen.** Feil lading eller lading ved temperaturområdet, kan skade batteriet og øke brannfaren.
- 6) Service**
- a) **Maskinen din skal alltid kun repareres av kvalifisert fagpersonale og kun med originale reservedeler.** Slik opprettholdes elektroverktøyets sikkerhet.
  - b) **Ikke utfør service på ødelagte batterier.** Service på batterier skal alltid utføres av produsenten eller godkjente forhandlere.

## SIKKERHETSADVARSLER FOR GRESSTRIMMER OG RYDDESAG

- a) **Ikke bruk maskinen under dårlige værforhold, spesielt når det er fare for lynnedslag.** Dette reduserer risikoen for å bli truffet av lynet.
- b) **Inspiser området grundig for dyr der maskinen skal brukes.** Dyr kan bli skadet av maskinen under drift.
- c) **Inspiser området der maskinen skal brukes med jevne mellomrom, og fjern alle steiner, pinner, ledninger, bein og andre fremmedlegemer.** Gjenstander som kastes kan forårsake personskaade.
- d) **Før du bruker maskinen, må den alltid inspiseres visuelt for å se at skjæreren eller kniven og skjære- eller knivenheten ikke er ødelagt.** Ødelagte deler øker risikoen for skader.
- e) **Følg instruksjonene for å bytte tilbehør.** Feil strammede bolter eller muttere kan enten skade kniven eller føre til at det løsner.
- f) **Den nominelle rotasjonshastigheten til kniven må minst tilsvare den maksimale rotasjonshastigheten som er angitt på maskinen.** Kniver som går raskere enn den nominelle rotasjonshastigheten kan knekke og fly fra hverandre.
- g) **Bruk øye-, øre-, hode- og håndvern.** Tilstrekkelig verneutstyr reduserer faren for personskaade ved flyvende rusk eller utilsiktet kontakt med kuttetråden eller kniven.
- h) **Når du bruker maskinen, må du alltid ha på vernesko. Ikke bruk maskinen når du er barbeint eller bruker sandaler.** Dette reduserer sjansen for skade på føttene ved kontakt med den bevegelige skjæreren, tråden eller kniven.
- i) **Når du bruker maskinen, må du alltid ha på langbukse.** Eksponert hud øker sannsynligheten for skader fra gjenstander som kastes.
- j) **Hold tilskuere unna mens du bruker maskinen.** Gjenstander som kastes ut kan føre til alvorlig

personskade.

- k) **Bruk alltid to hender når du betjener maskinen.** Hold i maskinen med begge hender for å unngå å miste kontrollen.
- l) **Hold kun i maskinen med de isolerte gripeflatene, siden kuttetråden eller kniven kan komme i kontakt med skjulte kabler.** Kuttetråd eller kniver som kommer i berøring med en strømførende kabel, kan gjøre eksponerte metaldeler på det elektriske verktøyet strømførende og gi operatøren et elektrisk støt.
- m) **Ha alltid godt fotfeste og bruk maskinen kun når du står på bakken.** Glatte eller ustabile overflater kan føre til mistet balanse eller kontroll over maskinen.
- n) **Ikke bruk maskinen i for bratte bakker.** Dette reduserer risikoen for mistet kontroll, skli og fall, noe som kan føre til personskade.
- o) **Når du arbeider i bakker, må du alltid ha et kontrollert fotfeste. Arbeid alltid på tvers av skråninger, aldri opp eller ned. Utvis ekstrem forsiktighet når du endrer retning.** Dette reduserer risikoen for mistet kontroll, skli og fall, noe som kan føre til personskade.
- p) **Hold alle deler av kroppen unna skjæreren, tråden eller kniven når maskinen er i drift.** Før du starter maskinen, må du sørge for at skjæreren, tråden eller kniven ikke er i kontakt med noe. Et øyeblikks uoppmerksomhet under drift av maskinen kan føre til alvorlig personskade på deg selv eller andre.
- q) **Ikke bruk maskinen over midjehøyde.** Dette bidrar til å forhindre utilsikket kontakt med skjæreren eller kniven, og gir bedre kontroll over maskinen i uventede situasjoner.
- r) **Når du skjærer buskas eller spirer som er under spenning, må du være oppmerksom på tilbakeføring.** Når spenningen i trefibrene løsnes, kan buskaset eller spiren treffe operatøren og/eller kaste maskinen ut av kontroll.
- s) **Vær ekstremt forsiktig når du skjærer buskas og spirer.** Det tynne materialet kan sette seg fast i kniven og bli pisket mot deg eller trekke deg ut av balanse.
- t) **Oppretthold kontrollen over maskinen og ikke berør skjærer, tråd eller kniver og andre farlige bevegelige deler mens de fortsatt er i bevegelse.** Dette reduserer risikoen for skade fra bevegelige deler.
- u) **Bær maskinen med maskinen slått av og bort fra kroppen.** Riktig håndtering av maskinen reduserer sannsynligheten for utilsikket kontakt med skjærer, tråd eller kniv som er i bevegelse.
- v) **Ved transport eller oppbevaring av maskinen, må dekslet til metallkniven alltid monteres.** Riktig håndtering av maskinen reduserer sannsynligheten for utilsikket kontakt med kniven.
- w) **Bytt kun til ny skjærer, tråd, skjærehoder og kniver spesifisert av produsenten.** Feil reservedeler kan øke risikoen for brudd og skade.
- x) **Når du fjerner fastkjørt materiale eller utfører service på maskinen, må du sørge for at bryteren er av og at batteripakken er fjernet.** Utilsikket start av maskinen under fjerning av

fastkjørt materiale eller service kan føre til alvorlig personskade.

## ÅRSAKER OG RELATERTE ADVARSLER FOR BEVEGELSER I BLADET

Bladet kan plutselig bevege seg sidelengs, forover eller bakover som følge av bevegelser i maskinen, som kan oppstå dersom bladet setter seg fast eller griper tak i en gjenstand, et ungt tre eller en trestubbe. Dette kan skje med stor nok kraft til at maskinen og/eller operatøren dyttes i en retning, og muligens mister kontrollen over maskinen. **Bevegelser i bladet og tilhørende farer kan unngås ved å ta riktige forholdsregler som angitt nedenfor.**

- a) **Hold et fast grep med begge hender på maskinen og plasser armene for å motstå bladets trykk.** Plasser kroppen til venstre for maskinen. **Bevegelser i bladet kan øke risikoen for skade på grunn av uventede bevegelser i maskinen.** *Bevegelser i bladet kan kontrolleres av operatøren hvis det tas passende forholdsregler.*
- b) **Hvis bladet setter seg fast eller dersom skjæring avbrytes, må maskinen slås av og holdes uten bevegelser i materialet til bladet stopper helt.** Mens bladet setter seg fast, må du aldri forsøke å fjerne maskinen fra materialet eller trekke maskinen bakover mens bladet er i bevegelse, ellers kan det oppstå bevegelse i bladet. *Undersøk og iverksett korrigerende tiltak for å eliminere årsaken til at bladet setter seg fast.*
- c) **Ikke bruk sløve eller skadede kniver.** *Sløve eller skadede kniver øker risikoen for at det setter seg fast eller henger seg fast i en gjenstand, noe som fører til bevegelser i bladet.*
- d) **Sorg alltid for god synlighet til materialet som kuttes.** *Bevegelser i bladet har større sannsynlighet for å oppstå i områder der det er vanskelig å se materialet som kuttes.*
- e) **Hvis du blir kontaktet av en annen person mens du bruker maskinen, må du slå av maskinen.** *Det er økt fare for skade ved at andre personer treffes ved bevegelser i bladet.*

## SIKKERHETSANVISNINGER FOR BATTERIPAKKE

- a) **Ikke demonter, åpne eller riv opp sekundære celler eller batteripakker.**
- b) **Ikke kortslett en celle eller en batteripakke. Ikke oppbevar celler eller batteripakke løst i en boks eller skuff hvor de kan kortslutte hverandre eller bli kortslettet av andre metallgjenstander.** Når batteripakken ikke er i bruk skal den holdes adskilt fra andre metallgjenstander som binders, mynter, nøkler, spiker, skruer eller andre små metallobjekter. Kortslutning av batteriet kan forårsake skader eller brann.

- c) Ikke utsett celler eller batteripakke for varme eller ild. Unngå oppbevaring i direkte sollys.
- d) Ikke utsett celler eller batteripakke for mekanisk støt.
- e) Hvis du opplever cellelekkasje, ikke la væsken komme i kontakt med huden eller øynene. Dersom kontakt har oppstått, vask området med rikelige mengder vann og oppsøk medisinsk hjelp.
- f) Hold batteripakken ren og tørr.
- g) Tørk batteripakkekontaktene med en ren, tørr klut hvis de blir skitne.
- h) Batteripakken må lades før bruk. Bruk denne instruksjonen og korrekte ladeprosedyre.
- i) Ikke ha batteripakken til ladning når den ikke er i bruk.
- j) Etter en lang lagringsperiode kan det være nødvendig å lade og utlade batteripakken flere ganger for å oppnå maksimal ytelse.
- k) Bruk kun batterilader spesifisert av Kress. Bruk ikke andre ladere enn de som er levert for bruk med utstyret.
- l) Tikke bruk batteripakker som ikke er beregnet for bruk sammen med utstyret.
- m) Hold batteripakken utenfor barns rekkevidde.
- n) Ta vare på den originale bruksanvisningen for fremtidig bruk.
- o) Ta ut batteriene fra utstyret når det ikke er i bruk.
- p) Kvitt deg med produktet på forsvarlig måte.
- q) Ikke bland batterier av forskjellig produksjon, kapasitet, størrelse eller type i enheten.
- r) Hold batteriet unna mikrobølger og høyt trykk.

- Øk avstanden mellom utstyret og mottakeren.
- Koble utstyret til en stikkontakt på en annen krets enn den mottakeren er koblet til.
- Konsulter forhandleren eller en erfaren radio/TV-tekniker for å få hjelp.




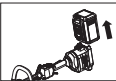

## SYMBOLER

	To reduce the risk of injury, user must read instruction manual
	Bruk øye-, øre- og hodebeskyttelse
	Bruk sklisikkert fotteøy
	ADVARSEL – avstanden mellom maskinen og tilskuere må være minst 15 m (50 fot).
	ADVARSEL – vær oppmerksom på gjenstander som kastes.
	ADVARSEL – Se opp for knivstøt.
	Ikke bruk metallkniver.
	ADVARSEL – koble fra batteriet før vedlikehold.
	Bruk håndbeskyttelse
	Avfall etter elektriske produkter må ikke legges sammen med husholdningsavfall. Vennligst resirkuler avfallet der dette finnes. Undersøk hos de lokale myndighetene eller en detaljist for resirkuleringsråd.

## BRUKERHÅNDBOKSKRAV FOR TRÅDLØST PRODUKT

- a) Bruk av denne enheten er underlagt følgende to betingelser:
  - (1) Denne enheten kan ikke forårsake skadelig interferens, og
  - (2) denne enheten må akseptere all interferens som mottas, inkludert interferens som kan forårsake uønsket drift.
- b) Forsiktig: Endringer eller modifikasjoner av denne enheten som ikke er uttrykkelig godkjent av parten som er ansvarlig for samsvar, kan ugyldiggjøre brukerens rett til å bruke utstyret.
- c) MERK: Dette utstyret genererer, bruker og kan utstråle radiofrekvensenergi, og hvis det ikke installeres og brukes i samsvar med instruksjonene, kan det forårsake skadelig interferens for radiokommunikasjon. Det er imidlertid ingen garanti for at interferens ikke vil oppstå i en bestemt installasjon. Hvis dette utstyret forårsaker skadelig interferens for radio- eller TV-mottak, noe som kan fastslås ved å slå utstyret av og på, oppfordres brukeren til å prøve å korrigere interferensen med ett eller flere av følgende tiltak:
  - Reorienter eller flytt mottakerantennen.

NOR

 <p>Li-Ion</p>	<p>Litium-ion-batterier Dette produktet er merket med symboler tilknyttet "separat samling" av alle batteripakker og batteripakker. Du kan deretter resirkulere eller fjerne den for å redusere påvirkningen på miljøet. Batteripakken inneholder skadelige stoffer som kan være skadelige for miljøet og menneskers helse.</p>
	<p>Ikke brenn</p>
	<p>Hvis det ikke håndteres riktig, kan batteriet komme inn i vannsyklusen, noe som kan forårsake skade på økosystemet. Ikke kast brukte batterier som usortert kommunalt avfall.</p>
	<p>Fjern batteriet fra strømtilkoblingen før du utfører noen justeringer, service eller vedlikehold.</p>
	<p>Klipping</p>

NOR

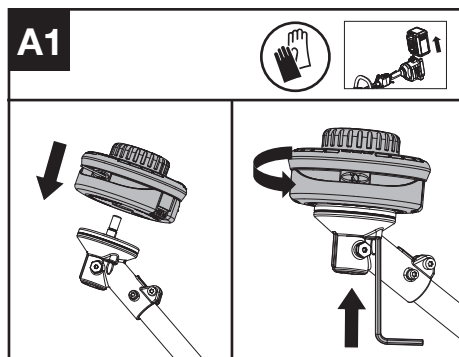
## MONTERING OG BRUK

 **Merk:** Les nøye gjennom instruksjonsboka før du bruker verktøyet.

 **FØR DU BRUKER:**

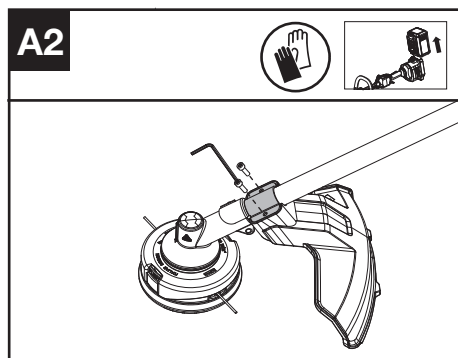
### Montering av trimmerhodet (se fig. A1)

Montering av trimmerhodet. Sett sekskantnøkkelen inn i hullet og roter trimmerhodet til det stopper i låst posisjon.

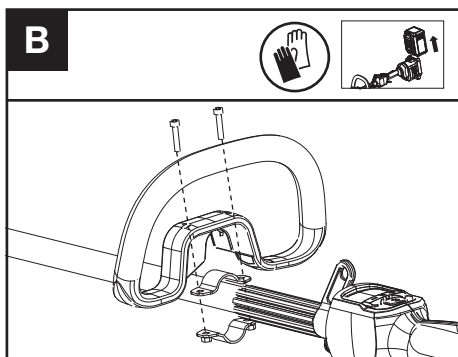


### Montering av beskyttelsesskjermen (se fig. A2)

1. Installer korrekt beskyttelsesskjerm for trimmerhodet.
2. Fest beskyttelsen med skruen og torxnøkkelen.



### Montere håndtaket foran (se fig. B)



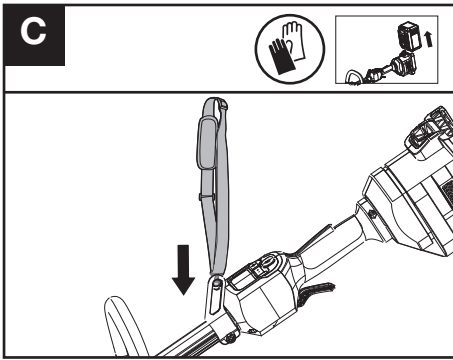
1. Fest håndtaket foran og den nedre klemmen på skaftet.
2. Sett bolten gjennom hullene.
3. Stram håndtaket foran.

 **ADVARSEL:** Juster håndtaket foran som ønsket for å sikre at den fremre armen er rett når du bruker trimmeren.

### Montering av skulderremmen (Selges separat) (se fig. C)

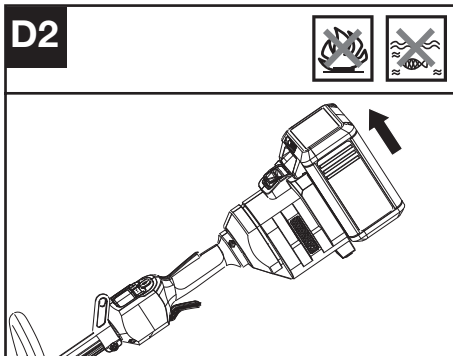
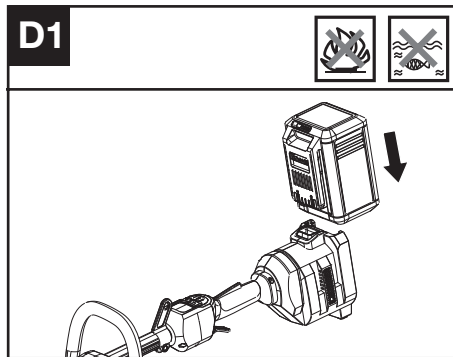
1. Juster lengden på skulderstroppen.
2. Koble karabinkrok til den ekstra skulderstroppen til festepunktet på skaftet til trimmeren.





### Fjerning eller installering av batteripakke (Se figur. D1, D2)

1. Skyv batteripakken inn i batterirommet.
2. Trykk på låsen på batteripakken og fjern batteripakken fra verktøyet.



### KOBLE TIL SELENE FOR RYGGBÆRING (SE FIG. D3)

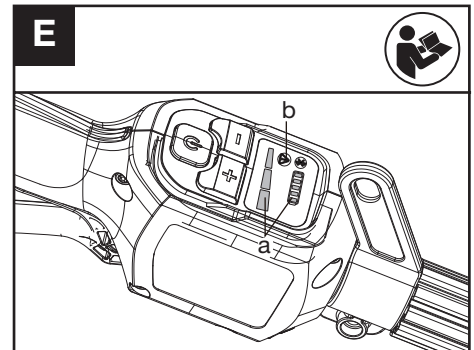
Trimmeren kan kobles til ekstra seler for ryggbæring (medfølger ikke). Se manualen for seler for ryggbæring for mer informasjon.

### TESTE TRIMMEREN OG BATTERIET (SE FIG. E)

#### Sjekk kontrollene Bryter for operatørtilstedeværelse og gassbryter

1. Fjern batteriet.
2. Prøv å trykke på gassbryteren. Hvis gassbryteren kan trykkes inn uten at man trykker på bryteren for operatørtilstedeværelse, er bryteren for operatørtilstedeværelse defekt. Slutt å bruke trimmeren og kontakt serviceagenten.
4. Hold og trykk på bryteren for operatørtilstedeværelse først, og trykk deretter på gassbryteren.
5. Slipp gassbryteren og bryteren for operatørtilstedeværelse. Hvis gassbryteren eller bryteren for operatørtilstedeværelse setter seg fast og ikke kan gå tilbake til sin opprinnelige posisjon. Slutt å bruke trimmeren og kontakt serviceagenten.

NOR



#### Sjekk displayet

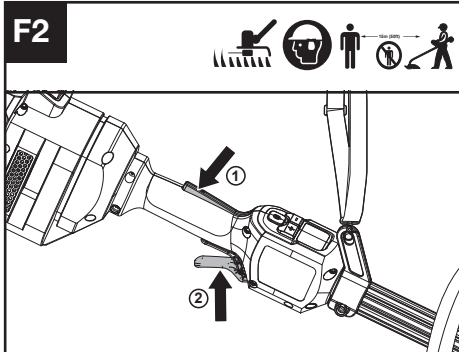
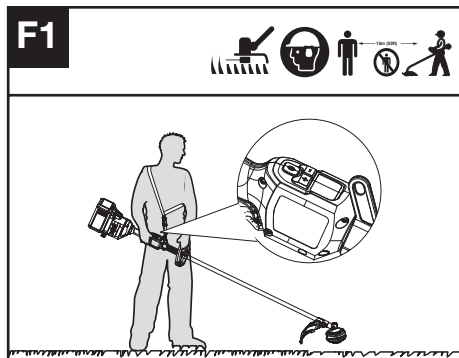
1. Sett inn batteriet.
2. Hold og trykk på På/Av-bryteren. Produktet er slått på når LED (a) lyser. Produktet er slått av når LED (a) slukner.
3. Trykk bryteren for operatørtilstedeværelse først, og trykk deretter gassbryteren for å starte maskinen. Timmerhodet roterer.
4. Hvis varselindikatoren (b) lyser, se

Problemløsning for løsninger.

- Slipp gassbryteren. Trimmerhodet slutter å rotere etter en kort forsinkelse. Hvis trimmerhodet fortsetter å rotere, må du fjerne batteriet og kontakte serviceagenten.

## ANVENDELSE:

### Starte trimmeren (Se fig. F1, F2)



- Hold trimmeren godt med din høyre hånd på kontrollhåndtaket – vikle tommelen rundt håndtaket. Hold trimmeren med venstre hånd på støttehåndtaket – vikle tommelen rundt håndtaket.
- Hold og trykk på På / Av-bryteren til den grønne LED-en lyser. Den grønne LED-en viser strømnivået.
- Trykk bryteren for operatørtilstedeværelse først, og trykk deretter gassbryteren for å starte maskinen. Den grønne LED-en for start/stopp slukker etter fem sekunder hvis den ikke brukes som en sikkerhetsprosedyre. Når den ikke kutter, vil enheten forbli på hvis bryteren for operatørtilstedeværelse holdes nede uten at man bruker maskinen. Hvis den grønne LED-en slukner, må produktet startes på nytt.

**MERK: Bryteren for operatørtilstedeværelse er designet for å forebygge utilsiktet bruk. Når du trykker på bryteren for operatørtilstedeværelse utløses gassbryteren.**

## Valg av hastighet

Avhengig av bruksområde kan man angi tre effektnivåer. Bruk +/- for å kontrollere hastigheten. LED-ene indikerer det valgte effektnivået. Jo høyere effektnivå, jo raskere kan skjæreredskapen kjøres.

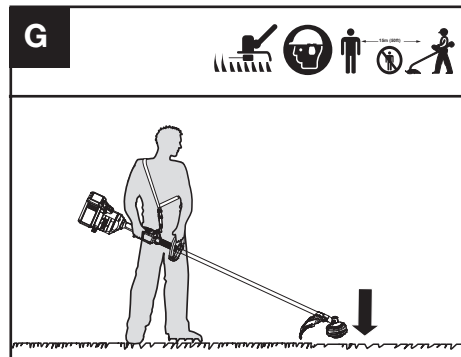
## Stopp trimmeren

Slipp gassbryteren for å stoppe maskinen.

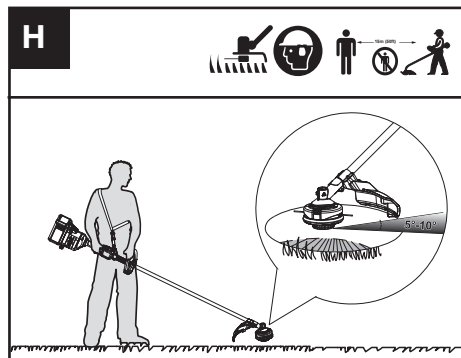
**⚠ ADVARSEL!** Skjærehodet fortsetter å gå rundt etter at trimmeren er slått av. Vent til det har stanset før du legger ned redskapet.

## Föringsssystem for støtlinje (Se figur. G)

Trimmeren er utstyrt med et buffertilinjesystem. Hver gang du berører trimmerhodet mens maskinen er i gang, sendes den nye linjen ut.



## Kuttetips (Se figur. H)



- Sving trimmeren fra side til side over området som skal kuttes.
- Bruk spissen av kuttetråden til å trimme; ikke tving trimmerhodet inn i uklippet gress.
- Tråd- og stakittgjerder kan føre til ekstra slitasje på kuttetråden og brudd. Stein- og murvegger, fortauskanten og tre kan slute ut kuttetråder raskt.
- Unngå trær og busker. Trebark, lister, sidespor og gjerdestolper kan lett bli skadet av kuttetråder.
- Det valgte effektnivået påvirker batteriets

varighet. Jo lavere effektivnivå, jo lengre varighet. Det anbefales å brukes det laveste effektivnivået unntatt i de verste kutteforholdene.

## For Batteriverktøy

Den anbefalte omgivelsestemperaturområdet for utlading er  $-20^{\circ}\text{C}\sim 45^{\circ}\text{C}$  ( $-4^{\circ}\text{F}\sim 113^{\circ}\text{F}$ ). Anbefalt omgivelsestemperatur for ladesystemet under lading er  $-5^{\circ}\text{C}\sim 45^{\circ}\text{C}$  ( $23^{\circ}\text{F}\sim 113^{\circ}\text{F}$ ).

## TRANSPORT

### Transportere trimmeren

1. Slå av trimmeren og ta ut batteriet.
2. Når du transporterer trimmeren for hånd, hold midt på skaftet med klippehodet vendt bakover og pass på at maskinen er parallell med bakken.
3. Når du transporterer trimmeren i et kjøretøy, må du feste, sikre og posisjonere den for å forhindre bevegelse eller skade.

### Transportere batteriet

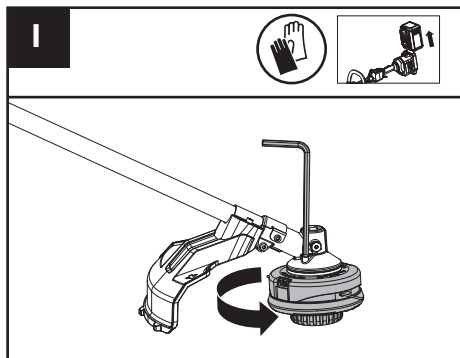
1. Sørg for at batteriet er i sikker stand.
2. Bruk ikke-ledende emballasje når du transporterer batteriet.
3. Innholdet av Li-Ion-batterier er underlagt kravene i lov om farlig gods.


Transporter batterier kun når batterikammeret er uskadet. Pakk batteriene inn på en slik måte at de ikke kan forflytte seg i emballasjen.


## VEDLIKEHOLD

 Fjern alltid batteripakken fra trimmeren etter bruk.

### Erstatte trimmerhodet (se fig. I)

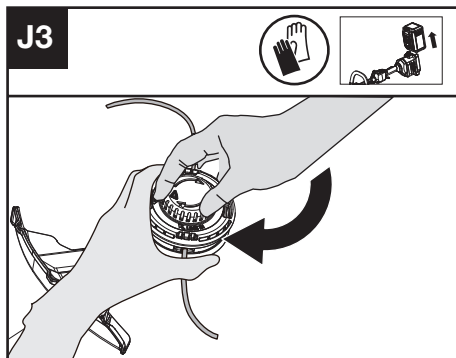
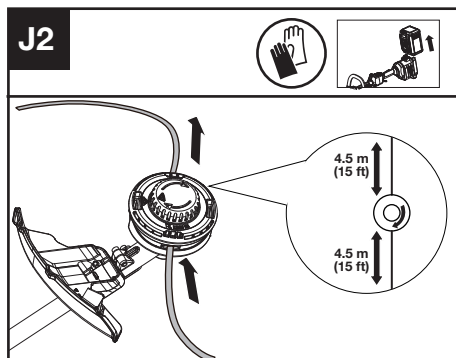
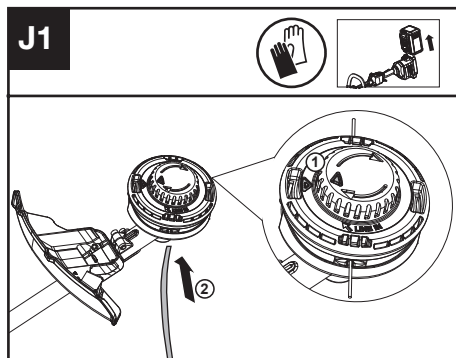


 **ADVARSEL!** Bruk av kabel eller metallforsterket line er ikke tillatt og kan være ekstremt farlig. Bruk bare skjærelinen som anbefales i denne manualen, i kombinasjon med den anbefalte beskyttelsesskjermen.

 **ADVARSEL!** En skadet eller løs skjærerredskap kan vibrere, sprekke, brette eller løsne fra trimmeren, noe som kan føre til alvorlige eller dødelige personskader eller skade på eiendom. Pass på at trimmerhodet er ordentlig og sikkert strammet og i god stand før oppstart av arbeidet.

1. Sett sekskantnøkkelen inn i hullet og roter trimmerhodet til det stopper i låst posisjon.
2. Roter det deretter med klokken for å fjerne det, og mot klokken for å montere det.

### Sving av trimmerlinjen (Se figur. J1, J2, J3)



1. Roter spoledekslet for å få to trekantikoner på

NOR

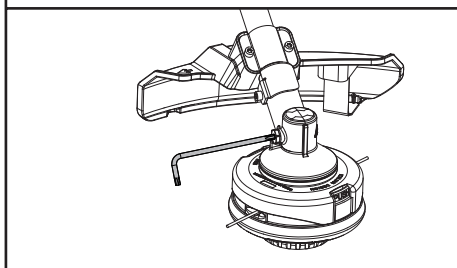
linje. (Se fig. J1)

2. Sett erstatningslinen gjennom øyet (Line In) og før den ut gjennom det andre øyet. Pass på at begge endene av linen er like på hver ende av trimmerhodet (anbefalt 4.5 m (15 fot) og kutt linen. (Se fig. J2)
3. Drei skiven med klokken for å vikle linen rundt spolen til det gjenstår ca. 16 cm (6") på hver side. (Se fig. J3)

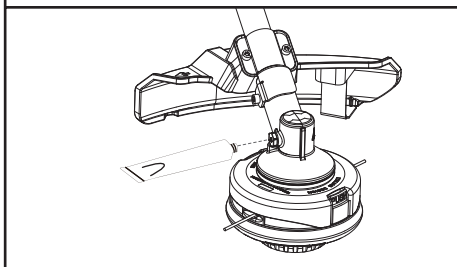
### Smøre girboksen (Se fig. K1, K2)

1. Fjern skruen på girboksen.
2. Hvis det ikke er noe vinkeldrevolve på enden av skruen, kan du klemme 5 g av giroljen (SHELL Gadus S2 V220 1) inn i girkammeret.
3. Sett skruen på igjen og stram den godt.
4. Sett inn batteriet og kjør trimmeren i 1 minutt for å sørge for at giret blir ordentlig smurt.

K1



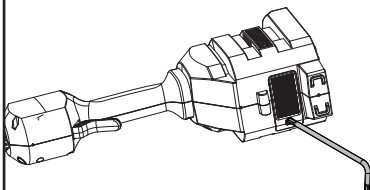
K2



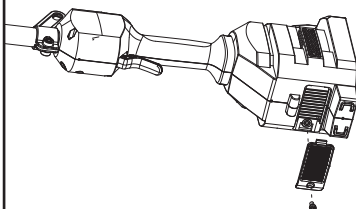
### Rengjøre luftfilteret (se fig. L1, L2)

1. Rengjør området rundt luftfilteret. Bruk en fuktig klut eller en myk børste.
2. Skru av og fjern luftfilteret.
3. Vask luftfilteret med rennende vann for å fjerne smuss.
4. La luftfilteret lufttørke. Installer det deretter i kammeret ved å stramme skruen.

L1



L2



### Vedlikeholdsintervaller

Det anbefales å smøre girboksen og rengjøre luftfilteret hver 50. driftstime basert på faktisk bruk.

## RENGJØRING

1. Slå av trimmeren og ta ut batteriet.
2. Ikke bruk aggressive vaskemidler eller løsemidler. Rengjør maskinen etter bruk med en fuktig klut dyppet i nøytralt vaskemiddel.
3. Hold kontakten fri for fremmedlegemer, og rengjør den med en myk og tørr børste eller klut.
4. Ikke spray vann på motoren og elektriske komponenter.
5. Ikke rengjør maskinen med et trykkvaskeaggregat.

## OPPBEVARING

1. Fjern batteripakken fra trimmeren før lagring.
2. Etter at maskinen og batteriet er blitt våte i regn under drift, anbefales det at de tørkes før lagring eller lading. Hvis maskinen ikke kan slås på, ta ut batteriet og sett det inn igjen.
3. Oppbevar trimmeren på et tørt og sikkert sted som er utilgjengelig for barn og andre uvedkommende. Fjern skjæreredskapen hvis den ikke skal brukes på en lang stund.

4. Lagre batteriet kun innenfor et temperaturområde mellom 5 °C (41 °F) og 25 °C (77 °F). La for eksempel ikke batteriet ligge i en bil om sommeren.

## FEILSØKING

Følgende tabell viser problemstillinger og handlinger du kan utføre hvis maskinen ikke fungerer normalt.



**ADVARSEL: Slå av maskinen og fjern batteriet før feilsøking.**

### TRIMMER

Problemer	Mulige årsaker	Korrigerende tiltak
Batteriindikator-LED blinker	Lav batterispenning.	Lad batteriet.
Rød feil-LED blinker	Overbelastning.	Skjæreredskapen sitter fast – deaktiver produktet. Fjern batteriet. Rengjør skjæreredskapen for uønsket materiale.
	Temperaturproblem.	La produktet kjøle seg ned.
	Gassbryteren og Av/På-knappen har blitt trykket samtidig.	Slipp gassbryteren. Gjennomfør startprosedyren på nytt.
	Andre problemer	Kontakt serviceagent
Produktet starter ikke	Smuss i batterikontaktene.	Rengjør batterikontaktene med trykkluft eller en myk børste.
	Andre problemer	Kontakt serviceagent.
Trimmeren fungerer i perioder	Batteriet er ikke ordentlig satt inn i maskinen.	Sett batteriet ordentlig inn.
	Mulig elektrisk problem.	Kontakt serviceagent.
Mye vibrasjoner/støy.	Problem med linebalansen.	Spol linen på igjen.
	Problem med skjæreredskapen. Defekt maskin.	Bytt ut skjæreredskapen. Kontakt serviceagent.


NOR

### BATTERI

Problemer	Mulige årsaker	Korrigerende tiltak
Feil-LED lyser	Batteriet er utladet	Lad batteriet. Hvis batteriet ikke lar seg lade, kontakt serviceagent.
	Temperaturproblem.	Bruk batteriet i omgivelser der temperaturen er mellom -5°C og 45°C (23°F til 113°F) ved lading; -20°C til 45°C (-4°F til 113°F) ved utlading.
	Annet	Kontakt serviceagenten din.

## TEKNISKE DATA

Type: **KC100 KC0100.X** (1-betegner maskin, representerer Trådløs grastrimmer)

	<b>KC100 KC100.X **</b>
Spenning	60 V  MAX ***
Kuttehastighet	4200 / 5100 / 5900 rpm
Skjærediameter	42 cm (16.5")
Snordiameter	2.4 / 2.7 mm (0.095" / 0.105") nylon line
Beskyttelsesgrad	IPX4
Vekt (Bare verktøy)	4.5 kg (9.9 lbs)

\*\* X = 1-999, A-Z, M1-M9 er kun for forskjellige kunder, det er ingen sikkerhetsrelaterte endringer mellom disse modellene.

\*\*\* Spenning målt uten arbeidsbyrde. Innledende batterispenning når maksimalt 60 volt. Nominell spenning er 54 volt.

## FORESLÅTTE BATTERIER OG LADERE

Batteri	Kapasitet	Lader	Amperage
KAC804	4.0 Ah	KAC840	30 A
KAC810 (Med seler for ryggbæring)	11.0 Ah		

NOR

Vi anbefaler at du kjøper tilbehøret fra den samme forhandleren som solgte deg verktøyet. Se tilbehøremballasjen for mer informasjon. Din forhandler kan hjelpe deg og gi råd.


## TEKNISKE DATA FOR BATTERIPAKKE (VALGFRITT)

Frekvensbånd for Bluetooth	2400-2483.5 MHz
Maksimal overført kraft for Bluetooth	8 dBm

## KOMBINASJONER AV SKJÆREREDSKAPER, DEFLEKTORER OG BÆRESYSTEMER

Skjæreredskaper	Beskyttelsesskjerm	Barrièrestang	Bæresystemer
- 4" Trimmerhode (valgfritt, ikke inkludert) - 5" Trimmerhode	- Deflektor med høy synlighet - Universaldeflektor med skjørt	- Valgfri	- Skulderstropp - Batterisele som ryggsekk
- Knivblad	- Universaldeflektor uten skjørt	- Påkrevd	

## STØYINFORMASJON

Belastning lydtrykk	$L_{pA} = 79.7 \text{ dB(A)}$
$K_{pA}$	3 dB(A)
Belastning lydeffekt	$L_{wA} = 94.94 \text{ dB(A)}$
$K_{wA}$	0.59 dB(A)
<b>Bruk hørselsvern</b>	

## VIBRASJONS INFORMASJON

Vanlig belastningsvibrasjon	$a_n = 2,45 \text{ m/s}^2$
Usikkerhet	$K = 3 \text{ m/s}^2$

**⚠ ADVARSEL:** Vibrasjonsutslippsverdien under faktisk bruk av verktøyet kan avvike fra oppgitt verdi, avhengig av måten verktøyet brukes på og følgende eksempler og andre variasjoner i hvordan verktøyet brukes:

Hvordan verktøyet brukes og hvilke materialene som blir kuttet eller drillt.

Verktøyet er i god stand og godt vedlikeholdt.

Bruk av riktig tilbehør for verktøyet, og sørg for at det er skarpt og i god stand.

Hvor stramt grepet på håndtakene er, og om det brukes antivibrasjonstilbehør.

Og at verktøyet blir brukt til det formålet det er tilsiktet i henhold til designet og disse instruksjonene.

**Dette verktøyet kan forårsake hånd-arm vibrasjonssyndrom, hvis det ikke brukes riktig.**

**⚠ ADVARSEL:** For å være nøyaktig, bør også et overslag over eksponeringsnivå under faktiske bruksforhold også tas med i betraktning i alle deler av driftssyklusen, slik som når verktøyet er skrudd av og når det går på tomgang, men ikke faktisk gjør jobben. Dette kan redusere eksponeringsnivået betraktelig over hele arbeidsperioden.


For å hjelpe til å minimere risikoen for vibrasjonseksponering.

Bruk ALLTID skarpe meisler, drillere og blad. Vedlikehold verktøyet i henhold til disse instruksjonene og sørg for at det er godt smurt (der det er hensiktsmessig).

Hvis verktøyet skal brukes regelmessig, invester i antivibrasjonstilbehør.

Planlegg arbeidstidplanen din slik at du sprer bruk av høyvibrasjonsverktøy utover flere dager.

## MILJØVERNILTAK

 Avfall etter elektriske produkter må ikke legges sammen med husholdningsavfall. Vennligst resirkuler avfallet der dette finnes. Undersøk hos de lokale myndighetene eller en detaljist for resirkuleringsråd.

## SAMSVARERKLÆRING

VI,  
Positec Germany GmbH  
Postfach 32 02 16, 50796 Cologne, Germany

På vegne av Positec erklært at produktet  
Beskrivelse **Trådløs grastrimmer**  
Type **KC100 KC100.X (1-betegner maskin, representerer Trådløs grastrimmer)**  
Funksjoner **Kutting av gress og lignende myk vegetasjon, og for trimming av kanter**

Samsvarer med følgende direktiver,  
**2006/42/EC**  
**2014/30/EU**  
**2011/65/EU&(EU)2015/863**  
**2000/14/EC revidert ved 2005/88/EC**

2000/14/EC revidert ved 2005/88/EC:  
- Tilpassningsbedømmelse Utført ifølge Anneks VI  
- Målt Lydkraftnivå 94.94 dB (A)  
- Erklært Garantert Lydkraftnivå 96 dB (A)

Den notifiserte gruppen involvert  
Navn: **Intertek Deutschland GmbH (Den notifiserte gruppen involvert 0905)**  
Adresse: **Stangenstraße 1, 70771 LEINFELDEN-ECHTERDINGEN**

Standardene samsvarer med  
**EN 62841-1, FprEN IEC 62841-4-4:2020+FprAA:2021-02, EN 62233, EN ISO 3744, EN IEC 55014-1, EN IEC 55014-2**

Personen som er autorisert til å utarbeide den tekniske filen,

Navn **Marcel Filz**  
Adresse **Positec Germany GmbH**  
Postfach 32 02 16, 50796 Cologne, Germany



2022/12/5  
Allen Ding  
Visesjefingeniør, Testing og Sertifisering  
Positec Technology (China) Co., Ltd  
18, Dongwang Road, Suzhou Industrial Park, Jiangsu 215123, P. R. China

NOR

# INNEHÅLLSFÖRTECKNING

Introduktion.....	256
Komponenter.....	257
Produktsäkerhet.....	258
Montering och drift.....	262
Transportation.....	264
Underhåll.....	265
Rengöring.....	266
Förvaring.....	266
Felsökning.....	267
Tekniska data.....	268
sv Miljöskydd.....	269
Deklaration om överensstämmelse.....	269

## INTRODUKTION

Bästa kund,

Tack för ditt köp av denna produkt från Kress Commercial. Vi är engagerade i vår strävan att utveckla produkter av hög kvalitet som uppfyller kraven för din kommersiella trädgårdsanläggning.

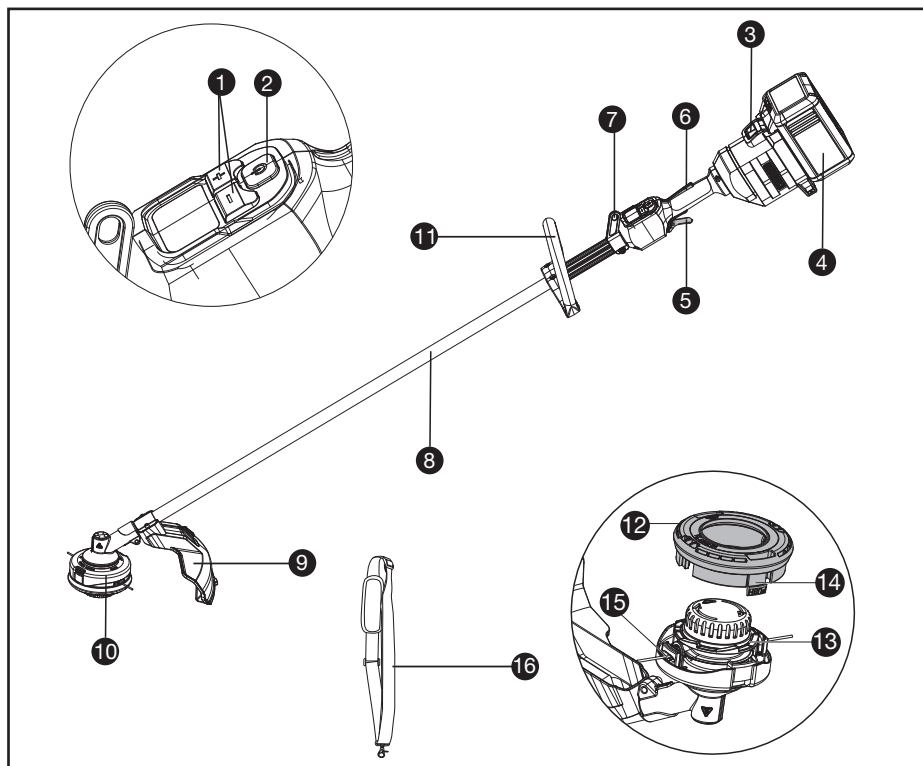
Kress som varumärke är synonymt med förstklassig service. Skulle du ha några frågor eller funderingar om din produkts livslängd, kan du kontakta din återförsäljare eller vårt kundtjänstteam för hjälp.

Vi är övertygade om att du kommer att trivas med att arbeta med din produkt från Kress i många år framöver.

## DRIFT INSTRUKTIONER

Maskinen är avsedd för att klippa gräs och högt ogräs som man inte kommer åt med en gräsklippare. Maskinen används även på sluttningar som inte lämpar sig för gräsklippning.





## KOMPONENTER

- |     |                         |
|-----|-------------------------|
| 1.  | HASTIGHETSKONTROLL      |
| 2.  | STRÖMBRYTARE PÅ/AV      |
| 3.  | BATTERIPAKETETS LÅSNING |
| 4.  | BATTERIPAKET *          |
| 5.  | GASREGLAGE FÖR DRIFT    |
| 6.  | GASSPÄRREN              |
| 7.  | AXELREMSFÄSTE           |
| 8.  | SKAFT                   |
| 9.  | SKRÄPSKYDD              |
| 10. | FINJUSTERANDE HUVUD     |
| 11. | FRÄMRE HANDTAG          |
| 12. | SPOLLOCK                |
| 13. | SPOLE                   |
| 14. | LÅSHAKE LOCK            |
| 15. | ÖGLA                    |
| 16. | AXELREM *               |

\* Alla tillbehör beskrivna eller avbildade nedan medföljer inte standardprodukten.

# BRUKSANVISNING I ORIGINAL SÄKERHETSFÖRESKRIFTER SÄKERHETSVARNINGAR GENERELLA SÄKERHETS- VARNINGAR FÖR ELVERK- TYG



**VARNING:** Läs alla säkerhetsföreskrifter, instruktioner, illustrationer och specifikationer som följer med detta elverktyg. *Underlåtelse att följa instruktionerna nedan kan leda till elstöt, brand och/eller allvarlig skada.*

**Spara alla varningar och instruktioner för framtida bruk.**

*Begreppet Elverktyg hänför sig till nätdrivna elverktyg (med nätsladd) och till batteridrivna elverktyg (sladdlösa).*

## 1) ARBETSOMRÅDET

- Håll ditt arbetsområde rent och väl upplyst.** Ostäda och mörka areor ökar olycksrisken.
- Använd inte elverktyget i explosionsfarliga omgivningar när det t.ex. finns brännbara vätskor, gaser eller damm.** Elverktygen alstrar gnistor som kan antända dammet eller gaserna.
- Håll under arbetet med elverktyget barn och obehöriga personer på betryggande avstånd.** Om du störs av obehöriga personer kan du förlora kontrollen över elverktyget.

## 2) ELSÄKERHET

- Elverktygets stickpropp måste passa till vägguttaget. Stickproppen får absolut inte förändras.** Använd inte adapterkontakter tillsammans med skyddsjordade elverktyg. Oförändrade stickproppar och passande vägguttag reducerar risken för elstöt.
- Undvik kroppskontakt med jordade ytor som rör, element, spisar och kylskåp.** Det finns en större risk för elstötar om din kropp är jordad.
- Använd inte maskinen i regn eller under våta förhållanden. Detta kan öka risken för elektriska stötar.** När maskinen blivit blöt i regnet under drift bör maskinen och batteriet torkas före förvaring eller laddning. Ta ur batteriet och sätt tillbaka det om maskinen inte kan slås på. Håll batterianslutningen fri från smuts och skräp och rengör med en mjuk och torr borste eller trasa.
- Missbruka inte nätsladden. Använd inte nätsladden för att bära eller hänga upp elverktyget och inte heller för att dra stickproppen ur vägguttaget.** Skadade eller tilltrasslade ledningar ökar risken för elstöt.
- När du arbetar med ett elverktyg utomhus använd endast förlängningssladdar som är avsedda för utomhusbruk.** Om en lämplig förlängningssladd för utomhusbruk används minskar risken för elstöt.

- Om det inte går att undvika att driva ett elverktyg i en fuktig lokal, använd då en restströmsskyddad (RCD) strömtillförselanordning.** Användning av en RCD minskar risken för elektriska stötar.

## 3) PERSONLIG SÄKERHET

- Var uppmärksam, håll ögonen på vad du gör och använd sunt förnuft när du använder ett strömförande verktyg. Använd inte ett strömförande verktyg när du är trött eller påverkad av droger, alkohol eller läkemedel.** En kort stund av uppmärksamhet med strömförande verktyg kan resultera i allvariga personskador.
  - Använd säker utrustning. Använd alltid skyddsglasögon.** Säkerhetsutrustning som munskydd, halkfria skor, skyddshjälm eller hörselskydd som används när det behövs kommer att reducera personskador.
  - Förhindra ofrivillig start. Se till att kontakten är i off-läge innan du ansluter till strömkälla och/eller batterienheten, tar upp eller bär med dig verktyget.** Bär du strömförande verktyg med fingret på kontakten eller sätter i stickkontakten i elluttaget när kontakten är i PÅ-läge utgör det en skaderisk.
  - Ta bort alla skiftnycklar eller skruvnycklar innan du sätter på det strömförande verktyget.** En skift - eller skruvnyckel som lämnas kvar på en roterande del på ett strömförande verktyg kan orsaka personskador.
  - Sträck dig inte för långt. Bibehåll alltid fotfästet och balansen.** Detta gör att du kan kontrollera verktyget bättre i oväntade situationer.
  - Klä dig rätt. Använd inte löst sittande kläder eller smycken.** Håll ditt hår och dina kläder borta från rörliga delar. Lösa kläder, smycket eller långt hår kan snärjas in i rörliga delar.
  - Om det på enheterna finns anslutning för dammsug och dammuppsamling ser du till att de är anslutna och används korrekt.** Använder du dessa anordningar reducerar det dammrelaterade faror.
  - Låt inte förtrogenhet, tack vare frekvent användning av verktyget, lura dig att känna dig för tryggt med det och därmed ignorera säkerhetsföreskrifterna.** En vårdslös handling kan orsaka allvarlig skada inom loppet av en sekund.
- ## 4. KORREKT ANVÄNDNING OCH HANTERING AV ELVERKTYG
- Överbelasta inte elverktyget. Använd rätt elverktyg för det jobb du tänker göra.** Med ett lämpligt elverktyg kan du arbeta bättre och säkrare inom angivet effektområde.
  - Använd inte verktyget om kontakten inte sätter på eller stänger av det.** Alla strömförande verktyg som inte kan kontrolleras med kontakten är farliga och måste repareras.
  - Koppla från stickkontakten från strömkällan och/eller batterienheten från elverktyget**

innan du utför några justeringar, ändrar I tillbehören eller magasinerar elverktøygen. Sldana förebyggande säkerhetsåtgärder reducerar risken för att du startar verktøyget oavsiktligt.

- d) **Förvara verktøyget som inte används utom räckhåll för barn och låt inte någon person använda verktøyget som inte känner till verktøyget eller dessa anvisningar.** Strömförande verktøy är farliga i händerna på utbildade användare.
- e) **Håll koll på elverktøyget och tillbehören. Kontrollera inriktningen eller fästet för rörliga delar, defekta delar och alla andra saker som kan påverka användningen av elverktøyget. Om den skadats måste elverktøyget repareras före användning.** Många olyckor orsakas av felaktigt underhållna elverktøy.
- f) **Håll sågverktøyget skarpa och rena.** Korrekt underhållna skärverktøy med skarpa egg kommer inte att köra fast lika ofta och är enklare att kontrollera.
- g) **Använd elverktøyget, tillbehören och verktøybitsen etc. i enlighet med dessa anvisningar och på det sätt som avsetts för varje typ av elverktøy. Ha också i åtanke arbetsförhållandena och arbetet som skall utföras.** Använder du elverktøy för åtgärder som skiljer sig det avsedda arbetet kan det resultera i riskfyllda.
- h) **Håll handtag och greppytor torra, rena och fria från olja och fett.** Hala handtag och greppytor ger inte säker hantering och kontroll över verktøyget i oväntade situationer.

## 5. ANVÄNDNING OCH SKÖTSEL AV SLADDLÖSA VERKTYG

- a) **Ladda bara med den laddare som tillverkaren anger.** En laddare som passar en typ av batteripaket kan medföra en risk för brand när den används till ett annat batteripaket.
- b) **Använd elverktøy bara tillsammans med det särskilt konstruerade batteripaketet.** Användning av andra batteripaket kan medföra en risk för personskador och brand.
- c) **När batteripaketet inte används ska det hållas borta från metallföremål som gem, mynt, nycklar, skruvar och andra små metallföremål som kan skapa kontakt mellan batteripaketets poler och kortsluta det.** En kortslutning kan orsaka brännskador och brand.
- d) **Undan olyckliga omständigheter kan vätska kommat ur batteriet. Undvik kontakt. Om den kommer i kontakt med huden, skölj med vatten. Om den kommer i kontakt med ögonen, skölj rikligt med vatten och sök läkarhjälp.** Vätska som kommer ut ur batteriet kan orsaka irritation eller brännskador.
- e) **Använd inte ett batteripack eller verktøy som skadats eller modifierats.** Skadade eller modifierade batterier kan uppvisa förväntade beteende som kan leda till brand, explosion eller skada.
- f) **Utsätt inte batteripack eller verktøy för eld**

eller höga temperaturer. Eld eller temperaturer som överstiger 130 °C kan orsaka explosioner.

- g) **Följ alla laddningsinstruktioner och ladda inte batteripacket eller verktøyget utanför temperaturintervallen som anges i instruktionerna.** Felaktig laddning eller laddning i temperaturer utanför det angivna temperaturintervallen kan skada batteriet eller öka brandrisken.
- ## 6. UNDERHÅLL
- a) **Låt ditt elverktøy underhållas av en kvalificerad reparatör som bara använder äkta reservdelar.** Det kommer att garantera att elverktøyets säkerhet bibehålls.
- b) **Försök aldrig reparera skadade batteripack.** Batteripack får endast underhållas av tillverkaren eller behöriga servicetekniker.

## SÄKERHETSVARNINGAR FÖR RÖJSAX OCH RÖJSÅG

- a) **Undvik att använda maskinen under dåliga väderförhållanden, särskilt vid risk för blixtnedslag.** Detta minskar risken att bli träffad av blixten.
- b) **Inspektera noggrant området för att upptäcka vilda djur och växter där maskinen ska användas.** Vilda djur och växter kan komma till skada av maskinen under drift.
- c) **Inspektera noggrant det område där apparaten ska användas och plocka bort alla stenar, pinnar, kablar, ben och andra främmande föremål.** Kastade föremål kan orsaka personskador.
- d) **Innan maskinen tas i bruk ska skäraren, bladet och enheten alltid inspekteras visuellt för att upptäcka eventuella skador.** Skadade delar ökar risken för personskador.
- e) **Följ instruktionerna för byte av tillbehör.** Otillräckligt fastspända blad som fästs med muttrar eller bultar kan antingen skada bladet eller leda till att det lossnar.
- f) **Bladets nominella rotationshastighet ska vara minst lika med den maximala rotationshastigheten markerad på maskinen.** Blad som går snabbare än deras nominella rotationshastighet kan brista och lossna.
- g) **Använd ögon-, öron-, huvud- och handskydd.** Skyddsutrustning som uppfyller kraven minskar personskador från flygande skräp eller oavsiktlig kontakt med skärlinan eller bladet.
- h) **Bär alltid skyddsskor när du använder maskinen. Använd inte maskinen när du är barfota eller använder öppna sandaler.** Detta minskar risken för skador på fötterna vid kontakt med en rörlig skärare, lina eller ett blad.
- i) **Bär alltid långbyxor när du använder maskinen.** Blottad hud ökar sannolikheten för skador från utkastade föremål.
- j) **Håll personer borta när du använder maskinen.** Utkastat skräp kan resultera i

allvarliga personskador.

- k) **Använd maskinen med båda händerna.** Genom att hålla i maskinen med båda händerna undviker du att tappa kontrollen.
- l) **Håll maskinen endast i de isolerade gripytorna, eftersom lina eller blad kan komma i kontakt med dolda kablar.** Lina eller blad som kommer i kontakt med en strömförande kabel kan exponera maskinens strömförande metalldelar och ge användaren en elektrisk stöt.
- m) **Ha alltid rätt fotfäste och använd endast maskinen när du står på marken.** Hala eller instabila ytor kan orsaka tappad balans eller kontroll över maskinen.
- n) **Använd inte maskinen i alltför branta sluttningar.** Detta minskar risken för tappad kontroll eller att man halkar och faller, vilket kan leda till personskada.
- o) **När arbete utförs i sluttningar, var alltid säker på ditt fotfäste, arbeta alltid tvärs över sluttningar, aldrig upp eller ner och iaktta extrem försiktighet när du byter riktning.** Detta minskar risken för tappad kontroll eller att man halkar och faller, vilket kan leda till personskada.
- p) **Håll alla delar av kroppen borta från skäraren, linan eller bladet när maskinen är i drift.** Innan du startar maskinen, se till att skäraren, linan eller bladet inte är i kontakt med något. Ett ögonblick av uppmärksamhet vid användning av maskinen kan leda till allvariga personskador.
- q) **Använd inte maskinen över midjehöjd.** Detta hjälper till att förhindra oavsiktlig kontakt med skärare eller blad och möjliggör bättre kontroll över maskinen i oväntade situationer.
- r) **När du trimmar buskar eller unga träd som är under belastning, var uppmärksam på kast bakåt.** När belastningen i träfibren släpps kan busken eller det unga trädet träffa operatören och/eller kasta maskinen utom kontroll.
- s) **Iaktta extremt försiktighet när du skär buskar och unga träd.** Det smala materialet kan fångas upp av bladet och piskas ut mot dig eller få dig ur balans.
- t) **Behåll kontrollen över maskinen och rör inte vid skärare, linor eller blad och andra farliga rörliga delar medan de fortfarande är i rörelse.** Detta minskar risken för skador från rörliga delar.
- u) **Maskinen ska bäras avstängd och bort från kroppen.** Korrekt hantering av maskinen minskar sannolikheten för oavsiktlig kontakt med en rörlig skärare, lina eller ett blad.
- v) **Vid transport eller förvaring av maskinen ska skyddet alltid sitta på metallbladen.** Korrekt hantering av maskinen minskar sannolikheten för oavsiktlig kontakt med bladet.
- w) **Endast skärare, linor, skärhuvud och blad som angivits av tillverkaren ska användas.** Felaktiga reservdelar kan öka risken för att något går sönder och för skador.
- x) **När du rensar material som fastnat eller**

servar maskinen ska du se till att maskinens strömbrytare är av och att batteripaketet är borttaget. Oavsiktlig start av maskinen när du rensar faststucket material eller servar maskinen kan resultera i allvariga personskador.

## ORSAKER TILL KNIVKAST OCH RELATERADE VARNINGAR

Knivkast är en plötslig sidleds-, framåt- eller bakåtrörelse hos maskinen, som kan uppstå när kniven fastnar i ett föremål som en gren eller en stam. Den kan vara våldsamt nog att göra att maskinen och/eller operatören drivs åt vilket håll som helst och eventuellt förlora kontrollen över maskinen.

Knivkast och relaterade faror kan undvikas genom rätta försiktighetsåtgärder nedan.

- a) **Håll ett fast grepp med båda händerna på maskinen och placera dina armar för att motverka knivkast. Placera din kropp på vänster sida om maskinen.** *Knivkast kan öka risken för skador på grund av oväntade rörelse hos maskinen. Knivkast kan kontrolleras av användaren om rätta försiktighetsåtgärder vidtas.*
- b) **Om kniven fastnar, eller klippning avbryts, stäng av maskinen och håll maskinen stilla i materialet tills kniven stannat helt. Medan kniven fastnar, försök aldrig dra undan maskinen från materialet eller dra bakåt medan kniven rör sig, annars kan ett knivkast uppstå.** *Undersök och vidta åtgärder för att förhindra orsaken till knivkast.*
- c) **Använd inte slöa eller skadade knivar.** *Slöa eller skadade knivar ökar risken för låsning eller att fånga ett objekt, vilket kan resultera i knivkast.*
- d) **Ha alltid god uppsikt över det som klipps.** *Bladkast sker oftast i områden där det är svårt att se klippningen.*
- e) **Om någon person närmar sig medan maskinen används, stäng av maskinen.** *Det är större risk för skada för annan person vid eventuellt knivkast.*







## BATTERISÄKERHET SÄKERHETSFÖRESKRIFTER FÖR BATTERIET

- a) **Ta inte isär batteriet, öppna inte heller batteriet eller sära på battericeller.**
- b) **Kortslut inte batteriet. Förvara inte batteriet på ett slarvigt sätt i en låda där det kan kortslutas eller skadas av ledande material.** När batteriet inte används, håll det borta från metallobjekt, såsom papperspengar, pengar, nycklar, naglar, skruvar eller andra små metallobjekt som kan leda ström från en terminal till en annan. Om batteriterminalerna kortsluter varandra kan de försäkra brandrisk.

- c) Exponera inte batteriet för eld eller värme. Undvik förvaring i direkt solljus.
- d) Utsätt inte batteriet för mekanisk chock.
- e) Om batteriet läcker, låt inte vätskan komma i kontakt med hud eller ögon. Om så ändå skulle hända, skölj med mycket vatten och sök läkarhjälp.
- f) Håll batteriet rent och torrt.
- g) Torka av batteriet om det blir smutsigt med en torr, ren trasa.
- h) Batteriet måste laddas före användning. Använd den här bruksanvisningen för att ladda batteriet korrekt.
- i) Låt inte batteriet stå på laddning när det inte används.
- j) Efter lång tids användning kan det bli nödvändigt att ladda och ladda ur batteriet många gånger för att nå maximal prestanda.
- k) Ladda endast med laddare av varumärket Kress. Använd ingen annan laddare än den som specifikt ska användas med det här batteriet.
- l) Använd inte ett batteri som inte är avsett för användning med det här verktyget.
- m) Håll batteriet borta från barn.
- n) Behåll den ursprungliga bruksanvisningen för framtida användning.
- o) Plocka ur batteriet från verktyget då det inte används.
- p) Kassera batteriet på rätt sätt.
- q) Blanda inte celler från olika tillverkning, kapacitet, storlek eller typ inom en enhet.
- r) Håll batteriet borta från mikrovågor och högt tryck.






- Rikta om eller flytta mottagningsantennen.
- Öka avståndet mellan utrustningen och mottagaren.
- Anslut enheten till ett uttag som hör till en annan krets än den som mottagaren är ansluten till.
- Kontakta återförsäljaren eller en erfaren radio- eller TV-tekniker för att få hjälp.

## SYMBOLER

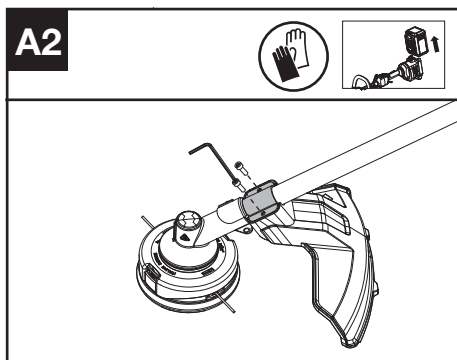
	För att minska risken för skador måste användaren läsa bruksanvisningen
	Använd ögon-, öron- och hjälmskydd
	Använd skor med halkskydd
	VARNING – Avståndet mellan maskinen och personer ska vara minst 15 m (50 fot)*
	VARNING – Se upp för utkastade föremål.
	VARNING – Se upp för knivkraft.
	Använd inte metallblad.
	VARNING – Koppla bort batteriet före underhåll.
	Använd arbetshandskar
	Uttjänade elektriska produkter får inte kasseras som hushållsavfall. Återanvänd där det finns anläggningar för det. Kontakta dina lokala myndigheter eller återförsäljare för återvinningsråd.

## BRUKSANVISNINGSKRAV FÖR TRÅDLÖS PRODUKT

- a) Enheten får endast användas under förutsättning att följande två villkor är uppfyllda:
- (1) Enheten får inte orsaka skadlig störning och
  - (2) enheten måste acceptera all mottagen störning, inklusive störningar som kan orsaka oönskad användning.
- b) Försiktighet: Ändringar eller modifieringar av denna enhet som inte uttryckligen godkänts av parten som är ansvarig för dess uppfyllelse kan upphäva användarens rätt att använda utrustningen.
- c) NOTERA: Utrustningen alstrar, använder och kan avge radiofrekvensenergi och om den inte installeras och används i enlighet med instruktionerna kan den orsaka skadliga störningar på radiokommunikation. Det finns dock inte någon garanti för att störning inte inträffar i en specifik installation. Om utrustningen orsakar skadliga störningar vid mottagning av radio- eller tv-mottagning, vilket kan fastställas genom att stänga av och slå på utrustningen, uppmanas användaren att försöka korrigera störningen genom en eller flera av följande åtgärder:

 <p>Li-Ion</p>	<p>Litiumjonbatteri, som har blivit märkt med symbolerna i samband med "separat samling" av alla batteripack och batteripaket. Det återvinnas eller tas bort för att minska miljöpåverkan. Batterier kan vara skadliga för miljön och människors hälsa eftersom de innehåller skadliga ämnen.</p>
	<p>Får ej uppeldas</p>
	<p>Om det inte hanteras ordentligt kan batteriet gå in i vattencykeln och kan skada ekosystemet. Kassera ej använda batterier som sorterat kommunalt avfall.</p>
	<p>Se till att batteriet tas bort innan byte av tillbehör.</p>
	<p>Trimning</p>

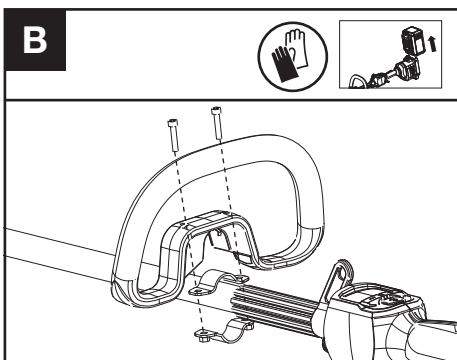
2. Säkra skyddet på plats med hjälp av skruven och insexnyckeln.



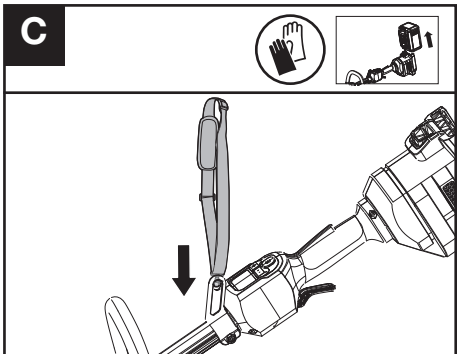
### Montering av främre handtag (Se Figur B)

1. Fäst det främre handtaget och nedre klämman på skaftet.
2. Placera bulten genom hålen.
3. Spänn fast det främre handtaget.

**!** **WARNING: Justera det främre handtaget efter eget önskemål för att se till att din främre arm är rak när du använder trimmern.**



### Montering av axelremmen (Säljs separat) (Se Figur C)



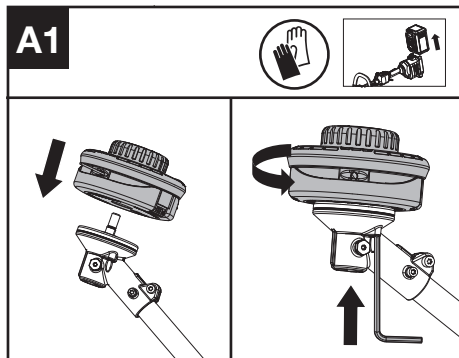
## MONTERING & HANTERING

**!** **OBS:** Innan du använder verktyget, läs noga igenom bruksanvisningen.

**!** **FÖRE DRIFT:**

### Montering av skärhuvudet (Se Figur A1)

Montera skärhuvudet. För in insexnyckeln i hålet och vrid trimmerhuvudet tills det stannar i låst läge.



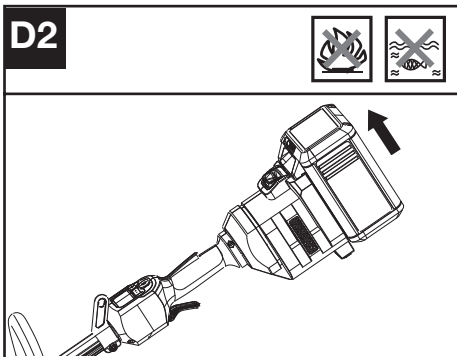
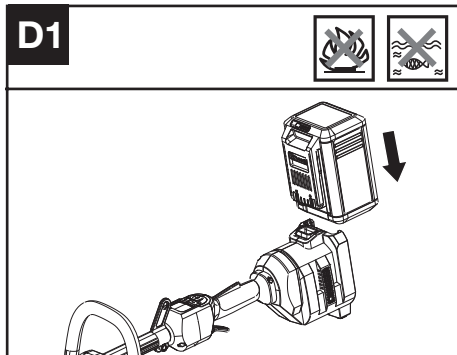
### Montering av skräpskydd (Se Figur A2)

1. Montera korrekt skräpskydd på trimmerhuvudet.

1. Justera längden på axelremmen.
2. Anslut karbinhaken till axelremmen som tillbehör på monteringspunkten på trimmerns skaft.

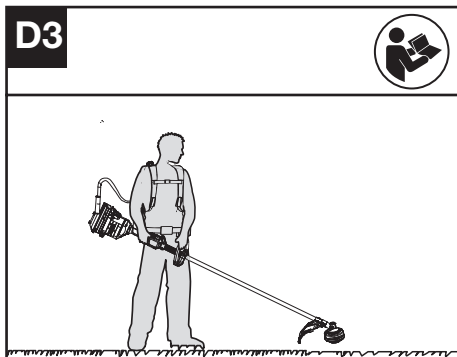
### Ta Bort Eller Sätta I Batteripaketet (Se Figur D1, D2)

1. Skjut in batteripaketet i batterifacket.
2. Tryck på batteripaketets spärrhake och ta bort batteriet från bormaskinen.



### ANSLUTNING MED RYGGSELEN (SE FIGUR D3)

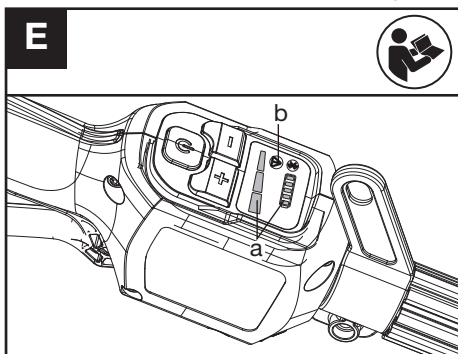
Trimmern kan anslutas till en ryggsela (medföljer ej). Se manualen för ryggselen för mer information.



### TEST AV TRIMMER OCH BATTERI (SE FIGUR E)

#### Inspektera kontrollerna Gasspärren och gasreglage för drift

1. Plocka bort batteriet.
2. Försök att trycka på gasreglaget. Om gasreglaget kan tryckas in utan att trycka ner gasspärren, är gasspärren defekt. Sluta använda trimmern och kontakta serviceagenten.
4. Håll och tryck på gasspärren först och tryck sedan på gasreglaget.
5. Släpp upp gasreglaget och gasspärren. Om gasreglaget eller gasspärren fastnar och inte kan fjädra tillbaka till sitt ursprungliga läge. Sluta använda trimmern och kontakta serviceagenten.



#### Kontrollera displayen

1. Sätt i batteriet.
2. Håll och tryck ned på/av-knappen. Produkten slås på när lysdioden (a) är tänd. Produkten är avstängd när lysdioden (a) är släckt.
3. Tryck på gasspärren först. Tryck sedan på gasreglaget för att starta maskinen. Trimmerhuvudet roterar.
4. Om varningsindikatorn (b) tänds eller blinkar, se Felsökning för lösningar.
5. Släpp upp gasreglaget. Trimmerhuvudet slutar rotera efter en kort fördröjning. Om trimmerhuvudet fortsätter att rotera, plocka bort batteriet och kontakta serviceagenten.

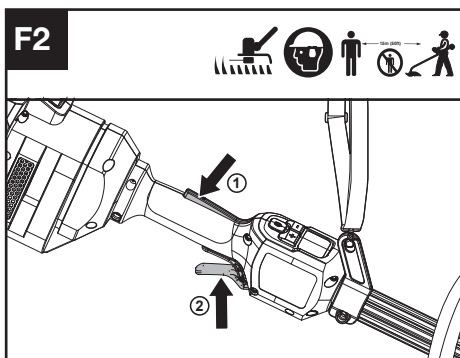
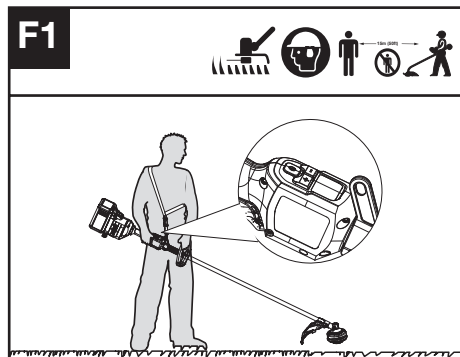
#### DRIFT:

#### Starta trimmern (Se Figur F1, F2)

1. Håll trimmern med höger hand på kontrollhandtaget – linda tummen runt handtaget. Håll trimmern med vänster hand på det extra handtaget – linda tummen runt handtaget.
2. Håll och tryck På/Av-knappen tills den gröna lysdioden tänds. Den gröna lysdioden visar effektnivån.
3. Tryck på gasspärren först. Tryck sedan på gasreglaget för att starta maskinen. Den gröna lysdioden för start/stopp slocknar efter 5 sekunder om den inte används som en säkerhetsprocedur. När den inte trimmar, förblir enheten på om operatörens gasspär som hålls nedtryckt utan att man använder maskinen. Om

den gröna lysdioden slocknar, måste produkten startas om.

**OBS! Gasspärren är utformad för att förhindra oavsiktlig användning. När du trycker på gasspärren släpps gasreglaget.**



## Välja hastighet

Beroende på applikation kan 3 effektnivåer ställas in. Använd +/- för att styra hastigheten. Lysdioderna anger den valda hastighetsnivån. Ju högre effektnivå, desto snabbare kan trimmerns redskap köras.

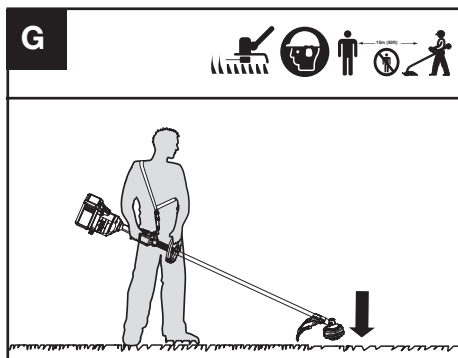
## Stoppa trimmern

Släpp upp gasreglaget för att stoppa maskinen.

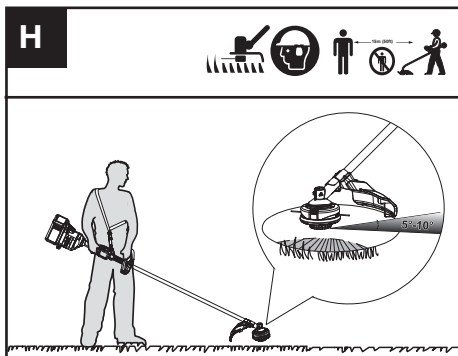
**⚠ VARNING!** Klipphuvudet fortsätter att rotera efter det att trimmern har stängts av; vänta tills den har stannat innan verktyget läggs ned.

## Bump line matningssystem (Se Figur G)

Trimmern är utrustad med ett buffertlinjesystem. När du rör vid trimmerhuvudet medan maskinen är igång matas den nya linjen ut.



## Klipptips (Se Figur H)



1. Sväng trimmern från sida till sida över området som ska skäras.
2. Använd spetsen på skärtråden för att trimma; tvinga inte in trimmerhuvudet i klippt gräs.
3. Ledningar och pinnstaket kan göra att skärtråden slits och bryts av. Sten- och tegelstensväggar, kantsten och trä kan slita mer på skärtråden.
4. Undvik träd och buskar. träbark, träformationer, fasader och staketposter då de kan skadas av skärtråden.
5. Den valda effektnivån påverkar batteriets körtid. Ju lägre effektnivå, desto längre körtid. Det rekommenderas att man använder den lägsta effektnivån om det inte är sämre klippförhållanden.

## För batteriverktyg

Det rekommenderade omgivningstemperaturintervallen för laddningssystem vid laddning är  $-5^{\circ}\text{C} \sim 45^{\circ}\text{C}$  ( $23^{\circ}\text{F} \sim 113^{\circ}\text{F}$ ).

## TRANSPORT

### Transportera trimmern

1. Stäng av trimmern och plocka ur batteriet.
2. När du för trimmern för hand, håll i mitten på skafet med klingen för trimning bakåt och se till




att maskinen är parallell med marken.

3. Vid transport av trimmern i ett fordon, säkra fast den och placera den så att den inte tippar eller skadas.


### Transportera batteriet


1. Se till att batteriet är i ett säkert skick.
2. Använd icke-ledande förpackning när du transporterar batteriet.
3. De inneslutna Li-Ion-batterierna omfattas av lagstiftningen för krav om farligt gods. Transportera endast batterier när batterihöljet är oskadat. Packa batterierna på ett sådant sätt att de inte kan röra sig i förpackningen.

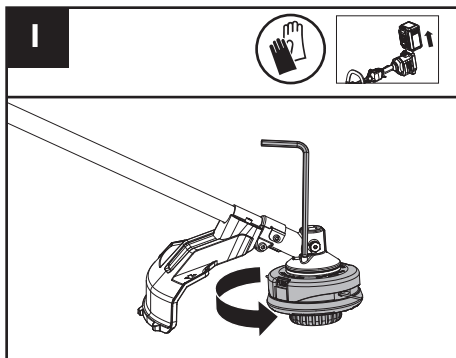
## UNDERHÅLL

 **Ta alltid bort batteriet från din trimmer efter användning.**

### Sätta tillbaka trimmerhuvudet (se Figur I)

 **WARNING!** Användning av ståltråd eller metallförstärkt tråd är inte tillåtet och kan vara extremt farligt. Använd endast den klipptråd som rekommenderas i den här bruksanvisningen tillsammans med det rekommenderade skräpskyddet.

 **WARNING!** Ett skadat eller löst sittande skärhuvud kan vibrera, spricka, brytas av eller lossna från trimmern, vilket kan orsaka allvarliga eller dödliga skador på personer eller egendom. Se till att trimmerhuvudet sitter ordentligt fast och säkert och i gott skick innan du kommer igång



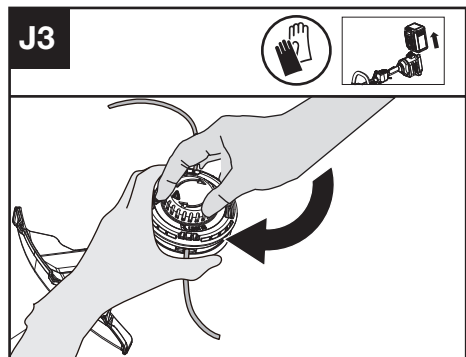
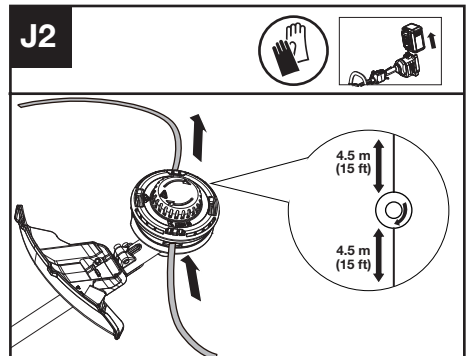
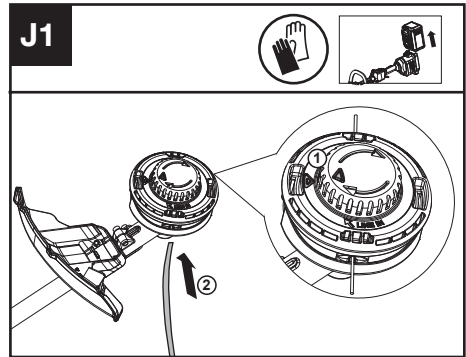
1. För in insexnyckeln i hålet och vrid trimmerhuvudet tills det stannar i låst läge.
2. Vrid sedan medurs för att ta bort den och moturs för att montera den.

### Lindning av trimmerlinjen (Se Figur J1, J2, J3)

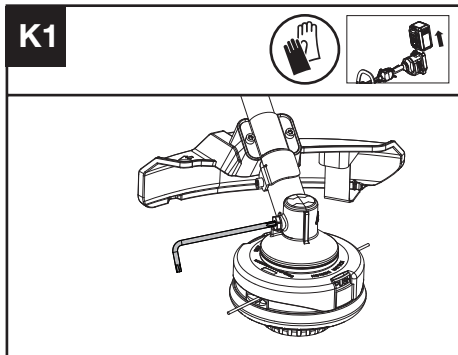
1. Vrid på kåpan till trådspolen för att få de två triangulära ikoner i linje. (Se Figur J1)
2. För in ersättningsstråden genom öglan (tråden

In) och mata ut den genom den andra öglan. Säkerställ att båda ändarna av tråden är jämna på varje ände av trimmerhuvudet (rekommenderad 4.5 m (15 fot)) och klipp av tråden. (Se Figur J2)

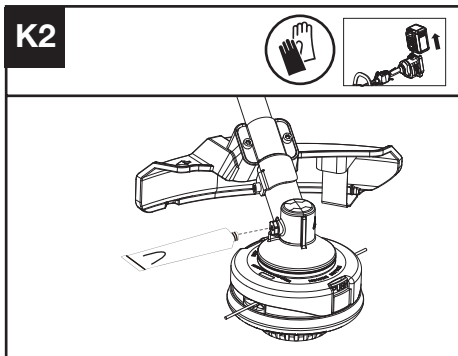
3. Vrid ratten medurs för att linda tråden runt spolen till cirka 16 cm (6") återstår på vardera sidan. (Se Figur J3)



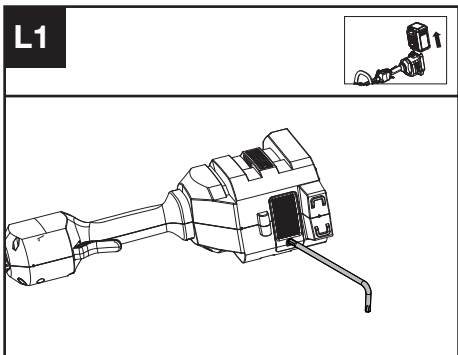
## Smörja växellådan (se Figur K1, K2)



1. Ta bort skruven på växellådan.
2. Om det inte finns något fett på skruvens ända till det koniska kugghjul, smörj in 5 g växelolja (SHELL Gadus S2 V220 1) i växelhuset.
3. Montera tillbaka och dra åt skruven ordentligt.
4. Sätt i batteriet och kör trimmern i 1 minut för att säkerställa att växeln har smorts jämnt.



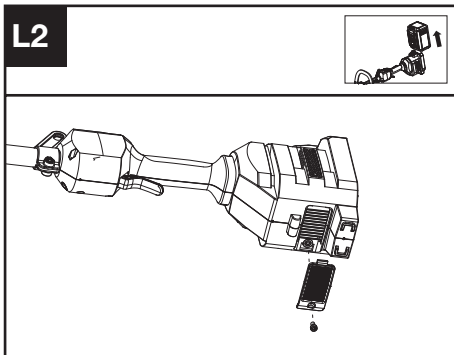
## Rengöra luftfiltret (se Figur L1, L2)



1. Rengör området runt luftfiltret. Använd en fuktig trasa eller mjuk borste.
2. Skruva loss och plocka bort luftfiltret.
3. Tvätta luftfiltret med rinnande vatten för att få

bort smutsen.

4. Låt luftfiltret torka i luften. Och installera det sedan i huset genom att dra åt skruven.



## Underhållsintervaller

Det rekommenderas att man smörjer växellådan och rengör luftfiltret var 50:e timme av drift baserat på faktisk användning.

## RENGÖRING

1. Stäng av trimmern och plocka ur batteriet.
2. Använd inte aggressiva rengöringsmedel eller lösningsmedel. Rengör maskinen efter användning med en fuktad trasa doppad i neutralt rengöringsmedel.
3. Håll uttaget fritt från främmande föremål och rengör med en mjuk och torr borste eller trasa.
4. Spreja inte vatten på motorn eller elektriska komponenter.
5. Använd inte vatten med tryck för att rengöra maskinen.

## FÖRVARING

1. Ta bort batteripaketet från trimmern innan förvaring.
2. När maskinen blivit blöt i regnet under drift bör maskinen och batteriet torkas före förvaring eller laddning. Ta ur batteriet och sätt tillbaka det om maskinen inte kan slås på.
3. Förvara trimmern på ett torr och säkert plats utom räckhåll för barn eller annan obehörig person. Ta bort skärverktyget om det inte ska användas under en längre tid.
4. Förvara batteriet endast inom ett temperaturområde på mellan 5 °C (41°F) och 25 °C (77°F). Som ett exempel, ska batteriet inte lämnas kvar i bilen sommartid.

# FELSÖKNING

I följande tabell hittar du problem och åtgärder som du kan utföra om inte enheten fungerar som den ska.



**Varning: Stäng av enheten och ta bort batteriet före all felsökning.**

## TRIMMER

Problem	Möjliga orsaker	Korrigerande åtgärder
Batteriindikatorns lysdiod blinkar	Låg batterispänning.	Byt ut batteriet.
Lysdioden blinkar rött vid fel	Överbelastning	Skärverktyget har låst sig. Stäng av produkten. Plocka bort batteriet. Rengör skärverktyget från oönskade material.
	Problem med temperaturen.	Låt produkten svalna.
	Gasreglaget och start/stoppknappen trycks in samtidigt.	Släpp upp gasreglaget. Utför startsekvensen igen.
	Andra problem	Kontakta serviceagent
Produkten startar inte	Smuts på batteriets kontakter.	Rengör batteriets kontakter med tryckluft eller en mjuk borste.
	Andra problem	Kontakta serviceagent.
Trimmern kör oregelbundet	Batteriet är inte helt anslutet till maskinen.	Sätt i batteriet helt.
	Potentiellt elektriskt problem.	Kontakta serviceagent.
Överdrivna vibrationer/oljud.	Problem med balansen på tråden.	Linda in tråden igen.
	Problem med skärverktyg. Maskinen defekt.	Byt ut skärverktyget. Kontakta serviceagent.


SV

## BATTERI

Problem	Möjliga orsaker	Korrigerande åtgärder
Lysdioden är tänd vid fel	Batteriet är urladdat	Byt ut batteriet. Om batteriet inte laddar, kontakta din serviceagent.
	Problem med temperaturen.	Använd batteriet i miljöer där temperaturen ligger mellan -5 °C och 45 °C (23°F till 113°F) för laddning; -20 °C till 45 °C (-4°F till 113°F) för urladdning.
	Andra	Kontakta din serviceagent.

# TEKNISKA DATA

Typ: **KC100 KC100.X** (1-dmaskinbeteckning, avser trådlös grässtrimmer)

	<b>KC100 KC100.X **</b>
Spänning	60 V  MAX ***
Skärhastighet	4200 / 5100 / 5900 rpm
Skärdiameter	42 cm (16.5")
Linjediameter	2.4 / 2.7 mm (0.095" / 0.105") nylonlina
Skyddsgrad	IPX4
Maskinens vikt (Naken verktyg)	4.5 kg (9.9 lbs)

\*\* X = 1-999, A-Z, M1-M9 är endast för olika kunder, det finns inga säkerhetsrelaterade förändringar mellan dessa modeller.

\*\*\* Spänning mäts utan arbetsbelastning. Initial batterispänning når maximalt 60 volt. Nominell spänning är 54 volt.

## REKOMMENDERADE BATTERIER OCH LADDARE

Batteripaket	Kapacitet	Laddning	Amperage
KAC804	4.0 Ah	KAC840	30 A
KAC810 (Med ryggsela)	11.0 Ah		

Vi rekommenderar att du köper dina tillbehör från samma leverantör som sålde verktyget till dig. Se förpackningen med tillbehör för mer information. Leverantören kan hjälpa dig och ge råd.

## TEKNISKA DATA FÖR BATTERIPAKET (TILLVAL)

Frekvensband för Bluetooth	2400-2483.5 MHz
Maximal sändareffekt för Bluetooth	8 dBm

## KOMBINATIONER AV SKÄRTILLBEHÖR, AVLEDARE OCH BÄRSYSTEM

Skärtillbehör	Skräpkydd	Barriärstång	Bärsystem
- 10cm - 4 tums trimmerhuvud (som tillval, ingår ej) - 12,7cm- 5 tums trimmerhuvud	- Avledare med hög synlighet - Universell avledare med kjol	- Tillval	- Axelrem - Ryggsela med batteri
- Knivblad	- Universell avledare utan kjol	- Krav	

## BULLERINFORMATION

Uppmätt ljudtryck  $L_{pA} = 79.7 \text{ dB(A)}$

$K_{pA}$  3 dB(A)

Uppmätt ljudstyrka  $L_{wA} = 94.94 \text{ dB(A)}$

$K_{wA}$  0.59 dB(A)

Använd hörselskydd



## VIBRATIONSPERFORMANCEINFORMATION

Typisk uppmätt vibrering  $a_n = 2,45 \text{ m/s}^2$

Osäkerhet  $K = 3 \text{ m/s}^2$

**! WARNING:** Vibrationsemissionsvärdet vid användning av maskinverktyg kan skilja sig åt från det deklarerade värdet beroende på hur verktyget används och beroende på följande exempel och andra variationer av hur verktyget används:

Hur verktyget används och materialet som verktyget används med.

Verktyget är i bra skick och bra underhållet.

Användning av korrekt tillbehör till verktyget och säkerställandet att det är vasst och i bra skick.

Beroende på hur tajt åtdraget handtaget är och om några antivibrationstillbehör används.


Verktyget används som avsett enligt konstruktionen och de här instruktionerna.

**Detta verktyg kan orsaka hand- arm- vibrationssyndrom om det används på felaktigt sätt.**

**! WARNING:** För att det ska bli korrekt bör en beräkning av exponeringsnivån under verkliga förhållanden vid användning också tas med för alla delar av hanteringscykeln såsom tiden när verktyget är avstängt och när det körs på tomgång utan att utföra något arbete. Detta kan betydligt minska exponeringsnivån över den totala arbetsperioden. Hjälp för att minimera risken för vibrationsexponering. Använd ALLTID skarpa mejslar, borrar och blad. Underhåll verktyget i enlighet med dessa instruktioner och håll det välsmort (där det är nödvändigt). Om verktyget ska användas regelbundet, investera i antivibrationstillbehör.

Planera ditt arbetsschema för att sprida ut användning av kraftigt vibrerande verktyg över flera dagar.

## MILJÖSKYDD

 Uttjänade elektriska produkter får inte kasseras som hushållsavfall. Återanvänd där det finns anläggningar för det. Kontakta dina lokala myndigheter eller återförsäljare för återvinningsråd.

## DEKLARATION OM ÖVERENSSTÄMMELSE

VI,  
Positec Germany GmbH  
Postfach 32 02 16, 50796 Cologne, Germany

Deklarerar att denna produkt,  
Beskrivning **Trådlös grässtrimmer**  
Typ **KC100 KC100.X**  
**(1-maskinbeteckning, avser trådlös grässtrimmer)**  
Funktion **skärning gräs och ogräs**

På Positecs vägnar förklara att produkten

**2006/42/EC**

**2014/30/EU**

**2011/65/EU&(EU)2015/863**

**2000/14/EC ändrad av 2005/88/EC**

2000/14/EC ändrad av 2005/88/EC:

- Konformitetsutvärderingsprocedur enligt Bilaga VI
- Uppmätt bullernivå 94.94 dB (A)
- Deklarerad garanterad bullernivå 96 dB (A)

Berört notifierat organ

Namn: **Intertek Deutschland GmbH (Anmält organ 0905)**

Adress: **Stangenstraße 1, 70771 LEINFELDEN-ECHTERDINGEN**

Standarder överensstämmer med

**EN 62841-1, FprEN IEC**

**62841-4-4:2020+FprAA:2021-02, EN 62233,**

**EN ISO 3744, EN IEC 55014-1, EN IEC 55014-2**

Personen som godkänts att sammanställa den tekniska filen

Namn **Marcel Filz**

Adress **Positec Germany GmbH**

**Postfach 32 02 16, 50796 Cologne, Germany**



2022/12/5

Allen Ding

Vice chefsingenjör, tester och certifiering

Positec Technology (China) Co., Ltd  
18, Dongwang Road, Suzhou Industrial  
Park, Jiangsu 215123, P. R. China

SV







Copyright © 2023, Positec. All Rights Reserved.  
AR01693101