

MIS2ION™

Owner's Manual



En Original instructions
De Originalbetriebsanleitung
Fr Notice originale
I Istruzioni originali
Es Manual original
NI Oorspronkelijke gebruiksaanwijzing
Pl Instrukcja oryginalna
Dk Original brugsanvisning
Nor Original driftsinstruks
Sv Original instruktioner

En	Owner's Manual	P04
De	Benutzerhandbuch	P19
Fr	Mode d'emploi	P35
I	Manuale d'uso	P51
Es	Manual de usuario	P67
NI	Gebruikershandleiding	P83
Pl	Instrukcja obsługi	P99
Dk	Instruktionsbog	P115
Nor	Brukermanuel	P130
Sv	Bruksanvisning	P145
KR133E KR136E		

Users can view the electronic instructions at <https://www.kress.com/en/>.

Product safety

General safety warnings



WARNING: Read all safety warnings and all instructions. Failure to follow the warnings and instructions may result in electric shock, fire and/or serious injury.

Carefully read the instructions for the safe operation of the machine.

Save all warnings and instructions for future reference.

- This appliance is not intended for use by persons (including children) with reduced physical, sensory or mental capabilities, or lack of experience and knowledge, unless they have been given supervision or instruction concerning use of the appliance by a person responsible for their safety.
- Children should be supervised to ensure that they do not play with the appliance.
- This appliance contains batteries that are only replaceable by skilled persons.

WARNING: For the purposes of recharging the battery, only use the detachable supply unit provided with this appliance.

4

EN

**IMPORTANT
READ CAREFULLY BEFORE USE
KEEP FOR FUTURE REFERENCE**

Safe operation practices Training

- a) Read the instructions carefully. Make sure you understand the instructions and be familiar with the controls and the proper use of the appliance.
- b) Never allow people unfamiliar with these instructions or children to use the appliance. Local regulations can restrict the age of the operator.
- c) The operator or user is responsible for accidents or hazards occurring to other people or their property.

Preparation

- a) Ensure the correct installation of boundary wire as instructed.
- b) Periodically inspect the area where the appliance is to be used and remove all stones, sticks, wires, bones, and other

foreign objects.

- c) Periodically visually inspect to see that the blades, blade bolts and cutter assembly are not worn or damaged. Replace worn or damaged blades and bolts in sets to preserve balance.
- d) On multi-spindle appliances, take care as rotating one blade can cause other blades to rotate.
- e) **WARNING!** The lawnmower shall not be operated without the guard in place.

Operation

1. General

- a) Never operate the appliance with defective guards, or without safety devices, for example deflectors, in place.
- b) Do not put hands or feet near or under rotating parts. Keep clear of the discharge opening at all times.
- c) Never pick up or carry an appliance while the motor is running.
- d) Operate the disabling device from the appliance
 - Before clearing a blockage;
 - Before checking, cleaning or working on the appliance;
 - After striking a foreign object to inspect the machine for damage;
 - If the machine starts to vibrate abnormally, and to check for damage before restarting.
- e) It is not permitted to modify the original design of robotic lawnmower. All modifications are made at your own risk.
- f) Start robotic lawnmower according to the instructions. When the power is on, make sure you keep your hands and feet away from the rotating blades. Never put your hands and feet under the mower.
- g) Never lift up robotic lawnmower or carry it when the power is on.
- h) Do not let persons who do not know how robotic lawnmower works and behaves use the mower.
- i) Do not put anything on top of robotic lawnmower or its charging station.
- j) Do not allow robotic lawnmower to be used with a defective blade disc or body. Neither should it be used with defective blades, screws, nuts or cables.
- k) Always switch off robotic lawnmower when you do not intend to use the mower. Robotic lawnmower can only start when the power is on and the correct PIN code has been entered.
- l) Keep your hands and feet away from the

rotating blades. Never place your hands or feet close to or under the body when robotic lawnmower is in operation.

- m) To avoid using the machine and its peripherals in bad weather conditions especially when there is a risk of lightning.
- n) Not to touch moving hazardous parts before these have come to a complete stop.
- o) For machines used in public areas, that warning signs shall be placed around the working area of the machine. They shall show the substance of the following text:
Warning! Automatic lawnmower! Keep away from the machine! Supervise children!

2. Additionally when the appliance is operating automatically

- a) Do not leave the machine to operate unattended if you know that there are pets, children or people in the vicinity.

Maintenance and storage



WARNING! When the mower is turned upside down the power must always be off.

The power should be off during all work on the mower's under frame, such as cleaning or replacing the blades.

- a) Keep all nuts, bolts and screws tight to be sure the appliance is in safe working condition.
- b) Inspect the robotic lawnmower each week and replace worn or damaged parts for safety.
- c) Check especially that the blades and blade disc are not damaged. Replace all blades and screws at the same time if necessary so that the rotating parts are balanced.
- d) Ensure that only replacement cutting means of the right type are used.
- e) Ensure that batteries are charged using the correct charger recommended by the manufacturer. Incorrect use may result in electric shock, overheating or leakage of corrosive liquid from the battery.
- f) In the event of leakage of electrolyte flush with water/neutralizing agent, seek medical help if it comes into contact with the eyes etc.
- g) Servicing of the appliance should be according to manufacturers' instructions.

Recommendation

To connect the machine and/or its peripherals only to a supply circuit protected by a residual current device (RCD) with a tripping current of

not more than 30 mA.

Residual risks

To avoid injuries, wear protective gloves when replacing the blades.

Transport

The original packaging should be used when transporting robotic lawnmower over long distances.

To safely move form or within the working area:

- a) Press the STOP button to stop the mower.
You select the four digit PIN code when you start the mower for the first time.
- b) Always switch off robotic lawnmower if you intend to carry the mower.
- c) Carry the mower by the handle at the rear under the mower. Carry the mower with the blade disc away from the body.

RF exposure requirements

To satisfy RF exposure requirements, a separation distance of 200mm or more should be maintained between this device and persons during device operation.

To ensure compliance, operations at closer than this distance is not recommended. The antenna used for this transmitter must not be co-located in conjunction with any other antenna or transmitter.

This is a class III appliances and it must only be supplied at safety extra low voltage corresponding to the marking on the appliance.

Maintenance

- 1) **Have your equipment serviced by a qualified repair person using only identical replacement parts.** This will ensure that the safety of the equipment is maintained.
- 2) **Never service damaged battery.** Service of the battery should only be performed by the manufacturer or authorized service providers.

Safety Warnings for battery pack inside the tool

- a) **Do not dismantle, open or shred battery pack.**
- b) **Do not short-circuit a battery pack. Do not store battery packs haphazardly in a box or drawer where they may short-circuit each other or be short-circuited by conductive materials.** When battery

pack is not in use, keep it away from other metal objects, like paper clips, coins, keys, nails, screws or other small metal objects, that can make a connection from one terminal to another. Shorting the battery terminals together may cause burns or a fire.

- c) **Do not expose battery pack to heat or fire. Avoid storage in direct sunlight.**
- d) **Do not subject battery pack to mechanical shock.**
- e) **In the event of battery leaking, do not allow the liquid to come into contact with the skin or eyes. If contact has been made, wash the affected area with copious amounts of water and seek medical advice.**
- f) **Seek medical advice immediately if a cell or battery pack has been swallowed.**
- g) **Keep battery pack clean and dry.**
- h) **Recharge only with the charger specified by Kress. Do not use any charger other than that specifically provided for use with the equipment.**
- i) **Do not use any battery pack which is not designed for use with the equipment.**
- j) **Keep battery pack out of the reach of children.**
- k) **Retain the original product literature for future reference.**
- l) **Dispose of properly.**
- m) **Do not mix cells of different manufacture, capacity, size or type within a device.**
- n) **Warning! Do not use non-rechargeable batteries.**

User manual requirements for wireless product

- a) Operation of this device is subject to the following two conditions:
 - (1) This device may not cause harmful interference, and
 - (2) this device must accept any interference received, including interference that may cause undesired operation.
- b) Caution: Changes or modifications to this unit not expressly approved by the party responsible for compliance could void the user's authority to operate the equipment.
- c) NOTE: This equipment generates, uses and can radiate radio frequency energy and, if not installed and used in accordance with the instructions, may cause harmful interference to radio communications. However, there is no guarantee that interference will not occur in a particular installation. If this equipment does cause harmful interference

to radio or television reception, which can be determined by turning the equipment off and on, the user is encouraged to try to correct the interference by one or more of the following measures:

- Reorient or relocate the receiving antenna.
- Increase the separation between the equipment and receiver.
- Connect the equipment into an outlet on a circuit different from that to which the receiver is connected.
- Consult the dealer or an experienced radio/TV technician for help.

Symbols



WARNING – robotic lawnmower can be dangerous if incorrectly used. Read through the Operator's manual carefully and understand the content before using your robotic lawnmower.



WARNING - Keep a safe distance from the machine when operating.



WARNING – Operate the disabling device before working on or lifting the machine.



WARNING – Do not ride on the machine.



Class III appliance



Waste electrical products must not be disposed of with household waste. Please recycle where facilities exist. Check with your local authorities or retailer for recycling advice.



Li-Ion battery. This product has been marked with a symbol relating to 'separate collection' for all battery packs and battery pack. It will then be recycled or dismantled in order to reduce the impact on the environment. Battery packs can be hazardous for the environment and for human health since they contain hazardous substances.



Do not burn.



Batteries may enter water cycle if disposed improperly, which can be hazardous for ecosystem. Do not dispose of waste batteries as unsorted municipal waste.



Do not wash the machine with a high pressure washer



Read operator's manual

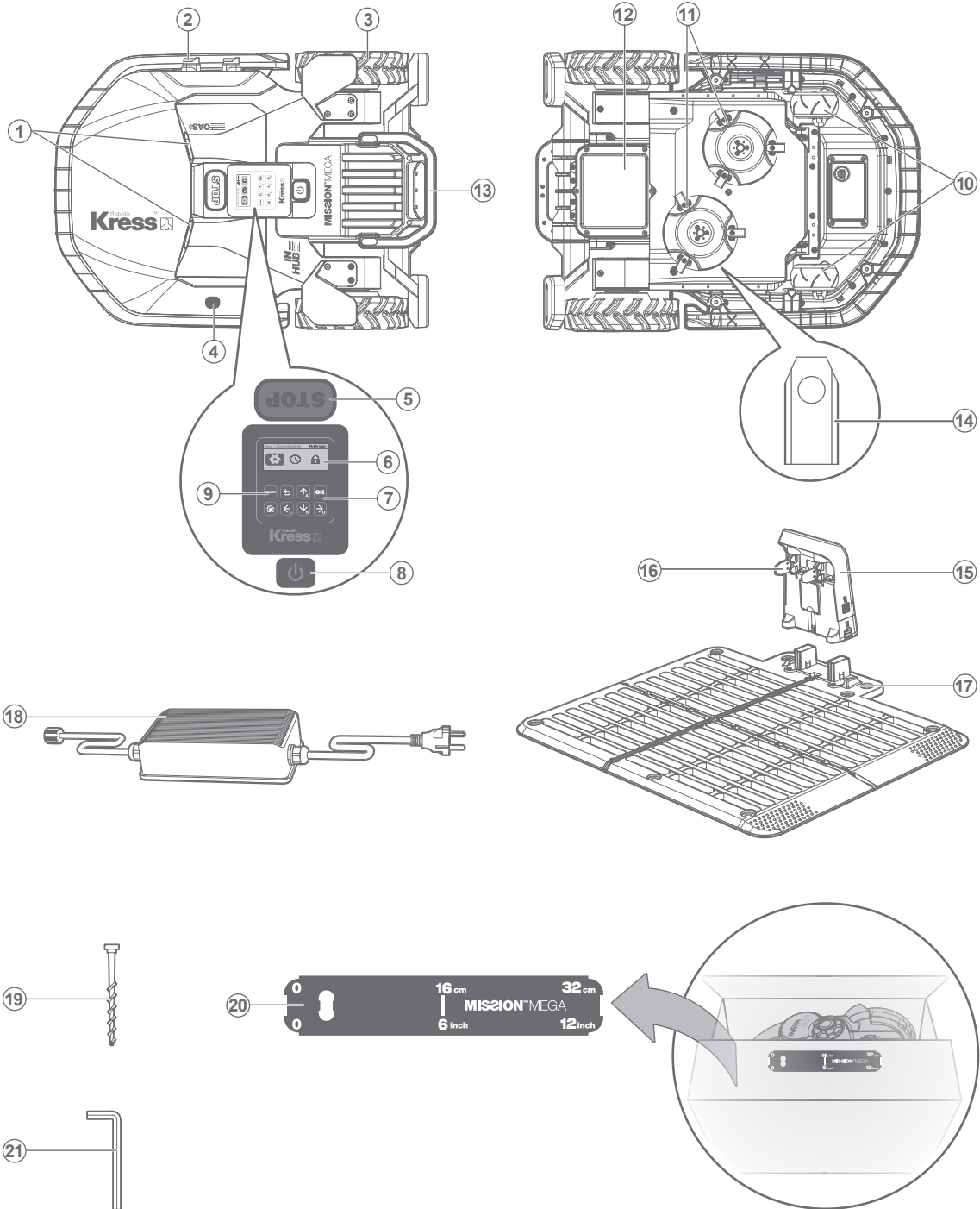


Detachable supply unit



Prohibit disassembling the machine without authorization

Component list




- | | |
|------------------------|----------------------------------|
| 1. Ultrasonic sensor | 12. Battery Pack* |
| 2. Charging Strips | 13. Handle |
| 3. Rear Driving Wheel | 14. Cutting Blade |
| 4. Rain Sensor | 15. Charging pile |
| 5. STOP Button | 16. Contact Pins |
| 6. Display | 17. Charging Base |
| 7. Keypad | 18. Power Adapter |
| 8. ON/OFF key | 19. Charging Base Fixing Nails |
| 9. START key | 20. Boundary Wire Distance Gauge |
| 10. Front Wheel | 21. Hex Key |
| 11. Blade Turning Disc | |

***Not all the accessories illustrated or described are included in standard delivery.**

Technical Data For Mower

Type **KR133E KR136E (100-199 - designation of machinery, representative of Robotic Lawnmower)**

	KR133E	KR136E
Rated voltage	20V  Max.*	
No load speed	2800/min	3200/min
Cutting area	Rec. / max. area performance: 3000 m ² / 4400 m ²	Rec. / max. area performance: 6000 m ² / 6500 m ²
Cutting diameter	35 cm	
Cutting height	30-60 mm	
Cutting high steps	5 mm	
Battery type	Lithium-ion	
Battery model	KA3006	KA3010
Charging time approx.	46 min.	77 min.
Charger model	KA3717 / KA3817	
Charger rating	Input: 100-240V~50/60Hz, 230W, Output: 28V, 7.0A	
Machinery weight	19 kg	19.5 kg
Protection degree	III	
App(Wi-Fi/Bluetooth)	Y	
Maximum slope within the work surface	45%	
Frequency bands for Bluetooth (MHz)	2400-2483.5 MHz	
Maximum Transmitted Power for Bluetooth (dBm)	8 dBm	
Frequency bands for WIFI (MHz)	2400-2483.5 MHz	
Maximum Transmitted Power for WIFI (dBm)	20 dBm	

Frequency band of inductive loop systems	77 Hz
Max. radio-frequency power of inductive loop systems	82 dB μ A/m

* Voltage measured at no load. Initial battery voltage reaches maximum of 20 volts. Nominal voltage is 18 volts.

Technical Data For GeoTrace


Rated Voltage	5V \pm 5%
Operating temperature	-10°C ~ +72°C
Storage temperature	-20°C ~ +75°C

Band	Tx (MHz)	Rx (MHz)	The Maximum (EIRP) Transmitted Power (dBm)
EGPRS 900MHZ	880~915	925~960	30
EGPRS 1800MHZ	1710~1785	1805~1880	30
NB-IOT Band3	1710~1785	1805~1880	24
NB-IOT Band8	880~915	925~960	24
NB-IOT B20	832~862	791~821	24

10

EN

Noise data

	KR133E	KR136E
A weighted sound pressure	$L_{pA} = 46.72$ dB (A), $K_{pA} = 0.39$ dB(A)	$L_{pA} = 46.5$ dB (A), $K_{pA} = 1.75$ dB(A)
A weighted sound power	$L_{wA} = 57.72$ dB (A), $K_{wA} = 0.39$ dB(A)	$L_{wA} = 57.5$ dB (A), $K_{wA} = 1.75$ dB(A)
Wear ear protection when sound pressure is over		80dB(A) 

A degree of noise from the machine is not avoidable. Route noisy work is to be licensed and limits for certain periods. Keep rest periods and they may need to restrict the working hours to a minimum. For their personal protection and protection of people working nearby, an appropriate hearing protection shall be worn.

Accessories

Screw	18
Charging station	1
Charging base fixing nails	8
Hex key	1
Boundary wire distance gauge	1
Blade	18
Battery pack (KA3006/KA3010)	1
Charger (KA3717/KA3817)	1

We recommend that you purchase genuine accessories listed in the above list from the same store that sold you the tool. Refer to the accessory packaging for further details. Store personnel can assist you and offer advice.

Intended Use

The garden product is intended for lawn mowing. It is designed to mow often, maintaining a healthier and better looking lawn than ever before. Depending on the size of your lawn, Mission™ may be programmed to operate at any time or frequency. It is not intended for digging, sweeping or snow cleaning.

Maintenance

Your Mission™ works hard and needs to be cleaned and checked from time to time. Some parts will require replacement as they become worn. Never use your Mission™ with defective on/off switch. Switch off the machine before carrying out any service or maintenance. Here's how to take care of your Mission™.

1

Keep it Sharp

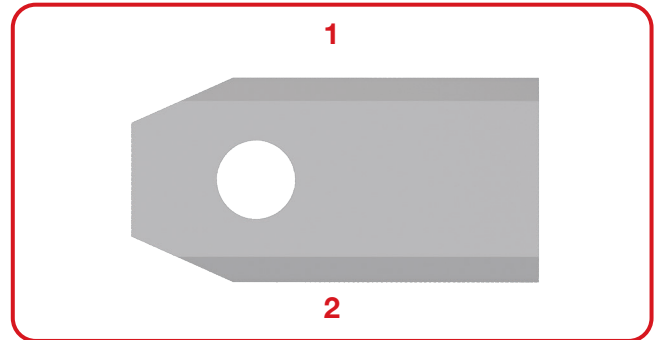


WARNING: Before cleaning, adjusting, or replacing the blades, turn your Mission™ OFF and put on protective gloves.



WARNING: When fitting new blades, make sure you replace ALL the blades. Always use new screws when fitting blades. This is important to ensure blade retention and balance the blade turning disc. Failure to use new screws could cause serious injury.

The Mission™ does not cut grass like other mowers. Its cutting blades are razor sharp on 4 edges and rotate in both directions for maximum cutting capacity. Each blade of your Mission™ has 4 cutting edges. The blade turning disc will make forward and reverse rotation at random to use 4 cutting edges and minimize the frequency of replacing the blades. And with new material, the service life of each cutting blade will be 3 times longer than that of other brands' when it is programmed to mow every day. Always check to see if the blades are chipped or damaged and replace them if they are. When the cutting blades are dull and worn out, they should be replaced with the spare blades provided with your Mission™. Spare blades are also available at your nearest Kress retailer .



A. Replace the blades

12

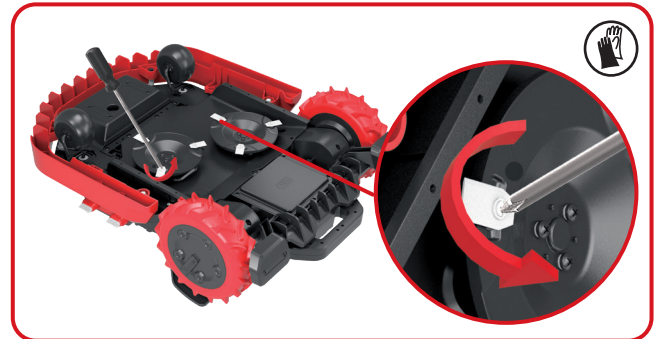
EN

Usually your Mission™'s blades need to be reversed each month and replaced each 2 months. When replacing the blades, make sure to replace all of them at the same time. You can replace them with one of the spare blade kits and extra blade screws supplied with your Mission™.

Before attempting to replace your Mission™'s blades, turn the power off and put on protective gloves and follow these steps:

1. Gently flip the Mission™ over.
2. Remove the battery cover and remove the battery.
3. Take the screws off the blades with a screwdriver.
4. Firmly screw on the new blades.
5. Refit the battery and the battery cover.

Important: After screwing the blade to the blade disc, make sure the blade is able to spin freely.



2

Keep it Clean



WARNING: Before cleaning, turn your Mission™ OFF. Put on protective gloves before cleaning the blade turning disc and do not rinse or flush with water.



WARNING! YOUR Mission™ can only be washed by using a hose! DO NOT use high pressure washer on your Mission™. High pressure water can go inside the sealings and damage electronic and mechanical parts.

A. Cleaning the Body

Your Mission™ will live a much happier and longer life if it is cleaned regularly. Since your Mission™ is an electric machine, you will need to take care when cleaning. Hose water clean is supported. It is best to use a spray bottle filled with water. When cleaning the machine body, use a soft brush or clean cloth and avoid using solvents or polishes. Lastly, remove all build up of grass clippings and debris.

B. Cleaning the underside

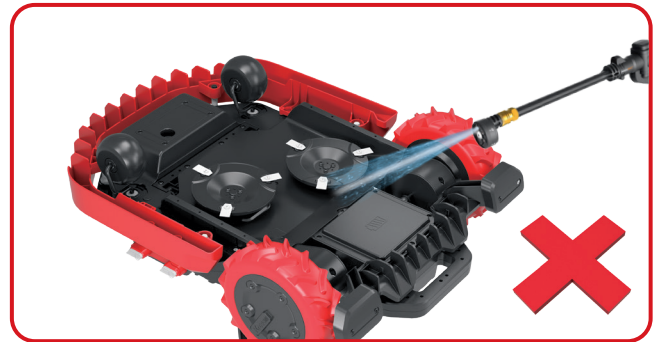
Again, it is important that you power the Mission™ OFF and **wear protective gloves before touching the blade turning disc**. First, flip your Mission™ upside down to expose its underside. Here you will see the blade disc, the chassis, and the front wheel and driving wheels. Clean everything thoroughly with a soft brush or moist rag. Hose water clean is supported.

Rotate the blade disc to ensure it rotates freely. Check the blades spin freely around the fixing screws. Remove any obstructions.

IMPORTANT: Remove any lodged debris so that it does not cause a crack in the blade disc. Even the tiniest crack can decrease your Mission™'s mowing output.

C. Clean the contact pins and the charging strips

Clean the contact pins located on the charging station and the charging strips located on the Mission™ using a cloth. Remove any built up grass clippings or debris around the contact pins and charge strips periodically to ensure the Mission™ successfully charges each time.



3

Battery Life

The heart of the Mission™ is its 20V Li-Ion Battery. For proper storage of the battery, make sure it is fully charged and kept in a cool dry place between (20°C ± 5°C).

NOTE: The recommend Mission™ operation temperature is between 0°C - 45°C.

The life-span of the Mission™'s battery depends on various factors, such as:

- The length of the mowing season in your region
- Amount of hours the Mission™ mows per day
- Battery maintenance during storage

Mission™ can be charged manually without the boundary wire.

1. Connect the charging station to a suitable power supply. The green light on the charging station will turn on.
2. Manually dock the Mission™ into the charging station while the Mission™ is powered off.
3. The green light on the charging station will be flashing and Mission™ will begin to charge.



4

Winter Hibernation

14

EN

Your Mission™ will live longer and healthier if it is allowed to hibernate. So even though it is tough, we recommend storing your Mission™ in your shed or garage during the winter.

Before you prepare your Mission™ for winter hibernation, we recommend you:

- Thoroughly clean your Mission™
- Fully charge the battery
- Turn the power off

To maximize the battery life, fully charge the battery before storage during winter.




WARNING: Protect the underside of Mission™ from water. NEVER store Mission™ upside down outdoors.

The boundary wire can be left in the ground although its ends should be protected, such as placed in a tin can with grease. If the charging station is left outside for the winter, leave the boundary wire connected.

NOTE: When bringing the Mission™ back to work after winter hibernation, make sure the charging strips and contact pins are clean. We recommend using a fine grade emery cloth to clean the contacts. Using the app, make sure the date and time are correct and send Mission™ back to what it loves doing: mowing.

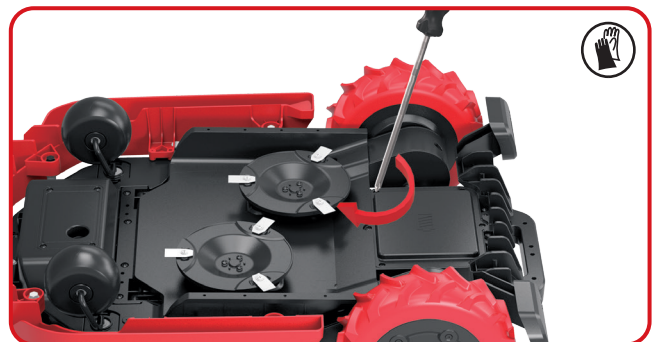
5

Replacing the battery

 **WARNING:** Power off before attempting any adjustment, replacement or repair.
Before replacing the blades, turn your Mission™ OFF and put on protective gloves.

If you need to replace the battery, follow these steps:

1. Gently turn your Mission™ upside down.
2. Remove the screws on the battery cover.
Remove the battery cover.
3. Unplug the connector. Replace the old battery with the new one. Then plug the connector.
4. Place the cover back in its position and tighten the screws.



Troubleshooting

If your Mission™ does not work correctly, follow the trouble shooting guide below. If the fault persists, contact your dealer.

Symptom	Cause	Solution
The LED light on the charging station does not turn on.	There is no power.	Check the charging station is connected properly to the charger and the charger is connected to a suitable power supply.
Red light turns on the charging station.	The boundary wire isn't connected.	Check that the boundary wire has been connected correctly to the charging station. Check there are no breaks in the boundary wire, especially in the wire ends.
Your Mission™ is inside its working area but the display says "outside working area" and the LED is green.	The boundary wire ends are clamped incorrectly.	Reverse the boundary wire ends.
Mission™ cannot correctly dock with the Charging station.	Environmental influences.	Restart Mission™.
	Poor connection caused by debris on the charging strip.	Clean the contact pins located on the charging station and the charging strip on Mission™ using a cloth.
Mission™ runs outside the boundary wire. Mission™ does not mow an area within a boundary wire zone. Mission™ reverses or rotates erratically near the boundary wire.	The boundary wire of another Mission™ or another branded robotic mower is positioned too closely.	Ensure your Mission™ boundary wire has at least 1m of spacing between the neighboring boundary wire.
	The boundary wire has been installed with acute angles.	Check the boundary wire to ensure the angles are smooth.
	In wet conditions, the boundary wire electric signal may leak where wire has been joined or repaired.	Check boundary wire joints. Insulate to provide a fully waterproof connection.
	There is boundary wire electric signal leakage due to broken insulation.	Repair damaged boundary wire insulation with insulation tape.
	The cutting area is larger than the allowable cutting area for Mission™.	Decrease the cutting area.
Mission™ exits the boundary wire due to high speed when going down a hill.	The boundary wire is placed on a slope steeper than 17% (10°).	Reposition the boundary wire away from slopes that are steeper than 17% (10°).
The position of Mission™ cannot be shown precisely on the App, or its position cannot be detected.	The GPS signal is affected by the weather or some interference.	1. Check and make sure: Mission™ is not upside down or on its side; Mission™ is not covered by some metal objects. 2. Take Mission™ to an open area where it can obtain a mobile signal.
	You are not using the latest version of the Mission™ App.	Please update the Mission™ App to the latest version.

Mission™ does not give an alarm when it is outside the Geo fence.	The software of Mission™ itself is not the latest.	Update the software of the Mission™ before using the GeoTrace.
	There is a small tolerance area immediately outside the perimeter set for GeoTrace.	Bring Mission™ outside of the tolerance area (approximately 30m from the Geo fence) to verify that GeoTrace is working.
	The GeoTrace is powered off.	Turn on Mission™ and if necessary recharge it. If it doesn't need to be recharged, Find My Mission™ GeoTrace will be recharged by the Mission™ battery. (GeoTrace has an inner battery that lasts a week after the machine is turned off).
	Geo Fence is not set, or radius of Geo Fence is not set.	Use the Mission™ App to set it properly.
	Mission™ is powered off.	In this case, the alarm will be sent 10mins after the Mission™ is brought outside of the Geo fence.
Mission™ still works when it is outside the Geo fence.	Geo Fence is not set, or radius of Geo Fence is not set.	Use the Mission™ App to set it properly.
	Geo Fence is not enabled.	
Mission™ works normally but the communication between Mission™ and smartphone does not work properly.	The cellular network coverage of GeoTrace is weak.	Check if it has a weak signal. If yes move to an area with a good signal.
	The GeoTrace is damaged.	Contact a dealer and get it checked properly.
	The software of Mission™ is not the latest.	Update the software of Mission™.
	The Mission™ App needs to be updated.	Update your Mission™ App before using the GeoTrace.
	The SIM of the GeoTrace is not activated.	Before first use, make sure you have activated the SIM by following the procedure in the App.
	The GeoTrace is not well connected to Mission™	Contacting dealer. Check that the GeoTrace connector is correctly inserted with a click.
	Mission™ has no power.	Check if the screen of Mission™ is illuminated. If not, send Mission™ back to the charging base for charging or start emergency procedure to charge it.
The SIM subscription fee has expired.	Once expired it must be renewed.	
Mission™ is unable to achieve real time positioning or the location of Mission™ cannot be updated in real-time.	The GeoTrace is designed to update the positioning every 10 minutes for power economy. When Mission™ has low power battery capacity, the time interval of positioning update will be longer.	This is normal. No action is needed.
	If Mission™ has been switched off for more than 24 hours in the Geo fence for storage, the GeoTrace is auto powered off with no GPS signal.	

NOTE:

1. The battery of GeoTrace must be replaced by the service agent.
2. Make sure Mission™ is regularly charged during storage, once every half year is recommended.
3. The GeoTrace needs be renewed once SIM subscription fee expired.

Environmental protection



Waste electrical products should not be disposed of with household waste. Please recycle where facilities exist. Check with your Local Authority or retailer for recycling advice.

Declaration of conformity

We,
Positec Germany GmbH
Postfach 32 02 16, 50796 Cologne, Germany

On behalf of Positec declare that the product,
Description **Robotic Lawnmower**
Type **KR133E KR136E (100-199- designation of machinery, representative of Robotic Lawnmower)**
(Year, article number and month of serial number are placed on the back page. The complete serial number is clearly stated on the enclosure of lawnmower) with battery charger KA3717/KA3817 and charging station KA0072/KA0073
Function **Cutting grass**

Complies with the following Directives,
2006/42/EC, 2014/30/EU, 2014/35/EU, 2011/65/EU&(EU)2015/863, 2000/14/EC amended by 2005/88/EC, 2014/53/EU

2000/14/EC amended by 2005/88/EC	KR133E	KR136E
- Conformity Assessment Procedure as per	Annex V	Annex V
- Measured Sound Power Level	57.72 dB (A)	57.5 dB (A)
- Declared Guaranteed Sound Power Level	59 dB (A)	59.3 dB (A)

The notified body Intertek, Semko AB, NB-No. 0413 has carried out an EU type examination according to Directive 2014/53/EU and issued the following EU type examination certificate: SE-RED-2200106

GeoTrace:

The notified body involved
Name: TIMCO ENGINEERING, Inc (notified body CE1177)
Address: 849 NW State Road 45, Newberry, Florida 32669, USA

18

EN

Standards conform to,
For Lawn mower: EN 50636-2-107:2015+A1:2018+A2:2020+A3:2021, EN 60335-1:2012+A11:2014+A13:2017+A1:2019+A2:2019+A14:2019+A15:2021, EN IEC 62311:2020, EN IEC 55014-1:2021, EN IEC 55014-2:2021, EN IEC 61000-3-2:2019+A1:2021, EN 61000-3-3:2013+A1:2019+A2:2021
For Induction loop system: EN 303 447 V1.1.1
For Ultrasonic module: EN 55011:2016+A11:2020
For Bluetooth & WIFI module (2.4G): EN 301 489-1 V2.2.3, EN 301 489-17 V3.2.4, EN 300 328 V2.2.2
For 4G+GPS module: EN 301 489-1 V2.2.3, EN 301 489-19 V2.1.1, EN 301 489-52 V1.2.1, EN 301 511 V12.5.1, EN 301 908-1 V13.1.1, EN 301 908-13 V13.1.1, EN 303 413 V1.1.1
For charger: EN IEC 55014-1:2021, EN IEC 55014-2:2021, EN IEC 61000-3-2:2019+A1:2021, EN 61000-3-3:2013+A1:2019+A2:2021, EN IEC 60335-2-29:2021+A1:2021, EN 60335-1:2012+A11:2014+A13:2017+A1:2019+A2:2019+A14:2019+A15:2021, EN 62233:2008
For Noise: EN ISO 3744:2005
For RoHS: EN IEC 63000:2018

The person authorized to compile the technical file,

Name **Marcel Filz**
Address **Positec Germany GmbH Postfach 32 02 16, 50796 Cologne, Germany**



2023/09/20
Allen Ding
Deputy Chief Engineer, Testing & Certification
Positec Technology (China) Co., Ltd.
18, Dongwang Road, Suzhou Industrial
Park, Jiangsu 215123, P. R. China

Die elektronischen Anleitungen sind abrufbar unter <https://www.kress.com/en/>.

Benutzer bei Unfällen oder Gefährdungen anderer Personen oder deren Eigentum die Verantwortung trägt!

Produktsicherheit

Allgemeine Sicherheitshinweise für Elektrowerkzeuge



WARNUNG: Lesen Sie alle Sicherheitshinweise und Anweisungen.

Versäumnisse bei der Einhaltung der Sicherheitshinweise und Anweisungen können elektrischen Schlag, Brand und/oder schwere Verletzungen verursachen.

Lesen Sie die Bedienungsanleitung zum sicheren Betrieb des Gerätes aufmerksam durch.

Bewahren Sie alle Sicherheitshinweise und Anweisungen für die Zukunft auf.

- Dieses Gerät ist nicht zur Verwendung durch Personen (einschließlich Kindern) vorgesehen, die über reduzierte körperliche Eignung, Wahrnehmung oder geistige Fähigkeiten, Mangel an Erfahrung und Wissen verfügen, sofern diese Personen nicht von einer verantwortlichen Person beaufsichtigt oder in der Verwendung des Gerätes unterwiesen wurden.
- Kinder sollten grundsätzlich beaufsichtigt werden, damit sie nicht mit dem Gerät spielen.
- Dieses Gerät enthält Batterien, die nur von Fachleuten ausgetauscht werden können. **WARNUNG:** Verwenden Sie zum Aufladen des Akkus nur das mit diesem Gerät gelieferte abnehmbare Netzteil.

WICHTIG VOR GEBRAUCH BITTE SORGFÄLTIG DURCHLESEN UND FÜR WEITERE FRAGEN AUFBEWAHREN

Sicherer Betrieb Training

- a) Die Anweisungen aufmerksam durchlesen. Machen Sie sich mit den Bedienelementen und dem vorschriftsmäßigen Gebrauch des Rasenmähers vertraut.
- b) Niemals Kindern oder mit diesen Anweisungen nicht vertrauten Personen erlauben, den Rasenmäher zu benutzen. Nationale Vorschriften können das Alter der Bedienperson möglicherweise beschränken.
- c) Bedenken Sie, dass der Bediener oder

Vorbereitung

- a) Stellen Sie sicher, dass das Begrenzungskabel gemäß den Anweisungen verlegt wird.
- b) Inspizieren Sie die Gegend, in der die Ausrüstung eingesetzt werden soll, gründlich und entfernen Sie alle Objekte, die durch die Maschine aufgeschleudert werden könnten.
- c) Überprüfen Sie in regelmäßigen Abständen, ob Messer, Messerschrauben und Schneidbalken abgenutzt oder beschädigt sind. Abgenutzte Messer und Schrauben nur im ganzen Satz auswechseln, um Unwuchten zu vermeiden.
- d) Achten Sie darauf, dass bei Geräten mit mehreren Klingen ein Klingensatz durch den anderen in Rotation versetzt werden kann.
- e) **WARNUNG!** Der Rasenmäher darf nicht betrieben werden, wenn der Schutz nicht angebracht ist.

Betrieb

1. Allgemeine Sicherheitshinweise

- a) Betreiben Sie das Gerät niemals mit defektem Schutz oder ohne installierte Sicherheitsvorrichtungen, wie etwa Deflektoren;
- b) Hände und Füße nicht in die Nähe oder unter rotierende Teile bringen. Halten Sie sich stets von der Austrittsöffnung fern.
- c) Niemals den Rasenmäher bei laufendem Motor anheben oder tragen.
- d) Betätigen Sie die Deaktivierungseinrichtung des Geräts:
 - vor dem Beseitigen einer Verstopfung;
 - vor dem Überprüfen, Reinigen oder Arbeiten am Gerät;
 - nach dem Auftreffen auf einen Fremdkörper ist das Gerät auf Schäden zu überprüfen;
 - wenn das Gerät beginnt, ungewöhnlich zu vibrieren, und zur Überprüfung auf Beschädigungen vor der Wiederinbetriebnahme.
- e) Der ursprüngliche Zustand des Kress Mission™ darf nicht modifiziert werden. Alle Änderungen erfolgen auf eigene Verantwortung.
- f) Starten Sie den Roboter-Rasenmäher gemäß Anweisungen. Achten Sie bei eingeschaltetem Gerät darauf, dass Ihre Hände und Füße nicht in die Nähe der rotierenden Messer kommen. Bringen Sie

- Ihre Hände und Füße niemals unter den Rasenmäher.
- g) Heben Sie den Mähroboter niemals an und tragen Sie ihn nicht, wenn er eingeschaltet ist.
 - h) Erlauben Sie niemandem, der sich mit den Funktionen und Verhaltensmustern des Kress Mission™ nicht auskennt, den Mäher zu benutzen.
 - i) Keine Gegenstände auf den Kress Mission™ oder seine Ladestation legen.
 - j) Wenn der Messerteller oder das Gehäuse defekt ist, darf der Kress Mission™ nicht in Betrieb genommen werden. Das gleiche gilt für defekte Messer, Schrauben, Muttern oder Kabel.
 - k) Schalten Sie den Roboter-Rasenmäher stets aus, wenn dieser nicht verwendet wird. Der Mähroboter kann nur starten, wenn der Strom eingeschaltet ist und der korrekte PIN-Code eingegeben wurde.
 - l) Halten Sie Hände und Füße von den rotierenden Rasenmäherklingen fern. Halten Sie mit Ihren Händen und Füßen stets einen sicheren Abstand zum Gehäuse ein, solange der Rasenmäher in Betrieb ist.
 - m) Vermeiden Sie die Nutzung der Maschine und deren Peripheriegeräten bei schlechtem Wetter, besonders wenn die Gefahr eines Blitzschlags.
 - o) Bei Maschinen, die in öffentlichen Bereichen verwendet werden, müssen diese Warnschilder um den Arbeitsbereich der Maschine angebracht werden. Sie sollen den Inhalt des folgenden Textes zeigen:
Warnung! Automatischer Rasenmäher!
Halten Sie sich von der Maschine fern!
Beaufsichtigen Sie Kinder!

2. Hinweis zum Automatikbetrieb des Roboters

- a) Den Kress Mission™ niemals unbeaufsichtigt verwenden, wenn sich Personen – besonders Kinder – oder Haustiere in der Nähe aufhalten.

Wartung und Lagerung



WARNUNG! Falls der Mäher auf den Kopf gedreht werden soll, muss er immer ausgeschaltet sein. Bei allen Arbeiten am Untergestell des Mähers, z. B. beim Reinigen oder Auswechseln der Messer, muss er ausgeschaltet sein.

- a) Stellen Sie den festen Sitz aller Schrauben, Muttern und Bolzen sicher, um zu gewährleisten, dass sich der Rasenmäher in

- einem betriebssicheren Zustand befindet.
- b) Den Kress Mission™ einmal pro Woche kontrollieren und eventuell beschädigte oder verschlissene Teile austauschen.
- c) Messer und Messerteller besonders sorgfältig auf Schäden untersuchen. Bei Bedarf alle Messer und Schrauben gleichzeitig austauschen, um eine Unwucht der rotierenden Teile zu vermeiden.
- d) Verwenden Sie beim Austausch nur Original Kress Messer.
- e) Verwenden Sie zum Laden des Akkus nur das vom Hersteller empfohlene Ladegerät. Eine nicht den Hinweisen entsprechende Verwendung kann zu einem Stromschlag, zur Überhitzung oder zum Auslaufen der Batterieflüssigkeit führen.
- f) Tritt Batterieflüssigkeit aus, beseitigen Sie sie mit Wasser und einem neutralen Reinigungsmittel. Kommt sie mit Augen etc. in Kontakt, suchen Sie sofort einen Arzt auf.
- g) Warten Sie den Roboter nach den Anweisungen des Herstellers.

Empfehlung

Schließen Sie die Maschine und/oder deren Peripheriegeräte nur an einen Speisestromkreis an, der über einen Fehlerstromschutzschalter (RCD) mit einem Auslösestrom von nicht mehr als 30 mA verfügt.

Restrisiken

Um Verletzungen zu vermeiden, tragen Sie beim Wechseln der Klingen Schutzhandschuhe.

Transport

Für längere Transporte legen Sie den Kress Mission™ am besten in die Originalverpackung. Für einen sicheren Transport vom oder innerhalb des Arbeitsbereichs:

- a) Drücken Sie die STOP -Taste, um den Mäher zu stoppen.
- b) Sie wählen den vierstelligen PIN aus, wenn Sie den Mäher das erste Mal benutzen.
- c) Schalten Sie den Roboter-Rasenmäher immer aus, wenn Sie diesen tragen möchten.
- d) Den Mäher an seinem Griff ganz hinten unten tragen. Halten Sie den Messerteller beim Tragen des Mähers vom Körper weg.

Anforderungen an die HF-Exposition

Um die Anforderungen an die HF-Exposition zu erfüllen, sollte während des Betriebs des Geräts ein Abstand von mindestens 200 mm zwischen diesem Gerät und Personen eingehalten werden.

Um die Konformität zu gewährleisten, wird der Betrieb bei einem Abstand unter 200mm nicht empfohlen. Die für diesen Sender verwendete Antenne darf nicht zusammen mit einer anderen Antenne oder einem anderen Sender installiert werden.

Dies ist ein Gerät der Klasse III und darf nur mit Sicherheitskleinspannung entsprechend der Kennzeichnung auf dem Gerät betrieben werden.

Wartung

- 1) **Ersetzen Sie die gleichen Teile durch qualifiziertes Servicepersonal.** Dadurch wird sichergestellt, dass das Gerät sicher aufbewahrt wird.
- 2) **Reparieren Sie keine beschädigten Batterien.** Die Batterien kann nur vom Hersteller oder dem Anbieter des autorisierten Service repariert werden.

Sicherheitshinweise bezüglich des Akkus im Werkzeug

- a) **Zellen bzw. Akku nicht zerlegen, öffnen oder zerdrücken.**
- b) **Akku nicht kurzschließen. Akkus nicht wahllos in einer Schachtel oder Schublade aufbewahren, wo sie einander kurzschließen oder durch andere leitfähige Materialien kurzgeschlossen werden könnten.** Bei Nichtverwenden des Akkus ist dieses von Metallgegenständen, wie etwa Büroklammern, Münzen, Nägeln, Schrauben oder anderen kleinen Metallgegenständen fernzuhalten, wo sich die Batterieklemmen berühren können. Das Kurzschließen der Batterieklemmen kann Verbrennungen bzw. einen Brand verursachen.
- c) **Zellen bzw. Akkus nicht Hitze oder Feuer aussetzen. Lagerung in direktem Sonnenlicht vermeiden.**
- d) **Akku nicht mechanischen Stößen aussetzen.**
- e) **Im Fall, dass Flüssigkeit aus dem Akku austritt, darf diese nicht in Kontakt mit der Haut oder den Augen kommen. Sollte dies dennoch geschehen, den betroffenen Bereich sofort mit viel Wasser spülen und einen Arzt aufsuchen.**
- f) **Beim Verschlucken einer Zelle oder eines Akkus muss sofort ein Arzt herangezogen werden.**
- g) **Akku sauber und trocken halten.**
- h) **Nur mit dem von Kress bezeichneten Ladegerät aufladen. Kein Ladegerät verwenden das nicht ausdrücklich für den Gebrauch mit dem Gerät vorgesehen ist.**
- i) **Keinen Akku verwenden der nicht für den Gebrauch mit dem Gerät vorgesehen ist.**
- j) **Akkus von Kindern fernhalten.**

- k) **Die originalen Produktunterlagen zum späteren Nachschlagen aufbewahren.**
- l) **Ordnungsgemäß entsorgen.**
- m) **Mischen Sie im Gerät keine Batterien unterschiedlicher Herstellung, Kapazität, Größe oder Art.**
- n) **Warnung! Verwenden Sie keine nicht wiederaufladbaren Batterien.**

Anforderungen an die Bedienungsanleitung für akkubetriebene Geräte

- a) Der Betrieb dieses Geräts unterliegt den folgenden zwei Bedingungen:
 - (1) Dieses Gerät darf keine schädlichen Interferenzen verursachen und
 - (2) dieses Gerät muss störsignalfest sein, einschließlich der Störungen, die einen unerwünschten Betrieb verursachen können.
- b) Achtung: Änderungen oder Modifikationen an diesem Gerät, die nicht ausdrücklich von der für die Einhaltung der Vorschriften verantwortlichen Partei genehmigt wurden, können dazu führen, dass der Benutzer die Berechtigung zum Betrieb des Geräts verliert.
- c) HINWEIS: Dieses Gerät verursacht und verwendet Hochfrequenzenergie und kann diese ausstrahlen. Falls es nicht entsprechend den Anweisungen installiert und verwendet wird, kann es störende Interferenzen beim Funkverkehr hervorrufen. Es gibt jedoch keine Garantie, dass in einer bestimmten Installation keine Störungen auftreten. Falls dieses Gerät Störungen des Radio- oder Fernsehempfangs verursacht, was durch Ein- und Ausschalten des Geräts festgestellt werden kann, sollte der Nutzer versuchen, die Störungen durch eine oder mehrere der folgenden Maßnahmen zu beheben:
 - Richten Sie die Empfangsantenne neu aus oder verlegen Sie sie.
 - Vergrößern Sie den Abstand zwischen dem Gerät und dem Empfänger.
 - Schließen Sie das Gerät an einen anderen Stromkreis an als den, an den der Empfänger angeschlossen ist.
 - Wenden Sie sich an den Händler oder einen erfahrenen und geschulten Radio/TV-Fachmann, um Hilfe zu bekommen.

Symbole



WARNUNG-Rasenmäroboter können bei unsachgemäßer Verwendung gefährlich sein. Lesen Sie die Bedienungsanleitung sorgfältig durch und verstehen Sie deren Inhalt, bevor Sie Ihren Rasenmäroboter betreiben.



WARNUNG- Halten Sie einen Sicherheitsabstand wenn der Roboter-Rasenmäher in Betrieb ist.



WARNUNG – Betätigen Sie die Deaktivierungsvorrichtung, bevor Sie am Gerät arbeiten oder die Maschine anheben.



WARNUNG – RASENMÄHROBOTER darf nicht als Transportmittel missbraucht werden.



Gerät der Klasse III



Elektroprodukte dürfen nicht mit dem normalen Haushaltsmüll entsorgt werden, sondern sollten nach Möglichkeit zu einer Recyclingstelle gebracht werden. Ihre zuständigen Behörden oder Ihr Fachhändler geben Ihnen hierzu gerne Auskunft.



Lithium-Ionen-Akku: Dieses Produkt wurde mit einem Symbol markiert, das sich auf die 'gesonderte Sammlung' aller Akkupacks und Akkus bezieht. Es wird anschließend recycelt oder demontiert, um die Beeinträchtigung der Umwelt zu verringern. Akkupacks können die Umwelt und menschliche Gesundheit beeinträchtigen, da diese schädliche Substanzen enthalten.



Nicht im Feuer entsorgen



Wenn die Batterie unsachgemäß behandelt wird, kann sie in den Wasserkreislauf gelangen, was für das Ökosystem schädlich sein kann. Entsorgen Sie Altbatterien nicht über den Hausmüll.



Waschen Sie das Gerät nicht mit einem Hochdruckreiniger.



Lesen Sie die Bedienungsanleitung

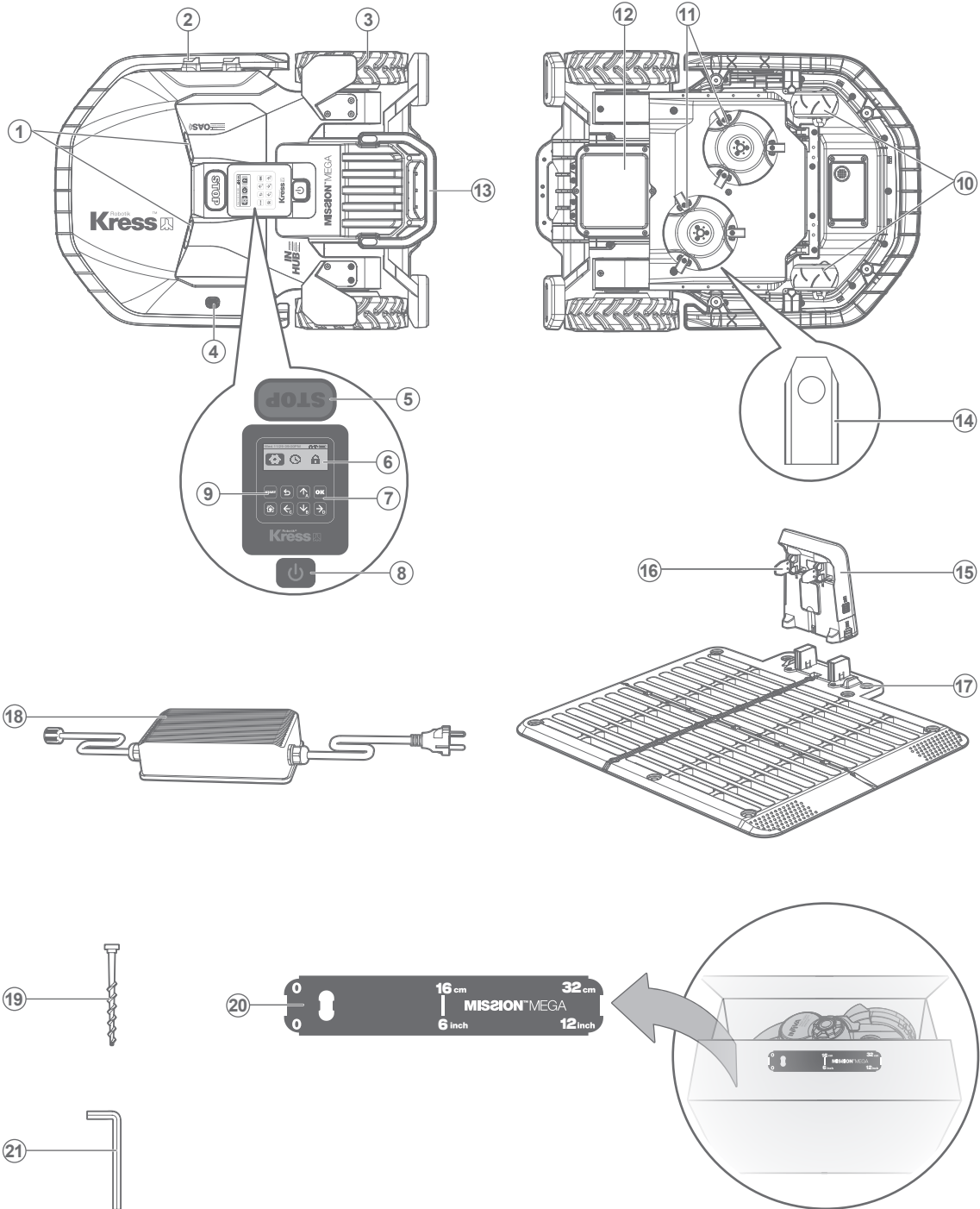


Abnehmbare Versorgungseinheit



Verbieten Sie die unbefugte Demontage der Maschine

Komponenten



- | | |
|-------------------------|-----------------------------------|
| 1. Ultraschallsensor | 12. Akku* |
| 2. Ladestreifen | 13. Griff |
| 3. Hinteres Antriebsrad | 14. Messer |
| 4. Regensensor | 15. Ladeturm |
| 5. STOP-Taste | 16. Kontakte |
| 6. Anzeige | 17. Ladestation |
| 7. Tastenfeld | 18. Netzteil |
| 8. Ein-/Ausschalter | 19. Ladestation Befestigungsnägel |
| 9. START-Taste | 20. Abstandsschablone |
| 10. Vorderrad | 21. Sechskantschlüssel |
| 11. Messerteller | |

* **Abgebildetes oder beschriebenes Zubehör gehört teilweise nicht zum Lieferumfang.**

Technische Daten Für Mäher

Typ **KR133E KR136E (100-199 - Bezeichnung der Maschine, repräsentiert den Rasenmähroboter)**

	KR133E	KR136E
Nennleistung	20V \equiv Max.*	
Leerlaufdrehzahl	2800/min	3200/min
Schneidebereich	Rec. / max. Flächenleistung: 3000 m ² / 4400 m ²	Rec. / max. Flächenleistung: 6000 m ² / 6500 m ²
Schnittbreite	35 cm	
Schnitthöhe	30-60 mm	
Höhenverstellung Schritte	5 mm	
Batterietyp	Lithium-Ionen	
Akkumodell	KA3006	KA3010
Ladezeit Ca.	46 min.	77 min.
Ladegerätmodell	KA3717 / KA3817	
Leistung des Ladegeräts	Eingang: 100-240V~50/60Hz, 230W, Ausgang: 28V, 7.0A	
Gewicht	19 kg	19.5 kg
Schutzklasse	III	
App(Wi-Fi/Bluetooth)	Y	
Maximale Neigung der Arbeitsfläche	45%	
Frequenzbänder für Bluetooth (MHz)	2400-2483.5 MHz	
Maximale Sendeleistung für Bluetooth (dBm)	8 dBm	
Frequenzbereiche für WIFI (MHz)	2400-2483.5 MHz	
Maximale Sendeleistung für WIFI (dBm)	20 dBm	
Frequenzband von Induktionsschleifensystemen	77 Hz	

Max. Hochfrequenzleistung des Induktionsschleifensystems	82 dB μ A/m
--	-----------------

* Spannung ohne Arbeitslast gemessen. Die anfängliche Akkuspannung erreicht maximal 20 Volt. Die Nennspannung liegt bei 18 Volt.

Technische Daten GeoTrace


Nennspannung	5V \pm 5%
Betriebstemperatur	-10°C ~ +72°C
Lagertemperatur	-20°C ~ +75°C

Band	Tx (MHz)	Rx (MHz)	Das Maximum (EIRP) Sendeleistung (dBm)
EGPRS 900MHZ	880~915	925~960	30
EGPRS 1800MHZ	1710~1785	1805~1880	30
NB-IOT Band3	1710~1785	1805~1880	24
NB-IOT Band8	880~915	925~960	24
NB-IOT B20	832~862	791~821	24

25

De

Informationen über lautstärke

	KR133E	KR136E
Gewichteter Schalldruck	$L_{pA} = 46.72 \text{ dB (A)}, K_{pA} = 0.39 \text{ dB(A)}$	$L_{pA} = 46.5 \text{ dB (A)}, K_{pA} = 1.75 \text{ dB(A)}$
Gewichtete Schalleistung	$L_{wA} = 57.72 \text{ dB (A)}, K_{wA} = 0.39 \text{ dB(A)}$	$L_{wA} = 57.5 \text{ dB (A)}, K_{wA} = 1.75 \text{ dB(A)}$
Tragen Sie einen Schallschutz bei einem Schalldruck über	80dB(A) 	

Eine gewisse Geräuschentwicklung der Maschine ist unvermeidlich. Die Durchführung geräuschintensiver Arbeiten benötigt eine Zulassung und muss in bestimmten Zeiten eingeschränkt werden. Halten Sie Ruhephasen ein und beschränken Sie die Arbeitsstunden auf ein Minimum. Zu Ihrem eigenen Schutz und den von Personen, die sich in der Nähe befinden, muss ein geeigneter Gehörschutz getragen werden.

Zubehörteile

Schrauben	18
Ladestation	1
Fixierungsnägel für Ladestation	8
Inbusschlüssel	1
Begrenzungskabel Abstandslehre	1
Messer	18
Akkupack (KA3006/KA3010)	1
Lader (KA3717/KA3817)	1

Wir empfehlen Ihnen, sämtliche Zubehörteile beim selben Fachhändler zu beziehen, bei dem Sie auch Ihr Elektrowerkzeug oder Gartengerät gekauft haben. Weitere Informationen finden Sie auf der Verpackung der Zubehörteile. Auch Ihr Fachhändler berät Sie gerne.

Bestimmungsgemäßer Gebrauch

Dieses Produkt ist bestimmt für das Rasenmähen im Bereich. Er ist zum häufigen Mähen bestimmt – er hält Ihren Rasen gesund und dieser wird gepflegter aussehen als je zuvor. Je nach Größe des Rasens kann der Mission™ so programmiert werden, dass er zu jeder beliebigen Zeit und mit jeder beliebigen Frequenz uneingeschränkt arbeitet. Es ist nicht zum Graben, Reinigen oder Schneeräumen konzipiert.

26

De

Wartung

Ihr Mission™ muss hin und wieder überprüft werden. Der Mission™ arbeitet hart und verdient daher von Zeit zu Zeit eine ordentliche Reinigung oder einen Austausch von Verschleißteilen. Verwenden Sie niemals Ihren Mission™, wenn der Ein/Aus Schalter defekt ist.

Schalten Sie die Maschine aus, ehe Sie jegliche Reparatur- oder Wartungsarbeiten ausführen.

In Folgenden möchten wir Ihnen erklären, wie Sie Ihren neuen Mission™ am besten an sein neues Umfeld gewöhnen und ihm die Pflege zukommen lassen, die er verdient.

1

Immer schön scharf

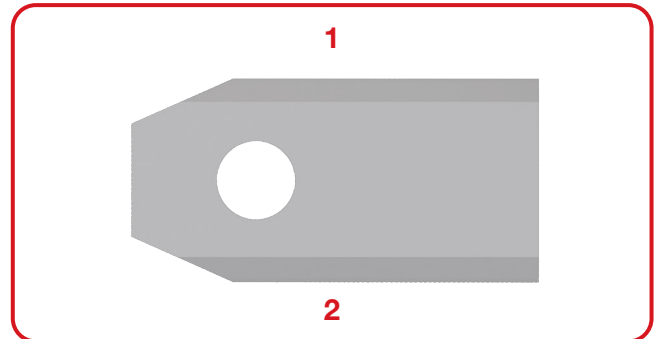


WARNUNG: Bevor Sie den Mission™ reinigen, einstellen oder die Messer austauschen, schalten Sie Ihren Mission™ AUS und ziehen Sie Schutzhandschuhe an.



WARNUNG: Beim Austausch der Messer Wechslen Sie bei einem Austausch unbedingt grundsätzlich alle Messer auf einmal. Verwenden Sie beim Fixieren der Messer stets neue Schrauben. Das ist wichtig, um den Klingenhalt sicherzustellen und die Klingendrehscheibe auszuwuchten. Falls Sie keine neuen Schrauben verwenden, kann dies zu schweren Verletzungen führen.

Der Mission™ schneidet Gras nicht wie andere Rasenmäher. Seine Messer sind an 4 Kanten rasiermesserscharf und wirbeln zum perfekten Schnitt in beide Richtungen. Jedes Messer Ihres Mission™ ist mit 4 Schneiden ausgestattet. Die rotierenden Klingen macht willkürliche Vor- und Rückwärtsbewegungen, damit 4 Seiten der Klingen genutzt werden. Und mit dem neuen Material wird die Lebensdauer jedes Schneidmessers dreimal länger sein als die anderer Marken, wenn er programmiert ist, jeden Tag zu mähen.. Schauen Sie immer nach, ob die Messer angeschlagen oder anderweitig beschädigt sind; falls ja, wechseln Sie die Messer aus. Wenn die Messer stumpf und verschlissen sind, sollten sie durch die Ersatzmesser ersetzt werden, die mit Ihrem Mission™ geliefert wurden. Ersatzmesser erhalten Sie auch beim Kress-Händler in Ihrer Nähe.



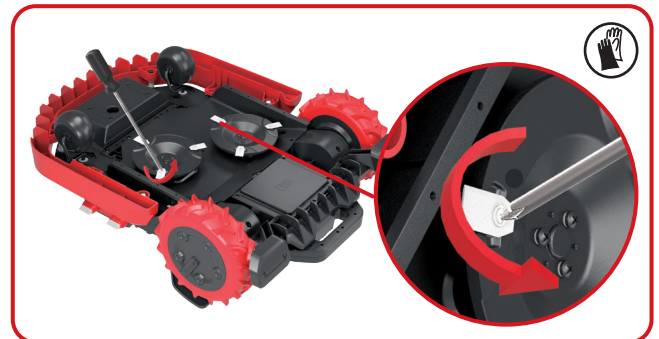
A. Messer austauschen

Normalerweise müssen die Messer Ihres Mission™ jeden Monat umgedreht und alle 2 Monate vollständig ausgetauscht werden. Tauschen Sie also unbedingt immer alle Messer auf einmal aus. Zum Austausch können Sie einen der Ersatzmessersätze und die zusätzlichen Messerschrauben verwenden, die mit Ihrem Mission™ geliefert wurden.

Vor dem Austausch der Messer schalten Sie den Mission™ unbedingt ab und ziehen Schutzhandschuhe über! Dann führen Sie diese Schritte aus:

1. Drehen Sie den Mission™ sanft auf den Rücken.
2. Entfernen Sie die Batterieabdeckung und entnehmen Sie den Akku.
3. Lösen Sie die Messerschrauben mit einem Schlitz- oder schraubendreher.
4. Schrauben Sie die neuen Messer gut fest.
5. Setzen Sie den Akku ein, und bringen Sie die Batterieabdeckung wieder an.

Wichtig: Überzeugen Sie sich nach dem Verschrauben der Messer, dass sich diese frei drehen lassen.



2

Sauber halten



WARNUNG: Bevor Sie Ihren Mission™ reinigen, schalten Sie ihn AUS. Ziehen Sie Schutzhandschuhe über, bevor Sie die Messerscheibe reinigen; nutzen Sie dazu kein fließendes Wasser.



WARNUNG! IHR Mission™ kann nur mit einem Schlauch gewaschen werden! Verwenden Sie KEINEN Hochdruckreiniger an Ihrem Mission™. Hochdruckwasser kann in die Dichtungen eindringen und elektronische und mechanische Teile beschädigen.

A. Körper reinigen

Wenn Ihre Mission™ regelmäßig gereinigt wird, ist sie haltbarer und lebt länger. Da es sich bei Ihrer Mission™ um einen Motor handelt, müssen Sie beim Reinigen vorsichtig sein. Schlauchwasserreinigung unterstützen. Verwenden Sie am besten eine mit Wasser gefüllte Sprühflasche. Verwenden Sie zum Reinigen des Körpers eine weiche Bürste oder ein sauberes Tuch und vermeiden Sie die Verwendung von Lösungsmitteln oder Polituren. Entfernen Sie zum Schluss alle angesammelten Grasabfälle und Ablagerungen.

B. Unterseite reinigen

Nicht vergessen, ganz wichtig: Schalten Sie den Mission™ ab und **ziehen Sie Schutzhandschuhe über, bevor Sie den Messerteller berühren!**

Drehen Sie zuerst Ihren Mission™ um. Nun sehen Sie den Messerteller, den umgebenden Motorgehäuserahmen sowie die Vorderräder und Antriebsräder. Reinigen Sie alles gründlich mit einer weichen Bürste oder mit einem feuchten Lappen.

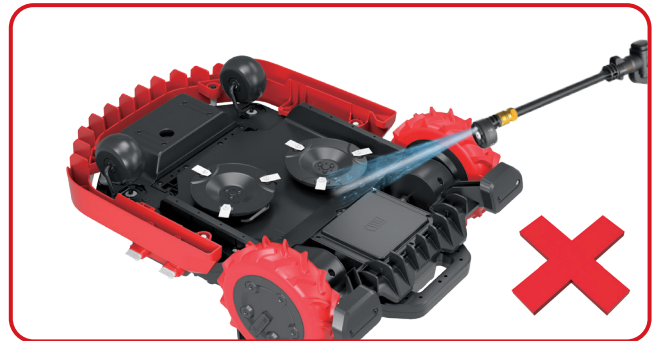
28

Unterstützung der Schlauchwasserreinigung

De

Drehen Sie das Schneidrad um sicherzustellen, dass es frei dreht. Prüfen Sie, dass sich die Klingen problemlos um die Maschine lässt sich auch mit einem sanften Wasserstrahl reinigen. Befestigungsschrauben drehen. Beseitigen Sie alle Hindernisse.

Wichtig: Entfernen Sie sämtliche (auch die kleinsten) Rückstände, damit es nicht zu Rissen in der Messerscheibe kommt. Auch der winzigste Riss kann die Mähleistung Ihres Mission™ beeinträchtigen.



C. Kontakte und Ladestreifen reinigen

Reinigen Sie die Kontakte an der Ladestation und den Ladestreifen am Mission™ mit einem Tuch. Entfernen Sie sämtliche Grasreste und sonstige Rückstände rund um die Kontakte und Ladestreifen regelmäßig, damit sich der Mission™ stets problemlos aufladen kann.

3

Akkulaufzeit und -haltbarkeit

Das Herzstück des Mission™ ist seine 20V-Lithiumbatterie. Für eine ordnungsgemäße Lagerung des Akkus ist sicherzustellen, dass er voll aufgeladen an einem, trockenen Ort (20°C ± 5°C) aufbewahrt wird.

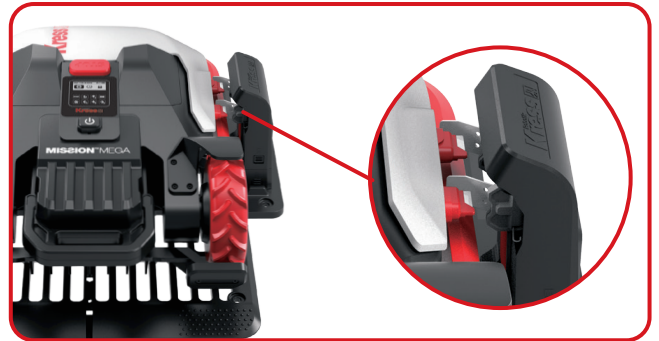
HINWEIS: Die empfohlene Betriebstemperatur des Mission™ liegt zwischen 0°C - 45°C.

Die Lebenserwartung des Mission™-Akkus hängt von unterschiedlichen Faktoren ab; beispielsweise:

- Dauer der Schönwettersaison (der „Mähseason“) an Ihrem Wohnort.
- Mission™-Arbeitsstunden pro Tag
- Art und Weise der Akkulagerung

Mission™ kann ohne das Begrenzungskabel manuell aufgeladen werden.

1. Schließen Sie die Ladestation an eine geeignete Stromversorgung an. Die grüne Lampe der Ladestation erleuchtet grün.
2. Docken Sie den Mission™ manuell an die Ladestation an, während der Mission™ ausgeschaltet ist.
3. Die grüne LED auf der Ladestation blinkt. Der Mission™ beginnt mit dem Ladevorgang.



4

Überwintern

Ihr Mission™ lebt länger und gesünder, wenn Sie ihm einen wohlverdienten Winterschlaf gönnen. Obwohl der Mission™ ein zäher Bursche ist, sollten Sie ihm im Winter einen Platz im Schuppen oder in der Garage zugestehen.

Bevor Sie Ihren Mission™ in den Winterschlaf entlassen, sollten Sie noch Folgendes erledigen:

- Reinigen Sie Ihren Mission™ gründlich.
- Laden Sie den Akku komplett auf.
- Schalten Sie das Gerät ab.

Zum Maximieren der Lebensdauer des Akkus wird empfohlen, den Akku vor dem Lagern im Winter voll aufzuladen.



WARNUNG: Schützen Sie die Unterseite des Mission™ vor Wasser. Lagern Sie den Mission™ NIEMALS draußen falsch herum.

Das Begrenzungskabel kann im Boden verbleiben; seine Enden sollten Sie jedoch vor der Witterung schützen – zum Beispiel, indem Sie ein mit Fett gefülltes Döschen darüber stülpen. Falls die Ladebasis im Winter draußen verbleibt, lassen Sie das Begrenzungskabel angeschlossen.

HINWEIS: Wenn Sie den Mission™ wieder aus seinem Winterschlaf erwecken, sorgen Sie dafür, dass die Ladestreifen und die Kontaktstreifen gründlich sauber sind; dies können Sie mit feinem Schleifpapier erledigen. Stellen Sie mit der App sicher, dass Datum und Uhrzeit korrekt sind, und schicken Sie den Mission™ zurück zu der Aufgabe, die er liebt: Mähen.

5

Akku austauschen

! **WARNUNG:** Schalten Sie das Gerät unbedingt mit der Ein-/Austaste aus, bevor Sie sich Einstellungen, Austausch oder Reparatur zuwenden! Bevor Sie die Messer auswechseln, schalten Sie Ihren Mission™ AUS und ziehen Sie Schutzhandschuhe an.

Wenn der Akku ausgetauscht werden muss, erledigen Sie dies mit den folgenden Schritten:

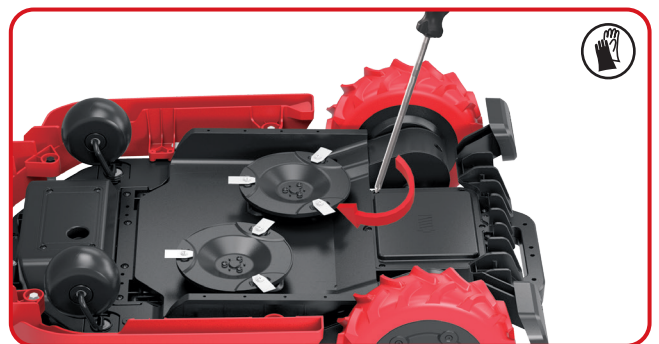
1. Drehen Sie Ihren Mission™ sanft auf den Rücken.
2. Lösen Sie die Schrauben an der Abdeckung. Entfernen Sie die Abdeckung des Batteriefachs.



3. Lösen Sie die Steckverbinder. Nehmen Sie die alte Batterie vorsichtig heraus und verbinden Sie eine neue, Original Batterie, indem Sie die Verbindungen zusammenbringen, bis diese in Position sind.



4. Platzieren Sie die Abdeckung erneut in ihre Position und ziehen Sie die Schrauben gut an.



Fehlerbehebung bei der Installation

Falls Ihr Mission™ nicht richtig arbeiten sollte, schauen Sie sich bitte die nachstehende Anleitung zur Problemlösung an.

Problem	Ursache	Abhilfe
Die LED an der Ladebasis leuchtet nicht auf.	Kein Strom.	Prüfen Sie, ob das Netzkabel ordnungsgemäß an das Ladegerät und dieses an eine passende Stromversorgung angeschlossen ist.
Die rote LED auf der Ladestation leuchtet auf.	Das Begrenzungskabel ist nicht angeschlossen.	Prüfen Sie, dass das Begrenzungskabel ordnungsgemäß an die Ladestation angeschlossen wurde. Prüfen Sie, dass es keine Brüche im Begrenzungskabel gibt, besonders an den Kabelenden.
Ihr Mission™ befindet sich innerhalb des ihm zugewiesenen Bereichs, aber das Display sagt „Outside working area (Außerhalb des Arbeitsbereichs)“ und die LED leuchtet grün.	Die Begrenzungskabelenden sind falsch angeschlossen.	Vertauschen Sie die Enden des Begrenzungskabels.
Der Mission™ kann nicht richtig an die Ladestation andocken.	Umwelteinflüsse.	Starten Sie den Mission™ nochmals
	Schlechte Verbindung durch Verschmutzung des Ladestreifens.	Reinigen Sie die Kontakte an der Ladestation und die Kontakte am Mission™.
Der Mission™ fährt außerhalb des Begrenzungskabels. Der Mission™ mäht einen Bereich außerhalb des Begrenzungskabelbereichs. Der Mission™ dreht sporadisch am Begrenzungskabel um bzw. fährt zurück.	Der Begrenzungsdraht eines anderen Mission™ oder eines anderen Marken-Rasenroboters ist zu nahe positioniert.	Stellen Sie sicher, dass der Begrenzungsdraht Ihres Mission™ mindestens 1m vom benachbarten Begrenzungsdraht entfernt ist.
	Der Begrenzungsdraht wurde mit scharfen Ecken installiert.	Überprüfen Sie den Begrenzungsdraht und stellen Sie sicher, dass die Ecken abgerundet sind.
	Bei feuchten Bedingungen kann das elektrische Signal aus dem Begrenzungskabel austreten, wenn das Kabel verbunden oder repariert wurde.	Überprüfen Sie die Verbindungspunkte des Begrenzungskabels. Isolieren Sie diese, um eine absolut wasserdichte Verbindung zu gewährleisten.
	Aufgrund einer defekten Isolierung kann das elektrische Signal aus dem Begrenzungskabel austreten.	Reparieren Sie die beschädigte Isolierung des Begrenzungsdrahts mithilfe von Verbindungen.
	Der Schneidebereich ist größer als der zulässige Schneidebereich des Mission™.	Verringern Sie den Mähbereich.
Aufgrund der hohen Geschwindigkeit beim Hinunterfahren eines Abhangs schießt der Mission™ über den Begrenzungsdraht hinaus.	Der Begrenzungsdraht befindet sich auf einem Gefälle, das 17% (10°) überschreitet.	Verlegen Sie den Begrenzungsdraht entfernt von Steigungen über 17% (10°).

Die Position von Mission™ kann in der App nicht genau angezeigt werden oder die Position kann nicht erkannt werden.	Das GPS-Signal wird durch das Wetter oder Störungen beeinflusst.	1. Überprüfen Sie und stellen Sie sicher: Mission™ wird nicht auf den Kopf gestellt oder umgedreht; Mission™ wird von einigen Metallgegenständen nicht verdeckt. 2. Bringen Sie Mission™ an einen offenen Ort, an dem ein Mobilfunksignal empfangen werden kann.
	Sie verwenden nicht die neueste Version der Mission™ App.	Bitte aktualisieren Sie die Mission™ App auf die neueste Version.
Mission™ gibt keinen Alarm aus, wenn es sich außerhalb des Geo-Zauns befindet.	Die Software von Mission™ ist nicht die neueste.	Aktualisieren Sie die Software von Mission™, bevor Sie das GeoTrace verwenden.
	Es gibt einen kleinen Toleranzbereich unmittelbar außerhalb des für das GeoTrace festgelegten Umfangs.	Bringen Sie Mission™ außerhalb des Toleranzbereichs (ca. 30 Meter vom Geo-Zaun entfernt) um zu überprüfen, ob das GeoTrace funktioniert.
	Das GeoTrace ist ausgeschaltet.	Schalten Sie Mission™ ein und laden Sie es bei Bedarf auf. Wenn es nicht aufgeladen werden muss, wird Find My Mission™-GeoTrace über den Mission™ PowerShare-Akku aufgeladen. (Das GeoTrace verfügt über eine innere Batterie, die eine Woche nach dem Ausschalten der Maschine hält.)
	Geo-Zaun ist nicht festgelegt, oder der Radius des Geo-Zauns ist nicht festgelegt.	Verwenden Sie die Mission™ App, um sie richtig einzustellen.
	Mission™ ist ausgeschaltet.	In diesem Fall wird der Alarm 10 Minuten nach dem Aufnehmen des Mission™ aus dem Geo-Zaun gesendet.
Mission™ funktioniert auch außerhalb des Geo-Zauns.	Geo-Zaun ist nicht festgelegt, oder der Radius des Geo-Zauns ist nicht festgelegt.	Verwenden Sie die Mission™ App, um sie richtig einzustellen.
	Geo-Zaun ist nicht aktiviert.	

Mission™ funktioniert normal, aber die Kommunikation zwischen Mission™ und Smartphone funktioniert nicht richtig.	Die zellulare Netzwerkabdeckung des GeoTraces ist schwach.	Überprüfen Sie, ob es ein schwaches Signal hat. Wenn ja, bewegen Sie sich in ein Gebiet mit einem guten Signal.
	Das GeoTrace ist beschädigt.	Wenden Sie sich an einen Händler und lassen Sie es ordnungsgemäß überprüfen.
	Die Software von Mission™ ist nicht die neueste.	Aktualisieren Sie die Software von Mission™.
	Die App muss aktualisiert werden.	Aktualisieren Sie Ihre App, bevor Sie das GeoTrace verwenden.
	Die SIM des GeoTraces ist nicht aktiviert.	Stellen Sie vor der ersten Verwendung sicher, dass Sie die SIM-Karte über das folgende Programm in der Mission™-App aktiviert haben.
	Das GeoTrace ist nicht gut an die Mission™ angeschlossen	Kontaktieren Sie den Händler. Überprüfen Sie mit einem Klick, ob der GeoTracestecker richtig eingesteckt ist.
	Mission™ hat keine Energie.	Überprüfen Sie, ob der Bildschirm von Mission™ beleuchtet ist. Wenn nicht, bringen Sie Mission™ zum Laden oder zum Starten eines Dringlichkeitsverfahrens zur Ladestation zurück.
	Die SIM-Abonnementgebühr ist abgelaufen.	Sobald es abgelaufen ist, muss es erneuert werden.
Mission™ kann keine Echtzeitpositionierung erzielen oder der Standort von Mission™ kann nicht in Echtzeit aktualisiert werden.	Das GeoTrace aktualisiert die Positionierung alle 10 Minuten, um Strom zu sparen. Wenn die Kapazität des Mission™ niedrig ist, verlängert sich das Zeitintervall für die Positionsaktualisierung.	Das ist normal. Es ist keine Aktion erforderlich.
	Wenn Mission™ für mehr als 24 Stunden im Geo-Zaun zur Lagerung ausgeschaltet wurde, wird das GeoTrace automatisch ohne GPS-Signal ausgeschaltet.	

HINWEIS:

1. Die Batterie des GeoTraces muss vom Kundendienst ausgetauscht werden.
2. Stellen Sie sicher, dass Mission™ während der Lagerung regelmäßig aufgeladen wird. Es wird empfohlen, das alle 6 Monate zu benutzen.
3. Das GeoTrace muss erneuert werden, sobald die SIM-Abonnementgebühr abgelaufen ist.

Umweltschutz



Elektroprodukte dürfen nicht mit dem normalen Haushaltsmüll entsorgt werden, sondern sollten nach Möglichkeit zu einer Recyclingstelle gebracht werden. Bitte erkundigen Sie sich bei der örtlichen Behörde oder beim Vertragshändler über Müllsammlung und -Entsorgung.

Konformitätserklärung

Wir,
Positec Germany GmbH
Postfach 32 02 16, 50796 Cologne, Germany

Erklären im Namen von Positec, dass das Produkt

Beschreibung **Roboter-Rasenmäher**

Typ **KR133E KR136E (100-199 - Bezeichnung der Maschine, Repräsentant der Roboter-Rasenmäher)**
(Jahr, Artikelnummer und Monat der Seriennummer sind auf der Rückseite angegeben. Die vollständige Seriennummer ist auf dem Gehäuse des Rasenmähers deutlich sichtbar aufgedruckt)
mit Batterieladegerät KA3717/KA3817 und Ladestation KA0072/KA0073

Funktion **Grasschnitt**

Den Bestimmungen der folgenden Richtlinien entspricht:

2006/42/EC, 2014/30/EU, 2014/35/EU, 2011/65/EU&(EU)2015/863, 2000/14/EC geändert durch 2005/88/EC, 2014/53/EU

2000/14/EC geändert durch 2005/88/EC
- Konformitätsbewertungsverfahren nach
- Gemessene Schalleistung
- Garantierte Schalleistung

KR133E
Annex V
57.72 dB (A)
59 dB (A)

KR136E
Annex V
57.5 dB (A)
59.3 dB (A)

Die benannte Stelle Intertek, Semko AB, NB-No. 0413 hat eine EU-Baumusterprüfung gemäß der 2014/53/EU und folgende EU-Baumusterprüfbescheinigung ausgestellt: SE-RED-2200106

GeoTrace:

Zertifizierungsstelle

Name: TIMCO ENGINEERING, Inc (notifizierte Stelle CE1177)

Anschrift: 849 NW State Road 45, Newberry, Florida 32669, USA

34

De

Normen:

Für batteriebetriebenen Roboter-Rasenmäher: EN 50636-2-107:2015+A1:2018+A2:2020 +A3:2021, EN 60335-1:2012+A11:2014+A13:2017+A1:2019+A2:2019+A14:2019+A15:2021, EN IEC 62311:2020, EN IEC 55014-1:2021, EN IEC 55014-2:2021, EN IEC 61000-3-2:2019+A1:2021, EN 61000-3-3:2013+A1:2019+A2:2021

Für induktives Schleifensystem: EN 303 447 V1.1.1

Für Ultraschallmodul: EN 55011:2016+A11:2020

Für Bluetooth & WLAN-Modul (2,4G): EN 301 489-1 V2.2.3, EN 301 489-17 V3.2.4, EN 300 328 V2.2.2

Für 4G+GPS-Modul: EN 301 489-1 V2.2.3, EN 301 489-19 V2.1.1, EN 301 489-52 V1.2.1, EN 301 511 V12.5.1, EN 301 908-1 V13.1.1, EN 301 908-13 V13.1.1, EN 303 413 V1.1.1

Für Ladegerät: EN IEC 55014-1:2021, EN IEC 55014-2:2021, EN IEC 61000-3-2:2019+A1:2021, EN 61000-3-3:2013+A1:2019+A2:2021, EN IEC 60335-2-29:2021+A1:2021, EN 60335-1:2012+A11:2014+A13:2017+A1:2019+A2:2019+A14:2019+A15:2021, EN 62233:2008

Für Lärm: EN ISO 3744:2005

Für RoHS: EN IEC 63000:2018

Zur Kompilierung der technischen Datei ermächtigte Person,

Name Marcel Filz

Address Positec Germany GmbH Postfach 32 02 16, 50796 Cologne, Germany



2023/09/19

Allen Ding

Stellvertretender Chefsingenieur, Prüfung und Zertifizierung

Positec Technology (China) Co., Ltd.

18, Dongwang Road, Suzhou Industrial

Park, Jiangsu 215123, P. R. China

Les utilisateurs peuvent consulter les instructions électroniques à l'adresse <https://www.kress.com/en/>.

Sécurité du produit

Mises en garde générales et complémentaires



ATTENTION : Lisez toutes les mises en garde et toutes les instructions. Le

non-respect des mises en garde et des instructions peut être à l'origine d'électrocutions, d'incendies et/ou de blessures graves.

Lisez attentivement le manuel d'utilisation afin d'utiliser l'appareil d'une manière sécurisée.

Gardez le mode d'emploi et les mises en garde pour pouvoir vous y référer ultérieurement.

- Cet appareil n'est pas conçu pour être utilisé par des personnes aux capacités physiques, mentales, sensorielles réduites, ou manquant d'expérience et de connaissances (y compris les enfants), sauf si une personne responsable de leur sécurité leur a donné les indications nécessaires ou les surveille pendant l'utilisation.
- Il convient de surveiller les enfants pour s'assurer qu'ils ne jouent pas avec l'appareil.
- Cet appareil contient des batteries qui peuvent être remplacées uniquement par des personnes qualifiées.
AVERTISSEMENT: Pour recharger la batterie, utilisez uniquement l'unité d'alimentation amovible avec cet appareil.

**IMPORTANT
LISEZ ATTENTIVEMENT LE MODE
D'EMPLOI AVANT D'UTILISER L'APPAREIL
CONSERVEZ-LE POUR RÉFÉRENCE
ULTÉRIEURE**

Pratiques de travail sûres Apprentissage

- Lisez attentivement le mode d'emploi. Vous devez impérativement comprendre les instructions et vous familiariser avec les contrôles et le mode d'utilisation de l'appareil.
- Ne laissez en aucun cas l'appareil à un enfant ou à une personne n'ayant pas pris connaissance du mode d'emploi. Les réglementations locales définissent parfois des limites d'âge pour l'utilisateur.

- L'utilisateur est responsable des accidents et des dommages causés à d'autres personnes ou à leurs biens.

Préparation

- Veillez à ce que le câble périphérique soit correctement installé en suivant les instructions.
- Inspectez régulièrement la zone où l'appareil doit être utilisé et enlevez toutes les pierres, tous les bâtons, câbles, os et autres objets étrangers.
- Procédez régulièrement à un examen visuel des lames, des boulons de lame et de l'unité de coupe pour vous assurer qu'ils ne sont ni usés, ni endommagés. Afin de préserver l'équilibre de la machine, changez toujours les lames et leurs boulons en même temps.
- Sur les appareils comportant plusieurs arbres, veuillez noter que la rotation d'une lame peut entraîner la rotation des autres lames.
- ATTENTION: Ne faites jamais fonctionner l'appareil si l'une de ses protections est défectueuse ou si l'un de ses dispositifs de sécurité n'est pas en place.

Utilisation

1. Généralités

- Ne faites jamais fonctionner l'appareil si l'une de ses protections est défectueuse ou si l'un de ses dispositifs de sécurité n'est pas en place (ex: les déflecteurs).
- N'approchez jamais les mains ou les pieds des parties rotatives, et ne les mettez jamais sous l'appareil. Ne vous mettez jamais en travers de l'ouverture d'évacuation.
- Ne soulevez jamais et ne portez jamais une tondeuse dont le moteur est en marche.
- Actionnez le dispositif de désactivation de l'appareil:
 - Avant de le débloquer;
 - Avant d'inspecter, de nettoyer ou de travailler sur l'appareil;
 - Après avoir heurté un objet, inspectez la machine à la recherche de dommages;
 - Si la machine commence à vibrer de façon anormale, et pour vérifier les dommages avant de la redémarrer.
- Il n'est pas permis de modifier le design d'origine du robot tondeuse. Toute modification effectuée est à vos risques et périls.
- Démarrer la tondeuse à gazon robotique conformément aux instructions. Lorsque l'appareil est sous tension, n'approchez pas vos mains et vos pieds des lames en rotation. Ne jamais mettre vos mains ou

pieds sous la tondeuse.

- g) Ne soulevez jamais la tondeuse à gazon robotisée et ne la transportez jamais lorsque l'appareil est sous tension.
- h) Ne laissez en aucun cas la tondeuse à une personne non familiarisée avec l'appareil et son mode d'utilisation.
- i) Ne posez jamais des objets sur le robot ou sur le socle de recharge.
- j) Ne faites jamais fonctionner le robot si le boîtier ou l'une des lames sont endommagés. L'appareil ne doit pas être utilisé si les lames, les vis, les écrous ou les câbles sont endommagés.
- k) Toujours éteindre la tondeuse à gazon robotique lorsque vous n'avez pas l'intention de l'utiliser. La tondeuse à gazon robotisée ne peut démarrer que lorsque l'appareil est sous tension et que le code PIN a été correctement saisi.
- l) Maintenez vos mains et pieds éloignés des lames rotatives. Ne placez jamais vos mains ou pieds à proximité ou sous le corps lorsque la tondeuse automatique est en marche.
- m) Éviter d'utiliser la machine et ses périphériques dans de mauvaises conditions météorologiques, en particulier, lorsqu'il existe un risque d'éclair.
- n) Ne pas toucher de pièces mobiles dangereuses avant que celles-ci ne s'arrêtent complètement.
- o) Pour les machines utilisées dans des zones publiques, des panneaux d'avertissement doivent être placés autour de la zone de travail de la machine. Le contenu du texte ci-dessus doit être compris:
Alerte! Tondeuse automatique! Tenir à l'écart de la machine! Attention aux enfants!

2. Mise en garde complémentaire en cas de fonctionnement automatique

- a) Ne laissez pas la machine fonctionner sans surveillance si vous savez que des personnes (notamment des enfants) ou des animaux domestiques se trouvent à proximité.

Entretien et rangement



AVERTISSEMENT! Lorsque la tondeuse est retournée, l'alimentation doit toujours être coupée. L'alimentation doit être coupée pour tous les travaux effectués sous la tondeuse, tels que le nettoyage ou le remplacement des lames.

- a) Veillez à ce que tous les écrous, vis et boulons soient bien serrés, afin de vous assurer que

l'appareil reste en bon état de marche.

- b) Inspectez le robot tondeuse régulièrement et, par sécurité, remplacez toute pièce usée ou endommagée.
- c) Assurez-vous que les lames et le disque de coupe ne sont pas endommagés. Afin d'assurer l'équilibre des pièces rotatives, changez toujours les lames et les vis en même temps.
- d) Les accessoires de coupe de rechange doivent impérativement être du même type que ceux d'origine.
- e) Rechargez toujours la batterie avec le chargeur fourni par le fabricant. Toute utilisation incorrecte peut être à l'origine d'un choc électrique, d'une surchauffe ou d'une fuite du liquide corrosif de la batterie.
- f) En cas de fuite d'électrolyte et de contact avec les yeux, rincez abondamment avec de l'eau ou un agent neutralisant et appelez les urgences.
- g) Toute réparation sur l'appareil doit s'effectuer d'une manière conforme aux instructions du fabricant.

Recommandation

Connecter uniquement la machine et/ou ses périphériques à un circuit d'alimentation protégé par un dispositif de courant résiduel (RCD) avec un courant de déclenchement ne dépassant pas 30 mA.

Risques résiduels

Pour éviter les blessures, porter des gants de protection lors du remplacement des lames.

Déplacer l'appareil

Utilisez l'emballage d'origine pour transporter le robot sur de longues distances.

Pour déplacer l'appareil de ou vers la zone de travail en toute sécurité:

- a) Appuyez sur le bouton STOP pour arrêter la tondeuse.
Vous choisissez un code PIN à quatre chiffres lorsque vous démarrez la tondeuse pour la première fois.
- b) Toujours éteindre la tondeuse à gazon robotique si lorsque vous avez l'intention de la porter.
- c) Portez la tondeuse en la tenant par la poignée située à l'arrière, en dessous. Tenez la tondeuse avec le disque de coupe du côté opposé à vous.

Exigences d'exposition FR

Pour satisfaire aux exigences d'exposition aux

radiofréquences, une distance de séparation de 200 mm ou plus doit être respectée entre cet appareil et des personnes pendant le fonctionnement de l'appareil.

Pour assurer la conformité, les opérations à une distance inférieure à cette distance ne sont pas recommandées. L'antenne utilisée pour cet émetteur ne doit pas être co-localisée avec une autre antenne ou un autre émetteur.

Il s'agit d'un appareil de classe III et il ne doit être alimenté qu'à une très basse tension de sécurité correspondant au marquage de l'appareil.

Entretien

- 1) **Faites réparer votre matériel par un professionnel en utilisant uniquement des pièces de rechange identiques.** Cela garantira le maintien de la sécurité de l'équipement.
- 2) **Ne jamais réparer une batterie endommagée.** L'entretien de la batterie ne doit être effectué que par le fabricant ou les prestataires de service agréés.

Avertissements de sécurité pour la batterie à l'intérieur de l'appareil

- a) **La batterie et les piles secondaires ne doivent pas être ouvertes, démontées ou broyées.**
- b) **La batterie ne doit pas être court-circuitée. Évitez de mettre la batterie en vrac dans une boîte ou dans un tiroir où elles risqueraient de se court-circuiter entre elles ou au contact d'autres objets métalliques.** Après usage, évitez tout contact de la batterie avec d'autres objets métalliques de petite taille (trombones, pièces, clés, clous, vis etc.) susceptibles de court-circuiter les pôles. Un court-circuit entre les pôles de la batterie peut être à l'origine de brûlures ou d'un incendie.
- c) **La batterie ne doit pas être exposée au feu et à la chaleur. Évitez de la ranger à la lumière du soleil.**
- d) **La batterie et les piles ne doivent pas être soumises à des chocs mécaniques.**
- e) **En cas de fuite des piles, évitez tout contact du liquide avec la peau et les yeux. En cas de contact, rincez abondamment la surface touchée avec de l'eau et appelez les urgences.**
- f) **En cas d'ingestion d'une pile ou d'une batterie, appelez immédiatement les urgences.**
- g) **La batterie et les piles doivent rester propres et sèches.**
- h) **N'utilisez pas d'autre chargeur que celui**

spécifié par Kress. N'utilisez pas d'autre chargeur que celui spécifiquement fourni avec l'appareil.

- i) **N'utilisez en aucun cas une batterie autre que celle prévue pour cet appareil.**
- j) **La batterie doit être tenue hors de portée des enfants.**
- k) **Gardez la documentation d'origine du produit afin de pouvoir vous y référer ultérieurement.**
- l) **Respectez les procédures de mise au rebut.**
- m) **Ne mélangez pas des cellules de différente fabrication, capacité, taille ou type dans un même appareil.**
- n) **Avertissement ! N'utilisez pas de batteries non rechargeables.**

Conditions du manuel d'utilisation pour les outils sans fil

- a) Le fonctionnement de ce type d'appareil est soumis aux deux conditions suivantes:
 - (1) Cet appareil ne doit pas provoquer d'interférences préjudiciables, et
 - (2) Il doit accepter toute interférence reçue, y compris les interférences pouvant entraîner un mauvais fonctionnement.
- b) Attention: Les changements et modifications apportés à cet appareil et non expressément autorisés par la partie responsable de la compatibilité peuvent annuler le droit de l'utilisateur à faire fonctionner l'équipement.
- c) REMARQUE: Cet équipement génère, utilise et peut dégager de l'énergie de radiofréquence et, s'il n'est pas installé et utilisé conformément aux instructions du fabricant, peut provoquer des interférences préjudiciables aux communications radio. Il n'existe toutefois aucune garantie que des interférences ne se produiront pas dans une installation particulière. Si cet équipement entraîne des interférences préjudiciables à la réception des émissions radio ou de télévision, pouvant être identifiées en mettant l'équipement hors tension puis sous tension, il est recommandé que l'utilisateur tente de résoudre ce problème au moyen d'une ou plusieurs des mesures suivantes:
 - En orientant différemment l'antenne réceptrice ou en la changeant de place.
 - En augmentant la distance séparant l'équipement du récepteur.
 - En connectant l'équipement à une prise sur un circuit différent de celui sur lequel est branché le récepteur.
 - En obtenant de l'aide auprès du revendeur ou d'un technicien radio/TV expérimenté.

Symboles



AVERTISSEMENT – ce robot tondeuse peut être dangereux s'il est utilisé de manière incorrecte. Avant d'utiliser le robot tondeuse pour la première fois, vous devez avoir lu et compris le contenu dans son intégralité.



Les batteries peuvent entrer dans le cycle de l'eau si elles sont jetées de manière inappropriée, ce qui est dangereux pour l'écosystème. Ne jetez pas les batteries utilisées avec les déchets ménagers non triés.



AVERTISSEMENT - Restez à distance de la machine pendant qu'elle fonctionne.



Ne lavez pas la machine avec un nettoyeur à haute pression.



AVERTISSEMENT – Éteignez la machine avant de la manipuler ou de la soulever.



Lire le manuel de l'opérateur



Unité d'alimentation amovible



AVERTISSEMENT – Éteignez la machine avant de la manipuler ou de la soulever.



Interdire le démontage de la machine sans autorisation



Appareil de classe III



Les déchets d'équipements électriques et électroniques ne doivent pas être déposés avec les ordures ménagères. Ils doivent être collectés pour être recyclés dans des centres spécialisés. Consultez les autorités locales ou votre revendeur pour obtenir des renseignements sur l'organisation de la collecte.

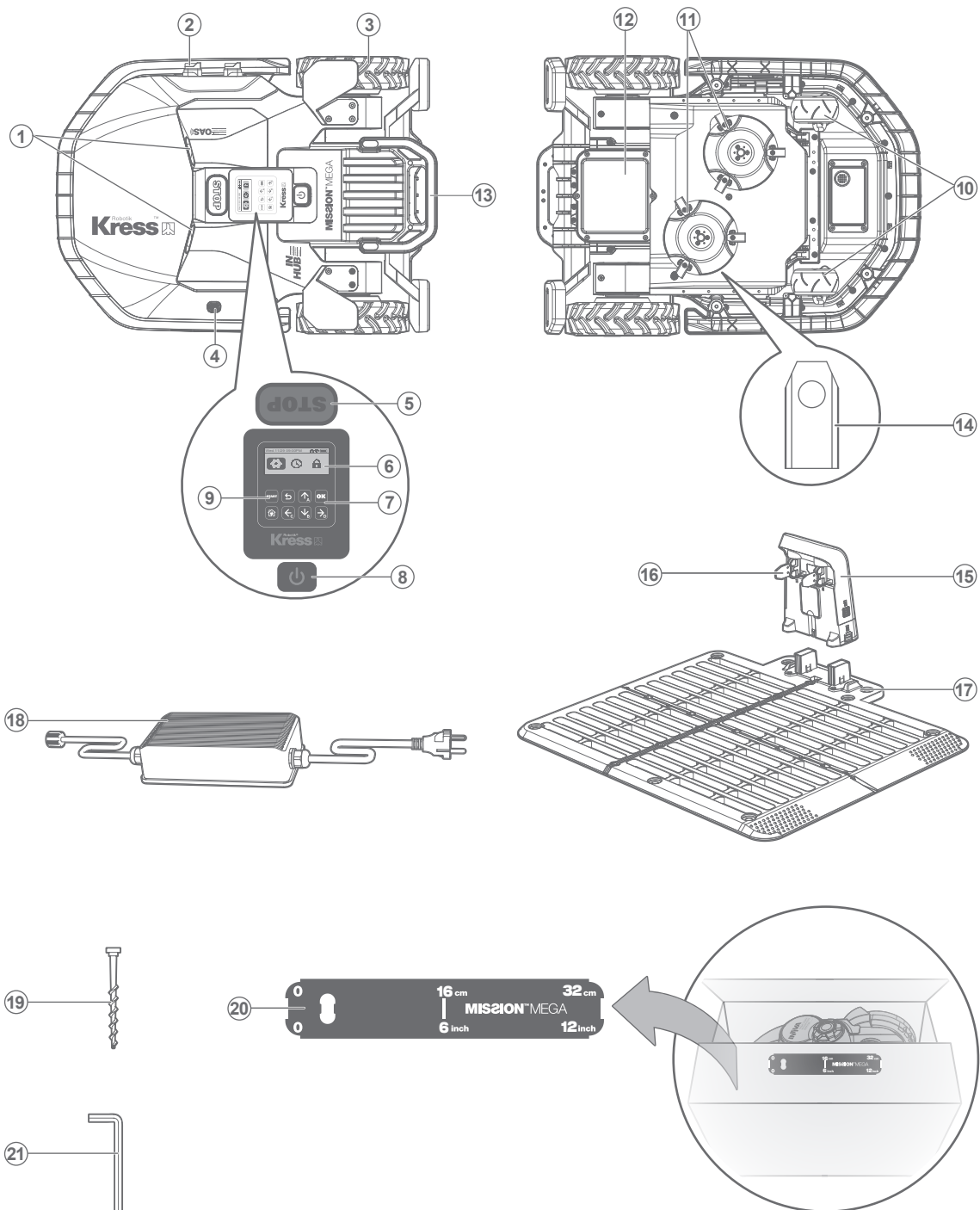


Batterie Li-Ion. Le symbole « collecte sélective » est indiqué sur le produit et concerne toutes les batteries. Les batteries seront recyclées ou éliminées afin de réduire leur impact sur l'environnement. Les batteries sont dangereuses pour l'environnement et pour la santé humaine car elles contiennent des substances dangereuses.



Ne pas jeter au feu

Liste des composants



- | | |
|--------------------------------|--|
| 1. Capteur à ultrasons | 12. Batterie* |
| 2. Bandes de charge | 13. Poignée |
| 3. Roue motrice arrière | 14. Lame coupante |
| 4. Capteur de pluie | 15. Batterie en chargement |
| 5. Bouton d'arrêt | 16. Broches de contact |
| 6. Affichage | 17. Base de chargement |
| 7. Clavier | 18. Adaptateur secteur |
| 8. Bouton Allumé/ éteint | 19. Clous de fixation de la base de charge |
| 9. Touche START | 20. Jauge de distance du fil d'antenne |
| 10. Roue avant | 21. Clé hexagonale |
| 11. Disque de rotation de lame | |

* Les accessoires reproduits ou décrits ne sont pas tous compris avec le modèle standard livré.

Données techniques pour tondeuse

Modèle **KR133E KR136E (100-199 - désignations des pièces, illustration de la Robot de fauchage à pelouse)**

	KR133E	KR136E
Tension nominale	20V \approx Max.*	
Vitesse à vide ((/min))	2800/min	3200/min
Zone de coupe (m ²)	Rec. / performance max. de la zone: 3000 m ² / 4400 m ²	Rec. / performance max. de la zone: 6000 m ² / 6500 m ²
Diamètre de coupe (cm)	35 cm	
Hauteur de coupe (mm)	30-60 mm	
Coupe des marches hautes	5 mm	
Type de batterie	Lithium	
Modèle de batterie	KA3006	KA3010
Durée de charge environ. (hr)	46 min.	77 min.
Modèle de chargeur	KA3717 / KA3817	
Valeurs nominales du chargeur	Entrée: 100-240V~50/60Hz, 230W, Sortie: 28V, 7.0A	
Poids de la machine (kg)	19 kg	19.5 kg
Classe de protection	III	
App(Wi-Fi/Bluetooth)	Y	
Pente maximale sur la surface de tonte	45%	
Bandes de fréquences pour Bluetooth (MHz)	2400-2483.5 MHz	
Puissance d'émission maximale pour Bluetooth (dBm)	8 dBm	
Bandes de fréquences pour le Wi-Fi (MHz)	2400-2483.5 MHz	
Puissance maximale transmise pour Wi-Fi (dBm)	20 dBm	

Ande de fréquence des systèmes à boucle d'induction magnétique	77 Hz
Puissance radiofréquence maximale des systèmes à boucle d'induction magnétique	82 dB μ A/m

* La tension est mesurée à vide. La tension initiale de la batterie atteint un maximum de 20 volts. La tension nominale est de 18 volts.


Données techniques pour GeoTrace

Tension nominale	5V \pm 5%
Température d'opération	-10°C ~ +72°C
Température de stockage	-20°C ~ +75°C

Band	Tx (MHz)	Rx (MHz)	Le maximum (EIRP) Puissance transmise (dBm)
EGPRS 900MHZ	880~915	925~960	30
EGPRS 1800MHZ	1710~1785	1805~1880	30
NB-IOT Band3	1710~1785	1805~1880	24
NB-IOT Band8	880~915	925~960	24
NB-IOT B20	832~862	791~821	24

41
Fr

Informations relatives au bruit

	KR133E	KR136E
Niveau de pression acoustique	$L_{pA} = 46.72$ dB (A), $K_{pA} = 0.39$ dB(A)	$L_{pA} = 46.5$ dB (A), $K_{pA} = 1.75$ dB(A)
Niveau de puissance acoustique	$L_{pA} = 57.72$ dB (A), $K_{pA} = 0.39$ dB(A)	$L_{wA} = 57.5$ dB (A), $K_{wA} = 1.75$ dB(A)
Porter des protections auditives lorsque la pression sonore est supérieure à	80dB(A) 	

Un certain niveau de bruit de la machine est inévitable. Le travail bruyant sur des routes doit être autorisé et limité à certaines périodes. Les périodes de repos doivent être préservées et les heures de travail peuvent être restreintes à un minimum. Pour sa propre protection et la protection des personnes travaillant dans les environs, le personnel doit porter une protection auditive appropriée.

Accessoires

Vis	18
Socle de recharge	1
Clous de fixation de la base de chargement	8
Clef Allen	1
Jauges de distance de câbles périphériques	1
Lames	18
Batterie (KA3006/KA3010)	1
Chargeur (KA3717/KA3817)	1

Nous recommandons d'acheter tous les accessoires dans le magasin d'acquisition de la machine. Pour plus d'informations, se référer à l'emballage des accessoires. Le personnel du magasin est également là pour vous conseiller.

Utilisation conforme

Ce produit est destiné à la tonte de pelouses. Il est conçu pour tondre fréquemment la pelouse de manière à la garder plus belle et plus saine que jamais auparavant. Selon la taille de votre pelouse, le Mission™ peut être programmé de manière à travailler à n'importe quel moment et avec n'importe quelle fréquence. Il n'est pas destiné à creuser, balayer ou nettoyer la neige.

42

Fr

Entretien

Le Mission™ doit faire l'objet d'un examen périodique. Le Mission™ travaille dur, c'est pourquoi vous devez régulièrement le nettoyer en profondeur et changer les pièces usées. N'utilisez jamais le Mission™ quand le bouton marche/arrêt est endommagé.

Éteignez la machine avant d'effectuer tout entretien ou maintenance que ce soit.

Dans cette section, nous vous expliquerons comment prendre soin de votre nouveau Mission™ de manière à ce qu'il s'adapte parfaitement à sa nouvelle demeure.

1

Affûtage

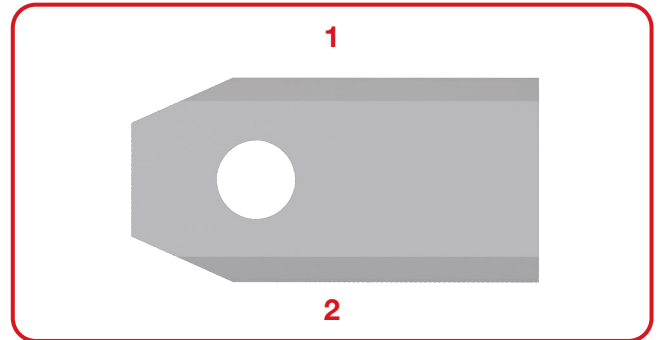


AVERTISSEMENT: Avant d'effectuer toute manipulation de nettoyage, de réglage ou de changement des lames, éteignez le Mission™ et mettez des gants de protection.



AVERTISSEMENT: Pour le remplacement des lames, assurez-vous de remplacer TOUTES les lames à la fois. Utilisez toujours des vis neuves lors du montage des lames. Il est important d'assurer la rétention de la lame et l'équilibre du disque de rotation de la lame. Le fait de ne pas utiliser de vis neuves pourrait entraîner des blessures graves.

Le Mission™ ne coupe pas l'herbe de la même manière que les autres tondeuses. Ses lames sont tranchantes comme des rasoirs sur leurs 4 bords et tournent dans les deux sens pour une efficacité de coupe maximale. Chaque lame de votre Mission™ a 4 bords coupants. Le disque de coupe tourne vers l'avant et dans le sens contraire au hasard pour utiliser les 4 bords tranchants. Ceci contribue à minimiser la fréquence de remplacement de la lame de coupe. Et avec le nouveau matériel, la durée de vie de chaque lame de coupe sera 3 fois plus longue que celle des autres marques lorsqu'elle est programmée pour tondre tous les jours.. Vérifiez chaque fois si les lames sont ébréchées ou endommagées et changez-les le cas échéant. Lorsque les lames sont usées et ne coupent plus bien, elles doivent être remplacées par les lames de rechange fourni avec votre Mission™. Des lames de rechange sont également disponibles chez votre détaillant Kress le plus proche.



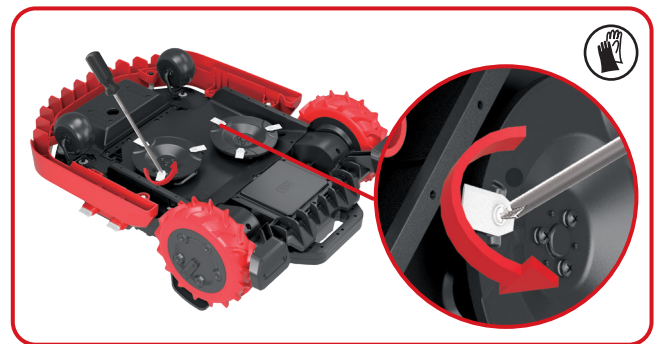
A. Changement des lames

Les lames de votre Mission™ doivent généralement être inversées chaque mois et remplacées tous les 2 mois. C'est pourquoi il est indispensable de toujours changer toutes les lames en même temps. Vous pouvez utiliser l'un des kits de rechange fournis avec le Mission™, avec les vis de montage correspondantes.

Avant de changer les lames, coupez le moteur et mettez des gants de protection. Puis procédez de la manière suivante:

1. Retournez délicatement le Mission™.
2. Retirez le couvercle de la batterie et la batterie.
3. Dévissez les vis des lames avec un tournevis.
4. Puis fixez solidement les lames neuves.
5. Remontez la batterie et son couvercle.

Important: Après avoir vissé les lames sur le disque, assurez-vous qu'elles peuvent tourner librement.



2

Nettoyage

! **AVERTISSEMENT:** Avant de le nettoyer, éteignez votre Mission™. Mettez des gants de protection avant de nettoyer le disque de coupe, et ne le lavez pas sous le robinet. the blade turning disc and do not rinse or flush with water.

! **AVERTISSEMENT !** VOTRE Mission™ ne peut être lavé qu'en utilisant un tuyau souple ! N'utilisez PAS de nettoyeur haute pression sur votre Mission™. L'eau à haute pression peut pénétrer à l'intérieur des joints et endommager les pièces électroniques et mécaniques.

A. Nettoyer le corps

Votre Mission™ aura une vie beaucoup plus heureuse et beaucoup plus longue si elle est nettoyée régulièrement. Comme votre Mission™ est une machine électrique, vous devrez faire attention lors du nettoyage. Le tuyau d'eau propre est pris en charge. Il est préférable d'utiliser un vaporisateur rempli d'eau. Lors du nettoyage du corps de la machine, utilisez une brosse douce ou un chiffon propre et évitez d'utiliser des solvants ou des produits à polir. Enfin, enlevez toute accumulation d'herbe coupée et de débris.

B. Nettoyage de la partie inférieure

Une fois encore, vous devez impérativement éteindre le Mission™ avec le bouton marche/arrêt et **mettre des gants de protection avant de toucher le disque de coupe.** Retournez tout d'abord votre Mission™ à l'envers pour en exposer sa face inférieure. Repérez le disque de coupe, le boîtier du moteur ainsi que les roues avant et les roues motrices. Nettoyez soigneusement toutes ces pièces avec un chiffon mouillé ou une brosse à poils mous.

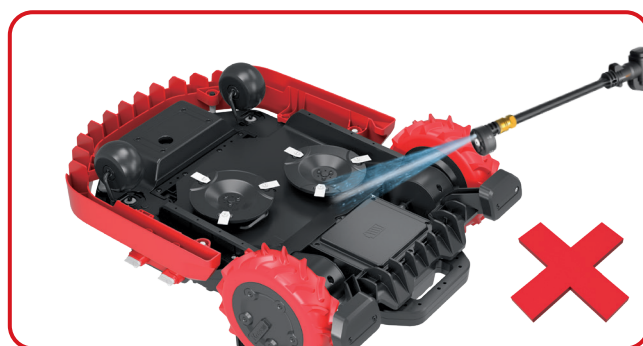
44

Le tuyau d'eau propre est pris en charge.

Fr

Faites tourner le disque de coupe pour vous assurer qu'il tourne librement. Vérifiez que les lames tournent librement autour des vis de fixation. Retirez tout obstacle.

IMPORTANT: Enlevez tous les débris accumulés susceptibles de fissurer le disque de coupe. Même la fissure la plus microscopique peut influencer le fonctionnement du Mission™ de manière importante.



C. Nettoyez les broches de contact et les bandes

Nettoyer la broche de contact située sur la base de chargement et la bande de chargement situé sur le Mission™ à l'aide d'un chiffon. Enlevez toute accumulation de débris d'herbe et de débris autour des broches de contact et des bandes de chargement de temps en temps pour vous assurer que le Mission™ se charge correctement à chaque fois.

3

Durée de vie de la batterie

Le cœur du Mission™ est une Pile de Lithium de 20V. Pour un entreposage adéquat de la batterie, assurez-vous qu'elle soit complètement chargée et conservée dans un endroit frais et sec entre (20°C ± 5°C).

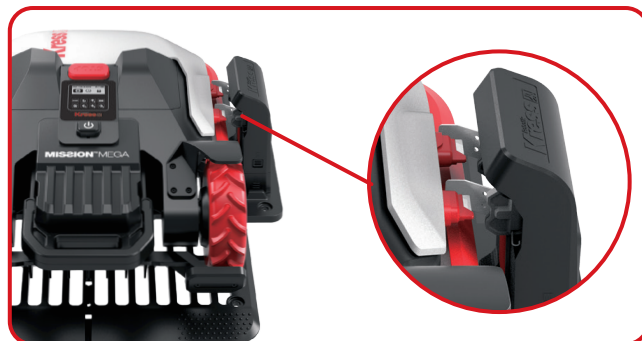
REMARQUE: La plage de température de fonctionnement pour Mission™ va de 0°C à 45°C

La durée de vie de la batterie du Mission™ dépend de plusieurs facteurs:

- La durée de la saison de tonte dans votre région
- Le nombre d'heures que le Mission™ travaille chaque jour
- L'entretien de la batterie pendant le rangement

Le Mission™ peut être chargé manuellement sans le câble périphérique.

1. Connectez la base de charge à une source d'alimentation appropriée. Le voyant vert de l'activation de chargement s'allumera.
2. Placez manuellement la Mission™ dans la base de charge alors que la Mission™ est éteinte.
3. L'indicateur lumineux vert clignote sur la base de charge, Mission™ commencera à se charger.



4

Hibernation

Votre Mission™ fonctionnera mieux et plus longtemps si vous le laissez reposer pendant l'hiver. Bien que le Mission™ soit un appareil très solide, nous vous recommandons néanmoins de le ranger dans une remise ou dans un garage pendant l'hiver. Avant de ranger le Mission™ pour l'hiver, n'oubliez pas:

- de le nettoyer soigneusement
- de recharger complètement la batterie
- de l'éteindre

Pour maximiser la vie de la batterie, il est recommandé de la charger complètement avant de l'entreposer pour l'hiver

AVERTISSEMENT: Protéger le dessous de Mission™ de l'eau. **NE JAMAIS ranger Mission™ à l'envers à l'extérieur.**

Le fil-barrière peut être laissé par terre, mais il est préférable de protéger les extrémités, par exemple en les mettant dans une boîte de conserve remplie de graisse. Si vous choisissez de laisser le socle de recharge à l'extérieur pendant l'hiver, laissez le fil-barrière relié au socle.

REMARQUE: Lorsque vous redémarrez le Mission™ après le repos hivernal, nettoyez soigneusement les bornes de recharge et les broches de contact en utilisant de préférence une toile émeri fine. Lors de l'utilisation de l'application, s'assurer que la date et l'heure sont correctes et renvoyer Mission™ faire ce pour quoi qu'il a été conçu : tondre.

5

Changement de la batterie

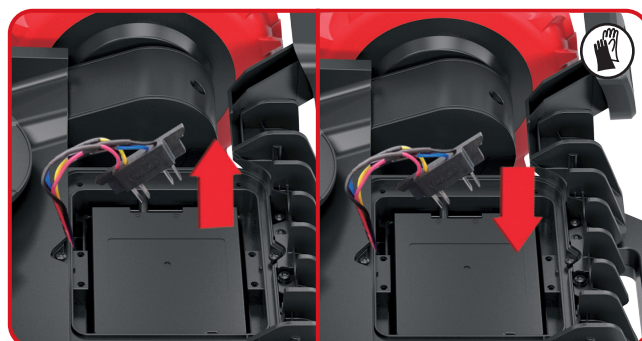
AVERTISSEMENT: Mettez le bouton marche/arrêt avant d'effectuer toute manipulation de réglage, de changement ou de réparation.
Avant de changement des lames, éteignez le Mission™ et mettez des gants de protection.

Si vous devez changer la batterie, procédez de la manière suivante.

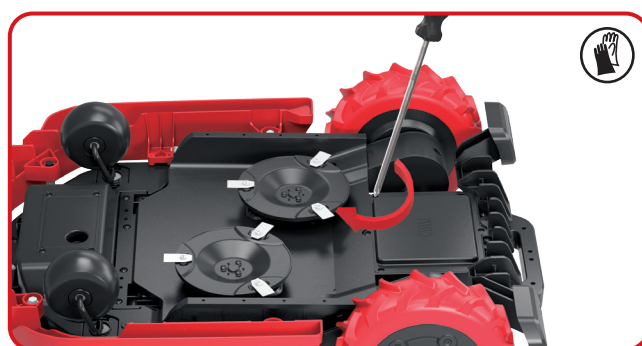
1. Retournez délicatement le Mission™.
2. Enlevez les vis de fixation de la batterie. Retirez le carter de la batterie.



3. Débranchez le connecteur. Remplacez l'ancienne batterie par la nouvelle. Branchez ensuite le connecteur.



4. Remplacez le carter dans sa position et vissez fermement les vis.



Résolution des problèmes d'installation

Si votre Mission™ ne fonctionne pas correctement, consultez le guide de dépannage ci-dessous. Si le défaut persiste, contactez le magasin d'achat.

Symptôme	Cause	Action
La LED du socle de recharge ne s'allume pas.	Pas d'alimentation	Vérifiez que le cordon d'alimentation est correctement relié au chargeur et que le chargeur est branché à une alimentation appropriée.
L'indicateur lumineux rouge de charge s'allumera.	Le fil-barrière n'est pas connecté.	Vérifiez que le câble périphérique a été correctement branché à la station de charge. Vérifiez que le câble périphérique n'est pas cassé, notamment aux extrémités du câble.
Votre Mission™ est à l'intérieur de son territoire, mais « en-dehors zone de travail » apparaît sur l'écran et le voyant LED est vert.	Les extrémités du câble périphérique ne sont pas fixées correctement.	Inversez les extrémités du câble périphérique.
Mission™ ne peut pas s'enclencher correctement dans la base de charge.	Influences environnementales.	Redémarrez la Mission™.
	Mauvais contact dû à la souillure de la borne de recharge.	Nettoyez les broches de contact du socle et les bornes de recharge de la machine à l'aide d'un chiffon.
Le Mission™ fonctionne en dehors du câble périphérique. Le Mission™ ne tond pas de zone dans une zone de câble périphérique. Le Mission™ se retourne ou tourne de façon erratique près du câble périphérique.	Le câble périphérique d'une autre Mission™ ou une tondeuse robotique d'une autre marque est trop proche.	Assurez-vous que le câble périphérique de la Mission™ est espacé d'au moins 1m du câble périphérique voisin.
	Le câble périphérique a été installé avec des angles droits.	Vérifiez que le câble périphérique a été installé avec des coins arrondis.
	Dans des conditions d'humidité, le signal électrique du câble périphérique peut fuir de l'union ou de la réparation du câble.	Vérifiez les joints du câble périphérique.
	Il existe une fuite du signal électrique du câble périphérique due à une rupture de l'isolation.	Isolez-les pour offrir un raccord complètement étanche.
	La zone de coupe est plus grande que la zone de coupe admissible pour le Mission™.	Réparez l'isolation du câble périphérique avec des connecteurs.
Le Mission™ quitte le câble périphérique en descendant une colline en raison de vitesses élevées.	Le câble périphérique est placé sur une pente plus abrupte que 17% (10°).	Repositionnez le câble périphérique loin des pentes ayant une déclivité de plus de 17% (10°).


La position de Mission™ ne peut pas être affichée précisément sur l'application, ou soit sa position ne peut pas être détectée.	Le signal GPS est affecté par la météo ou des interférences.	1. Vérifiez et assurez-vous que: Mission™ n'est pas à l'envers ni sur le côté; Mission™ n'est pas couvert par certains objets métalliques. 2. Emmenez Mission™ dans une zone dégagée où il peut obtenir un signal mobile.
	Vous n'utilisez pas la dernière version de l'application Mission™.	Veillez mettre à jour l'application Mission™ à la dernière version.
Mission™ ne déclenche pas d'alarme lorsqu'il se trouve en dehors du gardiennage virtuel.	Le logiciel de Mission™ n'est pas le dernier.	Mettez à jour le logiciel de Mission™ avant d'utiliser le GeoTrace.
	Il y a une petite zone de tolérance juste à l'extérieur du périmètre défini pour le GeoTrace.	Amenez Mission™ en dehors de la zone de tolérance (à environ 30m de la barrière Geo) pour vérifier si le GeoTrace fonctionne.
	Le GeoTrace est hors tension	Allumez le Mission™ et, si nécessaire, rechargez-le. Si ça n'a pas besoin de chargement, le GeoTrace Find My Mission™ sera rechargé par la batterie Mission™ PowerShare. (Le GeoTrace a une batterie interne qui dure une semaine après l'arrêt de la machine).
	La barrière Geo n'est pas installé, ou le rayon de la barrière Geo n'est pas installé.	Utilisez l'application Mission™ pour une configuration correcte.
	Mission™ est éteint.	Dans ce cas, l'alarme sera envoyé dans 10 mins après que Mission™ soit amené en dehors de la barrière Geo.
Mission™ fonctionne toujours quand il est en dehors du gardiennage virtuel.	La barrière Geo n'est pas installé, ou le rayon de la barrière Geo n'est pas installé.	Utilisez l'application Mission™ pour une configuration correcte.
	Geo Fence n'est pas activé.	

Mission™ fonctionne normalement mais la communication entre Mission™ et le smartphone ne fonctionne pas correctement.	La couverture du réseau cellulaire du GeoTrace est faible.	Vérifiez si le signal est faible. Si oui, déplacez-vous dans une zone avec un bon signal.
	Le GeoTrace est endommagé.	Contactez un revendeur et faites-le vérifier correctement.
	Le logiciel de Mission™ n'est pas le dernier.	Mettez à jour le logiciel de Mission™.
	L'application doit être mise à jour.	Mettez à jour votre application avant d'utiliser le GeoTrace.
	La carte SIM du GeoTrace n'est pas activée.	Avant la première utilisation, assurez-vous d'avoir activé la carte SIM en suivant la procédure décrite dans l'application Mission™.
	Le GeoTrace n'est pas bien connecté à Mission™	Contactez le revendeur. Vérifiez que le connecteur de GeoTrace est correctement inséré en un clic.
	Mission™ n'a aucun pouvoir.	Vérifiez si l'écran de Mission™ est allumé. Sinon, renvoyez Mission™ à la station de recharge pour le chargement ou démarrez une procédure d'urgence pour le charger.
	Les frais d'abonnement SIM ont expiré.	En cas d'expiration, il doit être renouvelé.
Mission™ est incapable d'obtenir un positionnement en temps réel ou la localisation de Mission™ ne peut pas être mise à jour en temps réel.	Le GeoTrace est conçu pour mettre à jour le positionnement toutes les 10 minutes pour une économie de puissance. Lorsque Mission™ a une faible puissance, le temps d'intervalle de la mise à jour du positionnement sera plus long.	Cela est normal. Aucune action est nécessaire.
	Si Mission™ a été éteint pendant plus de 24 heures dans la clôture Geo pour le stockage, le GeoTrace est automatiquement mis hors tension sans signal GPS.	

REMARQUE:

1. La batterie du GeoTrace doit être remplacée par l'agent de service.
2. Assurez-vous que Mission™ est chargé régulièrement pendant le stockage. Une fois par tous les 6 mois est recommandé.
3. Le GeoTrace doit être renouvelé une fois que les frais d'abonnement SIM expirés.

Protection de l'environnement

 Les déchets d'équipements électriques et électroniques ne doivent pas être déposés avec les ordures ménagères. Ils doivent être collectés pour être recyclés dans des centres spécialisés. Consultez les autorités locales ou votre revendeur pour obtenir des renseignements sur l'organisation de la collecte.

Déclaration de conformité

Nous,
Positec Germany GmbH
Postfach 32 02 16, 50796 Cologne, Germany

Positec déclare que le produit,
Description **Robot de fauchage à pelouse**
Modèle **KR133E KR136E (100-199 - désignations des pièces, illustration de la Robot de fauchage à pelouse) (L'année, la référence de l'article et le mois du numéro de série sont placés au dos. Le numéro de série complet est clairement indiqué sur le boîtier de la tondeuse à gazon) avec chargeur de batterie KA3717/KA3817 et station de recharge KA0072/KA0073**
Fonction **tondeuse à gazon**

Est conforme aux directives suivantes,
2006/42/EC, 2014/30/EU, 2014/35/EU, 2011/65/EU&(EU)2015/863, 2000/14/EC amendée par 2005/88/EC, 2014/53/EU

2000/14/EC amendée par 2005/88/EC

- Procédure d'évaluation de la conformité conformément à
- Niveau de pression acoustique
- Niveau d'intensité acoustique

KR133E
Annex V
57.72 dB (A)
59 dB (A)

KR136E
Annex V
57.5 dB (A)
59.3 dB (A)

L'organisme notifié Intertek, Semko AB, NB-No. 0413 a effectué un examen UE de type selon la Directive 2014/53/UE et a délivré l'attestation d'examen UE de type suivante : SE-RED-2200106

GeoTrace:

Notification réalisée par
Nom: TIMCO ENGINEERING, Inc (Organisme notifié CE1177)
Address: 849 NW State Road 45, Newberry, Florida 32669, USA

50

Fr

Et conforme aux normes,

Pour tondeuse à gazon: EN 50636-2-107:2015+A1:2018+A2:2020+A3:2021, EN 60335-1:2012+A11:2014+A13:2017+A1:2019+A2:2019+A14:2019+A15:2021, EN IEC 62311:2020, EN IEC 55014-1:2021, EN IEC 55014-2:2021, EN IEC 61000-3-2:2019+A1:2021, EN 61000-3-3:2013+A1:2019+A2:2021

Pour le système de boucle à induction: EN 303 447 V1.1.1

Pour le module à ultrasons: EN 55011:2016+A11:2020

Pour le module Bluetooth et WIFI (2.4G): EN 301 489-1 V2.2.3, EN 301 489-17 V3.2.4, EN 300 328 V2.2.2

Pour le module 4G+GPS: EN 301 489-1 V2.2.3, EN 301 489-19 V2.1.1, EN 301 489-52 V1.2.1, EN 301 511 V12.5.1, EN 301 908-1 V13.1.1, EN 301 908-13 V13.1.1, EN 303 413 V1.1.1

Pour le chargeur: EN IEC 55014-1:2021, EN IEC 55014-2:2021, EN IEC 61000-3-2:2019+A1:2021, EN 61000-3-3:2013+A1:2019+A2:2021, EN IEC 60335-2-29:2021+A1:2021, EN 60335-1:2012+A11:2014+A13:2017+A1:2019+A2:2019+A14:2019+A15:2021, EN 62233:2008

Pour le bruit: EN ISO 3744:2005

Pour le RoHS: EN IEC 63000:2018

La personne autorisée à compiler le dossier technique,

Nom **Marcel Filz**

Adresse **Positec Germany GmbH Postfach 32 02 16, 50796 Cologne, Germany**



2023/09/19

Allen Ding

Ingénieur en chef adjoint, Essais & Certification

Positec Technology (China) Co., Ltd.

18, Dongwang Road, Suzhou Industrial

Park, Jiangsu 215123, P. R. China

Gli utenti possono consultare le istruzioni in formato digitale sul sito <https://www.kress.com/en/>.

Sicurezza del prodotto

Avvisi generali per la sicurezza degli utensili a motore



AVVERTENZA: È assolutamente necessario leggere attentamente tutte le istruzioni. Eventuali errori nell'adempimento delle istruzioni qui di seguito riportate potranno causare scosse elettriche, incendi e/o lesioni gravi.

Leggere accuratamente queste istruzioni per usare la macchina in sicurezza. Conservare tutti gli avvisi e le istruzioni per poterle consultare quando necessario.

- Questo dispositivo non è inteso per l'uso da parte di persone (inclusi i bambini) con capacità fisiche, sensorie o mentali ridotte o con scarsa esperienza e conoscenza del prodotto, a meno che non sia utilizzato sotto la supervisione da parte di persone responsabili per la loro sicurezza.
- I bambini devono essere controllati per garantire che non giochino con il dispositivo.
- La batteria di questo dispositivo può essere sostituita solo da personale qualificato. **AVVERTENZA:** Per caricare la batteria, utilizzare solo l'alimentatore rimovibile fornito con il dispositivo.

IMPORTANTE LEGGERE ATTENTAMENTE PRIMA DELL'USO CONSERVARE PER RIFERIMENTO FUTURO

Procedure per un uso sicuro Addestramento

- Leggere con attenzione le istruzioni. Acquisire familiarità con i comandi e il corretto funzionamento dell'apparecchio.
- Non permettere mai a bambini o a persone sprovviste delle necessarie competenze di utilizzare l'attrezzo. L'età minima di utilizzo dello stesso può variare a seconda delle diverse normative locali.
- Ricordare che l'operatore o l'utente sono responsabili di incidenti o rischi che dovessero verificarsi ai danni di terzi o delle proprietà.

Operazioni preliminari

- Accertarsi che il filo perimetrale sia installato correttamente, in base alle istruzioni.
- Ispezionare con attenzione l'area in cui si deve utilizzare il robot tosaerba e togliere tutti gli oggetti che potrebbero essere lanciati dal robot tosaerba.
- Prima dell'uso, verificare visivamente che le lame, i rispettivi bulloni e il gruppo di taglio non siano usurati o danneggiati. In tal caso, sostituire le lame o i bulloni in blocco per mantenere il bilanciamento.
- Su macchine con più lame, prestare attenzione perché ruotando una lama si provoca la rotazione dell'altra lama.
- AVVERTENZA!** Non utilizzare mai il robot tosaerba se le protezioni o i ripari sono danneggiati o senza i gli appositi apparati di sicurezza.

Funzionamento

1. Generali


- Non utilizzare mai il robot tosaerba se le protezioni o i ripari sono danneggiati o senza i gli appositi apparati di sicurezza, come i deflettori e di raccolta erba.
- Non avvicinare mani o piedi accanto o sotto le parti rotanti. Nel caso di falciatrici rotative, mantenere costantemente libere le aperture di scarico.
- Non raccogliere, né trasportare il robot tosaerba quando è in funzione.
- Spegnere il MissionTMNANO:
 - Prima di eliminare un ostacolo;
 - Prima di controllare, pulire o effettuare lavori sul robot tosaerba;
 - Dopo aver urtato un oggetto estraneo, ispezionare la macchina per verificare che non vi siano danni;
 - Se la macchina inizia a vibrare in modo anomalo, verificare che non vi siano danni prima di riavviarla.
- Non è consentito modificare la versione originale del robot tosaerba. Il produttore declina ogni responsabilità per eventuali modifiche non autorizzate.
- Avviare il robot tosaerba, come descritto nelle istruzioni. Quando l'apparecchio è acceso, tenere mani e piedi lontani dalle lame rotanti. Non infilare mai le mani o i piedi sotto al tosaerba.
- Non sollevare mai il tosaerba robotizzato, né trasportarlo quando è acceso.
- Non consentire a persone che non conoscono il funzionamento e il comportamento del robot tosaerba di

- utilizzarlo.
- i) Non sistemare oggetti sopra al robot tosaerba o alla base di ricarica.
 - j) Non utilizzare il robot tosaerba se il disco lame o la scocca presentano difetti. Non utilizzarlo nemmeno se presenta lame, viti, dadi o cavi difettosi.
 - k) Spegnerne sempre il robot tosaerba quando non si ha intenzione di utilizzarlo. Il tosaerba robotizzato può avviarsi solo quando l'alimentazione è accesa ed è stato inserito il codice PIN corretto.
 - l) Tenere mani e piedi lontani dalle lame rotanti. Non mettere mai le mani o i piedi vicino o sotto il corpo quando il robot tosaerba è in funzione.
 - m) Evitare di utilizzare la macchina e i suoi accessori in condizioni meteo avverse, specialmente in caso di rischio di caduta di fulmini.
 - n) Non toccare parti mobili pericolose prima che si siano completamente arrestate.
 - o) Per le macchine utilizzate in aree pubbliche, i segnali di avvertimento devono essere collocati attorno all'area di lavoro della macchina. Mostrano la sostanza del seguente testo:
Attenzione! Tosaerba automatico! Stare lontano dalla macchina! Supervisionare i bambini!

2. Ulteriori informazioni per quando l'apparecchiatura funziona in modalità automatica

- a) Non usare il robot tosaerba in presenza di altre persone, in particolar modo di bambini o di animali domestici.

Manutenzione e conservazione

 **AVVERTENZA! Quando il tosaerba viene capovolto, l'alimentazione deve essere sempre spenta. L'alimentazione deve essere disattivata durante tutti i lavori sul telaio inferiore del tosaerba, come la pulizia o la sostituzione delle lame.**

- a) Ai fini della sicurezza delle operazioni, accertarsi che tutti i dadi, i bulloni e le viti del robot tosaerba siano saldamente avvitati.
- b) Controllare il robot tosaerba ogni settimana e sostituire le eventuali parti danneggiate o usurate.
- c) Controllare in particolare che le lame e il disco lame siano integri. All'occorrenza, sostituire tutte le lame e le viti contemporaneamente in modo che le parti rotanti siano bilanciate.

- d) Assicurarsi di utilizzare solo ricambi originali.
- e) Assicurarsi che le batterie siano caricate utilizzando il caricabatteria corretto consigliato dal costruttore. L'uso non corretto potrebbe causare folgorazioni, surriscaldamento o perdite di liquidi corrosivi dalla batteria.
- f) Nel caso di perdite di elettroliti, lavare con acqua/un agente neutralizzante, chiedere l'aiuto di un medico nel caso vengano a contatto con gli occhi, ecc;
- g) Le manutenzione del robot tosaerba deve essere eseguita seguendo le istruzioni del costruttore.

Suggerimento

Collegare la macchina e/o i suoi accessori solo a un circuito di alimentazione protetto da un dispositivo di corrente residua (RCD) con corrente di intervento non superiore a 30 mA.

Rischi residui

Per evitare infortuni, indossare guanti produttivi quando si sostituiscono le lame.

Trasferimento

Per i trasporti più lunghi, si raccomanda di riporre il robot tosaerba nell'imballaggio originale. Per un trasferimento sicuro dall'area di lavoro o al suo interno:

- a) fermare il tagliaerba premendo il tasto STOP; Si sceglie il PIN a quattro cifre quando si avvia il tagliaerba per la prima volta.
- b) spegnere sempre il robot tosaerba se si ha intenzione di trasportarlo;
- c) afferrare il robot tosaerba per l'impugnatura presente sul fondo, nella parte posteriore. Trasportare il robot tosaerba con il disco lame lontano dal corpo.

Requisiti di esposizione RF

Per soddisfare i requisiti relativi all'esposizione RF, è necessario mantenere una distanza di separazione di almeno 200 mm tra questo dispositivo e le persone durante il funzionamento del dispositivo.

Per garantire la conformità, non è consigliabile eseguire operazioni a distanze più ravvicinate. L'antenna utilizzata per questo trasmettitore non deve essere collocata in congiunzione con altre antenne o trasmettitori.

Si tratta di un apparecchio di classe III e deve essere alimentato solo a bassissima tensione di sicurezza corrispondente alla marcatura sull'apparecchio.

Manutenzione

- 1) **Riparare l'apparecchiatura da un tecnico qualificato e utilizzare soltanto parti identiche di ricambio.** Ciò garantirà di mantenere la sicurezza dell'apparecchiatura.
- 2) **Non riparare mai la batteria danneggiata.** La batteria deve essere riparata solo dal produttore o dai fornitori di servizi autorizzati.

Avvertenze di sicurezza per il pacco batteria all'interno dell'elettroutensile

- a) **Non smontare, aprire o strappare le celle secondarie o il pacco batteria.**
- b) **Non mettere in corto circuito il pacco batteria. Non conservare il pacco batteria disordinatamente in una scatola o in un cassetto in cui potrebbe essere cortocircuitato da altri oggetti metallici.**
Quando il pacco batteria non è in uso, tenerlo lontano da altri oggetti metallici come graffette, monete, chiavi, chiodi, viti e altri piccoli oggetti metallici, perché potrebbe crearsi un collegamento tra i due terminali. Collegare i terminali della batteria potrebbe causare incendi o ustioni.
- c) **Non esporre il pacco batteria a calore o fuoco. Evitare di conservarlo alla luce diretta del sole.**
- d) **Non sottoporre il pacco batteria a scosse meccaniche.**
- e) **In caso di perdite da una cellula, evitare che il liquido entri in contatto con la pelle o gli occhi. In caso di contatto, lavare l'area interessata con abbondante acqua e consultare un medico.**
- f) **Se si ingerisce una cella o un pacco batteria, consultare immediatamente un medico.**
- g) **Tenere le celle e il pacco batteria puliti e asciutti.**
- h) **Ricaricare solo con la base di ricarica fornita da Kress. Non utilizzare caricabatterie diversi da quelli forniti per l'uso specifico con l'apparecchiatura.**
- i) **Non utilizzare un pacco batteria non progettato per questo prodotto.**
- j) **Tenere il pacco batteria fuori dalla portata dei bambini.**
- k) **Conservare i documenti originali del prodotto per riferimenti futuri.**
- l) **Smaltire adeguatamente.**
- m) **Non mescolare celle di diverse produzione, capacità, dimensione o tipo all'interno di un dispositivo.**
- n) **Avvertenza! Non utilizzare batterie non ricaricabili.**

Requisiti del manuale d'uso per il prodotto wireless

- a) Il funzionamento di questo dispositivo è soggetto alla due seguenti condizioni:
 - (1) Questo dispositivo non deve causare interferenze pericolose, e
 - (2) questo dispositivo deve accettare qualsiasi interferenza ricevuta, incluse quelle che potrebbero causare un funzionamento indesiderato.
- b) **Attenzione:** Cambiamenti o modifiche a questa unità non espressamente approvate dai responsabili in materia di conformità potrebbero invalidare il diritto dell'utente ad utilizzare l'apparecchiatura.
- c) **NOTA:** Questa apparecchiatura genera, utilizza e può irradiare energia a radiofrequenza e, se non installata e utilizzata in conformità alle istruzioni, può causare interferenze dannose alla comunicazione radio. Tuttavia, non vi è alcuna garanzia che non si verifichino interferenze in una installazione specifica. Se questo dispositivo causa interferenze dannose alla ricezione radio o televisiva, che possono essere individuate spegnendo e riaccendendo il dispositivo, l'utente è incoraggiato a cercare di correggere l'interferenza eseguendo una o più delle seguenti misure:
 - Riorientare o spostare l'antenna ricevente.
 - Accrescere il divario tra l'apparecchiatura e il ricevitore.
 - Collegare l'apparecchiatura ad una presa su un circuito diverso da quello al quale è collegato il ricevitore.
 - Consultare il rivenditore o un tecnico radiotelevisivo esperto.

SIMBOLI



AVVERTENZA – In caso di uso improprio, il robot tosaerba può essere pericoloso. Leggere attentamente le istruzioni per l'uso e comprenderne il significato prima di utilizzare il robot tosaerba.



AVVERTENZA - Tenere gli astanti a distanza di sicurezza.



AVVERTENZA –Spegnere la macchina prima di sottoporla a manutenzione o di sollevarla.



AVVERTENZA – Non salire sopra il robot tosaerba.



Dispositivo di Classe III



I prodotti elettrici non possono essere gettati tra i rifiuti domestici. L'apparecchio da rottamare deve essere portato al centro di riciclaggio per un corretto trattamento. Controllare con le autorità locali o con il rivenditore per localizzare il centro di riciclaggio più vicino.



Li-Ion



Batteria agli ioni di litio. Questo prodotto è stato contrassegnato con un simbolo relativo alla "raccolta differenziata" per tutti i pacchi batteria. Sarà pertanto riciclato o smontato al fine di ridurre l'impatto ambientale. I pacchi batteria possono essere nocivi per l'ambiente e per la salute delle persone, in quanto possono contenere sostanze pericolose.



Non bruciare



Se le batterie non sono disposte in modo appropriato, potrebbero entrare nel ciclo dell'acqua, il che può essere un pericolo per l'ecosistema. Non disporre le batterie usate come rifiuti urbani non differenziati.



Non lavare il robot tosaerba con apparecchi ad alta pressione.



Leggere il manuale di istruzioni

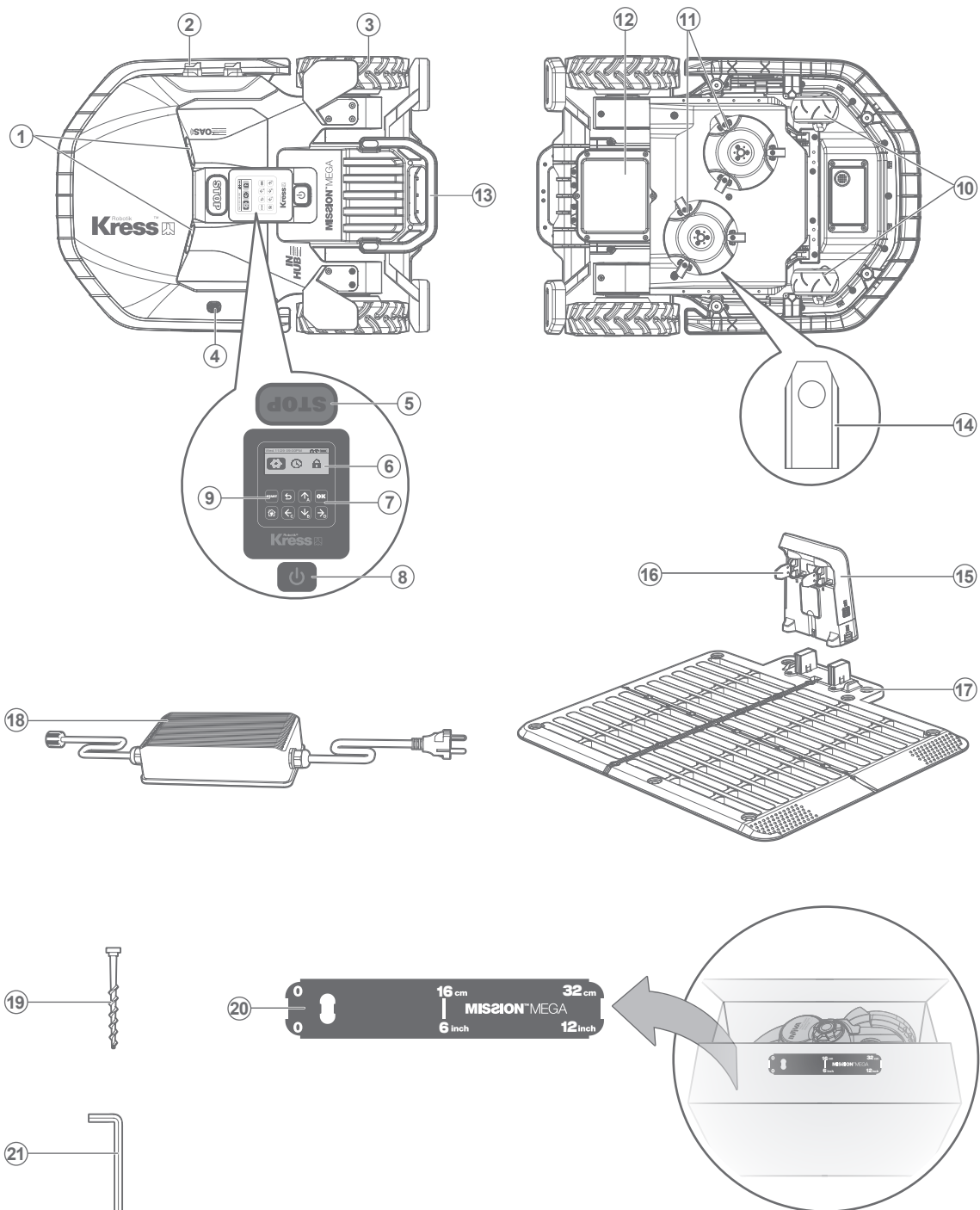


Unità di alimentazione rimovibile



Proibire di smontare la macchina senza autorizzazione

Componenti del robot tosaerba



- | | |
|-----------------------------------|--|
| 1. Sensore ultrasonico | 12. Pacco batteria* |
| 2. Strisce di ricarica | 13. Maniglia |
| 3. Ruota motrice posteriore | 14. Lama da taglio |
| 4. Pioggia Sensore | 15. Pila di ricarica |
| 5. Pulsante STOP | 16. Contatta Pins |
| 6. Schermo | 17. Base di ricarica |
| 7. Tastiera | 18. Adattatore di alimentazione |
| 8. Interruttore acceso / spento | 19. Chiodi di fissaggio della base di ricarica |
| 9. Tasto START | 20. Misuratore della distanza del filo perimetrale |
| 10. Ruota anteriore | 21. Chiave a brugola |
| 11. Disco di rotazione della lama | |

* Accessori illustrati o descritti non fanno necessariamente parte del volume di consegna.

Dati tecnici

Codice **KR133E KR136E (100-199 - Designazione del macchinario, rappresentativo della Robot tosaerba)**

	KR133E	KR136E
Potenza nominale	20V \equiv Max.*	
Velocità a vuoto nominale	2800/min	3200/min
Superficie di taglio	Rec. / massimo prestazioni: 3000 m ² / 4400 m ²	Rec. / massimo prestazioni: 6000 m ² / 6500 m ²
Diametro di taglio	35 cm	
Altezza di taglio	30-60 mm	
Altezza di taglio	5 mm	
Tipo di batteria	Litio	
Modello batteria	KA3006	KA3010
Tempo di ricarica circa.	46 min.	77 min.
Modello caricatore	KA3717 / KA3817	
Potenza caricabatteria	Ingresso: 100-240V~50/60Hz, 230W, Uscita: 28V, 7.0A	
Peso Macchina	19 kg	19.5 kg
Classe protezione	III	
App(Wi-Fi/Bluetooth)	Y	
Pendenza massima all'interno della superficie di lavoro	45%	
Banda di frequenza per Bluetooth (MHz)	2400-2483.5 MHz	
Potenza Massima Trasmessa per Bluetooth (dBm)	8 dBm	
Bande di frequenza per WI-FI (MHz)	2400-2483.5 MHz	

Potenza massima trasmessa per WI-FI (dBm)	20 dBm
Banda di frequenza dei sistemi a circuito induttivo	77 Hz
Massima potenza di radiofrequenza dei sistemi a circuito induttivo	82 dB μ A/m

* Tensione misurata senza carico di lavoro. La tensione iniziale della batteria raggiunge un massimo di 20 Volt. La tensione nominale è di 18 Volt.

Dati tecnici per GeoTrace

Tensione nominale	5V \pm 5%
Temperatura di esercizio	-10°C ~ +72°C
Temperatura di conservazione	-20°C ~ +75°C

Banda	Tx (MHz)	Rx (MHz)	Il massimo (EIRP) Potenza Trasmessa (dBm)
EGPRS 900MHZ	880~915	925~960	30
EGPRS 1800MHZ	1710~1785	1805~1880	30
NB-IOT Band3	1710~1785	1805~1880	24
NB-IOT Band8	880~915	925~960	24
NB-IOT B20	832~862	791~821	24

Dati relativi al rumore

	KR133E	KR136E
Pressione acustica ponderata	$L_{pA} = 46.72 \text{ dB (A)}, K_{pA} = 0.39 \text{ dB(A)}$	$L_{pA} = 46.5 \text{ dB (A)}, K_{pA} = 1.75 \text{ dB(A)}$
Potenza acustica ponderata	$L_{wA} = 57.72 \text{ dB (A)}, K_{wA} = 0.39 \text{ dB(A)}$	$L_{wA} = 57.5 \text{ dB (A)}, K_{wA} = 1.75 \text{ dB(A)}$
Indossare protezione per le orecchie quando la pressione acustica è superiore a		80dB(A) 

Un certo livello di rumore prodotto dalla macchina è inevitabile. Per eseguire lavori rumorosi è necessario essere autorizzati e farlo solo in determinati momenti. Per rispettare i periodi di riposo potrebbe essere necessario ridurre al minimo le ore di lavoro. Per proteggere il proprio udito e quello delle persone che lavorano nelle vicinanze, indossare un dispositivo di protezione acustica adeguato.

Accessori

Viti	18
Base di ricarica	1
Chiodi di ancoraggio della base di ricarica	8
Chiave a brugola	1
Distanziatori del filo perimetrale	1
Lame	18
Batteria(KA3006/KA3010)	1
Caricabatteria (KA3717/KA3817)	1

Si raccomanda di acquistare tutti gli accessori nello stesso negozio in cui è stato acquistato l'attrezzo. Fare riferimento alla confezione dell'accessorio per altri dettagli. Il personale del negozio può aiutarvi e consigliarvi.

Uso conforme alle norme

Questo prodotto è stato progettato per tosare l'erba di prati. È progettato per falciare spesso, mantenendo il prato più vigoroso e bello che mai. In base alle dimensioni del prato, Mission™ può essere programmato per funzionare in qualsiasi orario e con qualsiasi frequenza. Non è concepito per scavare, spazzare o sgombrare la neve.

Manutenzione

58

Controllare periodicamente Mission™. Mission™ lavora sodo e dopo un certo periodo di tempo ha bisogno di una buona pulizia e di sostituire le sue parti, le quali potrebbero usurarsi. Non utilizzare il Mission™ se l'interruttore di accensione/spegnimento è difettoso.

Prima di qualsiasi intervento di assistenza o manutenzione spegnere il robot tosaerba.

Nella seguente documentazione desideriamo mostrare come lasciare adattare il nuovo Mission™ alla sua nuova casa offrendogli la migliore assistenza possibile.

1

Mantenere affilate le lame

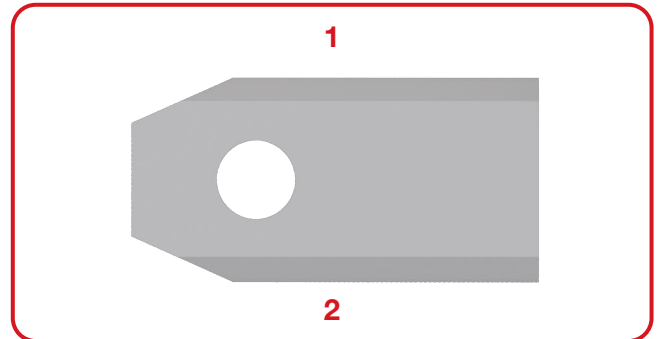


AVVERTENZA: prima di pulire, regolare o sostituire le lame, spegnere Mission™ e indossare dei guanti di protezione.



AVVERTENZA: assicurarsi di sostituire TUTTE le lame ogni volta. Usare sempre viti nuove quando si sistemano le lame. Questa precauzione è importante per assicurare il trattenimento delle lame e il bilanciamento del disco lame rotante. Il mancato utilizzo di viti nuove può provocare serie lesioni.

Mission™ non taglia l'erba come altri tosaerba. Le sue lame sono affilatissime su tutti i 4 lati e ruotano in entrambe le direzioni raggiungendo la massima capacità di taglio. Ogni lama del Mission™ ha 4 estremità taglienti. Il disco lame ruoterà in avanti o all'indietro in modo casuale per usare 4le estremità taglienti. Ciò contribuisce a ridurre al minimo la frequenza di sostituzione della lama di taglio. E con il nuovo materiale, la durata di ogni lama di taglio sarà 3 volte più lunga di quella di altre marche quando la lama è programmata per falciare ogni giorno... Verificare sempre se le lame sono scheggiate o danneggiate e sostituirle, se necessario. Quando le lame sono smussate e usurate devono essere sostituite con le lame di ricambio fornite con Mission™. Le lame di ricambio sono anche disponibili presso il rivenditore Kress più vicino.



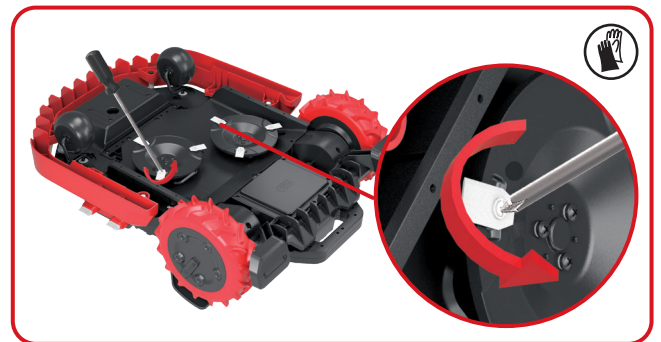
A. Sostituire le lame

Generalmente le lame di Mission™ devono essere invertite ogni mese e sostituite ogni 2 mesi. Pertanto, quando si sostituiscono la lame, assicurarsi di sostituirle tutte contemporaneamente. È possibile sostituirle con uno dei kit di lame di ricambio e le viti delle lame supplementari in dotazione con Mission™.

Prima di tentare di sostituire le lame di Mission™, spegnere il tosaerba e indossare guanti protettivi. Quindi attenersi alle seguenti procedure:

1. Capovolgere delicatamente Mission™.
2. Rimuovere il coperchio della batteria e rimuovere la batteria.
3. Svitare le viti delle lame con un cacciavite a taglio.
4. Avvitare saldamente le nuove lame.
5. Risistemare la batteria e il coperchio della batteria.

Importante: una volta avvitate le lame sul disco lamee, assicurarsi che routino liberamente.



2

Pulizia

AVVERTENZA: prima di eseguire la pulizia, spegnere Mission™. Indossare guanti protettivi prima di pulire il disco lame e non utilizzare acqua corrente.

AVVERTIMENTO! Si può lavare il tuo Mission™ solo con un tubo flessibile! NON utilizzare l'idropulitrice ad alta pressione su Mission™. L'acqua ad alta pressione può penetrare nelle guarnizioni e danneggiare le parti elettroniche e meccaniche.

A. Pulizia del corpo

Se la tua Mission™ viene pulita regolarmente, sarà più resistente e vivrà più a lungo. Poiché Mission™ è un apparecchio elettrico, devi fare attenzione quando lo pulisci. Puoi usare la canna dell'acqua. È meglio usare un flacone spray pieno d'acqua. Quando si pulisce il corpo, utilizzare una spazzola morbida o un panno pulito ed evitare di utilizzare solventi o lucidanti. Infine, rimuovere tutti i residui di erba e detriti accumulati.

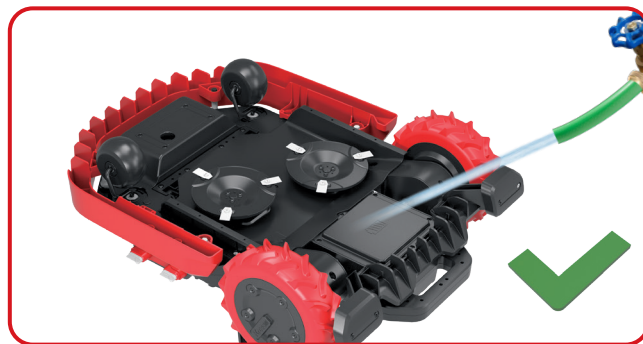
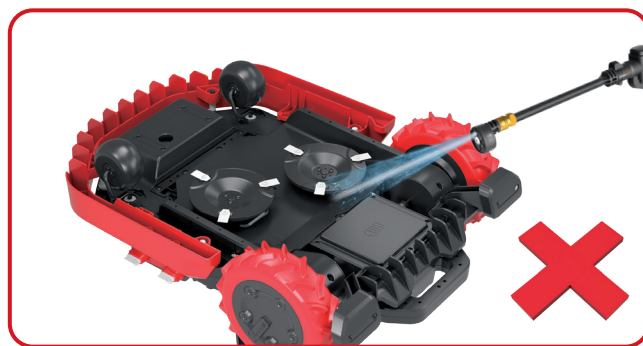
B. Pulizia della scocca

Anche in questo caso, è importante spegnere Mission™ e **indossare guanti protettivi prima di toccare il disco lama.**

Prima capovolgere Mission™ per esporre la parte inferiore. Qui si può notare il disco lame, il telaio scatolato motore circostante e le ruote anteriori e motrici. Pulire tutto accuratamente con una spazzola morbida o un panno umido. Puoi usare la canna dell'acqua.

Ruotare il disco lame per assicurarsi che ruoti liberamente. Controllare che le lame girino liberamente attorno alle viti di fissaggio. Rimuovere qualsiasi ostacolo.

IMPORTANTE: rimuovere i detriti depositatisi in modo che non causino crepe nel disco lame. Anche la più piccola crepa può ridurre la potenza di taglio di Mission™.



C. Pulizia dei pin di contatto e delle strisce di ricarica

Pulire con un panno i pin di contatto situati sulla base di ricarica e le strisce di ricarica situate su Mission™. Rimuovere periodicamente tutto l'accumulo di erba tagliata e di detriti intorno ai pin di contatto e alle strisce di ricarica per garantire ogni volta il corretto caricamento di Mission™.

3

Durata della batteria

Il cuore di Mission™ è costituito da una batteria al litio a 20V. Per riporre la batteria in modo corretto, assicurarsi che sia completamente carica e riporta in un luogo asciutto tra (20°C ± 5°C).

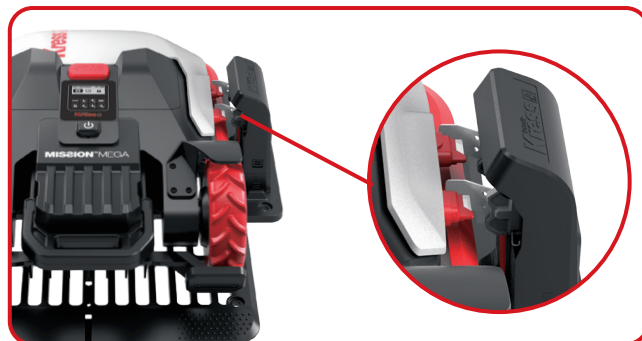
NOTA: La temperatura di esercizio raccomandata per Mission™ è di 0°C - 45°C.

La vita utile della batteria di Mission™ dipende da vari fattori, tra cui:

- la durata della stagione di taglio nella propria regione geografica;
- la quantità di ore in cui Mission™ esegue il taglio giornaliero;
- la cura della batteria quando viene conservata.

Mission™ si può caricare manualmente senza cavo perimetrale

1. Connettere la base di ricarica a una fonte di alimentazione adatta. La spia verde sulla base di ricarica si illuminerà.
2. Mentre Mission™ è spento, agganciarlo manualmente alla base di ricarica.
3. La luce verde lampeggia sulla base di ricarica. Mission™ comincerà la ricarica.



4

Rimessaggio invernale

Mission™ dura più a lungo e conserva le prestazioni ottimali se viene riposto al coperto. Perciò, sebbene sia resistente, si consiglia di riporre Mission™ nella rimessa o nel garage durante l'inverno.

Prima di riporre al coperto Mission™, assicurarsi di:

- pulire accuratamente Mission™;
- caricare completamente la batteria;
- spegnere il tosaerba.

Per massimizzare la durata della batteria si raccomanda di caricarla completamente prima di riporre l'attrezzo per l'inverno.

! **AVVERTENZA: Proteggere la parte inferiore di Mission™ dall'acqua. Non riporre MAI Mission™ all'aperto sottosopra.**

Il filo perimetrale può essere lasciato nel terreno, anche se le sue estremità devono essere protette, ad esempio collocandole in una lattina di grasso. Se la base di ricarica viene lasciata fuori durante l'inverno, lasciare il filo perimetrale collegato.

NOTA: Quando si riattiva Mission™ dal rimessaggio invernale, assicurarsi che le strisce di ricarica e i pin di contatto siano pulite. È meglio utilizzare carta vetrata fine. Utilizzando l'App assicurarsi che la data e l'ora siano corrette e rimandare Mission™ a fare ciò che ama: tagliare l'erba.

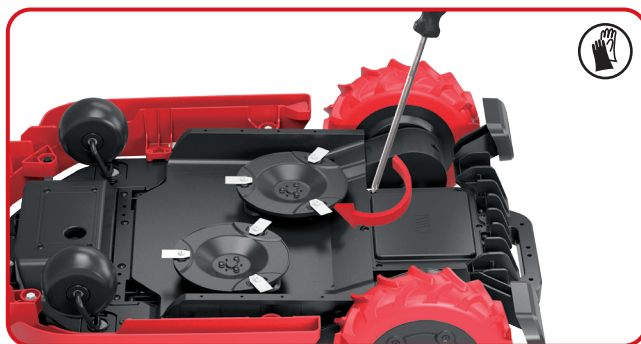
5

Sostituzione della batteria

AVVERTENZA: premere il tasto ON/OFF su OFF prima di effettuare qualsiasi regolazione, sostituzione o riparazione.
Prima sostituire le lame, spegnere Mission™ e indossare dei guanti di protezione.

Per sostituire la batteria, attenersi alle seguenti procedure:

1. Capovolgere delicatamente Mission™.
2. Rimuovere le viti sulla batteria. Rimuovere il coperchio della batteria.
3. Scollegare il connettore. Sostituire la vecchia batteria con quella nuova. Quindi collegare il connettore.
4. Rimontare il coperchio e stringere saldamente le viti.



Risoluzione dei problemi di installazione

Se Mission™ non funziona correttamente, attenersi alla guida alla risoluzione dei problemi di seguito. Se il problema persiste, contattare il rivenditore.

Sintomo	Causa	Azione
Il LED della base di ricarica non si accende.	Non vi è alimentazione.	Verificare che il cavo di alimentazione sia collegato correttamente al caricabatterie e che il caricabatteria sia collegato a una fonte di alimentazione idonea.
L'indicatore luminoso rosso della base di ricarica si illumina.	Il filo perimetrale non è collegato.	Verificare che il filo perimetrale sia collegato correttamente alla base di ricarica. Controllare che il filo perimetrale non presenti rotture, specialmente alle estremità.
Il Mission™ si trova all'interno del proprio territorio di lavoro, ma sul display compare il messaggio "outside working area" (Fuori dall'area di lavoro) e il LED è verde.	Le estremità del filo perimetrale non sono collegate correttamente ai morsetti.	Invertire il collegamento delle estremità del filo perimetrale.
Mission™ non può agganciarsi correttamente alla base di ricarica.	Influenze da parte dell'ambiente.	Riattivare Mission™.
	Collegamento scadente causato dalla contaminazione delle strisce di ricarica.	Pulire i pin di contatto della base di ricarica e le strisce di ricarica della macchina con un panno.
Mission™ si muove fuori dal filo perimetrale. Il Mission™ non taglia l'erba in un'area all'interno della zona perimetrale. Il Mission™ fa retromarcia o ruota in modo erratico vicino al filo perimetrale.	Il cavo perimetrale di un altro Mission™ o di un robot tosaerba di altra marca è posizionato troppo nelle vicinanze	Assicurarsi che il Cavo Perimetrale Mission™ sia posizionato ad una distanza di almeno 1m rispetto al cavo perimetrale limitrofo.
	Il cavo perimetrale è stato installato con angoli acuti.	Controllare che gli angoli del cavo siano morbidi.
	In condizioni di umidità, il segnale elettrico del filo perimetrale potrebbe interrompersi nei punti di giunzione o di riparazione.	Controllare i punti di giunzione del filo perimetrale. Isolarli per ottenere una connessione completamente impermeabile.
	Si è verificata una perdita di segnale dovuta a un isolamento danneggiato.	Riparare l'isolamento danneggiato del filo perimetrale con dei connettori.
	L'area di taglio è più ampia dell'area consentita per il Mission™.	Ridurre la superficie di taglio.
Il Mission™ esce dal cavo perimetrale a causa dell'alta velocità se si trova in discesa.	Il cavo di perimetrale si trova su un pendio superiore al 17% (10°).	Riposizionare il cavo perimetrale lontano da pendenze superiori al 17% (10°).

Non si trova precisamente la posizione di Mission™ sull'app o non si trova la sua posizione.	Il segnale GPS è influenzato dal tempo o da interferenze.	1. Controlla e assicurati che Mission™ non sia capovolto o su un lato; che non ci siano oggetti metallici sopra Mission™. 2. Porta Mission™ a un'area aperta dove si può ottenere un segnale mobile.
	Non'è l'ultima versione dell'app Mission™.	Aggiorna l'app Mission™ all'ultima versione.
Mission™ non emette alcun allarme quando si trova al di fuori dalla recinzione Geo.	Il software di Mission™ non è dell'ultima versione.	Aggiornare il software di Mission™ prima di utilizzare il GeoTrace.
	C'è una piccola area di tolleranza immediatamente fuori dal perimetro impostato per il GeoTrace.	Porta Mission™ al di fuori dell'area di tolleranza (a circa 30 m dalla Geo fence) per verificare se il GeoTrace funzioni.
	Il GeoTrace è spento.	Accendi Mission™ e, se necessario ricaricalo. Se è necessario ricaricarlo, il GeoTrace Find My Mission™ verrà ricaricato dalla batteria Mission™ PowerShare. (Il GeoTrace ha una batteria interna che dura una settimana dopo che la macchina è spenta).
	Non'è impostato.	Utilizza l'app Mission™ per impostarla correttamente.
	E' spento Mission™.	In questo caso, l'allarme verrà attivato 10 minuti dopo che Mission™ viene portato fuori dalla Geo fence.
Mission™ funziona ancora quando si trova fuori dalla recinzione Geo.	Geo Fence non è impostato, o raggio di Geo Fence non è impostato.	Utilizza l'app Mission™ per impostarla correttamente.
	Geo Fence è disabilitato.	

Mission™ funziona normalmente ma la comunicazione tra Mission™ e lo smartphone non funziona correttamente.	La copertura della rete cellulare del GeoTrace è debole.	Controlla se il segnale è debole. Se sì, spostarlo in un'area con un buon segnale.
	Il GeoTrace è danneggiato.	Contattare il rivenditore e controllarlo in modo corretto.
	Il software di Mission™ non è dell'ultima versione.	Aggiornare il software di Mission™.
	Aggiornare l'App.	Aggiornare l'App prima di utilizzare il GeoTrace.
	La SIM del GeoTrace non è attivata.	Prima del primo utilizzo, assicura di aver attivato la SIM seguendo la procedura nell'app Mission™.
	Il GeoTrace non è ben connesso a Mission™	Contatta il rivenditore. Verifica che il connettore del GeoTrace sia inserito correttamente con un clic.
	Mission™ non ha la potenza.	Controlla se lo schermo di Mission™ è illuminato. Se no, posiziona Mission™ al supporto di ricarica per la ricarica o accendi la procedura di emergenza per caricarla.
L'abbonamento della SIM è scaduto.	Una volta scaduto, deve essere rinnovato.	
Mission™ non è in grado di raggiungere il posizionamento o la posizione di Mission™ non può essere aggiornata in tempo reale.	Il GeoTrace è progettato per aggiornare il posizionamento ogni 10 minuti per risparmiare energia. Quando Mission™ ha una potenza bassa, l'intervallo di tempo dell'aggiornamento di posizionamento sarà più lungo.	E'normale. Non bisogna fare alcuna azione.
	Se il Mission™ è stato spento per più di 24 ore all'interno della GeoFence, il GeoTrace si spegne automaticamente senza segnale GPS.	

NOTA:

1. La batteria del GeoTrace deve essere sostituita dal servizio di assistenza.
2. Assicurati che il Mission™ venga regolarmente caricato durante lo stoccaggio, almeno una volta ogni sei mesi.
3. Il GeoTrace deve essere rinnovato se l'abbonamento della SIM è scaduta.

Tutela ambientale



I prodotti elettrici non possono essere gettati tra i rifiuti domestici. L'apparecchio da rottamare deve essere portato al centro di riciclaggio per un corretto trattamento. Controllare con le autorità locali o con il rivenditore per localizzare il centro di riciclaggio più vicino.

Dichiarazione di conformità

Noi,
Positec Germany GmbH
Postfach 32 02 16, 50796 Cologne, Germany

A nome di Positec si dichiara che il prodotto,

Descrizione **Robot tosaerba**

Codice **KR133E KR136E (100-199 - Designazione del macchinario, rappresentativo della Robot tosaerba) (Anno, codice articolo e mese del numero di serie sono riportati sull'ultima pagina. Il numero di serie completo è chiaramente riportato sull'involucro del tosaerba) con caricabatterie KA3717/KA3817 e base di ricarica KA0072/KA0073**

Funzione **Falciatura prati**

È conforme alle seguenti direttive,

2006/42/EC, 2014/30/EU, 2014/35/EU, 2011/65/EU&(EU)2015/863, 2000/14/EC modificata dalla 2005/88/EC, 2014/53/EU

2000/14/EC modificata dalla 2005/88/EC

- Procedura di conformità come da

- Potenza acustica pesata

- Massima potenza di rumore garantita

KR133E

Annex V

57.72 dB (A)

59 dB (A)

KR136E

Annex V

57.5 dB (A)

59.3 dB (A)

L'organismo notificato Intertek, Semko AB, NB-No. 0413 ha eseguito un esame per la conformità alla direttiva europea 2014/53/EU e ha rilasciato la seguente certificazione valida per l'UE: SE-RED-2200106

GeoTrace:

L'organismo competente

Nome: TIMCO ENGINEERING, Inc(Certificazione N. : CE1177)

Indirizzo: 849 NW State Road 45, Newberry, Florida 32669, USA

66

Conforme a,

Per il tosaerba: EN 50636-2-107:2015+A1:2018+A2:2020+A3:2021, EN 60335-1:2012+A11:2014+A13:2017+A1:2019+A2:2019+A14:2019+A15:2021, EN IEC 62311:2020, EN IEC 55014-1:2021, EN IEC 55014-2:2021, EN IEC 61000-3-2:2019+A1:2021, EN 61000-3-3:2013+A1:2019+A2:2021

Per il sistema del ciclo di induzione: EN 303 447 V1.1.1

Per il modulo a ultrasuoni: EN 55011:2016+A11:2020

Per il modulo Bluetooth e WIFI (2.4G): EN 301 489-1 V2.2.3, EN 301 489-17 V3.2.4, EN 300 328 V2.2.2

Per il modulo 4G+GPS: EN 301 489-1 V2.2.3, EN 301 489-19 V2.1.1, EN 301 489-52 V1.2.1, EN 301 511 V12.5.1, EN 301 908-1 V13.1.1, EN 301 908-13 V13.1.1, EN 303 413 V1.1.1

Per il caricabatterie: EN IEC 55014-1:2021, EN IEC 55014-2:2021, EN IEC 61000-3-2:2019+A1:2021, EN 61000-3-3:2013+A1:2019+A2:2021, EN IEC 60335-2-29:2021+A1:2021, EN 60335-1:2012+A11:2014+A13:2017+A1:2019+A2:2019+A14:2019+A15:2021, EN 62233:2008

Per il rumore: EN ISO 3744:2005

Per il RoHS: EN IEC 63000:2018

Il responsabile autorizzato alla compilazione della documentazione tecnica,

Nome **Marcel Filz**

Indirizzo **Positec Germany GmbH Postfach 32 02 16, 50796 Cologne, Germany**



2023/09/19

Allen Ding

Vice capo ingegnere, testing e certificazione

Positec Technology (China) Co., Ltd.

18, Dongwang Road, Suzhou Industrial

Park, Jiangsu 215123, P. R. China

Los usuarios pueden consultar las instrucciones electrónicas en <https://www.kress.com/en/>.

Seguridad del producto

Instrucciones generales y adicionales de seguridad



ADVERTENCIA: Lea todas las advertencias e instrucciones de seguridad. El incumplimiento de las advertencias e instrucciones puede provocar una descarga eléctrica, incendio y/o lesiones graves.

Lea atentamente las instrucciones para un correcto funcionamiento de la máquina. Guarde todas las advertencias e instrucciones como referencia para el futuro.

- Este aparato no se ha diseñado para ser utilizado por personas (incluidos niños) con una incapacidad física, sensorial o mental reducida, o falta de experiencia y conocimiento, a menos que una persona responsable de su seguridad les autorice a ello o les proporcione la formación necesaria para usar el aparato.
- No se debe permitir que los niños jueguen con este aparato.
- Este aparato contiene baterías que solo son reemplazables por personas expertas. **ADVERTENCIA:** Para recargar la batería, utilice únicamente la unidad de alimentación desmontable proporcionada con este aparato.

IMPORTANTE **LEA ATENTAMENTE ANTES DE USAR** **GUARDE COMO REFERENCIA PARA EL FUTURO**

Prácticas para un correcto funcionamiento **Formación**

- a) Lea las instrucciones con atención. Asegúrese que ha entendido las instrucciones y se ha familiarizado con los controles y el uso apropiado del aparato;
- b) No permita que el aparato sea usado por niños o por personas que desconocen las instrucciones. La normativa local puede restringir la edad del operador;

- c) El operador o usuario es responsable de los accidentes o peligros que se produzcan a otras personas o propiedades.

Preparación

- a) Asegúrese de que la instalación del cable perimetral es correcta y se ha hecho según las instrucciones.
- b) Revise periódicamente el área donde el aparato se va a utilizar y elimine todas las piedras, palos, cables, huesos y otros objetos extraños.
- c) Periódicamente realice una inspección visual para comprobar que las cuchillas, los pernos de las cuchillas y el montaje del equipo de corte no estén desgastados o dañados. Cambie el juego completo de cuchillas y pernos para conservar el equilibrio.
- d) Tenga cuidado con los equipos que presentan un sistema multiteje ya que la rotación de una cuchilla puede hacer girar otras cuchillas.
- e) ¡ADVERTENCIA! El robot cortacésped no debe utilizarse sin el protector.

Funcionamiento

1. Aspectos generales

- a) Nunca haga funcionar el aparato con los protectores defectuosos o sin los dispositivos de seguridad, por ejemplo, los deflectores, en su sitio;
- b) No ponga las manos ni los pies cerca o debajo de las partes giratorias. Manténgase alejado de la apertura de descarga en todo momento;
- c) Nunca levante o mueva el aparato con el motor en marcha;
- d) Accionar el dispositivo de desconexión del aparato:
 - Antes de despejar un obstáculo;
 - Antes de inspeccionar, limpiar o trabajar con el equipo;
 - Tras golpear un objeto extraño para inspeccionar si la máquina tiene daños;
 - Si la máquina empieza a vibrar anormalmente, para comprobar si hay daños antes de volver a arrancar.
- e) No se permite modificar el diseño original del robot cortacésped. Todas las modificaciones se hacen bajo su propio riesgo.
- f) Ponga en marcha el robot cortacésped según las instrucciones. Cuando se encienda la alimentación, hay que asegurarse de que manos y pies estén alejados de las cuchillas rotatorias. Nunca ponga los pies o las manos debajo del cortacésped.

- g) Nunca elevar el robot cortacésped ni transportarlo si está encendido.
- h) No permita que el robot cortacésped sea usado por personas que desconocen su funcionamiento.
- i) No ponga nada encima del robot cortacésped o el cargador.
- j) No permita que se use el robot cortacésped con una cuchilla de corte o mecanismo defectuoso. Tampoco se debe utilizar con cuchillas, tornillos, tuercas o cables defectuosos.
- k) Apague el robot cortacésped siempre que no tenga intención de utilizarlo. El robot cortacésped únicamente se puede poner en marcha si está encendido y se ha introducido el código PIN correcto.
- l) Mantenga las manos y los pies alejados de las cuchillas en movimiento. No coloque nunca las manos o los pies cerca o debajo del cuerpo del robot cortacésped cuando esté en funcionamiento.
- m) El robot y sus dispositivos periféricos no se deben utilizar cuando haga mal tiempo, especialmente si existe riesgo de tormenta eléctrica.
- n) No toque las piezas móviles peligrosas hasta que se hayan parado por completo.
- o) Para usar robots en áreas públicas, la señalización de advertencia debe colocarse en lugares donde el robot está en funcionamiento debiendo señalar lo siguiente:
¡Advertencia! Cortacésped automático!
Manténgase lejos del robot! Vigile a los niños!

2. En el caso de que el equipo funcione automáticamente

- a) No deje que el aparato funcione sin vigilancia si sabe que hay animales domésticos, niños o personas en los alrededores.

Mantenimiento y almacenamiento



¡ADVERTENCIA! Cuando se pone boca abajo, el cortacésped la alimentación debe estar apagada.

El robot debe estar apagado durante cualquier trabajo que se realice en el bastidor inferior del cortacésped, como la limpieza o la sustitución de las cuchillas.

- a) Mantenga todas las tuercas, pernos y tornillos apretados para unas condiciones de trabajo seguras.
- b) Por su seguridad inspeccione el robot cortacésped cada semana y sustituya las piezas desgastadas o dañadas;

- c) Compruebe que las cuchillas y el disco de corte no están dañados. Cuando sea necesario cambie las cuchillas y los tornillos al mismo tiempo a fin de que las partes giratorias estén equilibradas.
- d) Asegúrese de que las partes cortantes que se sustituyen son del tipo correcto.
- e) Asegúrese de que las baterías se cargan con el cargador correcto recomendado por el fabricante. El uso incorrecto puede provocar descargas eléctricas, sobrecalentamiento o una fuga del líquido corrosivo de la batería;
- f) En el caso de que se produzca una fuga de electrolito y se mezcle con agua o agente neutralizante, busque ayuda médica si entrara en contacto con los ojos, etc.;
- g) La asistencia técnica del equipo se debería realizar de acuerdo con las instrucciones del fabricante.

Recomendación

Conecte la máquina y sus dispositivos periféricos únicamente a un circuito de alimentación protegido mediante un interruptor diferencial (ID) con una corriente de disparo que no sea superior a 30 mA.

Riesgos residuales

Para evitar lesiones, utilice guantes de protección para sustituir las cuchillas.

Transporte

Para el transporte del robot cortacésped a largas distancias, se debe utilizar el embalaje original.

Para un traslado seguro desde o dentro de la zona de trabajo:

- a) Pulse el botón STOP para detenerlo. Selecciona los cuatro dígitos del PIN elegido primera vez.
- b) Apague el robot cortacésped siempre que tenga intención de transportarlo.
- c) Coja el cortacésped por el mango de la parte trasera. Coja el cortacésped con el Plato de cuchillas lejos del cuerpo.

Requisitos expuestos RF

Para satisfacer los requisitos expuestos RF, debe mantenerse una distancia de separación de 200 mm o más entre este dispositivo y las personas durante su funcionamiento.

Para garantizar el cumplimiento, no se recomienda el funcionamiento a una distancia inferior a la indicada. La antena utilizada para este transmisor no debe colocarse junto con

ninguna otra antena o transmisor.

Este es un aparato de clase III y deber ser alimentados solo con muy baja tensión de seguridad según el marcado en el aparato.

Mantenimiento

- 1) **Confíe el mantenimiento de su equipo a una persona cualificada que utilice únicamente piezas de recambio originales.** Esto garantizará que se mantenga la seguridad del equipo.
- 2) **Nunca mantenga una batería dañada.** El mantenimiento de la batería sólo debe ser realizado por el fabricante o por proveedores de servicios autorizados.

Advertencias de seguridad para la batería del interior de la herramienta

- a) **No desmonte, abra o destruya las pilas o las baterías recargables.**
- b) **No provoque un cortocircuito en la batería. No almacene las baterías de forma descuidada en una caja o cajón donde podría provocar un cortocircuito entre ellas o mediante otros objetos metálicos.** Cuando la batería no esté siendo utilizada, manténgala alejada de objetos metálicos, como clips de papel, monedas, llaves, clavos, tornillos u otros objetos metálicos pequeños, que pueden posibilitar la conexión de un borne con otro. Al provocar un cortocircuito con los bornes de la batería se pueden sufrir quemaduras o generar un incendio.
- c) **No exponga las baterías al calor o al fuego. No las guarde expuestas directamente al sol.**
- d) **No exponga las baterías a impactos mecánicos.**
- e) **En caso de que la batería tenga fugas de líquido, no permita que el líquido entre en contacto con la piel o los ojos. Si se produce el contacto, lave la zona afectada con abundante agua y acuda a un médico.**
- f) **Acuda a un médico inmediatamente si ha ingerido una pila o una batería.**
- g) **Mantenga las baterías limpias y secas.**
- h) **Recargue solo con el cargador indicado por Kress. No utilice ningún otro cargador que no sea el específicamente proporcionado para el uso con este equipo.**
- i) **No utilice ninguna batería distinta a la diseñada para utilizarse con el dispositivo.**
- j) **Mantenga la batería fuera del alcance de los niños.**

- k) **Conserve la documentación original del producto por si tuviera que consultarla en otro momento.**
- l) **Deshágase del producto correctamente.**
- m) **No mezcle celdas de diferente fabricación, capacidad, tamaño o tipo dentro de un mismo dispositivo.**
- n) **¡Advertencia! No utilice baterías no recargables.**

Requisitos del manual de usuario para el producto inalámbrico

- a) El funcionamiento de este dispositivo está sujeto a las siguientes condiciones:
 - (1) Este dispositivo no puede causar interferencias perjudiciales, y
 - (2) debe aceptar cualquier interferencia recibida, incluyendo las que puedan causar un funcionamiento indeseado.
- b) Precaución: Los cambios o modificaciones a este aparato que no estén expresamente aprobados por la parte responsable del cumplimiento podrían anular la autoridad del usuario para utilizar el equipo.
- c) NOTA: Este equipo genera, usa y puede radiar energía de radiofrecuencia y, si no se instala y usa de acuerdo con las instrucciones, puede causar interferencias perjudiciales para las comunicaciones de radio. Sin embargo, no se garantiza que no ocurran interferencias en una instalación particular. Si este equipo causa interferencias perjudiciales en la recepción de radio o televisión, lo cual puede determinarse apagando y encendiendo el equipo, se recomienda al usuario que intente corregir las interferencias mediante una o varias de las siguientes medidas:
 - Reoriente o reubique la antena receptora.
 - Aumente la distancia entre el equipo y el receptor.
 - Conecte el equipo a una toma de corriente de un circuito diferente al que está conectado el receptor.
 - Consulte con el proveedor o un técnico con experiencia en radio/TV para obtener ayuda.

Símbolos



ADVERTENCIA –EL ROBOT CORTACÉSPED puede ser peligroso si se usa incorrectamente. Lea con atención el Manual de Usuario y entienda su contenido antes de usar su ROBOT CORTACÉSPED.



ADVERTENCIA - Manténgase a una distancia segura mientras la máquina esté en funcionamiento.



ADVERTENCIA – Apague la máquina antes de trabajar en ella o levantarla.



ADVERTENCIA –No use la máquina como medio de transporte.



Dispositivo de clase III



Los residuos de aparatos eléctricos y electrónicos no deben depositarse en la basura doméstica. Se deben reciclar en las instalaciones especializadas. Consulte a las autoridades locales o el establecimiento para saber cómo reciclar estos productos.



Li-Ion



Batería de iones de litio. Este producto está marcado con un símbolo que indica que todas las pilas y baterías se deben desechar de forma especial. Seguidamente, esos componentes se reciclarán o desarmarán para reducir el impacto en el medio ambiente. Las baterías pueden ser peligrosas para el medio ambiente y para la salud humana, ya que contienen sustancias peligrosas.



No incinerar



Las baterías pueden entrar en el ciclo del agua si se desechan incorrectamente, lo que puede ser peligroso para el ecosistema. No deseches las baterías inútiles como residuos municipales sin clasificar.



No lave la máquina utilizando agua a alta presión.



Leer el manual de operador

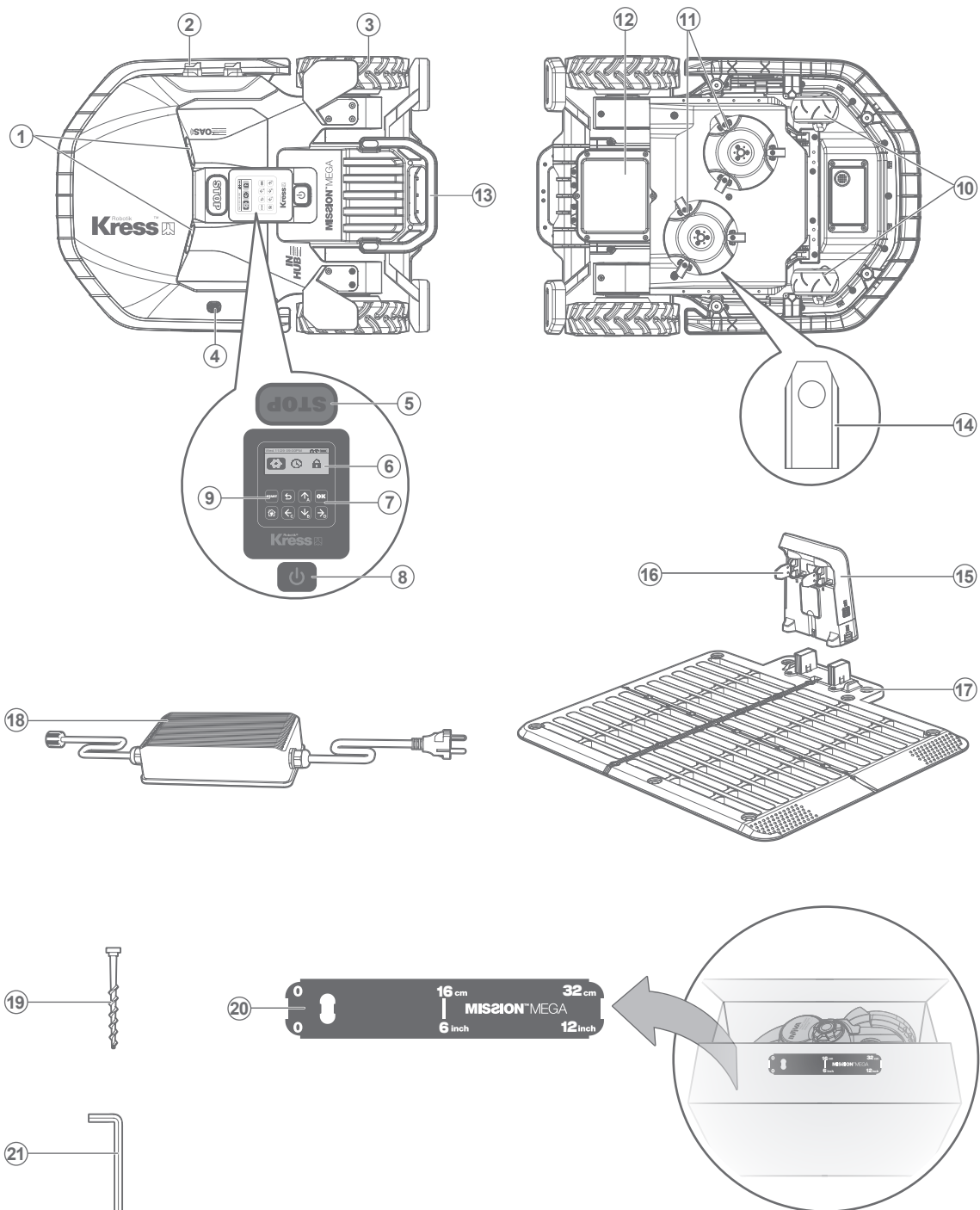


Unidad de alimentación desmontable



Queda prohibido el desmontaje de la máquina sin autorización

Lista de componentes



- | | |
|------------------------------|---|
| 1. Sensor ultrasónico | 12. Batería* |
| 2. Banda de Carga | 13. Sujeción del robot |
| 3. Rueda de tracción Trasera | 14. Cuchillac de Corte |
| 4. Sensor de Lluvia | 15. Cubierta protectora |
| 5. Botón de DETENCIÓN | 16. Pins de Contacto |
| 6. PANTALLA | 17. Base de Carga |
| 7. Teclado | 18. Adaptador de Corriente |
| 8. Llave ENCENDER/APAGAR | 19. Tornillos de fijación para la base de carga |
| 9. Botón de inicio (START) | 20. Medidor de Distancia de Cable perimetral |
| 10. Rueda Frontal | 21. Llave hexagonal |
| 11. Plato de cuchillas | |

* Los accesorios ilustrados o descritos pueden no corresponder al material suministrado de serie con el aparato.

Datos técnicos del robot cortacésped

Modelo **KR133E KR136E (100-199 - denominaciones de maquinaria, representantes de Robot Cortacesped)**

	KR133E	KR136E
Tensión nominal	20V \equiv Max.*	
Velocidad en vacío	2800/min	3200/min
Área de corte	Rec. / máx. rendimiento de área: 3000 m ² / 4400 m ²	Rec. / máx. rendimiento de área: 6000 m ² / 6500 m ²
Diámetro de corte	35 cm	
Altura de corte	30-60 mm	
Cortar escalones altos	5 mm	
Tipo de batería	Litio	
Modelo de la batería	KA3006	KA3010
Tiempo de carga aprox.	46 min.	77 min.
Modelo del cargador	KA3717 / KA3817	
Datos nominales del cargador	Entrada: 100-240V~50/60Hz, 230W, Salida: 28V, 7.0A	
Peso de la Máquina	19 kg	19.5 kg
Clase de protección	III	
App(Wi-Fi/Bluetooth)	Y	
Pendiente máxima dentro de la superficie de trabajo	45%	
Bandas de frecuencia para Bluetooth (MHz)	2400-2483.5 MHz	
Potencia transmitida máxima para Bluetooth (dBm)	8 dBm	
Banda de frecuencias para Wi-Fi (MHz)	2400-2483.5 MHz	

Máxima potencia transmitida para Wi-Fi (dBm)	20 dBm
Banda de frecuencia de los sistemas de bucle inductivo.	77 Hz
Potencia máxima de radiofrecuencia de los sistemas de bucle inductivo.	82 dB μ A/m

*Voltaje medido sin carga. El voltaje inicial máximo de la batería es de 20 voltios. El voltaje nominal es de 18 voltios.

Datos técnicos para GeoTrace

Voltaje clasificado	5V \pm 5%
Temperatura de funcionamiento	-10°C ~ +72°C
Temperatura de almacenamiento	-20°C ~ +75°C

Banda	Tx (MHz)	Rx (MHz)	El Máximo (EIRP) Potencia transmitida (dBm)
EGPRS 900MHZ	880~915	925~960	30
EGPRS 1800MHZ	1710~1785	1805~1880	30
NB-IOT Band3	1710~1785	1805~1880	24
NB-IOT Band8	880~915	925~960	24
NB-IOT B20	832~862	791~821	24

Información de ruido

	KR133E	KR136E
Nivel de presión acústica de ponderación	$L_{pA} = 46.72 \text{ dB (A)}, K_{pA} = 0.39 \text{ dB(A)}$	$L_{pA} = 46.5 \text{ dB (A)}, K_{pA} = 1.75 \text{ dB(A)}$
Nivel de potencia acústica de ponderación	$L_{wA} = 57.72 \text{ dB (A)}, K_{wA} = 0.39 \text{ dB(A)}$	$L_{wA} = 57.5 \text{ dB (A)}, K_{wA} = 1.75 \text{ dB(A)}$
Úsese protección auditiva cuando la presión acústica sea mayor a		80dB(A) 

Es inevitable un cierto grado de ruido procedente de la máquina. El trabajo con maquinarias ruidosas está sujeto a licencia y debe estar limitado a determinados periodos. Respete los periodos de descanso y puede que sea necesario restringir las horas de trabajo al mínimo. Para su protección personal y la de las personas que trabajen cerca, debe usar una protección auditiva adecuada.

Accesorios

Tornillos	18
Base de carga	1
Tornillos de fijación de la base de carga	8
Llave Allen	1
Patrón de medida para el cable perimetral	1
Cuchillas	18
Batería (KA3006/KA3010)	1
Cargador (KA3717/KA3817)	1

Recomendamos que adquiera todos sus accesorios en el mismo comercio donde compró la herramienta. Consulte los estuches de los accesorios para más detalles. El personal del comercio también puede ayudar y aconsejar.

Utilización reglamentaria

Este producto ha sido proyectado para cortar el césped. Se ha diseñado para cortar el césped con frecuencia, permitiéndole disfrutar de un césped más verde y de mejor aspecto. Según el tamaño de su jardín, Mission™ puede programarse para funcionar en cualquier momento o con la frecuencia que desee. No está diseñado para cavar, barrer ni quitar nieve.

74

ES

Mantenimiento

Tiene que revisar su Mission™ de vez en cuando. El Mission™ trabaja mucho y después de un tiempo necesita una buena limpieza, así como reemplazar aquellas partes que se hayan podido desgastar. Nunca use su Mission™ si el interruptor On/Off está defectuoso.

Apague la máquina antes de realizar cualquier servicio técnico o mantenimiento.

En los siguientes apartados queremos informarle de cómo hacer que su nuevo Mission™ se adapte a su nuevo hogar y darle el mejor cuidado posible.

1

Mantenerlo afilado

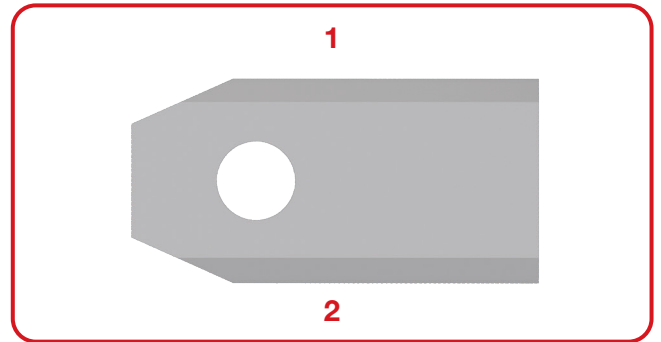


ADVERTENCIA: Antes de limpiar, ajustar o reemplazar las cuchillas, apague su Mission™ OFF y póngase guantes de protección.



ADVERTENCIA: Para sustituir la cuchilla, asegúrese de cambiar todas las cuchillas si cambia una. Utilice siempre tornillos nuevos para instalar las cuchillas. Esto es importante para asegurarse de que las cuchillas queden fijadas correctamente y que el plato de cuchillas esté bien equilibrado. La no utilización de tornillos nuevos podría ocasionar lesiones graves.

El Mission™ no corta el césped como los demás robots cortacésped. Las cuchillas son como un cuchillo afilado en los 4 bordes y gira en ambas direcciones para obtener una capacidad máxima de corte. Cada cuchilla de su Mission™ tiene 4 bordes de corte. El disco de corte realiza una rotación hacia delante y hacia atrás de forma aleatoria para usar 4 filos de corte. Esto ayuda a minimizar la frecuencia con que debe sustituirse la cuchilla de corte. Y con el material nuevo, la vida útil de cada cuchilla de corte será 3 veces más larga que la de otras marcas cuando esté programada para trabajar todos los días. Revise si las cuchillas están astilladas o dañadas y cámbielas si lo están. Cuando la cuchilla de corte esté rota o desgastada, se debe cambiar por la cuchilla de repuesto proporcionada con su Mission™. También puede obtener las cuchillas de repuesto en su distribuidor de Kress más cercano.



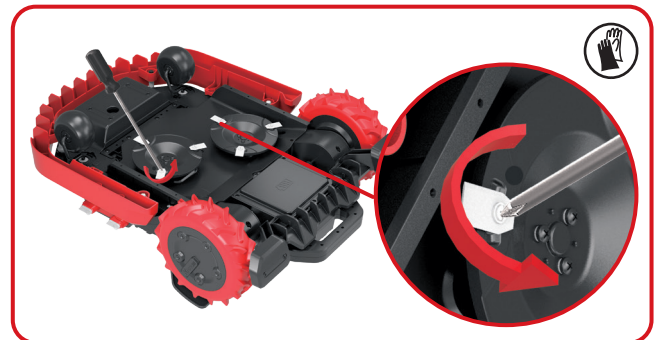
A. Sustituir las cuchillas

Usualmente las cuchillas de Mission™ deben invertirse cada mes y sustituirse cada 2 meses. Así que cuando cambie las cuchillas, asegúrese de cambiarlas todas al mismo tiempo. Se pueden reemplazar con uno de los conjuntos de cuchillas de repuesto y tornillos adicionales suministrados con el Mission™.

Antes de proceder a cambiar las cuchillas del Mission™, apague el cortacésped y póngase guantes de protección. Luego siga los pasos siguientes:

1. Ponga el Mission™ del revés con delicadeza
2. Extraiga la cubierta de la batería y la batería.
3. Saque los tornillos de las cuchillas con un destornillador de punta plana.
4. Atornille las cuchillas nuevas firmemente.
5. Vuelva a instalar la batería y la cubierta de la batería.

Importante: Después de atornillar las cuchillas al plato de cuchillas, asegúrese de este puede girar libremente.



2

Manténgalo limpio

⚠️ ADVERTENCIA: Antes de la limpieza, apague su Mission™. Póngase guantes de protección antes de limpiar el plato de cuchillas y no utilice agua corriente.

⚠️ ¡Advertencia! ¡SU Mission™. sólo se puede lavar usando una manguera! NO utilice lavadoras de alta presión en su Mission™. El agua de alta presión puede entrar en el interior y dañar las piezas electrónicas y mecánicas.

A. Limpiar el cuerpo

Su Mission™ tendrá una vida mucho más larga si se limpia y cuida regularmente. Dado que su Mission™ es una máquina eléctrica, debe tener cuidado al limpiar. Se admite la limpieza de agua de manguera. Es mejor usar una botella de spray llena de agua. Al limpiar el cuerpo de la máquina, utilice un cepillo suave o un paño limpio y evite el uso de solvente o pulidor. Por último, retire todos los recortes de césped y escombros acumulados.

B. Limpieza de la parte inferior

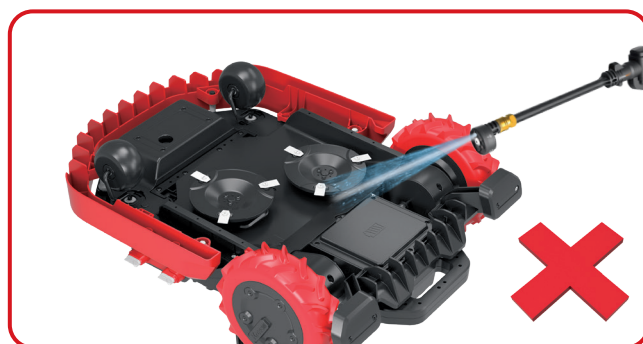
Una vez más, es importante que apague el Mission™ y use guantes de protección antes de tocar el plato de cuchillas. En primer lugar, coloque la Mission™ boca abajo para exponer la parte inferior. Aquí verá el plato de cuchillas, la caja del motor y las ruedas delanteras y motrices. Limpie todo a fondo con un cepillo suave o un paño húmedo. Se admite la limpieza de agua de manguera.

Gire el plato de cuchillas para asegurarse de que gira libremente. Compruebe que las cuchillas giran libremente sobre los tornillos de fijación. Quite cualquier obstrucción que se haya podido generar.

IMPORTANTE: Elimine todos los residuos para que no se resquebraje el plato de cuchillas. La más pequeña fisura puede disminuir el rendimiento de corte de su Mission™.

C. Limpie las patillas de los contactos y las regletas de carga

Mediante un paño, limpie la patilla de contacto situada en la base de carga y la regleta de carga situada en su Mission™. Quite cualquier resto de hierba cortada alrededor de las patillas de contacto y las regletas de carga para garantizar que su Mission™ se carga correctamente en todo momento.



3

Duración de la batería

El corazón del Mission™ es la Batería de Litio de 20 voltios. Para un almacenamiento correcto de la batería, asegúrese de que está totalmente cargada y en un lugar fresco y seco ($20^{\circ}\text{C} \pm 5^{\circ}\text{C}$).

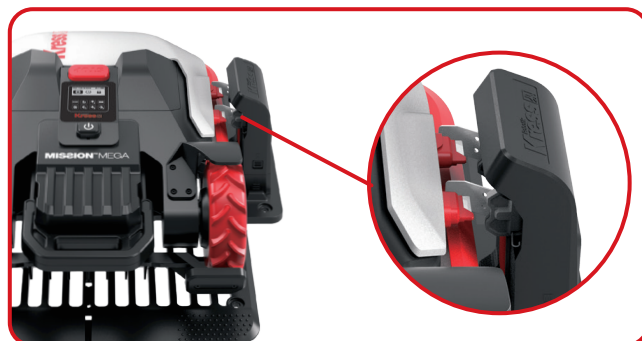
NOTA: La temperatura de funcionamiento recomendada para el Mission™ es de $0^{\circ}\text{C} - 45^{\circ}\text{C}$

La vida útil de la batería del Mission™ depende de varios factores, tales como:

- Duración de la temporada de corte en su región
- Cantidad de horas que el Mission™ funciona diariamente
- La forma de tratar la batería durante el almacenamiento

El Mission™ puede ser cargado manualmente sin el cable perimetral.

1. Conecte la Base de Carga a una toma de corriente adecuada. La luz verde de la base de carga se encenderá.
2. Conecte manualmente el Mission™ en la Base de Carga mientras el Mission™ está apagado.
3. Luz verde intermitente en la base de carga. Se inicia el proceso de carga del Mission™.



4

Hibernación

Su Mission™ vivirá más tiempo y más saludable si se le permite hibernar. Así que, aunque es pesado, le recomendamos que durante el invierno guarde el Mission™ en el cobertizo o en el garaje.

Antes de poner su Mission™ a hibernar, debe asegurarse de:

- Limpiar a fondo su Mission™
- Cargar completamente la batería
- Voltrear el cortacésped

Para maximizar la vida útil de la batería, le recomendamos que la cargue totalmente antes de almacenarla durante el invierno.

⚠ ADVERTENCIA: Proteja los bajos del Mission™ frente al agua. NUNCA almacene el Mission™ cara arriba al aire libre si con ello queda expuesto al agua.

El cable perimetral se puede dejar en el suelo, pero se deberían proteger los extremos, por ejemplo, colocándolos dentro de una lata con grasa. Si la base de carga queda fuera durante el invierno, deje el cable perimetral conectado.

NOTA: Cuando vuelva a usar el Mission™ después de la hibernación, asegúrese de que las bandas de carga y patillas de contacto están limpias, lo mejor es usar un paño muy suave. En la aplicación, compruebe que la fecha y la hora sean correctas y devuelva el Mission™ a lo que mejor se le da: cortar el césped.

5

Sustituir la Batería

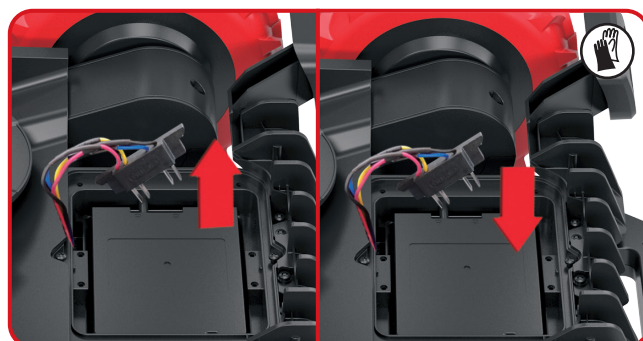
! **ADVERTENCIA:** Pulse el botón ON/OFF en OFF antes de realizar cualquier ajuste, sustitución o reparación. Antes de reemplazar las cuchillas, apague su Mission™ OFF y póngase guantes de protección.

Si necesita reemplazar la batería, siga estos pasos:

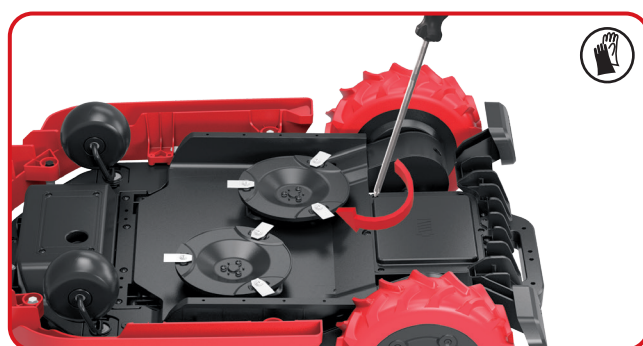
1. Ponga el Mission™ del revés con delicadeza.
2. Retire los tornillos de la batería. Retire la cubierta de la batería.



3. Desconecte el conector. Sustituya la batería antigua por la nueva. A continuación, conecte el conector.



4. Vuelva a instalar la cubierta en su posición y apriete bien los tornillos.



Problemas durante la instalación

Si su Mission™ no funciona correctamente, siga esta Guía de Resolución de Problemas. Si el problema persiste, contacte con su distribuidor.

Síntoma	Causa	Acción
El indicador LED de la estación de carga no se enciende.	No hay alimentación.	Compruebe que el cable de alimentación está conectado correctamente al cargador y que el cargador está conectado a una fuente de alimentación adecuada.
La luz roja de la base de carga se enciende.	El cable perimetral no está conectado.	Compruebe que el cable perimetral se ha conectado correctamente a la base de carga. Compruebe que no hay ninguna interrupción en el cable perimetral, especialmente en los extremos del cable.
Su Mission™ se encuentra dentro de su territorio, pero la pantalla indica "Fuera del área de trabajo" y el LED está en verde.	Los extremos del cable perimetral están fijados de forma incorrecta.	Invierta los extremos del cable perimetral.
Mission™ no se puede conectar correctamente a la Base de Carga	Influencia medioambiental.	Reinicie el Mission™.
	Mala conexión debido a la contaminación de la banda de carga.	Limpie la patillas de contacto de la base de carga y la banda de carga de la máquina con un paño.
El Mission™ se sale del cable perimetral. EL Mission™ no corta un área dentro de la zona del cable perimetral. El Mission™ invierte la marcha o gira de forma errónea cerca del cable perimetral.	El cable perimetral de otro Mission™ u otro robot cortacésped está excesivamente cerca.	Compruebe que el cable perimetral de su Mission™ está al menos a 1m de distancia de otro límite.
	El cable perimetral ha sido instalado con esquinas puntiagudas.	Compruebe el cable perimetral para suavizar las esquinas.
	En condiciones con agua o humedad, la señal eléctrica del cable perimetral puede perderse en las zonas en las que el cable se ha unido o reparado.	Compruebe las juntas de unión del cable perimetral. Aíslelas para proporcionar una conexión totalmente impermeable.
	Hay una pérdida de la señal eléctrica del cable perimetral debido a un aislamiento roto.	Repare el aislamiento del cable perimetral dañado y sus conectores.
	El área de corte es superior al área de corte permitida para el Mission™.	Reduzca la zona de corte.
El Mission™ se sale del límite del cable debido a un exceso de velocidad cuando va cuesta abajo	El Cable Perimetral está colocado sobre una pendiente con una inclinación superior a un 17% (10°).	Recoloque el Cable Perimetral lejos de pendientes que tengan una inclinación superior a un 17% (10°).


<p>La posición del Mission™ no se puede mostrar precisamente en la aplicación, o su posición no se puede detectar.</p>	<p>La señal del GPS se ve afectada por el clima o alguna interferencia.</p>	<p>1. Verifique y asegúrese de que: el Mission™ no esté boca abajo o de lado; el Mission™ no está cubierto por objetos metálicos. 2. Lleve el Mission™ a un área abierta donde pueda obtener una señal móvil.</p>
	<p>No está utilizando la última versión de la aplicación del Mission™.</p>	<p>Actualice la aplicación del Mission™ a la última versión.</p>
<p>El Mission™ no emite una alarma cuando está fuera de la zona Geo.</p>	<p>El software del Mission™ en sí no es el último.</p>	<p>Actualice el software del Mission™ antes de usar el GeoTrace.</p>
	<p>Hay una pequeña área de tolerancia inmediatamente fuera del perímetro establecido para el GeoTrace.</p>	<p>Lleve la Mission™ fuera del área de tolerancia (aproximadamente a 30 m de la zona Geo) para verificar que el GeoTrace esté funcionando.</p>
	<p>El GeoTrace está apagado.</p>	<p>Encienda el Mission™ y, si es necesario, recárguelo. Si no necesita ser recargado. El GeoTrace de Encuentre mi Mission™ se recargará con la batería de energía compartida del Mission™. (El GeoTrace tiene una batería interna que dura una semana después de apagar la máquina).</p>
	<p>La zona Geo no está configurada, o el radio de la zona Geo no está establecido.</p>	<p>Utilice la aplicación del Mission™ para configurarlo correctamente.</p>
	<p>El Mission™ está apagado.</p>	<p>En este caso, la alarma se enviará 10 minutos después de que el Mission™ salga de la zona Geo.</p>
<p>El Mission™ todavía funciona cuando está fuera de la zona Geo.</p>	<p>La zona Geo no está configurada, o el radio de la zona Geo no está establecido</p>	<p>Use la aplicación del Mission™ para configurarla correctamente.</p>
	<p>La zona Geo no está habilitada.</p>	

El Mission™ funciona normalmente, pero la comunicación entre el Mission™ y el teléfono inteligente no funciona correctamente.	La cobertura de la red telefónica del GeoTrace es débil.	Verifique si tiene una señal débil. En caso afirmativo, muévase a un área con buena señal.
	El GeoTrace está dañado.	Póngase en contacto con un distribuidor y hágalo revisar correctamente.
	El software del Mission™ no es el último.	Actualiza el software del Mission™.
	La aplicación del Mission™ necesita ser actualizada.	Actualice su aplicación del Mission™ antes de usar el GeoTrace.
	La SIM del GeoTrace no está activada.	Antes del primer uso, asegúrese de haber activado la tarjeta SIM siguiendo el procedimiento en la aplicación del Mission™.
	El GeoTrace no está bien conectado a Mission™	Contactar al distribuidor. Compruebe que el conector del GeoTrace esté correctamente insertado con un clic.
	El Mission™ no tiene corriente.	Compruebe si la pantalla del Mission™ está iluminada. De lo contrario, envíe el Mission™ de nuevo a la base de carga para la carga o inicie el procedimiento de emergencia para cargarla.
	La tarifa de suscripción SIM ha expirado.	Una vez vencido debe ser renovado.
El Mission™ no puede lograr un posicionamiento en tiempo real o la ubicación del Mission™ no se puede actualizar en tiempo real.	El GeoTrace está diseñado para actualizar el posicionamiento cada 10 minutos para ahorrar energía. Cuando el Mission™ tiene una capacidad de batería de baja potencia, el intervalo de tiempo de la actualización del posicionamiento será más largo.	Ésto es normal, no necesita tomar medidas.
	Si Mission™ ha estado apagado durante más de 24 horas en la cerca Geo para almacenamiento, el GeoTrace se apaga automáticamente sin señal de GPS.	

NOTA:

1. La batería del GeoTrace debe ser reemplazada por el agente de servicio.
2. Asegúrese de que el Mission™ se carga regularmente durante el almacenamiento, se recomienda una vez cada medio año.
3. El GeoTrace debe renovarse una vez que expire la tarifa de suscripción SIM.

Protección ambiental

 Los residuos de equipamientos eléctricos y electrónicos no deben depositarse con las basuras domésticas. Se recogen para reciclarse en centros especializados. Consulte las autoridades locales o su distribuidor para obtener información sobre la organización de la recogida.

Declaración de conformidad

Los que reciben,
Positec Germany GmbH
Postfach 32 02 16, 50796 Cologne, Germany

En nombre de Positec declaran que el producto,
Descripción **Robot Cortacesped**
Modelo **KR133E KR136E (100-199 - denominaciones de maquinaria, representantes de Robot Cortacesped) (El año, la referencia y el mes del número de serie se indican en la página posterior. El número de serie completo se indica de forma clara en la carcasa del cortacésped) con cargador de batería KA3717/KA3817 y base de carga KA0072/KA0073**
Función **corte de césped**

Cumple con las siguientes Directivas,
2006/42/EC, 2014/30/EU, 2014/35/EU, 2011/65/EU&(EU)2015/863, 2000/14/EC modificada por 2005/88/EC, 2014/53/EU

2000/14/EC modificada por 2005/88/EC

- Procedimiento de evaluación de la conformidad de acuerdo con
- Nivel de presión acústica
- Nivel de intensidad acústica

KR133E
Annex V
57.72 dB (A)
59 dB (A)

KR136E
Annex V
57.5 dB (A)
59.3 dB (A)

El organismo notificado Intertek, Semko AB, NB-No. 0413 ha realizado un examen de tipo UE de acuerdo con la directiva 2014/53/EU y ha expedido el siguiente certificado de examen de tipo UE: SE-RED-2200106

GeoTrace:

Notificación realizada por:

Nombre: TIMCO ENGINEERING, Inc (cuerpo notificado CE1177)
Dirección: 849 NW State Road 45, Newberry, Florida 32669, USA

82

ES

Normativas conformes a,

Para cortacésped: EN 50636-2-107:2015+A1:2018+A2:2020+A3:2021, EN 60335-1:2012+A11:2014+A13:2017+A1:2019+A2:2019+A14:2019+A15:2021, EN IEC 62311:2020, EN IEC 55014-1:2021, EN IEC 55014-2:2021, EN IEC 61000-3-2:2019+A1:2021, EN 61000-3-3:2013+A1:2019+A2:2021

Para sistema de bucle de inducción: EN 303 447 V1.1.1

Para módulo ultrasónico: EN 55011:2016+A11:2020

Para módulo WIFI (2.4G) y Bluetooth: EN 301 489-1 V2.2.3, EN 301 489-17 V3.2.4, EN 300 328 V2.2.2

Para módulo GPS+4G: EN 301 489-1 V2.2.3, EN 301 489-19 V2.1.1, EN 301 489-52 V1.2.1, EN 301 511 V12.5.1, EN 301 908-1 V13.1.1, EN 301 908-13 V13.1.1, EN 303 413 V1.1.1

Para cargador: EN IEC 55014-1:2021, EN IEC 55014-2:2021, EN IEC 61000-3-2:2019+A1:2021, EN 61000-3-3:2013+A1:2019+A2:2021, EN IEC 60335-2-29:2021+A1:2021, EN 60335-1:2012+A11:2014+A13:2017+A1:2019+A2:2019+A14:2019+A15:2021, EN 62233:2008

Para ruido: EN ISO 3744:2005

Para RoHS: EN IEC 63000:2018

La persona autorizada para componer el archivo técnico,

Firma Marcel Filz

Dirección Positec Germany GmbH Postfach 32 02 16, 50796 Cologne, Germany



2023/09/19

Allen Ding

Ingeniero Jefe Adjunto. Pruebas y Certificación

Positec Technology (China) Co., Ltd.

18, Dongwang Road, Suzhou Industrial

Park, Jiangsu 215123, P. R. China

Gebruikers kunnen de elektronische gebruiksaanwijzingen bekijken op <https://www.kress.com/en/>.

Productveiligheid

Algemene & extra veiligheidsinstructie



WAARSCHUWING! Lees alle instructies zorgvuldig door. Indien u zich niet aan alle onderstaande instructies houdt, kan dat leiden tot een elektrische schok, brand en/of ernstig letsel.

Lees de instructies aandachtig voor een veilig gebruik van de machine. Bewaar alle waarschuwingen en instructies voor latere naslag.

- Dit apparaat is niet bedoeld voor gebruik door personen (waaronder kinderen) met verminderde fysieke of mentale capaciteiten of een verminderd waarnemingsvermogen, tenzij ze voor gebruik van het apparaat toezicht en instructie krijgen van iemand die verantwoordelijk is voor hun veiligheid.
- Kinderen moeten onder toezicht worden gehouden om te verzekeren dat ze niet met het apparaat spelen.
- De batterij in dit apparaat mag alleen worden vervangen door geschoold personeel. **WAARSCHUWING:** Gebruik voor het opladen van de batterij alleen de verwijderbare voedingseenheid die bij het apparaat wordt geleverd.

**BELANGRIJK
LEES ALLE INSTRUCTIES ZORGVULDIG
DOOR.
BEWAAR ALLE WAARSCHUWINGEN EN
INSTRUCTIES VOOR LATERE NASLAG**

Veilige Bediening Instructies

- Lees de instructies nauwkeurig door. Zorg ervoor dat u de instructies begrijpt en dat u bekend bent met de bedieningsorganen en het juiste gebruik van het toestel;
- Sta niet toe dat het toestel gebruikt wordt door personen die niet bekend zijn met deze instructies of door kinderen. Plaatselijke voorschriften kunnen een grens leggen aan de leeftijd van de gebruiker;
- De gebruiker is verantwoordelijk voor ongevallen en gevaren die optreden met andere personen of hun eigendommen.

Vorbereitung

- Zorg ervoor dat de grensdraad correct wordt geïnstalleerd volgens de instructies.
- controleer het gebied waarin het toestel gebruik wordt geregeld. Verwijder alle stenen, stokken, draden, botten en ander vreemde voorwerpen.
- Inspecteer de messen, bouten en het snijmechanisme geregeld op slijtage en schade. Vervang versleten en beschadigde messen en bouten gelijktijdig, zodat de balans behouden blijft.
- Bij toestellen met meerdere assen let u erop dat het draaien van het ene mes ook het ander mes in beweging brengt.
- WAARSCHUWING!** De grasmaaier mag niet worden gebruikt zonder dat de afscherming op zijn plaats is.

Bediening

1. Algemeen

- Gebruik het toestel niet met een defecte kap of zonder dat de veiligheidsmiddelen, zoals de, af buigers op hun plaats zitten;
- Steek geen handen of voeten in de buurt van de draaiende delen. Houd steeds afstand van de; uitwerp opening
- Til het toestel niet op en vervoer het niet terwijl het in werking is;
- Bedien de uitschakelinrichting van het apparaat:
 - Voordat u een blokkering verwijdert;
 - Voordat u de machine controleert, schoonmaakt of onderhoudt;
 - Om de machine op schade te controleren nadat u een vreemd voorwerp hebt geraakt;
 - Als de machine abnormaal begint te trillen, en deze te controleren op schade alvorens weer opnieuw in te schakelen.
- Het is niet toegestaan het oorspronkelijke ontwerp van de grasmaaier te veranderen. Alle wijzigingen zijn op eigen risico.
- Start de automatische grasmaaier volgens de instructies. Wanneer de stroom is ingeschakeld, moet u ervoor zorgen dat uw handen en voeten uit de buurt van de draaiende messen blijven. Plaats nooit uw handen en voeten onder de Robotmaaier.
- Til de robotmaaier nooit op of draag het nooit wanneer de stroom is ingeschakeld.
- Sta niet toe dat de maaier gebruikt wordt door personen die niet weten hoe de Robotmaaier werkt en zich gedraagt.
- Leg geen voorwerpen op de Robotmaaier of op het laadstation.
- Laat de Robotmaaier niet werken met een


defect mes of een defecte behuizing. Hij moet ook niet worden gebruikt met defecte schroeven, moeren of kabels.

- k) Schakel de Robotmaaier altijd uit als u niet van plan bent om de Robotmaaier te gebruiken. De robotmaaier kan alleen starten als de stroom is ingeschakeld en de juiste PIN-code is ingevoerd.
- l) Houd uw handen en voeten buiten het bereik van de roterende bladen. Plaats nooit uw handen en voeten onder de Robotmaaier.
- m) Vermijd gebruik van de machine en de accessoires onder slechte weersomstandigheden, voornamelijk als er gevaar op blikseminslag is.
- n) Raak riskante bewegende delen niet aan, voordat die stilgezet zijn.
- o) Voor machines die gebruikt worden in publieke ruimtes, dienen waarschuwingsborden geplaatst te worden rond de ruimte waar de machine in werking treedt. Geven de inhoud van de volgende tekst weer:
Waarschuwing! Automatische grasmachine!
Houd uit de buurt van de machine! Kinderen onder toezicht houden!

2. Als het toestel automatisch functioneert

- a) Laat de machine niet werken zonder toezicht als u weet dat er dieren, kinderen of andere personen in de omgeving zijn.

Onderhoud en opslag

 **WAARSCHUWING! Als de maaier ondersteboven wordt gedraaid, moet de stroom altijd uitgeschakeld zijn. De stroom moet uitgeschakeld zijn tijdens alle werkzaamheden aan het onderframe van de maaier, zoals schoonmaken of vervangen van de messen.**

- a) Zet alle moeren, bouten en schroeven vast om zeker te weten dat het toestel in de veilige werktoestand is;
- b) Inspecteer de grasmaaier elke week en vervang versleten of beschadigde onderdelen voor de veiligheid;
- c) Controleer of de messen en de schijf niet beschadigd zijn. Verwijder alle messen en schroeven tegelijk, zodat de draaiende delen in balans blijven.
- d) Zorg ervoor dat uitsluitend vervangingsonderdelen van het juiste type worden gebruikt;
- e) Zorg ervoor dat batterijen worden opgeladen met de juiste lader, aanbevolen door de fabrikant. Onjuist gebruik kan resulteren

in een elektrische schok, oververhitting of lekkage van de corroderende vloeistof uit de batterij;

- f) Bij lekkage van het elektrolyt spoelt u met water of een neutraliserend middel. Vraag medische hulp als het elektrolyt in contact komt met de ogen e.d.;
- g) Onderhoud van het toestel moet geschieden in overeenstemming met de instructies van de fabrikant.

Aanbeveling

Sluit het apparaat en/of de accessoires alleen aan op een elektriciteitsnet dat door een aardlekschakelaar met een schakelstroom van niet meer dan 30 mA beveiligd is.

Overige risico's

Draag, als u de bladen vervangt, beschermende handschoenen om verwondingen te voorkomen.

Vervoer

De oorspronkelijke verpakking moet worden gebruikt als de grasmaaier over een langere afstand vervoerd wordt.

Veilig vervoer van en naar het werkgebied:

- a) Druk op de knop STOP om de maaier te stoppen.
U geeft de volledige PIN-code van vier cijfers als u de maaier voor het eerst start.
- b) Schakel de automatische grasmaaier altijd uit als u van plan bent om de grasmaaier te dragen.
- c) Draag de maaier bij het handvat aan de achterkant, onder de maaier. Draag hem met de messen van uw lichaam afgekeerd.

RF vereisten van blootstelling

Om te voldoen aan de RF vereisten van blootstelling, dient een afstand van 200mm of meer tussen de persoon en het toestel te worden gehouden, wanneer het toestel in werking is.

Om ervoor te zorgen dat de regels worden nageleefd, is het niet aangeraden om te werken met een kleinere afstand. De antenne die gebruikt wordt voor deze zender mag zich niet in dezelfde locatie als andere antennes of zenders bevinden.

Dit is een apparaat van klasse III en mag alleen worden gevoed met extra lage veiligheids spanning die overeenkomt met de markering op het apparaat.

Onderhoud

- 1) Vervang dezelfde onderdelen voor onderhoud door bevoegd onderhoudspersoneel. Dit zorgt ervoor dat de apparatuur veilig wordt bewaard.
- 2) Repareer geen beschadigde batterijen. De batterij kan alleen worden gerepareerd door de fabrikant of de leverancier van de geautoriseerde service.

Veiligheidsvoorschriften voor de accu in het apparaat

- a) Batterijcellen en accupacks mogen niet gedemonteerd, geopend of vernietigd worden.
- b) Sluit accupacks niet kort. Bewaar accupacks niet willekeurig in een doos of lade waar ze elkaar kunnen kortsluiten of door geleidende voorwerpen kortgesloten kunnen worden. Houd het accupack op een afstand van andere metalen voorwerpen als paperclips, muntstukken, sleutels, nagels, schroeven en andere kleine metalen voorwerpen die de contacten van de accupack kunnen verbinden. Kortgesloten contacten van accupacks kunnen brandwonden of brand veroorzaken.
- c) Stel accupacks niet bloot aan warmte of vuur. Vermijd opslag in direct zonlicht.
- d) Stel accupacks niet bloot aan mechanische schokken.
- e) Als een accu lekt dient men voorzichtig te zijn dat de vloeistof niet in contact komt met de huid of de ogen. Als dat toch gebeurt spoelt men de huid onder stromend water en raadpleegt men een arts.
- f) Raadpleeg meteen een arts wanneer een batterij of accupack is ingeslikt .
- g) Houd batterijcellen en accupacks schoon en droog.
- h) Laad alleen op met een lader met de technische gegevens van Kress. Gebruik geen andere lader dan de lader die specifiek voor dat doel met de apparatuur is meegeleverd.
- i) Gebruikt geen accupack dat niet bedoeld is voor gebruik met deze apparatuur.
- j) Houd accupacks buiten het bereik van kinderen.
- k) Bewaar de oorspronkelijke instructies van het product voor latere gebruik.
- l) Volg de juiste procedure voor afvalverwijdering na afdanken van dit apparaat.
- m) Gebruik geen batterijen van verschillende

fabricage, capaciteit, grootte of soort in het apparaat.

- n) **Waarschuwing! Gebruik geen niet-oplaadbare batterijen.**

Gebruikershandleiding voor vereisten van snoerloze producten

- a) Het gebruik van dit apparaat is onderhevig aan de volgende twee voorwaarden:
 - (1) Dit apparaat mag geen schadelijke storing veroorzaken, en
 - (2) dit apparaat moet alle ontvangen storing aanvaarden, met inbegrip van storing die ongewenste werking kan veroorzaken.
- b) Let op: Wijzigingen of aanpassingen aan dit apparaat die niet uitdrukkelijk zijn goedgekeurd door de instantie, die verantwoordelijk is voor de naleving, kunnen het recht van de gebruiker om het apparaat te bedienen tenietdoen.
- c) **OPMERKING:** Dit apparaat genereert, gebruikt en kan radiofrequentie-energie uitstralen en kan, indien niet volgens de instructies geïnstalleerd en gebruikt, schadelijke storing aan radiocommunicatie veroorzaken. Er is echter geen garantie, dat er in een bepaalde installatie geen storing zal optreden. Als dit apparaat schadelijke storing veroorzaakt aan de ontvangst van radio of televisie, hetgeen kan worden vastgesteld door het apparaat aan en uit te zetten, wordt de gebruiker aangeraden, te proberen deze storing te verhelpen door één of meerdere van de volgende maatregelen te nemen:
 - Heroriënteer of verplaats de ontvangstantenne.
 - Vergroot de afstand tussen de apparatuur en de ontvanger.
 - Sluit de apparatuur aan op een stopcontact van een ander circuit dan dat waarop de ontvanger is aangesloten.
 - Raadpleeg de leverancier of een ervaren radio/ tv-technicus voor hulp.

Symbolen



WAARSCHUWING –de Robotmaaier kan gevaarlijk zijn bij verkeerd gebruik. Lees de gebruiksaanwijzing grondig door en zorg ervoor dat u de inhoud begrijpt voordat u de Robotmaaier gebruikt.



WAARSCHUWING - Houd omstanders op afstand.



WAARSCHUWING – Schakel de aan-uitknop altijd uit voordat u aan de machine werkt of de machine optilt.



WAARSCHUWING –Rij niet op de machine.



Klasse III-apparaten



Afgedankte elektrische producten mogen niet bij het normale huisafval terechtkomen. Breng deze producten waar mogelijk naar een recyclecentrum bij u in de buurt. Vraag de verkoper of de gemeente informatie en advies over het recyclen van elektrische apparatuur.



Li-ion-accu. Dit product is gemarkeerd met een symbool dat 'gescheiden inzameling' voor alle accu's en accupacks betekent. Vervolgens worden ze gerecycled of gedemonteerd om de impact op het milieu te beperken. Accupacks kunnen gevaarlijk zijn voor het milieu en de menselijke gezondheid omdat ze gevaarlijke stoffen bevatten.



Niet in brand steken.



Als de batterij niet correct wordt gebruikt, kan deze de waterkringloop binnendringen, wat schade aan het ecosysteem kan veroorzaken. Gooi gebruikte batterijen niet weg als ongesorteerd gemeentelijk afval.



Reinig de machine niet met een hogedrukreiniger.



Lees de bedieningshandleiding

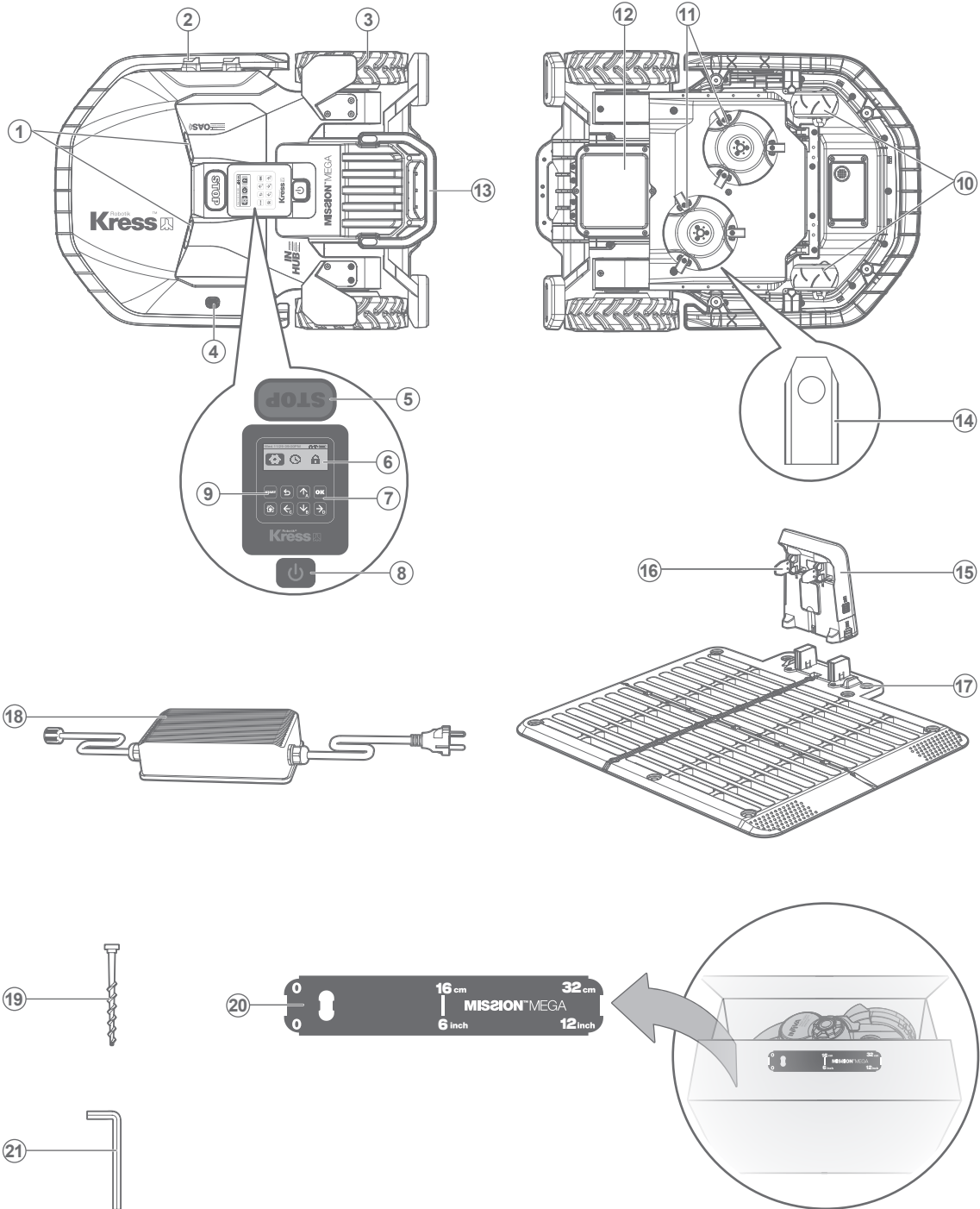


Afneembare voedingseenheid



Haal de machine niet zonder toestemming uit elkaar

Onderdelenlijst



- | | |
|----------------------------|---|
| 1. Ultrasoon sensor | 12. Batterij Pack* |
| 2. Oplaadstrips | 13. Omgaan met |
| 3. Achterste aandrijf wiel | 14. Snijmes |
| 4. Regen Sensor | 15. Oplaadstapel |
| 5. Stop knop | 16. Neem contact op met pinnen |
| 6. Scherm | 17. Oplaadstation |
| 7. Toetsenbord | 18. Oplader |
| 8. AAN / UIT SCHAKELAAR | 19. Bevestigingsnagels voor oplaadbasis |
| 9. START-toets | 20. Afstandsmeter grensdraad |
| 10. Voorwiel | 21. Inbussleutel |
| 11. Messenschijf | |

***Niet alle afgebeelde of beschreven toebehoren worden standaard meegeleverd.**

Technische gegevens voor maaier

Type **KR133E KR136E (100-199 - aanduiding van machinerie, kenmerkend voor robotgrasmaaier)**

	KR133E	KR136E
Nominaal vermogen	20V \equiv Max.*	
Toerental onbelast	2800/min	3200/min
Maaigebied	Rec. / max. gebiedsprestaties: 3000 m ² / 4400 m ²	Rec. / max. gebiedsprestaties: 6000 m ² / 6500 m ²
Snijdiameter	35 cm	
Maaihoogte	30-60 mm	
Maaien van hoog gras	5 mm	
Accutype	Lithium-ion	
Batterijmodel	KA3006	KA3010
Laadtijd Ongeveer	46 min.	77 min.
Model Lader	KA3717 / KA3817	
Lader gegevens	Lader primair: 100-240V~50/60Hz, 230W, Secundair: 28V, 7.0A	
Gewicht machine	19 kg	19.5 kg
Veiligheidsklasse	III	
App(Wi-Fi/Bluetooth)	Y	
Maximale helling in het werkoppervlak	45%	
Frequentiebanden voor Bluetooth (MHz)	2400-2483.5 MHz	
Maximaal uitgezonden vermogen voor Bluetooth (dBm)	8 dBm	
Frequentiebanden voor WIFI (MHz)	2400-2483.5 MHz	
Maximaal uitgezonden vermogen voor wifi (dBm)	20 dBm	

Frequentieband van het inductieve lussysteem	77 Hz
Maximaal RF-vermogen van het inductieve lussysteem	82 dB μ A/m

* Spanning gemeten zonder belasting. Beginspanning batterij bereikt maximum 20 volt. Nominale spanning is 18 volt.

Technische gegevens voor GeoTrace

Nominale spanning	5V \pm 5%
Werktemperatuur	-10°C ~ +72°C
Bewaartemperatuur	-20°C ~ +75°C

Band	Tx (MHz)	Rx (MHz)	Het maximum (EIRP) Zendvermogen (dBm)
EGPRS 900MHZ	880~915	925~960	30
EGPRS 1800MHZ	1710~1785	1805~1880	30
NB-IOT Band3	1710~1785	1805~1880	24
NB-IOT Band8	880~915	925~960	24
NB-IOT B20	832~862	791~821	24

89

NL

Geluids gegevens

	KR133E	KR136E
A-gewogen geluidsdruk	$L_{pA} = 46.72 \text{ dB (A)}, K_{pA} = 0.39 \text{ dB(A)}$	$L_{pA} = 46.5 \text{ dB (A)}, K_{pA} = 1.75 \text{ dB(A)}$
A-gewogen geluidsvermogen	$L_{wA} = 57.72 \text{ dB (A)}, K_{wA} = 0.39 \text{ dB(A)}$	$L_{wA} = 57.5 \text{ dB (A)}, K_{wA} = 1.75 \text{ dB(A)}$
Gebruik gehoorbescherming indien de geluidsdruk hoger is dan	80dB(A) 	

Het is onvermijdelijk dat de machine wat lawaai veroorzaakt. Voor luidruchtig werk is een vergunning vereist en het werk is gelimiteerd tot bepaalde periodes. Houd rusttijden aan en beperkt de werkuren tot een minimum. Draag passende gehoorbeschermers voor de persoonlijke bescherming en de bescherming van mensen die in de omgeving werken.

Toebehoren

Schroeven	18
Laagspanningskabel	1
Bevestigings schroeven voor laadstation	8
Inbussleutel	1
Afstand mal voor grensdraad	1
Messen	18
Accu(KA3006/KA3010)	1
Lader (KA3717/KA3817)	1

Wij adviseren u alle accessoires te kopen in de winkel waar u het gereedschap heeft gekocht. Kijk op de verpakking van het accessoire voor meer informatie. Ook het winkelpersoneel kan u helpen en adviseren.

Gebruik volgens bestemming

Dit product is bestemd voor het maaien van gazons (uitsluitend particulier gebruik). Hij is gemaakt om vaak te maaien en een gezonder en mooier gazon te maken. Afhankelijk van de grootte van uw gazon kan de Mission™ geprogrammeerd worden om op elk moment te werken. Het apparaat is niet bedoeld om er mee te graven, te vegen of sneeuw te ruimen.

90
NL

Onderhoud

De Mission™ moet af en toe gecontroleerd worden. De Mission™ werkt hard en heeft af en toe een schoonmaakbeurt nodig, waarbij onderdelen vervangen worden, want ze kunnen slijten. Gebruik nooit uw Mission™ met een defecte aan-/ uitschakelaar.

Schakel de machine voor het uitvoeren van reparaties en onderhoud.

Hieronder staat hoe u de Mission™ verzorgt.

1

Houd hem scherp

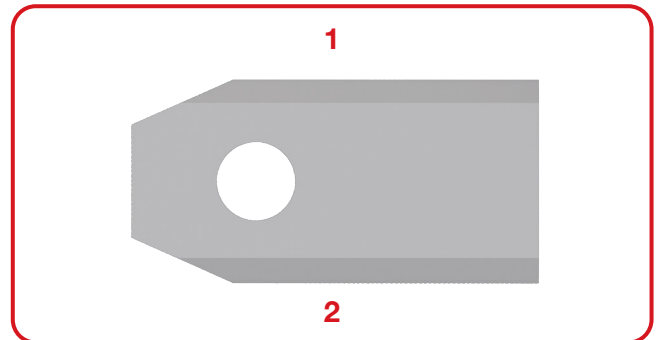


WAARSCHUWING: Zet uw Mission™ vóór reiniging, afstelling of vervanging van de bladen op OFF en trek veiligheidshandschoenen aan.



WAARSCHUWING: Vervangt u het mes, vervang dan alle messen tegelijk. Gebruik altijd nieuwe schroeven bij het inzetten van messen. Dit is belangrijk om intrekking van het blad te waarborgen en om de bladdraaischijf in balans te brengen. Het gebruik van oude schroeven kan tot ernstige verwonding leiden.

De Mission™ maait het gras niet zoals andere maaiers. De messen zijn aan 4 kanten scherp als een scheermes en draaien in beide richtingen voor de maximale snijcapaciteit. Elk mes van de Mission™ heeft 4 snijranden. De draaischijf voor de messen zal willekeurig naar voren of achteren draaien om 4 snijranden te gebruiken. Dat helpt om het aantal malen te minimaliseren dat een snijblad vervangen moet worden. Met het nieuwe materiaal zal de levensduur van elk mes 3 keer langer zijn dan die van andere merken messen per dag.. Controleer steeds of de messen niet beschadigd zijn en vervang ze zo nodig. Zijn de messen bot en versleten, dan moeten ze vervangen worden door de reservemessen die met de Mission™ geleverd zijn. U vindt ook reservemessen bij uw Kress-leverancier.



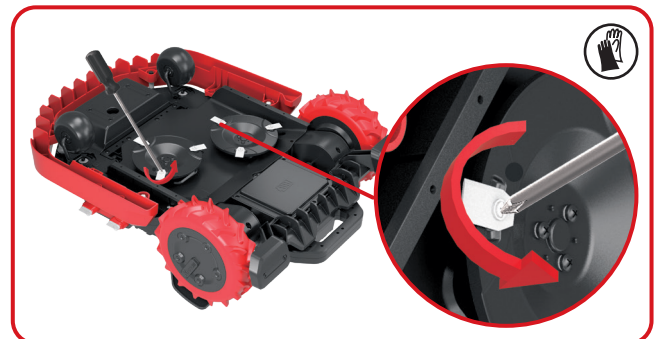
A. De messen vervangen

Gewoonlijk moeten de messen van uw Mission™ elke maand worden omgekeerd en elke 2 maanden worden vervangen. U kunt ze vervangen met een van de kits met reservemessen en extra schroeven die met de Mission™ geleverd zijn.

Voordat u begint met het vervangen van de messen van de Mission™, schakelt u de voeding uit en trekt u beschermende handschoenen aan. Ga dan als volgt te werk:



1. Keer de Mission™ voorzichtig om
2. Verwijder het batterijklepje en verwijder de batterij.
3. Haal de schroeven uit de messen met een schroevendraaier.
4. Schroef de nieuwe messen er stevig op.
5. Plaats de batterij en het batterijklepje opnieuw.

Belangrijk: Nadat u de messen aan de schijf heeft vastgeschroefd, controleert u of de messen vrij kunnen draaien.



2

Houd hem schoon

-  **WAARSCHUWING:** Zet uw uw Mission™ op OFF vóórdát u hem schoonmaakt. Draag beschermende handschoenen als u de schijf schoonmaakt en gebruik geen stromend water.
-  **WAARSCHUWING!** UW Mission™ kan alleen met een slang worden gereinigd! Gebruik GEEN hogedrukreiniger op Mission™. Water onder hoge druk kan het inwendige van de afdichting binnendringen en elektronische en mechanische onderdelen beschadigen.

A. Het lichaam schoonmaken

Als je Mission™ regelmatig wordt schoongemaakt, zal hij duurzamer zijn en langer meegaan. Aangezien uw Mission™ een motor is, moet u voorzichtig zijn bij het schoonmaken. Ondersteun de waterreiniging van de slang. Het is het beste om een spuitfles gevuld met water te gebruiken. Gebruik bij het reinigen van de behuizing een zachte borstel of een schone doek en vermijd het gebruik van oplosmiddelen of poetsmiddelen. Verwijder ten slotte al het opgehoopte grasresten en vuil.

B. De onderkant schoonmaken

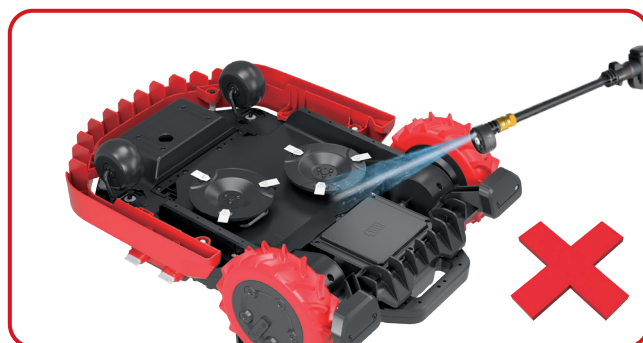
We herhalen het, het is belangrijk dat u de Mission™ uitschakelt met de Aan/uitknop en dat u beschermende handschoenen draagt voordat u de schijf aanraakt.

Keer de Mission™ eerst ondersteboven, zodat de onderkant zichtbaar wordt. U ziet de schijf, het chassis en de voorste wielen en de aandrijfwielen. Maak alles grondig schoon met een zachte doek of een zachte borstel.

Ondersteuning voor waterreiniging van de slang.

Draai aan de messenschijf om er zeker van te zijn dat deze vrij kan draaien. Controleer of de messen vrij draaien rondom de bevestigingsschroeven. Verwijder eventuele obstakels

BELANGRIJK: Verwijder vastzittend materiaal zodat het geen barst in de schijf kan veroorzaken. Zelfs een kleine barst kan de maaiprestaties van de Mission™ negatief beïnvloeden.



C. Maak de contactpinnen en de laad strips schoon

Maak de contactpin op het laadstation en de laadstrip op de Mission™ schoon met een doek. Verwijder restanten van gras en vuil rondom de contactpinnen en laad strips periodiek om zeker te weten dat de Mission™ elke keer goed kan worden opgeladen.

3

Levensduur van de batterij

Het hart van de Mission™ is een lithium-ion batterij van 20 volt. Voor de juiste opslag van de batterij zorgt u ervoor dat hij volledig opgeladen is en ligt op een droge plaats tussen 20°C ± 5°C.

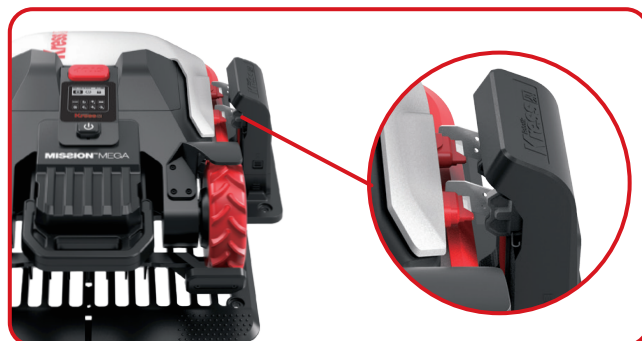
OPMERKING: De aanbevolen Mission™ bedrijfstemperatuur ligt tussen 0°C - 45°C.

De levensduur van de batterij van de Mission™ is van diverse factoren afhankelijk zoals:

- Hoe lang het maaiseizoen duurt in uw woonplaats
- aantal uren per dag dat de Mission™ maait
- Onderhoud van de batterij bij opslag.

Mission™ kan handmatig worden opgeladen zonder de begrenzingskabel.

1. Sluit het laadstation aan op een geschikte voedingsbron. Het groene lampje van het oplaadstation gaat branden.
2. Plaats de uitgeschakelde Mission™ handmatig in het laadstation.
3. Groene lampje van het oplaadstation knippert. De Mission™ begint te laden.



4

Winteropslag

De Mission™ leeft langer en blijft gezonder als u hem een goede winterslaap gunt. Hij is onverwoestbaar, maar hij slaapt in de winter toch liever in de schuur of in de garage.

Voordat u de Mission™ wegbrengt voor de winterslaap, zorgt u voor het volgende:

- Maak de Mission™ grondig schoon
- Laad de batterij volledig op
- Schakel de Mission™ uit

Om de levensduur van de batterij te verlengen, het is aan te bevelen de batterij volledig op te laden voor de winteropslag.

WAARSCHUWING: Bescherm de onderkant van Mission™ tegen water. Sla de Mission™ NOOIT ondersteboven.

Het grensdraad kan in de grond blijven liggen, maar de uiteinden moeten beschermd worden, bijvoorbeeld door de uiteinden in te vetten. Blijft het laadstation in de winter buiten, laat de grensdraad dan aangesloten.

OPMERKING: Neemt u de Mission™ na de winterslaap weer in gebruik, zorg er dan voor dat de laad strips en contactpinnen schoon zijn. Het is aan te bevelen ze schoon te maken met een fijne schuurdoek. Zorg er met behulp van de app voor dat de datum en de tijd juist zijn en laat Mission™ daarna weer doen wat het graag doet: maaien.

5

De batterij vervangen



WAARSCHUWING: Zet de Aan/uitschakelaar in de stand **UIT** voordat u begint met enige instelling, vervanging of reparatie.

Zet uw Mission™ vóór vervanging van de batterij op **OFF** en trek veiligheidshandschoenen aan.

Moet u de batterij vervangen, ga dan als volgt te werk:

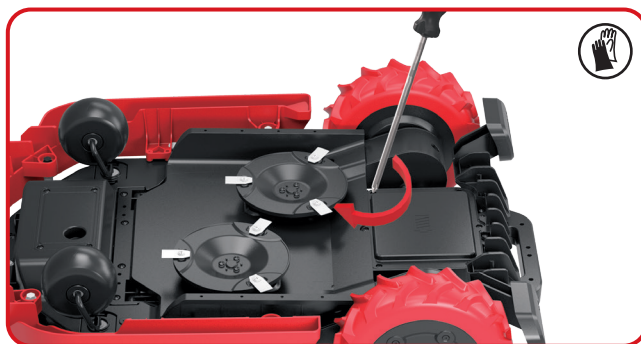
1. Keer de Mission™ voorzichtig om.
2. Draai de schroeven van de batterij los. Verwijder het batterijdeksel.



3. De stekker uit de connector trekken. Vervang de oude batterij door de nieuwe. Sluit vervolgens de connector aan.



4. Plaats het deksel terug op zijn plaats en maak het goed met schroeven vast.



Probleemoplossing bij installatie

Werkt de Mission™ niet goed, volg dan de gids voor het oplossen van problemen hieronder. Heft dat de storing niet op, neem dan contact op met de leverancier.

Problemen	Mogelijke oorzaken	Herstelhandeling
De led op het laadstation brandt niet.	Er is geen netvoeding.	Controleer of de stroomkabel correct op het oplaadstation is aangesloten en of de oplader op een geschikte voeding is aangesloten.
Het rode lampje van het oplaadstation gaat branden.	De grensdraad is niet aangesloten.	Controleer of de grensdraad correct is aangesloten op het oplaadstation. Controleer of de grensdraad geen breuken vertoont, vooral niet in de kabeluiteinden.
Uw Mission™ is binnen z'n grondgebied, maar het scherm zegt "buiten het werkgebied" en de LED is groen.	De grensdraadeinden zijn niet correct geplaatst.	Draai de uiteinden van de grensdraad om.
De Mission™ dokt niet goed in het laadstation	Omgevingsfactoren.	Installeer uw Mission™ opnieuw.
	Slechte verbinding door vuil op de laadstrip.	Reinig de contactstrip van het laadstation en de oplaadstrip op de Mission™ met een doek.
De Mission™ beweegt buiten de grensdraad. De Mission™ maait een gebied binnen de grensdraad niet. De Mission™ keert om of draait onregelmatig in de buurt van de grensdraad.	De begrenzingskabel van een andere Mission™ of robotmaaier van een ander merk bevindt zich te dicht in de buurt.	Zorg voor minstens 1 meter afstand tussen de begrenzingskabel van uw Mission™ en andere begrenzingskabels in de buurt.
	De begrenzingskabel is geïnstalleerd met scherpe hoeken.	Controleer de begrenzingskabel en zorg ervoor dat alle hoeken gerond zijn.
	Onder natte omstandigheden kan het elektrische signaal op de grensdraad weglekken op plaatsen waar de draad verbonden of gerepareerd is.	Controleer de grensdraadverbindingen. Isoleer de draad voor een volledig waterdichte verbinding.
	Er is een lekkage van het elektrische signaal op de grensdraad vanwege defecte isolatie.	Herstel beschadigde begrenzingsdraad met aansluitingen.
	Het maaigebied is groter dan het toegestane maaigebied voor de Mission™.	Het snijdgebied verkleinen.
De Mission™ verlaat het afgebakende gebied door een te hoge snelheid tijdens het afdalen van een helling.	De grensdraad is geplaatst op een helling die steiler is dan 17% (10°).	Verplaats de grensdraad op een helling die minder steil is dan 17% (10°).

De locatie van de Mission™ kan niet nauwkeurig worden weergegeven in de app of de locatie kan niet worden gedetecteerd.	GPS-signalen worden beïnvloed door het weer of door enige storing.	1. Controleer en bevestig: Mission™ staat niet ondersteboven of opzij; Mission™ wordt niet gedekt door bepaalde metalen voorwerpen. 2. Breng Mission™ naar een open gebied waar u een bewegend signaal kunt krijgen.
	U gebruikt niet de nieuwste versie van de Mission™-app.	Werk de Mission™-app bij naar de nieuwste versie.
Mission™ zal niet waarschuwen wanneer het zich buiten de Geo-omheining bevindt.	De Mission™-software is niet up-to-date.	Werk de Mission™-software bij voordat u de GeoTrace gebruikt.
	Er is een klein tolerantiegebied direct buiten de ingestelde omtrek voor de GeoTrace.	Breng de Mission™ uit tolerantie (ongeveer 30 meter van de Geo-omheining) en controleer of de GeoTrace werkt.
	De GeoTrace is uitgeschakeld.	Zet de Mission™ aan en laad hem indien nodig op. Als u niet hoeft op te laden, kunt u de FindMyMission™-GeoTrace opladen met een Mission™ PowerShare-batterij. (De GeoTrace heeft een interne batterij die een week na het uitschakelen van de machine meegaat).
	De geofence is niet ingesteld of de straal van de geofence is niet ingesteld.	Gebruik de Mission™-app om het correct in te stellen.
	Mission™ is uitgeschakeld.	In dit geval wordt de waarschuwing 10 minuten nadat de Mission™ naar de Geo-afrastering is gebracht, verzonden.
Mission™ is nog steeds geldig buiten de Geo Fence.	De geofence is niet ingesteld of de straal van de geofence is niet ingesteld.	Gebruik de Mission™-app om het correct in te stellen.
	Geo Fence is niet ingeschakeld.	

Mission™ werkt prima, maar communicatie tussen Mission™ en smartphone werkt niet.	De dekking van de mobiele netwerkGeoTrace is zwak.	Zorg ervoor dat je een zwak signaal hebt. Als dat zo is, ga dan naar het gebied met een goed signaal.
	De GeoTrace is beschadigd.	Neem contact op met een dealer en laat het goed controleren.
	De Mission™-software is niet up-to-date.	Werk de Mission™-software bij.
	De Mission™app moet worden bijgewerkt.	Werk de Mission™-software bij voordat u de GeoTrace gebruikt.
	De SIM-GeoTrace is niet geactiveerd.	Zorg ervoor dat je de SIM-kaart hebt geactiveerd door de stappen in de Mission™ App te volgen voordat je het voor de eerste keer gebruikt.
	De GeoTrace is niet goed verbonden Mission™	Contact opnemen met de dealer. Klik om te controleren of de GeoTraceconnector goed is geplaatst.
	Mission™ heeft geen stroom.	Controleer of het Mission™-scherm verlicht is. Als dit niet het geval is, brengt u de Mission™ naar het oplaadstation om het op te laden of om een noodprogramma op te starten om het op te laden.
	De abonnementskosten voor SIMkaarten zijn verlopen.	Na het verstrijken van de periode moet deze worden verlengd.
Mission™ implementeert geen realtime positionering of de locatie van Mission™ kan niet in realtime worden bijgewerkt.	De GeoTrace is ontworpen om elke 10 minuten de positionering bij te werken voor energiebesparing. Wanneer Mission™ een laag stroomverbruik heeft, zal de update-tijd voor de positionering langer zijn.	Dit is normaal. Er is geen actie vereist.
	Als de Mission™ meer dan 24 uur is uitgeschakeld op het geo-opslaghek, wordt de GeoTrace automatisch en zonder GPS-signaal uitgeschakeld.	

NOTITIE:

1. De batterijGeoTrace moet worden vervangen door de service agent.
2. Zorg ervoor dat de Mission™ regelmatig wordt opgeladen tijdens opslag en het wordt aanbevolen om deze elke 6 maanden te gebruiken
3. De GeoTrace moet worden hersteld zodra de SIM-abonnementskosten verlopen.

Bescherming van het milieu



Afgedankte elektrische producten kunt u niet met het normale huisafval weggoaien. Breng deze producten, indien mogelijk, naar een recyclecentrum bij u in de buurt. Vraag de verkoper of de gemeente naar informatie en advies over het recyclen van elektrische producten.

Conformiteitverklaring

Wij,
Positec Germany GmbH
Postfach 32 02 16, 50796 Cologne, Germany

Namens Positec verklaar ik dat het product,
Beschrijving **Robotgrasmaaier**
Type **KR133E KR136E (100-199 - aanduiding van machinerie, kenmerkend voor Robotgrasmaaier)**
(Jaar, artikelnummer en maand van het serienummer staan vermeld op de achterflap. Het gehele serienummer is duidelijk aangegeven op de behuizing van de gazonmaaier) met acculader KA3717/KA3817 en oplaadbasis KA0072/KA0073
Functie **gras maaien**

Overeenkomt met de volgende richtlijnen,
2006/42/EC, 2014/30/EU, 2014/35/EU, 2011/65/EU&(EU)2015/863, 2000/14/EC gewijzigd door 2005/88/EC, 2014/53/EU

2000/14/EC gewijzigd door 2005/88/EC
- Procedure beoordeling conformiteit volgens
- Niveau gemeten geluidsvermogen
- Opgegeven, gegarandeerde niveau geluidsvermogen

KR133E
Annex V
57.72 dB (A)
59 dB (A)

KR136E
Annex V
57.5 dB (A)
59.3 dB (A)

De aangemelde instantie Intertek, Semko AB, NB-Nr. 0413 heeft een EU-typeonderzoek uitgevoerd overeenkomstig Richtlijn 2014/53/EU en het volgende certificaat van EU-typeonderzoek afgegeven: SE-RED-2200106

GeoTrace:

De betrokken aangemelde instantie
Naam: TIMCO ENGINEERING, Inc (aangemelde instantie CE1177)
Adres: 849 NW State Road 45, Newberry, Florida 32669, USA

98

NL

Standards in overeenstemming met,
Voor grasmaaier: EN 50636-2-107:2015+A1:2018+A2:2020+A3:2021, EN 60335-1:2012+A11:2014+A13:2017+A1:2019+A2:2019+A14:2019+A15:2021, EN IEC 62311:2020, EN IEC 55014-1:2021, EN IEC 55014-2:2021, EN IEC 61000-3-2:2019+A1:2021, EN 61000-3-3:2013+A1:2019+A2:2021
Voor inductielussysteem: EN 303 447 V1.1.1
Voor ultrasone module: EN 55011:2016+A11:2020
Voor Bluetooth & WIFI-module (2.4G): EN 301 489-1 V2.2.3, EN 301 489-17 V3.2.4, EN 300 328 V2.2.2
Voor 4G+GPS-module: EN 301 489-1 V2.2.3, EN 301 489-19 V2.1.1, EN 301 489-52 V1.2.1, EN 301 511 V12.5.1, EN 301 908-1 V13.1.1, EN 301 908-13 V13.1.1, EN 303 413 V1.1.1
Voor oplader: EN IEC 55014-1:2021, EN IEC 55014-2:2021, EN IEC 61000-3-2:2019+A1:2021, EN 61000-3-3:2013+A1:2019+A2:2021, EN IEC 60335-2-29:2021+A1:2021, EN 60335-1:2012+A11:2014+A13:2017+A1:2019+A2:2019+A14:2019+A15:2021, EN 62233:2008
Voor lawaai: EN ISO 3744:2005
Voor RoHS: EN IEC 63000:2018

De persoon die bevoegd is om het technische bestand te compileren,

Naam **Marcel Filz**
Adres **Positec Germany GmbH Postfach 32 02 16, 50796 Cologne, Germany**




2023/09/19
Allen Ding
Plaatsvervangend Chief Ingenieur, Testen en Certificering
Positec Technology (China) Co., Ltd.
18, Dongwang Road, Suzhou Industrial
Park, Jiangsu 215123, P. R. China

Użytkownicy mogą zapoznać się z elektronicznymi instrukcjami na stronie <https://www.kress.com/en/>.

Bezpieczeństwo Produktu

Ogólne i dodatkowe instrukcje bezpieczeństwa

 **OSTRZEŻENIE:** Należy przeczytać wszystkie ostrzeżenia bezpieczeństwa i instrukcje. Nieprzestrzeganie ostrzeżeń i instrukcji może spowodować porażenie prądem, pożar i/lub poważne obrażenia.

Należy dokładnie przeczytać instrukcje dotyczące bezpiecznego użytkowania urządzenia.

Zachować wszystkie ostrzeżenia i instrukcje na przyszłość.

- Niniejsze urządzenie nie jest przeznaczone do użytku przez osoby (wliczając w to dzieci) z obniżonymi zdolnościami fizycznymi, sensorycznymi lub umysłowymi oraz nieposiadające doświadczenia i wiedzy na temat urządzenia, chyba że zostaną będą one nadzorowane lub zostaną poinstruowane w zakresie obsługi urządzenia przez osobę odpowiedzialną za ich bezpieczeństwo.
- Należy zadbać o to, by dzieci nie bawiły się urządzeniem.
- Baterię w tym urządzeniu może wymieniać tylko wykwalifikowany personel.
OSTRZEŻENIE: Do ładowania baterii używaj wyłącznie wymiennego zasilacza dostarczonego z urządzeniem.

**WAŻNE
PRZECZYTAĆ DOKŁADNIE PRZED
KORZYSTANIEM
ZACHOWAĆ NA PRZYSZŁOŚĆ**

Bezpieczne praktyki używania Przeszkolenie

- Dokładnie przeczytać instrukcje. Upewnić się, że są one zrozumiałe oraz zaznajomić się z przyciskami sterowania i zasadami prawidłowego korzystania z urządzenia.
- Z urządzenia nie mogą korzystać osoby nieobeznane z niniejszymi instrukcjami lub dzieci. Miejscowe przepisy mogą ograniczać wiek osoby uprawnionej do korzystania z urządzenia;
- Operator lub użytkownik urządzenia ponoszą odpowiedzialność za zagrożenia powstałe dla

osób trzecich lub ich mienia.

Przygotowanie

- Upewnić się, że przewód graniczny jest zainstalowany prawidłowo, zgodnie z instrukcjami.
- Regularnie sprawdzać obszar, w którym urządzenie ma być stosowane oraz usuwać wszystkie kamienie, patyki, druty, kości i inne ciała obce.
- Przeprowadzać regularne inspekcje wzrokowe ostrzy, trzpieni i zespołu tnącego pod kątem zużycia lub uszkodzenia. Wymieniać zużyte lub uszkodzone ostrza i trzpienie w zestawach w celu zachowania wyważenia urządzenia.
- W przypadku urządzeń z wieloma narzędziami tnącymi należy zachować ostrożność, ponieważ ruch jednego ostrza może doprowadzić do rotacji pozostałych ostrzy.
- OSTRZEŻENIE!** Nie należy korzystać z robota do koszenia trawy bez założonej osłony.

Korzystanie z urządzenia

1. Informacje ogólne

- Nigdy nie należy używać urządzenia z uszkodzonymi osłonami lub bez elementów zabezpieczających, np. deflektorów;
- Nie umieszczać rąk lub stóp w pobliżu obracających się części lub pod nimi. Zawsze trzymać się z dala od otworu wylotowego.
- Nigdy nie podnosić ani nie przenosić urządzenia, gdy silnik pracuje.
- Uruchomić mechanizm wyłączający urządzenia:
 - Przed usuwaniem blokady;
 - Przed sprawdzaniem, czyszczeniem lub wykonywaniem prac na urządzeniu;
 - Po uderzeniu w obcy przedmiot sprawdzić maszynę pod kątem uszkodzeń;
 - Jeśli maszyna zaczyna nienormalnie wibrować, należy sprawdzić, czy nie jest uszkodzona przed ponownym uruchomieniem.
- Dokonywanie zmian w konstrukcji robota do koszenia trawy jest niedozwolone. Wszelkie modyfikacje wykonywane są na ryzyko użytkownika.
- Robotado koszenia trawy należy uruchamiać zgodnie z instrukcjami. Po włączeniu zasilania kosiarki dłoni ani stóp nie wolno zbliżać do obrotowych noży. Nigdy nie należy umieszczać rąk lub nóg pod robotem.
- Kosiarki automatycznej, w której włączono zasilanie, nie wolno podnosić ani przenosić w inne miejsce.
- Nie dopuszczać do korzystania z robota osób, które nie są obeznane ze sposobem jej pracy i


zachowania.

- i) Nie umieszczać żadnych przedmiotów na robocie lub stacji ładowania.
- j) Nie korzystać z robota do koszenia trawy w przypadku wadliwej tarczy tnącej lub korpusu. Nie należy również korzystać z robota w przypadku wadliwych ostrzy, śrub, nakrętek lub przewodów.
- k) Gdy robot nie będzie używany, należy zawsze wyłączać go przy użyciu głównego włącznika. Kosiarkę automatyczną można uruchomić wyłącznie po włączeniu zasilania i wpisaniu poprawnego kodu PIN.
- l) Zabrania się zbliżania kończyn (ręce oraz nogi) do łopatek wirujących. Nigdy nie wkładać rąk lub stóp pod pracującą lub włączoną kosiarkę.
- m) Unikać używania urządzenia i wyposażenia dodatkowego w złych warunkach pogodowych, zwłaszcza gdy istnieje ryzyko wyładowań atmosferycznych.
- n) Nie dotykać poruszających się części, zanim nie zatrzymają się całkowicie.
- o) **W przypadku urządzeń wykorzystywanych w miejscach publicznych, oznaczenia ostrzegawcze powinny być ustawiane wokół obszaru pracy maszyny. Powinny one zawierać następujący tekst:**
Ostrzeżenie! Automatyczna kosiarka! Nie podchodzić do maszyny! Pilnować dzieci!

2. Ponadto, gdy narzędzie pracuje w trybie automatycznym

- a) Nie należy zostawiać pracującego urządzenia bez nadzoru wiedząc, że w pobliżu znajdują się zwierzęta domowe, dzieci lub inne osoby.

Konserwacja i przechowywanie

 **OSTRZEŻENIE!** Przed odwróceniem kosiarki do góry kołami należy wyłączyć zasilanie.

Podczas prac związanych z podwoziem kosiarki, na przykład czyszczenia lub wymiany noży, zasilanie musi być wyłączone.

- a) Wszystkie nakrętki, trzpienie i śruby muszą być dokręcone, aby upewnić się, że urządzenie jest w bezpiecznym stanie.
- b) Sprawdzać stan robota do koszenia trawy co tydzień i wymieniać zużyte lub uszkodzone części w celu zachowania bezpieczeństwa.
- c) Należy w szczególności sprawdzać ostrza i tarczę tnącą pod kątem uszkodzeń. W razie konieczności wszystkie ostrza i śruby należy wymieniać w tym samym czasie, aby zachować wyważenie części obrotowych.
- d) Upewnić się, iż użyto właściwego rodzaju

zamiennych części tnących.

- e) Upewnić się, że akumulatory są ładowane przy użyciu odpowiedniej ładowarki zalecanej przez producenta. Nieprawidłowe zastosowanie może spowodować porażenie prądem, przegrzanie lub wyciek płynu korozyjnego z akumulatora.
- f) W przypadku wycieku elektrolitu z akumulatora należy przepłukać miejsce wodą/środkiem neutralizującym, a w przypadku, gdy elektrolit wejdzie w kontakt z oczami, itp., należy zasięgnąć pomocy lekarskiej.
- g) Urządzenie powinno być serwisowane zgodnie z instrukcjami producenta.

Zalecenie

Urządzenie oraz wyposażenie dodatkowe podłączać wyłącznie do układu elektrycznego wyposażonego w ochronę za pomocą wyłącznika różnicowoprądowego, z prądem zadziałania nie większym niż 30 mA.

Ryzyko

Podczas wymiany ostrzy używać rękawic ochronnych.

Transport

Do transportu robota do koszenia trawy na duże odległości należy zastosować oryginalne opakowanie.

W celu bezpiecznego przeniesienia z miejsca pracy lub w jego obrębie:

- a) Nacisnąć przycisk STOP w celu zatrzymania robota.
4-cyfrowy kod PIN jest wybierany podczas pierwszego uruchomienia robota.
- b) Zawsze wyłączać robota do koszenia trawy, gdy ma być przenoszony.
- c) Robota należy przenosić trzymając za uchwyt znajdujący się pod tylną częścią robota.
Robota należy przenosić trzymając tarczę tnącą z dala od ciała.

Wymagania dotyczące narażenia na RF

Aby spełnić wymagania dotyczące narażenia na RF, należy zachować odległość min. 200mm lub więcej między urządzeniem i osobami podczas pracy maszyny. Dla zapewnienia zgodności, nie zaleca się pracy w odległości mniejszej niż wskazana powyżej. Antena stosowana w tym przełączniku nie może być ustawiona równocześnie z żadną inną anteną lub przełącznikiem.

Jest to urządzenie klasy III i może być zasilane wyłącznie bezpiecznym bardzo niskim napięciem, odpowiadającym oznaczeniu na urządzeniu.

Utrzymanie

- 1) **Wymień te same części na wykwalifikowany personel serwisowy.** Zapewni to bezpieczeństwo sprzętu.
- 2) **Nie naprawiaj uszkodzonych akumulatorów.** Baterię może naprawić tylko producent lub dostawca autoryzowanego serwisu.

Ostrzeżenia bezpieczeństwa dotyczące akumulatora wewnątrz urządzenia.

- a) **Nie demontuj, nie otwieraj lub nie niszczy ogniw pomocniczych lub modułu akumulatora.**
- b) **Nie zwieraj ogniwa lub modułu akumulatora. Nie przechowuj ogniw lub modułu akumulatora w sposób bezładny w pudle lub szufladzie, gdzie mogą się wzajemnie zewrzeć lub ulec zwarcia przez inne metalowe przedmioty.** Nie używany akumulator należy trzymać z daleka od spinaczy, monet, kluczy, gwoździ, śrub lub innych małych przedmiotów metalowych, które mogłyby spowodować zmostkowanie kontaktów. Zwarcie pomiędzy kontaktami akumulatora może spowodować oparzenia lub pożar.
- c) **Nie narażaj ogniw lub modułu akumulatora na działanie ciepła lub ognia. Unikaj składowania w miejscach pod bezpośrednim działaniem światła słonecznego.**
- d) **Nie narażaj ogniw lub modułu akumulatora na uderzenia mechaniczne.**
- e) **W razie wycieku z ogniwa, nie dopuść, aby płyn zetknął się ze skórą lub dostał się do oczu. Jeśli już nastąpił kontakt z płynem, przemyj skażoną powierzchnię dużą ilością wody i zwróć się o pomoc medyczną.**
- f) **Nie używaj ogniwa lub modułu akumulatora nie przeznaczonego do pracy z danym urządzeniem.**
- g) **Utrzymuj ogniwa i moduł akumulatora w czystości i w stanie suchym.**
- h) **Akumulatory należy ładować tylko w ładowarkach, które poleci producent Kress.**
- i) **Nie używaj ogniwa lub modułu akumulatora nie przeznaczonego do pracy z danym urządzeniem.**
- j) **Trzymaj ogniwa i moduł akumulatora poza zasięgiem dzieci.**
- k) **Zachowaj oryginalne instrukcje produktu**

do wglądu.

- l) **Zużyte ogniwa i akumulatory utylizuj zgodnie z zasadami gospodarki odpadami.**
- m) **Nie mieszaj w urządzeniu baterii o różnej produkcji, pojemności, rozmiarze lub typie.**
- n) **Ostrzeżenie! Nie próbuj ładować baterii nieładownych.**

Wymagania dla produktu bezprzewodowego według instrukcji

- a) Działanie tego urządzenia podlega następującym dwóm warunkom:
 - (1) To urządzenie nie może wytwarzać szkodliwych zakłóceń i
 - (2) to urządzenie musi być odporne na odbierane zakłócenia, łączenie z tymi, które powodują niepożądane działanie.
- b) **Ostrożnie:** Zmiany lub modyfikacje w tym urządzeniu, które nie są jawnie zaaprobowane przez stronę odpowiedzialną za zgodność, mogą unieważnić uprawnienie użytkownika do używania sprzętu.
- c) **WSKAZÓWKA:** Ten sprzęt wytwarza, wykorzystuje i może promieniować energię o częstotliwości radiowej, i - o ile nie jest zainstalowane i używane zgodnie z instrukcją - może powodować szkodliwe zakłócenia w łączności radiowej. Jednakże, nie ma gwarancji, że w konkretnej instalacji zakłócenia nie wystąpią. Jeżeli ten sprzęt powoduje szkodliwe zakłócenia w odbiorze radiowym lub telewizyjnym, co można ustalić wyłączając i włączając go, zachęca się użytkownika do próby skorygowania problemu przez jeden z następujących środków:
 - Reorientacja lub relokacja anteny odbiorczej.
 - Zwiększenie odległości między sprzętem i odbiornikiem.
 - Podłączenie sprzętu do gniazdka w innym obwodzie niż ten, z którym połączony jest odbiornik.
 - W kwestii pomocy skonsultuj się ze sprzedawcą lub doświadczonym technikiem radiowym/TV.

Symbole



OSTRZEŻENIE – robot do koszenia trawy może być niebezpieczny w przypadku niewłaściwego użytkowania. Przed przystąpieniem do użytkowania robota do koszenia trawy należy dokładnie przeczytać i zrozumieć tekst Instrukcji obsługi.



OSTRZEŻENIE - Zachować bezpieczną odległość od urządzenia podczas jego pracy.



OSTRZEŻENIE –Przed przystąpieniem do prac na urządzeniu lub jego podnoszeniem należy je wyłączyć.



OSTRZEŻENIE –Nie jeździć na urządzeniu.



Urządzenie klasy III



Odpady wyrobów elektrycznych nie powinny być wyrzucane razem z odpadami gospodarstwa domowego. Należy korzystać z recyklingu, jeśli istnieje odpowiednia infrastruktura. Porady dotyczące recyklingu można uzyskać u władz lokalnych lub sprzedawcy detalicznego.



Bateria litowo-jonowa. Ten produkt oznaczono symbolem nakazującym „segregację” baterii i akumulatorów. Produkt zostanie poddany recyklingowi lub rozmontowany, aby zmniejszyć jego wpływ na środowisko. Akumulatory mogą być niebezpieczne dla środowiska i dla zdrowia ludzkiego, ponieważ zawierają niebezpieczne substancje.



Nie spalać.



W przypadku niewłaściwej obsługi akumulator może przedostać się do obiegu wody, co może spowodować uszkodzenie ekosystemu. Nie wyrzucaj zużytych baterii jako nieposortowanych odpadów komunalnych.



Nie myć maszyny myjką ciśnieniową.



Przeczytaj instrukcję obsługi

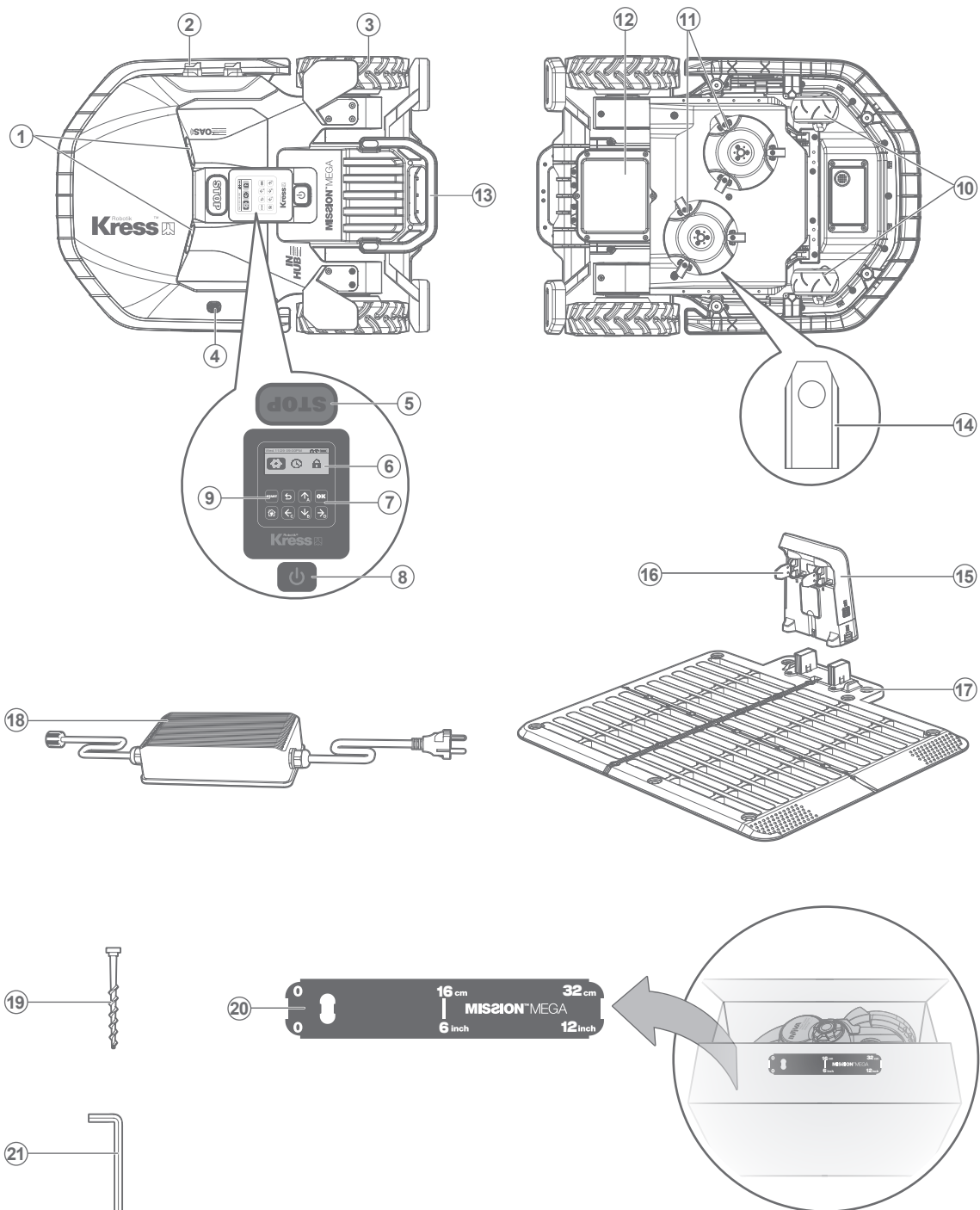


Wymowana jednostka zasilająca



Nie demontuj urządzenia bez zezwolenia

Lista części



- | | |
|-------------------------------|---|
| 1. Czujnik ultradźwiękowy | 12. Akumulator* |
| 2. Paski do ładowania | 13. Uchwyt |
| 3. Tylne koło napędowe | 14. Ostrze tnące |
| 4. Deszcz Czujnik | 15. Stos ładowania |
| 5. Przycisk STOP | 16. Piny kontaktowe |
| 6. Pokaz | 17. Baza ładująca |
| 7. Klawiatura | 18. Zasilacz |
| 8. Przełącznik Włącz / Wyłącz | 19. Gwoździe mocujące do podstawy ładującej |
| 9. Klawisz START | 20. Miernik odległości przewodu granicznego |
| 10. Przednie koło | 21. Klucz sześciokątny |
| 11. Tarcza obrotowa ostrza | |

* Nie wszystkie pokazane na ilustracji akcesoria są dostarczane standardowo.

Dane techniczne kosiarki

Typ KR133E KR136E (100-199 - oznaczenie maszyn zgodnych z robotem do koszenia trawy)

	KR133E	KR136E
Napięcie znamionowe	20V \equiv Max.*	
Prędkość na biegu jałowym	2800/min	3200/min
Powierzchnia koszenia	Rec. / maks. wydajność obszarowa: 3000 m ² / 4400 m ²	Rec. / maks. wydajność obszarowa: 6000 m ² / 6500 m ²
Średnica koszenia	35 cm	
Wysokość koszenia	30-60 mm	
Cięcie wysokich stopni	5 mm	
Typ akumulatora	Litowo-jonowa	
Model akumulatora	KA3006	KA3010
Czas ładowania Ok.	46 min.	77 min.
Model ładowarki	KA3717 / KA3817	
Moc znamionowa ładowarki	Wejściowa: 100-240V~50/60Hz, 230W, Wyjściowa: 28V, 7.0A	
Masa urządzenia	19 kg	19.5 kg
Stopień ochrony	III	
App(Wi-Fi/Bluetooth)	Y	
Maksymalne nachylenie terenu na obszarze roboczym	45%	
Pasma częstotliwości dla Bluetooth (MHz)	2400-2483.5 MHz	
Maksymalna moc przesyłana dla Bluetooth (dBm)	8 dBm	
Pasma częstotliwości dla WIFI (MHz)	2400-2483.5 MHz	

Maksymalna transmitowana moc dla WIFI (dBm)	20 dBm
Pasmo częstotliwości systemu pętli indukcyjnych	77 Hz
Maksymalna moc RF systemu pętli indukcyjnych	82 dB μ A/m

* Napięcie mierzone bez obciążenia. Początkowe napięcie akumulatora osiąga maksymalną wartość 20V. Napięcie nominalne wynosi 18V.


Dane techniczne dla geotracy

Napięcie znamionowe	5V \pm 5%
Temperatura robocza	-10°C ~ +72°C
Temperatura przechowywania	-20°C ~ +75°C

Pasmo	Tx (MHz)	Rx (MHz)	Maksymalna (EIRP) Transmitted Power (dBm)
EGPRS 900MHZ	880~915	925~960	30
EGPRS 1800MHZ	1710~1785	1805~1880	30
NB-IOT Band3	1710~1785	1805~1880	24
NB-IOT Band8	880~915	925~960	24
NB-IOT B20	832~862	791~821	24

105
PL

Hałas dane

	KR133E	KR136E
Poziom ciśnienia akustycznego	$L_{pA} = 46.72 \text{ dB (A)}, K_{pA} = 0.39 \text{ dB(A)}$	$L_{pA} = 46.5 \text{ dB (A)}, K_{pA} = 1.75 \text{ dB(A)}$
Poziom mocy akustycznej	$L_{wA} = 62.40 \text{ dB (A)}, K_{wA} = 0.39 \text{ dB(A)}$	$L_{wA} = 57.5 \text{ dB (A)}, K_{wA} = 1.75 \text{ dB(A)}$
Należy stosować ochronę uszu w przypadku, gdy ciśnienie akustyczne przekracza wartość	80dB(A) 	

Nie da się uniknąć pewnego hałasu wydawanego przez urządzenie. Przeprowadzanie hałaśliwych prac musi być objęte licencją i ograniczone w niektórych okresach. Należy zachować przerwy na odpoczynek oraz może zająć konieczność ograniczenia godzin pracy do minimum. W celu zapewnienia ochrony osobistej oraz ochrony osób pracujących w pobliżu, należy zastosować odpowiednią ochronę uszu.

Akcesoria

Śrub	18
Stacja ładowania	1
Śruby mocujące stacji ładowania	8
Klucz imbusowy	1
Miernik odległości przewodu granicznego	1
Ostrzy	18
Akumulator (KA3006/KA3010)	1
Ładowarka (KA3717/KA3817)	1

Zalecamy nabywanie oryginalnych akcesoriów podanych powyżej z tego samego sklepu, w którym dokonano zakupu narzędzia. Dalsze szczegóły można znaleźć an opakowaniu akcesoriów. Pracownicy sklepu mogą służyć pomocą i radą.

Użycie zgodne z przeznaczeniem

Niniejszy produkt przeznaczony jest do koszenia trawy w zakresie. Jest przeznaczony do częstego koszenia, zapewniając zdrowszy i lepiej wyglądający trawnik niż kiedykolwiek wcześniej. W zależności od wielkości trawnika, robota Mission™ można zaprogramować tak, aby pracował o dowolnej godzinie lub z dowolną częstotliwością. Urządzenie nie jest przeznaczone do prac wykopowych, zamiatania lub odgarniania śniegu.

106

PL

Konserwacja

Robot Mission™ musi być okresowo sprawdzany. Robot Mission™ pracuje ciężko i po pewnym czasie wymaga dokładnego czyszczenia, jak również wymiany części, które mogą ulec zużyciu. Zabrania się eksploatacji Mission™ jeżeli wyłącznik On/off jest uszkodzony.

Przed przystąpieniem do konserwacji lub prac serwisowych należy wyłączyć urządzenie. W tej części chcemy pokazać, w jaki sposób zadbać o swojego robota Mission™.

1

Zachowanie ostrości

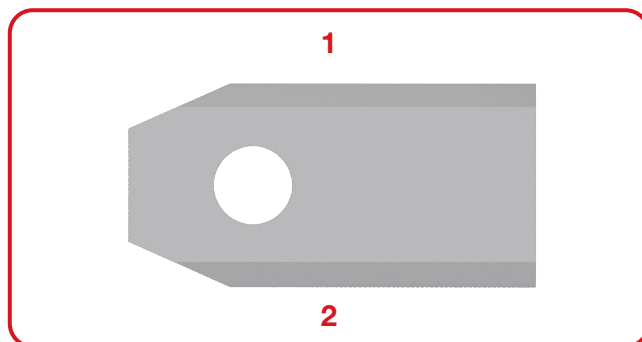


OSTRZEŻENIE: Przed przystąpieniem do regulacji lub wymiany ostrzy należy wyłączyć robota Mission™ oraz należy włożyć rękawice ochronne.



OSTRZEŻENIE: **OSTRZEŻENIE!** Przy wymianie ostrzy na nowe, należy wymienić **WSZYSTKIE** ostrza. Do mocowania ostrzy zawsze używać nowych śrub. Ważne do zapewnienia ostrości i wyważenia tarczy tnącej. Jeśli nie zostaną użyte nowe śruby, może to doprowadzić do poważnych obrażeń.

Robot Mission™ nie kosi trawy tak, jak inne kosiarki. Jego ostrza tnące są bardzo ostre na wszystkich 4 krawędziach i obracają się w obu kierunkach w celu uzyskania maksymalnej wydajności tnącej. Każde ostrze robota Mission™ posiada 4 krawędzie tnące. Tarcza tnąca będzie wykonywać rotację w przód lub w tył w przypadkowej kolejności, aby były użyte 4 strony ostrza. W ten sposób przyczynia się do zminimalizowania częstości wymiany ostrzy. Dzięki nowemu materiałowi żywotność każdego ostrza będzie 3 razy dłuższa niż w przypadku ostrzy innych marek dziennie. Należy zawsze sprawdzać ostrza pod kątem złamań lub uszkodzeń oraz wymienić je w razie potrzeby. W momencie stępienia i zużycia ostrzy tnących powinny one zostać wymienione na ostrza zapasowe dostarczone wraz z robotem Mission™. Zapasowe ostrza można nabyć również u najbliższego sprzedawcy sprzętu Kress.



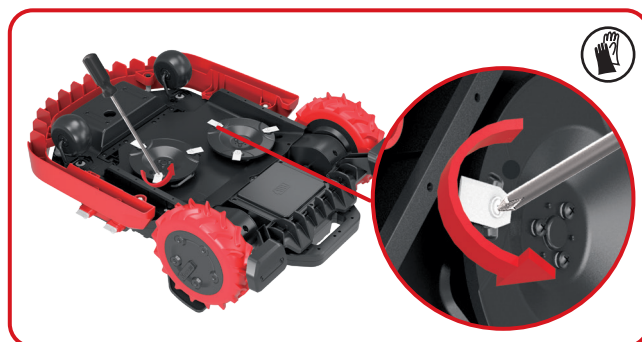
A. Wymiana ostrzy

W normalnych warunkach eksploatacji noże kosiarki Mission™ należy odwracać co miesiąc, a wymieniać co 2 miesiące. Tak więc wymieniając ostrza należy upewnić się, by były one wymienione wszystkie w tym samym czasie. Można wymienić je przy użyciu jednego z zapasowych zestawów ostrzy oraz dodatkowych śrub do ich mocowania, dostarczonych wraz z robotem Mission™.

Przed przystąpieniem do wymiany ostrzy w robocie Mission™ należy wyłączyć zasilanie i włożyć rękawice ochronne. Następnie należy wykonać następujące kroki:

1. Delikatnie odwrócić robota Mission™ do góry dnem.
2. Zdjąć pokrywę akumulatora i wyjąć akumulator.
3. Odkręcić śruby z ostrzy przy użyciu śrubokrętu.
4. Dokładnie dokręcić śruby na nowych ostrzach.
5. Ponownie włożyć akumulator i pokrywę.

Ważne: Po przykręceniu ostrza do tarczy ostrzy upewnić się, że ostrze obraca się swobodnie.



2

Zachowanie czystości

! **OSTRZEŻENIE:** Przed przystąpieniem do czyszczenia należy wyłączyć robota Mission™. Przed wyczyszczeniem tarczy tnącej włożyć rękawice ochronne i nie używać wody bieżącej.

! **OSTRZEŻENIE!** TWÓJ robot Mission™ można czyścić tylko za pomocą węża! NIE używaj myjki ciśnieniowej na Mission™. Woda pod wysokim ciśnieniem może dostać się do wnętrza uszczelnienia i uszkodzić części elektroniczne i mechaniczne.

A. Czyszczenie ciała

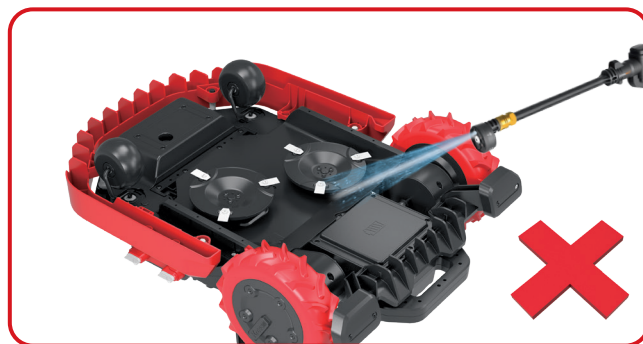
Jeśli Twoja Mission™ jest regularnie czyszczona, będzie szczęśliwsza, trwalsza i będzie żyła dłużej. Ponieważ Mission™ to silnik, należy zachować ostrożność podczas czyszczenia. Wspomaganie czyszczenia wodą węża. Najlepiej jest używać butelki z rozpylaczem wypełnionej wodą. Do czyszczenia korpusu używaj miękkiej szczotki lub czystej szmatki i unikaj używania rozpuszczalników lub past. Na koniec usuń wszystkie nagromadzone ścinki trawy i zanieczyszczenia.

B. Czyszczenie spodniej części

Należy pamiętać o wyłączeniu robota Mission™ oraz o włożeniu rękawic ochronnych przed dotknięciem tarczy tnącej.

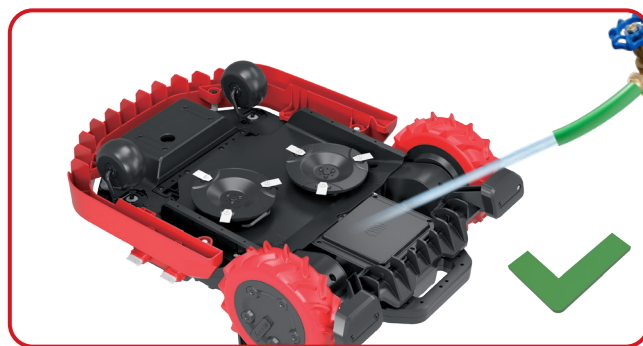
Najpierw należy odwrócić robota Mission™ dnem do góry w celu uzyskania dostępu do spodniej części. Dzięki temu można zobaczyć tarczę tnącą, podwozie oraz przednie koło i koło napędowe. Wyczyścić wszystko dokładnie przy użyciu miękkiej szczotki lub wilgotnej szmatki.

Wspomaganie czyszczenia wodą węża.



Obrócić tarczę tnącą w celu upewnienia się, że porusza się ona swobodnie. Upewnić się, że ostrza obracają się swobodnie wokół śrub mocujących. Usunąć wszelkie przeszkody.

WAŻNE: Usunąć wszelkie zgromadzone zabrudzenia, aby uniknąć pęknięcia tarczy ostrzy. Nawet najmniejsze pęknięcie może zmniejszyć wydajność koszenia robota Mission™.



C. Czyszczenie styków i taśm ładowania

Wyczyścić wtyk znajdujący się na stacji ładowania oraz taśmę ładowania umieszczoną na robocie Mission™ przy użyciu szmatki. Regularnie usuwać wszelkie nagromadzone ścinki trawy i zanieczyszczenia wokół wtyków oraz taśm ładowania w celu zapewnienia każdorazowego skutecznego ładowania robota Mission™.

3

Żywotność akumulatora

Sercem robota do koszenia trawy Mission™ jest akumulator litowo-jonowy 20 v. W celu zapewnienia odpowiednich warunków przechowywania akumulatora należy upewnić się, że jest on w pełni naładowany i trzymany w chłodnym, suchym miejscu (20°C ± 5°C).

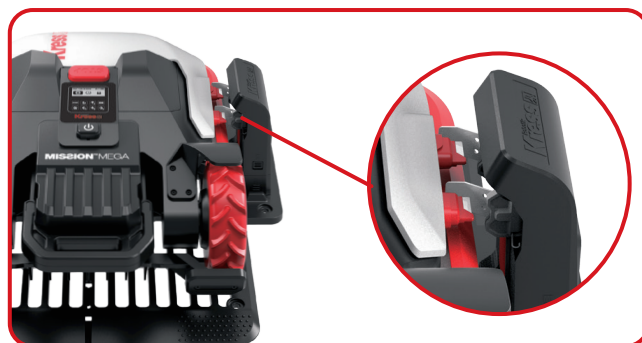
UWAGA: Zalecana temperatura robocza urządzenia Android® jest w zakresie 0°C - 45°C.

Żywotność robota do koszenia trawy Mission™ zależy od różnych czynników, takich jak:

- Długość sezonu koszenia w danym regionie.
- Liczba godzin jaką robot Mission™ kosi w ciągu dnia
- Konserwacja akumulatora podczas magazynowania.

Mission™ może być ładowany ręcznie bez przewodu granicznego.

1. Podłączyć stację ładowania do odpowiedniego źródła zasilania. Kontrolka ładowania stacji będzie świecić w zielonym kolorze.
2. Ręcznie zadokować robota Mission™ w stacji ładowania w momencie, gdy robot Mission™ jest wyłączony.
3. Zielone światło migoczące na stacji ładowania. Robot Mission™ rozpocznie ładowanie.



4

Przechowywanie w okresie zimowym

Żywotność robota Mission™ będzie dłuższa oraz będzie on w lepszym stanie, jeśli będzie przechowywany w okresie zimowym. Mimo, iż ciężko się w tym pogodzić, zalecamy przechowywanie robota Mission™ w szopie lub garażu podczas zimy.

Przed przygotowaniem robota Mission™ do zimowej hibernacji zalecamy:

- Dokładnie wyczyścić robota Mission™
- Naładować akumulator do pełna
- Wyłączyć zasilanie

W celu maksymalizacji żywotności akumulatora zaleca się jego pełne naładowanie przed przystąpieniem do przechowywania na okres zimy.

⚠ OSTRZEŻENIE: Dolną stronę robota Mission™ chronić przed kontaktem z wodą. **ZABRANIA SIĘ** składowania robota Mission™, odwróconego dolną osłoną w górę na zewnątrz ponieważ występuje ryzyko przedostania się wody do wnętrza urządzenia.

Przewód graniczny można zostawić w ziemi, lecz jego końcówki muszą być chronione, np. umieszczone w puszcze ze smarem. Jeśli stacja ładowania pozostanie na czas zimy, należy zostawić podłączony przewód graniczny.

UWAGA: Po przywróceniu robota Mission™ do pracy po okresie zimowym należy upewnić się, że taśmy ładowania i wtyki są czyste. W celu wyczyszczenia zaleca się zastosowanie drobnoziarnistego płótna szmerglowego. Korzystając z aplikacji, upewnij się, że ustawienie daty i godziny jest poprawne i wyślij Mission™ z powrotem do tego, co lubi robić: koszenie.

5

Wymiana akumulatora



OSTRZEŻENIE: Przed przystąpieniem do podłączeniem akcesoriów, wykonywaniem ustawień lub napraw należy wyłączyć urządzenie.

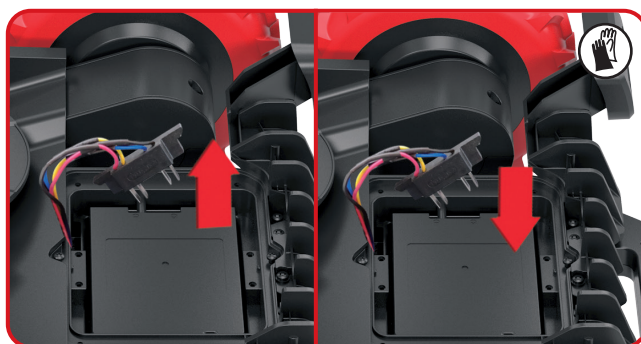
Przed przystąpieniem do regulacji lub wymiany ostrzy należy wyłączyć robota Mission™ oraz należy włożyć rękawice ochronne.

W przypadku konieczności wymiany akumulatora należy wykonać następujące kroki:

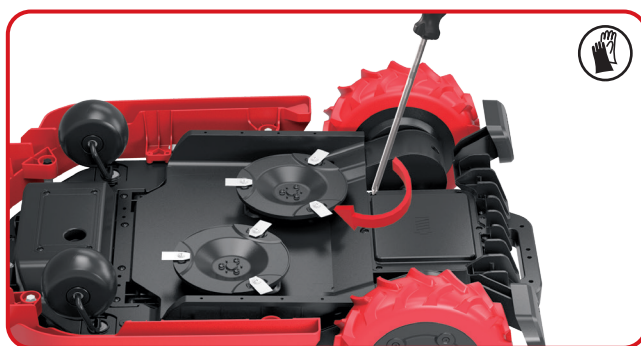
1. Delikatnie obrócić robota Mission™ do góry dnem.
2. Odkręcić śruby pokrywy pojemnika akumulatora. Zdjąć pokrywę pojemnika.



3. Odłącz złącze. Wymień starą baterię na nową. Następnie podłącz złącze.



4. Ponownie umieścić pokrywę pojemnika na akumulatorce i delikatnie dokręcić śruby.



Rozwiązywanie problemów

Jeśli robot Mission™ nie pracuje w prawidłowy sposób, należy postępować zgodnie z poniższą instrukcją rozwiązywania problemów. Jeśli usterka będzie się utrzymywać, należy skontaktować się ze sprzedawcą.

Oznaka	Przyczyna	Działanie
Dioda LED na stacji ładowania nie włącza się.	Brak zasilania.	Upewnić się, że przewód zasilania jest prawidłowo podłączony do ładowarki, a ładowarka jest podłączona do odpowiedniego źródła zasilania.
Czerwona dioda stacji ładowania włączy się.	Przewód graniczny nie jest podłączony.	Upewnić się, że przewód graniczny został prawidłowo podłączony do stacji ładowania. Upewnić się, że przewód graniczny nie jest przerwany, zwłaszcza na końcach drutu.
Robot Mission™ znajduje się na swoim terytorium, lecz wyświetlacz pokazuje komunikat „outside working area” (poza obszarem roboczym) oraz dioda LED świeci na zielono.	Zacisk styków przewodu granicznego jest nieprawidłowy.	Zamienić styki przewodu granicznego.
Robot Mission™ nie może prawidłowo zadokować się w stacji ładowania.	Wpływ otoczenia.	Zrestartować robota Mission™.
	Słabe połączenie spowodowane zanieczyszczeniami na taśmie ładowania.	Wyczyścić styki znajdujące się na stacji ładowania i taśmie ładowania robota Mission™ przy użyciu szmatki.
Robot Mission™ pracuje poza obszarem roboczym wyznaczonym przez przewód graniczny. Robot Mission™ nie kosi obszaru w obrębie obszaru wyznaczonego przez przewód graniczny. Robot Mission™ wycofuje się lub obraca błędnie w pobliżu przewodu granicznego.	Przewód graniczny innego robota Mission™ lub robota do koszenia trawy innej firmy jest umieszczony zbyt blisko.	Upewnić się, że przewód graniczny robota Mission™ znajduje się co najmniej 1m od sąsiadującego przewodu granicznego.
	Przewód graniczny został zamocowany z ostrymi narożami.	Sprawdzić przewód graniczny w celu upewnienia się, że naroża są gładkie.
	W mokrych warunkach sygnał elektryczny przewodu granicznego może upływać w miejscach łączenia lub naprawy przewodu granicznego.	Sprawdzić połączenia przewodu granicznego. Zaizolować w celu zapewnienia w pełni wodoszczelnego połączenia.
	Ze względu na przerwana izolację występuje upływ sygnału elektrycznego przewodu granicznego.	Naprawić zniszczoną izolację przewodu ograniczającego z wtyczką.
	Obszar cięcia jest większy niż dopuszczalny obszar cięcia dla robota Mission™.	Zmniejszyć obszar koszenia.
Robot Mission™ wyjeżdża poza przewód graniczny ze względu na nadmierną prędkość podczas jazdy z góry.	Przewód graniczny umieszczony na zboczu o nachyleniu powyżej 17% (10°).	Przenieść przewód graniczny w miejsca o nachyleniu nie większym od 17% (10°).

Lokalizacji robota Mission™ nie można dokładnie wyświetlić w aplikacji lub nie można wykryć jego lokalizacji.	Sygnaly GPS zależą od pogody lub zakłóceń.	1. Sprawdź i potwierdź: Mission™ nie jest do góry nogami ani na boki, Mission™ nie jest pokryty metalowymi przedmiotami. 2. Doprowadź Mission™ do otwartej przestrzeni, gdzie możesz uzyskać ruchomy sygnał.
	Nie używasz najnowszej wersji aplikacji Mission™.	Zaktualizuj aplikację Mission™ do najnowszej wersji.
Mission™ nie ostrzega, gdy znajduje się poza ogrodzeniem Geo.	Oprogramowanie dla Mission™ nie jest aktualne.	Zaktualizuj oprogramowanie Mission™ przed użyciem GeoTrace.
	Zza zestawem obwodowym GeoTrace znajduje się niewielki obszar tolerancji.	Aby sprawdzić, czy GeoTrace działa (około 30 metrów od ogrodzenia Geo) należy wyprowadzić Mission™ poza obszar tolerancji.
	GeoTrace jest wyłączony.	Włącz Mission™ i naładuj go, jeśli to konieczne. Jeśli nie musisz ładować, możesz użyć baterii Mission™, aby znaleźć swój GeoTrace Mission™. (W module znajduje się wewnętrzna bateria, która wystarcza na tydzień po wyłączeniu urządzenia).
	Strefa geofence nie jest ustawiona lub promień strefy geofence nie jest ustawiony.	Użyj aplikacji Mission™, aby skonfigurować ją poprawnie.
	Mission™ jest wyłączony.	W takim przypadku alert zostanie wysłany 10 minut po przyniesieniu Mission™ do ogrodzenia Geo.
Mission™ jest nadal ważny poza Geo Fence.	Strefa geofence nie jest ustawiona lub promień strefy geofence nie jest ustawiony.	Użyj Mission™ App, aby prawidłowo skonfigurować.
	Geo Ogrodzenie nie jest włączone.	

Mission™ działa dobrze, ale komunikacja między Mission™ a smartfonem nie działa.	Zasięg sieci GeoTrace jest słaby.	Należy sprawdzić czy posiada słaby sygnał. Jeśli tak, należy przejść do obszaru z dobrym sygnałem.
	GeoTrace jest uszkodzony.	Skontaktuj się ze sprzedawcą i sprawdź dokładnie.
	Oprogramowanie Mission™ nie jest aktualne.	Zaktualizuj oprogramowanie Mission™.
	Aplikacja Mission™ musi zostać zaktualizowana.	Zaktualizuj Mission™ App przed użyciem GeoTrace.
	Karta SIM GeoTrace nie jest aktywowana.	Przed pierwszym użyciem upewnij się, że aktywowałeś kartę SIM, wykonując czynności w Mission™ App.
	GeoTrace nie został prawidłowo podłączony do Mission™	Skontaktuj się ze sprzedawcą. Kliknij, aby sprawdzić, czy złącze GeoTrace jest prawidłowo włożone.
	Mission™ nie ma mocy.	Sprawdź, czy świeci się ekran Mission™. Jeśli nie, zwróć Mission™ do stacji ładującej w celu naładowania lub zainicjowania programu awaryjnego do ładowania.
	Opłata za subskrypcję karty SIM wygasła.	Po wygaśnięciu należy ją odnowić.
Mission™ nie wdraża pozycjonowania w czasie rzeczywistym lub lokalizacja Mission™ nie może być aktualizowana w czasie rzeczywistym.	GeoTrace jest zaprojektowany do aktualizacji pozycjonowania co 10 minut w celu oszczędzania energii. Gdy Mission™ ma pojemność akumulatora o małej mocy, odstęp czasu dla aktualizacji pozycjonowania będzie dłuższy.	Jest to normalne i nie jest wymagane żadne działanie.
	GeoTrace zostanie automatycznie wyłączony bez sygnału GPS, w przypadku, w którym Mission™ został wyłączony na ponad 24 godziny w Geo fence do przechowywania.	

Uwaga:

1. Akumulator GeoTrace powinien zostać wymieniony przez przedstawiciela serwisu.
2. Upewnij się, że Mission™ jest okresowo ładowany podczas przechowywania i zaleca się, aby był półroczny.
3. Po wygaśnięciu opłaty za subskrypcję karty SIM GeoTrace wymaga odnowienia.

Zasady ochrony środowiska



Odpady wyrobów elektrycznych nie powinny być wyrzucane razem z odpadami gospodarstwa domowego. Należy korzystać z recyklingu, jeśli istnieje odpowiednia infrastruktura. Porady dotyczące recyklingu można uzyskać u władz lokalnych lub sprzedawcy detalicznego.

Deklaracja zgodności

My niżej podpisani,
Positec Germany GmbH
Postfach 32 02 16, 50796 Cologne, Germany

W imieniu firmy Positec zaświadczam, że produkt,

Opis **Robot do koszenia trawy**

Typ **KR133E KR136E (100-199 - oznaczenie maszyn zgodnych z robotem do koszenia trawy)**

(Rok, miesiąc produkcji oraz numer fabryczny produktu podano na tabliczce umieszczonej na tylnej obudowie kosiarki. Pełny numer fabryczny znajduje się na obudowie kosiarki) z ładowarką akumulatora KA3717/KA3817 i bazą ładowania KA0072/ KA0073

Funkcja **Koszenie trawy**

Jest zgodny z poniższymi dyrektywami,

2006/42/EC, 2014/30/EU, 2014/35/EU, 2011/65/EU&(EU)2015/863, 2000/14/EC zmieniona dyrektywą 2005/88/EC, 2014/53/EU

2000/14/EC zmieniona dyrektywą 2005/88/EC

- Procedura oceny zgodności zgodnie z

- Zmierzony poziom mocy akustycznej

- Deklarowany gwarantowany poziom mocy akustycznej

KR133E

Annex V

57.72 dB (A)

59 dB (A)

KR136E

Annex V

57.5 dB (A)

59.3 dB (A)

Jednostka notyfikowana Intertek, Semko AB, NB-No. 0413 przeprowadziła badanie typu UE zgodnie z Dyrektywą 2014/53/UE i wydała następujący certyfikat badania typu UE: SE-RED-2200106

GeoTrace:

Dane jednostki notyfikowanej

Nazwa: TIMCO ENGINEERING, Inc (jednostka notyfikowana CE1177)

Adres: 849 NW State Road 45, Newberry, Florida 32669, USA

114

PL

Standardy zgodne z,

Dla kosiarki: EN 50636-2-107:2015+A1:2018+A2:2020+A3:2021, EN 60335-1:2012+A11:2014+A13:2017+A1:2019+A2:2019+A14:2019+A15:2021, EN IEC 62311:2020, EN IEC 55014-1:2021, EN IEC 55014-2:2021, EN IEC 61000-3-2:2019+A1:2021, EN 61000-3-3:2013+A1:2019+A2:2021

Dla układu pętli indukcyjnej: EN 303 447 V1.1.1

Dla modułu ultradźwiękowego: EN 55011:2016+A11:2020

Dla modułu Bluetooth i WIFI (2.4G): EN 301 489-1 V2.2.3, EN 301 489-17 V3.2.4, EN 300 328 V2.2.2

Dla modułu 4G+GPS: EN 301 489-1 V2.2.3, EN 301 489-19 V2.1.1, EN 301 489-52 V1.2.1, EN 301 511 V12.5.1, EN 301 908-1 V13.1.1, EN 301 908-13 V13.1.1, EN 303 413 V1.1.1

Dla ładowarki: EN IEC 55014-1:2021, EN IEC 55014-2:2021, EN IEC 61000-3-2:2019+A1:2021, EN 61000-3-3:2013+A1:2019+A2:2021, EN IEC 60335-2-29:2021+A1:2021, EN 60335-1:2012+A11:2014+A13:2017+A1:2019+A2:2019+A14:2019+A15:2021, EN 62233:2008

Dla hałas: EN ISO 3744:2005

Dla RoHS: EN IEC 63000:2018

Osoba upoważniona do sporządzenia dokumentacji technicznej,

Imię i nazwisko **Marcel Filz**

Adres **Positec Germany GmbH Postfach 32 02 16, 50796 Cologne, Germany**



2023/09/19

Allen Ding

Zastępca głównego inżyniera, testowanie i certyfikacja

Positec Technology (China) Co., Ltd.

18, Dongwang Road, Suzhou Industrial

Park, Jiangsu 215123, P. R. China

Brugere kan se den elektroniske vejledning på <https://www.kress.com/en/>.

Produktsikkerhed

Generelle sikkerhedsadvarsler



ADVARSEL: Læs alle sikkerhedsadvarsler og alle instruktioner.

Tilsidesættelse af advarsler og instruktioner kan medføre elektrisk stød, brand og/eller alvorlige personskader.

Læs omhyggeligt instruktionerne for sikker betjening af maskinen.

Gem alle advarsler og instruktioner til fremtidig brug.

- Dette apparat er ikke beregnet til brug af personer (herunder børn) med nedsatte fysiske, sensoriske eller mentale evner eller manglende erfaring og viden, medmindre de er blevet overvåget eller instrueret i brugen af apparatet af en person, der er ansvarlig for deres sikkerhed.
- Børn skal være under opsyn for at sikre, at de ikke leger med apparatet.
- Dette apparat indeholder batterier, der kun kan udskiftes af uddannede personer.
ADVARSEL: Til opladning af batteriet må du kun bruge den aftagelige strømforsyningsenhed, der følger med apparatet, til at oplade batteriet.

VIGTIGT

**LÆSES OMHYGGELIGT FØR BRUG
OPBEVARES TIL SENERE BRUG**

Praksis for sikker betjening Uddannelse

- Læs instruktionerne omhyggeligt. Sørg for, at du forstår vejledningen, at du er bekendt med styringen og korrekt brug af apparatet.
- Lad aldrig personer, der ikke er bekendt med disse instruktioner, eller børn bruge apparatet. Lokale bestemmelser kan begrænse alderen på hvem der må bruge apparatet.
- Ejeren eller brugeren er ansvarlig for ulykker eller farer, der påvirker andre personer eller deres ejendom.

Forberedelse

- Sørg for korrekt installation af afgrænsningskablet som anvist.
- Kontroller regelmæssigt det område, hvor apparatet skal bruges, og fjern alle

sten, pinde, ledninger, knogler og andre fremmedlegemer.

- Foretag jævnligt en visuel inspektion for at kontrollere, at knivene, knivboltene og knivsamlingen ikke er slidte eller beskadigede. Udskift slidte eller beskadigede klinger og bolte i sæt for at bevare balancen.
- På apparater med flere spindler skal du være forsigtig, da rotation af en klinge kan få andre klinger til at rotere.
- ADVARSEL! Plæneklipperen må ikke betjenes uden at beskyttelsesskjoldet er på plads.

Betjening

1. Generelt

- Brug aldrig apparatet hvis beskyttelsesskjoldet er beskadiget, eller uden sikringer, f. eks. afvisere, er på plads.
- Sæt ikke hænder eller fødder i nærheden af, eller under roterende dele. Hold dig hele tiden væk fra udkastningsåbningen.
- Aldrig løfte eller bære et apparat, mens motoren er i gang.
- Betjen afbrydningsfunktionen fra apparatet
 - Før du renser maskinen for blokerende elementer;
 - Før du efterser, rengøre eller arbejder på apparatet;
 - Hvis maskinen har ramt et fremmedlegeme, skal den ses efter for eventuelle skader;
 - Hvis maskinen begynder at vibrere unormalt, skal maskinen ses efter for skader, inden den startes igen.
- Det er ikke tilladt at ændre det oprindelige design af robotplæneklipperen. Alle ændringer foretages på eget ansvar.
- Start robotplæneklipperen i henhold til instruktionerne. Når strømmen er tændt, skal du sørge for at holde dine hænder og fødder væk fra de roterende knive. Sæt aldrig dine hænder og fødder ind under plæneklipperen.
- Robotplæneklipperen må aldrig løftes eller bæres, når den er tændt.
- Lad ikke personer, der ikke ved, hvordan robotplæneklipperen fungerer og opfører sig, bruge plæneklipperen.
- Du må ikke lægge noget oven på robotplæneklipperen eller dens ladestation.
- Lad ikke robotplæneklipperen blive brugt med en defekt knivskive eller et defekt beskyttelsesskjold. Robotplæneklipperen må heller ikke anvendes hvis knive, skruer, møtrikker eller kabler er defekte.
- Sluk altid for robotplæneklipperen, når du ikke har til hensigt at bruge den. Robotplæneklipperen kan kun starte, når

den er tændt, og den rigtige pinkode er indtastet.

- l) Hold hænder og fødder væk fra de roterende knive. Placer aldrig dine hænder eller fødder tæt på eller ind under maskinen, når robotplæneklipperen er i drift.
- m) Undgå at bruge maskinen og dens perifere enheder under dårlige vejrforhold, især når der er risiko for lynnedslag.
- n) Rør ikke ved bevægelige farlige dele, før de er standset helt.
- o) For maskiner, der anvendes i offentlige områder, skal der opsættes advarselsskilte omkring maskinens arbejdsområde. De skal vise indholdet af følgende tekst: Advarsel! Automatisk plæneklipper! Hold dig væk fra maskinen! Overvåg børn!

2. Desuden, når apparatet fungerer automatisk

- a) Lad ikke maskinen være i drift uden opsyn, hvis du ved, at der er kæledyr, børn eller mennesker i nærheden.

Vedligeholdelse og opbevaring

 **ADVARSEL!** Når plæneklipperen vendes på hovedet, skal den altid først slukkes.

Plæneklipperen skal være slukket under alt arbejde på dens underside, som fx rengøring eller udskiftning af knive.

- a) Sørg for, at alle møtrikker, bolte og skruer er fastspændte for at sikre, at maskinen er sikkert at bruge.
- b) Kontroller robotplæneklipperen hver uge, og udskift slidte eller beskadigede dele af hensyn til sikkerheden.
- c) Kontroller især, at knivene og knivskiven ikke er beskadiget. Udskift om nødvendigt alle knive og skruer på samme tid, så de roterende dele er afbalanceret.
- d) Sørg for, at der kun anvendes knive og reservedele af den rigtige type.
- e) Sørg for, at batterierne oplades ved hjælp af den korrekte oplader, der anbefales af producenten. Forkert brug kan medføre elektrisk stød, overophedning eller udsivning af ætsende væske fra batteriet.
- f) I tilfælde af lækage af elektrolyt skylles med vand/neutraliseringsmiddel, søg lægehjælp, hvis det kommer i kontakt med øjnene osv.
- g) Ved vedligeholdelse af apparatet skal du følge producentens instruktioner.

Anbefaling

Maskinen og/eller dens eksterne enheder må kun tilsluttes til et strømkredsløb, der er beskyttet af et HFI relæ med en udløsningsstrøm på højst 30 mA.

Risiko for reststrøm

For at undgå skader skal du bære beskyttelseshandsker, når du udskifter knivbladene.

Transport

Den originale emballage skal anvendes ved transport af robotplæneklipperen over lange afstande.

For at kunne bevæge sig sikkert fra, eller inden for arbejdsområdet:

- a) Tryk på STOP knappen for at stoppe plæneklipperen.
Du vælger den firecifrede PIN kode, når du starter plæneklipperen første gang.
- b) Sluk altid robotplæneklipperen, hvis du har til hensigt at bære plæneklipperen.
- c) Bær plæneklipperen i håndtaget bagpå under plæneklipperen. Bær plæneklipperen med knivskiven væk fra kroppen.

Krav til eksponering af radiobølger

For at opfylde kravene til eksponering fra radiobølger skal der opretholdes en afstand på 200 mm eller mere mellem denne enhed og personer, mens maskinen er i drift.

For at sikre overholdelse af reglerne anbefales det ikke at bruge maskinen tættere end denne afstand. Den antenne, der anvendes til denne sender, må ikke være placeret sammen med nogen anden antenne eller sender.

Dette er et apparat i klasse III, og det må kun forsynes med ekstra lav sikkerhedsspænding svarende til mærkningen på apparatet.

Vedligeholdelse

1) Få udstyret repareret af en kvalificeret reparatør, som kun anvender identiske reservedele. Dette vil sikre, at udstyrets sikkerhed opretholdes.

2) Du må aldrig reparere et beskadiget batteri. Service af batteriet må kun udføres af producenten eller af autoriserede serviceudbydere.

Sikkerhedsadvarsler for batteripakken, siddende i maskinen

- a) Batteripakken må ikke skilles ad, åbnes

- eller destrueres.
- b) **Batteripakken må ikke kortsluttes. Opbevar ikke batteripakker tilfældigt i en kasse eller skuffe, hvor de kan kortslutte hinanden eller blive kortsluttet af elektrisk ledende materialer.** Når batteripakken ikke er i brug, skal du holde den væk fra andre metalgenstande, f. eks. nøgler, søm, skruer eller andre metalgenstande, der kan skabe forbindelse fra den ene pol til den anden pol. Hvis batteripolerne kortsluttes, kan det medføre forbrændinger eller brand.
 - c) **Batteripakken må ikke udsættes for varme eller ild. Undgå opbevaring i direkte sollys.**
 - d) **Batteripakken må ikke udsættes for mekaniske stød.**
 - e) **I tilfælde af at batteriet lækker, må væsken ikke komme i kontakt med huden eller øjnene. Hvis du er kommet i kontakt med væsken, skal du vaske det berørte område med rigeligt vand og søge læge.**
 - f) **Søg straks læge, hvis en celle eller en batteripakke er blevet slugt.**
 - g) **Hold batteripakken ren og tør.**
 - h) **Genoplad kun med den oplader, der er specificeret af Kress. Brug ikke andre opladere end dem, der specifikt er beregnet til brug sammen med maskinen.**
 - i) **Brug ikke en batteripakke, som ikke er beregnet til brug med udstyret.**
 - j) **Opbevar batteripakken uden for børns rækkevidde.**
 - k) **Opbevar den originale produktliteratur til fremtidig brug.**
 - l) **Bortskaf det korrekt.**
 - m) **Bland ikke celler af forskellig mærke, kapacitet, størrelse eller type i en enhed.**
 - n) **Advarsel! Brug ikke ikke-genopladelige batterier.**

Brugervejledning – krav til trådløst produkt

- a) Brugen af denne enhed er underlagt følgende to betingelser:
 - (1) Denne enhed må ikke forårsage skadelig interferens, og
 - (2) denne enhed skal acceptere enhver modtaget interferens, inklusive interferens, der kan forårsage uønsket drift.
- b) Forsigtig: Ændringer eller modifikationer af denne enhed, der ikke udtrykkeligt er accepteret af den part, der er ansvarlig for overholdelsen, kan ugyldiggøre brugerens ret til at bruge udstyret.
- c) **BEMÆRK:** Dette udstyr genererer, bruger og kan udstråle radiofrekvensenergi og

kan, hvis det ikke installeres og bruges i overensstemmelse med instruktionerne, forårsage skadelig interferens i radiokommunikation. Der er dog ingen garanti for, at interferens ikke vil forekomme i en bestemt installation. Hvis dette udstyr forårsager skadelig interferens på radio- eller tvmodtagelse, hvilket kan fastslås ved at slukke og tænde for udstyret, opfordres brugeren til at forsøge at rette op på interferensen ved hjælp af en eller flere af følgende foranstaltninger:

- Drej eller flyt modtagerantennen.
- Øg afstanden mellem udstyret og modtageren.
- Tilslut udstyret til en stikkontakt på et andet kredsløb end det, som modtageren er tilsluttet.
- Henvend dig til en forhandler eller en erfaren radio-/tv-tekniker for assistance.

Symboler



ADVARSEL - robotplæneklipperen kan være farlig, hvis den anvendes forkert. Læs betjeningsvejledningen omhyggeligt igennem og forstå indholdet, før du bruger robotplæneklipperen.



ADVARSEL - Hold en sikker afstand fra maskinen, når du betjener den.



ADVARSEL – Betjen inaktiveringsmekanismen, inden du arbejder med eller løfter maskinen.



ADVARSEL - Du må ikke sidde på maskinen.



Klasse III apparat



Elektriske affaldsprodukter må ikke bortskaffes sammen med husholdningsaffald. Afleverer venligst maskinen på genbrugsstationen. Kontakt de lokale myndigheder eller din forhandler for at få råd om genbrug.



Li-Ion batteri. Dette produkt er mærket med et symbol, der henviser til "separat indsamling" for alle batteripakker og elementer. Det vil derefter blive genanvendt eller demonteret for at mindske miljøbelastningen. Batteripakker kan være farlige for miljøet og for menneskers sundhed, da de indeholder farlige stoffer.



Må ikke brændes.



Batterier kan indgå i vandkredsløbet, hvis de bortskaffes forkert, hvilket kan være farligt for økosystemet. Bortskaf ikke udtjente batterier som usorteret, kommunalt affald.



Maskinen må ikke vaskes med en højtryksrensere



Læs betjeningsvejledningen

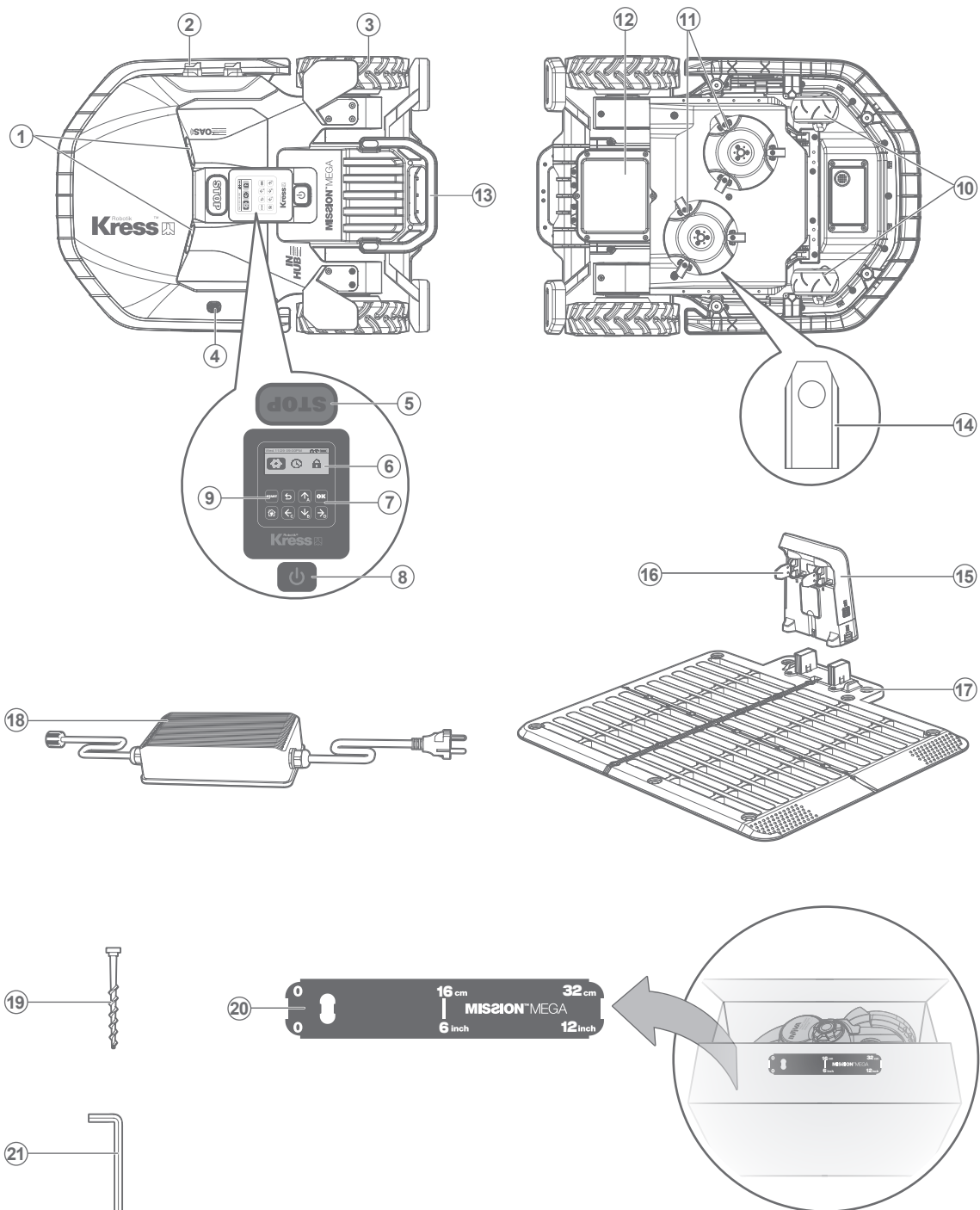


Aftagelig forsyningsenhed



Forbud mod at adskille maskinen uden tilladelse

Liste over komponenter



- | | |
|-------------------------|--------------------------------------|
| 1. Ultralydsensor | 12. Batteripakke * |
| 2. Opladningsterminaler | 13. Håndtag |
| 3. Bageste drivhjul | 14. Skærekniv |
| 4. Regnsensor | 15. Opladestang |
| 5. STOP knap | 16. Kontaktstifter |
| 6. Display | 17. Opladningsstation |
| 7. Tastatur | 18. Strømadaptor |
| 8. Tænd/sluk-knap | 19. Fastgøringssøm til opladestation |
| 9. START knap | 20. Måler til afgrænsningstråd |
| 10. Forhjul | 21. Umbrakonøgle |
| 11. Knives knivplade | |

* Det er ikke alt det tilbehør, der er illustreret eller beskrevet her, der er inkluderet i standardleveringen.

Tekniske data for plæneklipperen

Type **KR133E KR136E (100-199 - maskinbetegnelse, betegnelsen er robotplæneklipper)**

	KR133E	KR136E
Normeret spænding	20V \equiv Maks.*	
Hastighed uden belastning	2800/min	3200/min
Klippeområde	Dækningsareal/maksimal ydeevne: 3000 m ² /4400 m ²	Dækningsareal/maksimal ydeevne: 6000 m ² /6500 m ²
Skærediameter	35 cm	
Skærehøjde	30-60 mm	
Klipning af høje trin	5 mm	
Batteritype	Lithium-ion	
Batterimodel	KA3006	KA3010
Opladningstid Ca.	46 min.	77 min.
Opladermodel	KA3717 / KA3817	
Laderspecifikationer	Indgang: 100-240V~50/60Hz, 230W, Udgang: 28V, 7.0A	
Maskinens vægt	19 kg	19.5 kg
Beskyttelsesgrad	III	
App (Wi-Fi / Bluetooth)	Y	
Maksimal hældning inden for arbejdsfladen	45%	
Frekvensbånd for Bluetooth (MHz)	2400-2483.5 MHz	
Maksimalt transmitteret effekt for Bluetooth (dBm)	8 dBm	
Frekvensbånd for wifi (MHz)	2400-2483.5 MHz	

Maksimal transmitteret effekt for wifi (dBm)	20 dBm
Frekvensbånd af det induktive sløjfesystem	77 Hz
Maksimal RF-effekt af det induktive sløjfesystem	82 dB μ A/m

* Spænding målt uden belastning. Den indledende batterispænding når op på maksimalt 20 volt. Nominel spænding er 18 volt. Nominel spænding er 18 volt.


Tekniske data for GeoTrace

Normeret spænding	5V \pm 5%
Driftstemperatur	-10°C ~ +72°C
Opbevaringstemperatur	-20°C ~ +75°C

Frekvensbånd	Tx (MHz)	Rx (MHz)	Den maksimale (EIRP) transmitterede effekt (dBm)
EGPRS 900MHZ	880~915	925~960	30
EGPRS 1800MHZ	1710~1785	1805~1880	30
NB-IOT Band3	1710~1785	1805~1880	24
NB-IOT Band8	880~915	925~960	24
NB-IOT B20	832~862	791~821	24

121
Dk

Støjdata

	KR133E	KR136E
A vægtet lydtryk	$L_{pA} = 46.72$ dB (A), $K_{pA} = 0.39$ dB(A)	$L_{pA} = 46.5$ dB (A), $K_{pA} = 1.75$ dB(A)
A vægtet lydtrykniveau	$L_{wA} = 57.72$ dB (A), $K_{wA} = 0.39$ dB(A)	$L_{wA} = 57.5$ dB (A), $K_{wA} = 1.75$ dB(A)
Bær ørebeskyttelse, når lydtrykket er over		80dB(A) 

En grad af støj fra maskinen kan ikke undgås. Ruter med støjende arbejde skal godkendes og begrænses i visse perioder. Hold hvilepauser hvor det kan være nødvendigt at begrænse klipningen til et minimum. Af hensyn til deres personlige beskyttelse og til beskyttelse af personer, der opholder sig i nærheden, skal der bæres et passende høreværn.

Tilbehør

Skrue	18
Ladestation	1
Fastgøringssøm til opladestation	8
Umbrakonøgle	1
Måler til afgrænsningstråd	1
Kniv	18
Batteripakke (KA3006/KA3010)	1
Oplader (KA3717/KA3817)	1

Vi anbefaler, at du køber originalt tilbehør, der er anført på ovenstående liste, i den samme butik, som har solgt dig plæneklipperen. Se tilbehørets emballage for at få yderligere oplysninger. Butikkens personale kan hjælpe dig og give dig råd.

Tilsigtet brug

Robotplæneklipperen er beregnet til græsslåning. Den er designet til at slå græs ofte, opretholde en sundere og bedre udseende græsplæne end nogensinde før. Afhængigt af størrelsen af din græsplæne kan Mission™ programmeres til at slå græs på et vilkårligt tidspunkt eller med et vilkårlig interval. Plæneklipperen er ikke beregnet til gravearbejde, fejning eller snerydning.

122

Dk

Vedligeholdelse

Din Mission™ arbejder hårdt og skal rengøres og kontrolleres fra tid til anden. Nogle dele skal udskiftes, efterhånden som de bliver slidte. Brug aldrig din Mission™ med en defekt tænd/sluk knap.

Sluk for maskinen, før du udfører service eller vedligeholdelse.

Her kan du se, hvordan du passer på din Mission™.

1

Hold den skarp

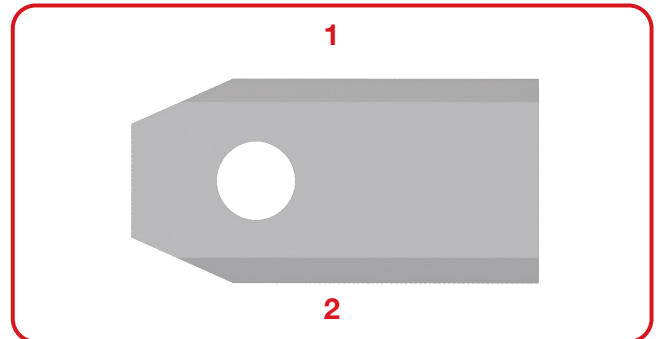


ADVARSEL: Før du rengør, justerer eller udskifter knivene, skal du slukke for din Mission™ og tage beskyttelseshandsker på.



ADVARSEL: Når du monterer nye knive, skal du sørge for at udskifte ALLE knivene. Brug altid nye skruer, når du monterer knive. Dette er vigtigt for at sikre, at knivbladet holdes fast og for at afbalancere knivbladets drejeskive. Hvis der ikke anvendes nye skruer, kan det medføre alvorlig personskade.

Mission™ klipper ikke græs som andre plæneklippere. Dens skæreblade er knivskarpe på 4 kanter og roterer i begge retninger for maksimal skærekapacitet. Hvert blad på din Mission™ har 4 skærekanter. Knivbladets drejeskive roterer fremad og bagud tilfældigt for at bruge 4 skærekanter og minimere hyppigheden af udskiftning af knivbladene. Og med det nye materiale vil levetiden for hvert skæreblad være 3 gange længere end for andre mærker, når det er programmeret til at klippe hver dag. Kontroller altid, om knivbladene er flækkede eller beskadigede, og udskift dem, hvis de er det. Når knivbladene er sløve og slidte, skal de udskiftes med de reserveblade, der følger med din Mission™. Reserveknive kan også fås hos din nærmeste Kress forhandler.



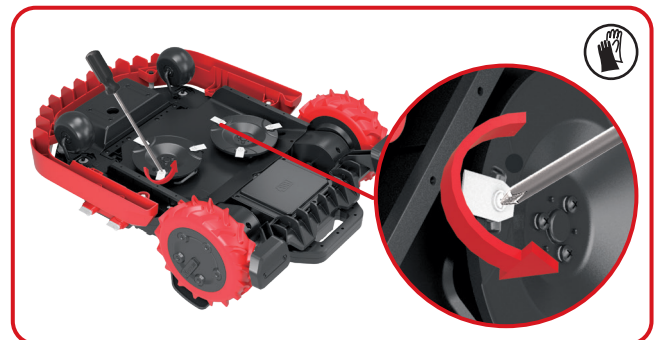
A. Udskiftning af knivene

Normalt skal knivene på din Mission™ vendes hver måned og skiftes hver 2. måned. Når du udskifter knivbladene, skal du sørge for at udskifte dem alle på samme tid. Du kan erstatte dem med et af de ekstra knivbladsæt og ekstra klingskruer, der følger med din Mission™.

Før du forsøger at udskifte Mission™'s kniveblade, skal du slukke for strømmen, tage beskyttelseshandsker på og følge disse trin:

1. Vend forsigtigt Mission™ om.
2. Fjern batteridækslet, og tag batteriet ud.
3. Tag skruerne af knivbladene med en skruetrækker.
4. Skru de nye knivblade godt fast.
5. Sæt batteriet i og batteridækslet på igen.

Vigtigt: Når du har skruet knivbladet fast på bladskiven, skal du sikre dig, at knivbladet kan dreje frit.



2

Hold den ren

! **ADVARSEL: Sluk for din Mission™, før du rengør den. Tag beskyttelseshandsker på, før du rengør bladets drejeskive, og skyl ikke efter med vand.**

! **ADVARSEL! Din Mission™ må kun vaskes ved hjælp af en vandslange! Brug IKKE højtryksrensere på din Mission™. Højtryksvand kan trænge ind i forseglingerne og beskadige elektroniske og mekaniske dele.**

A. Rengøring af plæneklipperen

Din Mission™ vil leve et meget gladere og længere liv, hvis den rengøres regelmæssigt. Da din Mission™ er en elektrisk maskine, skal du være forsigtig, når du rengør den. Brug kun rent vand fra haveslangen. Det er bedst at bruge en sprayflaske fyldt med vand. Når du rengør plæneklipperen, skal du bruge en blød børste eller en ren klud og undgå at bruge opløsningsmidler eller polermidler. Endelig skal du fjerne al ophobning af græsafklip og affald.

B. Rengøring af undersiden

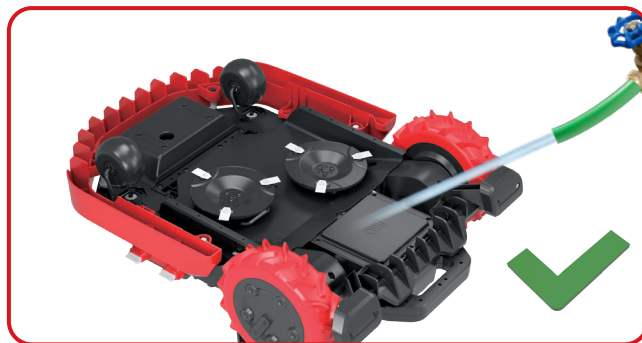
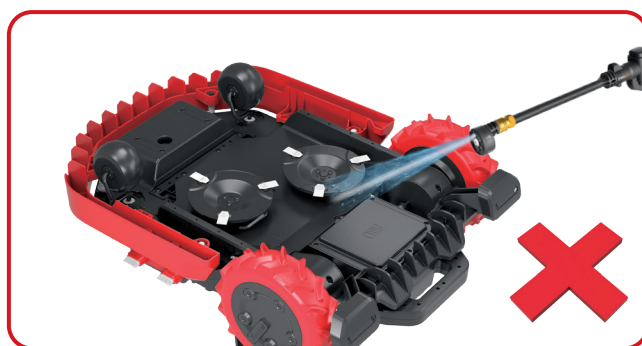
Igen er det vigtigt, at du slukker for Mission™ og har beskyttelseshandsker på, før du rører ved knivbladets drejeskive. Først vender du din Mission™ på hovedet, så du kan se dens underside. Her kan du se knivbladskiven, chassiset samt forhjulet og drivhjulene. Rengør alt grundigt med en blød børste eller en fugtig klud. Brug kun rent vand fra haveslangen.

Drej knivbladskiven for at sikre, at den roterer frit. Kontroller, at bladene drejer frit rundt om fastgørelsesskruerne. Fjern eventuelle forhindringer.

VIGTIGT: Fjern eventuelt fastsiddende snavs, så det ikke forårsager en revne i knivbladskiven. Selv den mindste revne kan reducere din Mission™'s klippeydelse.

C. Rengør kontaktstifterne og ladepunkterne

Rengør kontaktstifterne på ladestationen og ladepunkterne på Mission™ med en klud. Fjern regelmæssigt ophobede græsafklip eller affald omkring kontaktstifterne og ladepunkterne for at sikre, at Mission™ oplades korrekt hver gang.



3

Batteriets levetid

Mission™'s hjerte er dens 20V Li-Ion batteri. For at sikre korrekt opbevaring af batteriet skal du sørge for, at det er fuldt opladet og opbevares på et køligt og tørt sted mellem (20°C ± 5°C).

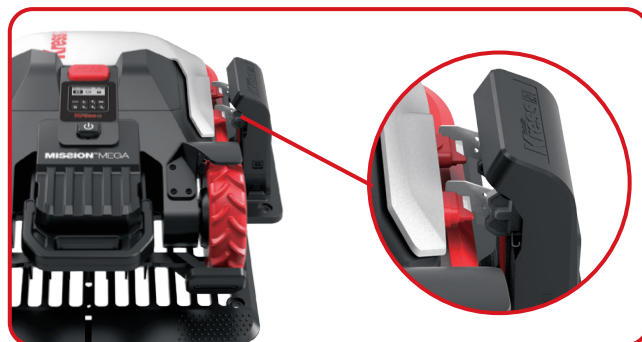
BEMÆRK: Den anbefalede driftstemperatur for Mission™ er mellem 0°C - 45°C.

Levetiden for Mission™'s batteri afhænger af forskellige faktorer, f. eks:

- Længden af sæsonen for græsslåning i din region
- Antallet af timer, som Mission™ klipper om dagen
- Vedligeholdelse af batteriet under opbevaring

Mission™ kan oplades manuelt uden afgrænsningstråden.

1. Tilslut ladestationen til en passende strømforsyning. Det grønne lys på opladestationen tændes.
2. Sæt Mission™ manuelt i ladestationen, mens Mission™ er slukket.
3. Det grønne lys på opladestationen blinker, og Mission™ begynder at lade op.



4

Opbevarelse om vinteren

Din Mission™ vil leve længere og sundere, hvis den får lov til at gå i dvale. Så selv om det er svært, anbefaler vi, at du opbevarer din Mission™ i dit skur eller din garage om vinteren.

Før du forbereder din Mission™ til vinterdvale, anbefaler vi, at du:

- Rengør din Mission™ grundigt
- Lad batteriet helt op
- Sluk for strømmen

For at maksimere batteriets levetid skal du lade batteriet helt op, inden det opbevares om vinteren.

⚠ ADVARSEL: Beskyt undersiden af Mission™ mod vand. Opbevar ALDRIG Mission™ på hovedet udendørs.

Afgrænsningstråden kan efterlades i jorden, men enderne skal beskyttes, f. eks. ved at lægge dem i en dåse med fedtstof. Hvis opladestationen står udenfor om vinteren, skal du lade afgrænsningstråden være tilsluttet.

BEMÆRK: Når Mission™ tages i brug igen efter vinterdvale, skal du sørge for, at opladningsflader og kontaktstifter er rene. Vi anbefaler, at du bruger en fin slibeklud til at rengøre kontakterne. Kontroller med appen, at dato og klokkeslæt er korrekte, og send Mission™ tilbage til det, den elsker at gøre: at slå græs.

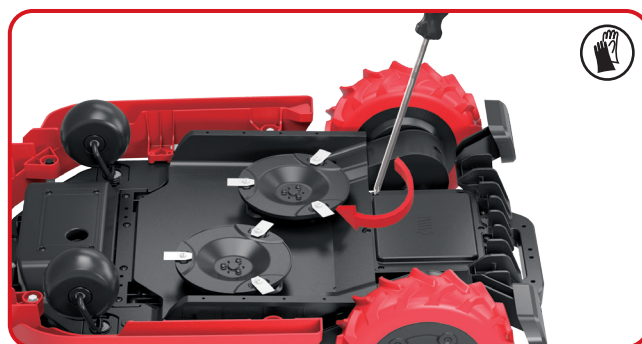
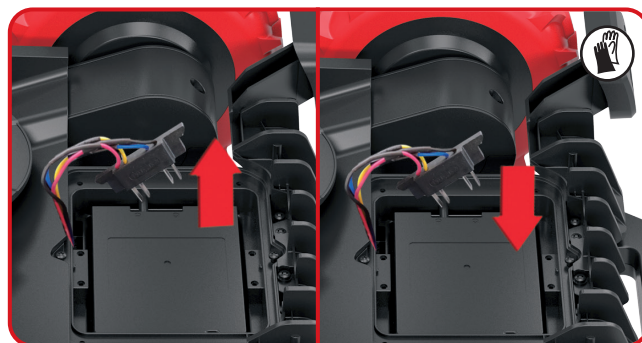
5

Udskiftning af batteriet

⚠ ADVARSEL: Sluk for strømmen, før du forsøger at foretage justering, udskiftning eller reparation. Før du udskifter knivbladene, skal du slukke for din Mission™ og tage beskyttelseshandsker på.

Hvis du har brug for at udskifte batteriet, skal du følge disse trin:

1. Vend forsigtigt din Mission™ på hovedet.
2. Fjern skrueerne på batteridækslet. Fjern batteridækslet.
3. Træk stikket ud. Udskift det gamle batteri med det nye. Sæt stikket i.
4. Sæt dækslet tilbage på sin plads, og spænd skrueerne.



126

Dk

Fejlfinding

Hvis din Mission™ ikke fungerer korrekt, skal du følge nedenstående vejledning til fejlfinding. Hvis fejlen fortsætter, skal du kontakte din forhandler.

Symptom	Årsag	Løsning
LED lyset på opladestationen tændes ikke.	Der er ingen strøm.	Kontroller, at opladestationen er korrekt tilsluttet opladeren, og at opladeren er tilsluttet en passende strømforsyning.
Rødt lys tænder på opladestationen.	Afgrænsningstråden er ikke tilsluttet.	Kontroller, at afgrænsningstråden er blevet tilsluttet korrekt til ladestationen. Kontroller, at der ikke er brud på afgrænsningstråden, især i trådens ender.

Din Mission™ er inden for sit arbejdsområde, men på displayet står der "uden for arbejdsområde", og lysdioden er grøn.	Afgrænsningstrådens ender er fastspændt forkert.	Vend enderne af afgrænsningstråden om.
Mission™ kan ikke docke korrekt til opladestationen.	Miljømæssige påvirkninger.	Genstart Mission™.
	Dårlig forbindelse forårsaget af snavs på opladningsfladerne.	Rengør kontaktstifterne på opladestationen og opladningsfladerne på Mission™ med en klud.
Mission™ løbkører uden for det afgrænsede område. Mission™ klipper ikke et område inden for en afspærringszone. Mission™ vender om eller roterer uregelmæssigt i nærheden af afgrænsningstråden.	Afgrænsningstråden fra en anden Mission™ eller en anden robotplæneklipper af et andet mærke er placeret for tæt på.	Sørg for, at din Mission™ afgrænsningstråd har mindst 1 m afstand mellem de tilstødende afgrænsningstråde.
	Afgrænsningstråden er blevet monteret med for spidse vinkler.	Kontrollér afgrænsningstråden for at sikre, at vinklerne er afrundede.
	I våde omgivelser kan det elektriske signal fra en afgrænsningstråd lække, hvor ledningen er blevet samlet eller repareret.	Kontroller ledningerne i afgrænsningstråden. Isolér for at sikre en fuldstændig vandtæt forbindelse.
	Der er en elektrisk signallækage fra en afgrænsningstråd på grund af ødelagt isolering.	Reparation af beskadiget isolering af afgrænsningstråd med isoleringstape.
	Klippeområdet er større end det tilladte dækningsområde for Mission™.	Reducer klippeområdet.
Mission™ forlader afgrænsningstråden på grund af for høj hastighed, når den kører ned ad en bakke.	Afgrænsningstråden er placeret på en skråning, der er stejlere end 17 % (10°).	Flyt afgrænsningstråden væk fra skråninger, der er stejlere end 17 % (10°).
Mission™'s position kan ikke vises præcist på appen, eller dens position kan ikke registreres.	GPS signalet påvirkes af vejret eller af visse forstyrrelser.	1. Kontrollér at: Mission™ ikke er vendt på hovedet eller på siden. Mission™ må ikke være dækket af metalgenstande. 2. Stil Mission™ på et åbent område, hvor den kan få kontakt til et mobilsignal.
	Du bruger ikke den nyeste version af Mission™ appen.	Opdater venligst Mission™ appen til den nyeste version.
Mission™ giver ikke alarm, når den befinder sig uden for Geohegnet.	Selve softwaren i Mission™ er ikke den nyeste.	Opdater softwaren til Mission™, før du bruger GeoTrace.
	Der er et lille toleranceområde umiddelbart uden for den omkreds, der er fastsat for GeoTrace.	Før Mission™ uden for toleranceområdet (ca. 30 m fra Geohegnet) for at verificere, at GeoTrace fungerer.
	GeoTrace er slukket.	Tænd Mission™, og oplad den om nødvendigt. Hvis det ikke er nødvendigt at oplade det, vil Find My Mission™ GeoTrace blive opladet af Mission™ batteriet.
	Geo Fence er ikke indstillet, eller radius for Geo Fence er ikke indstillet.	Brug Mission™ appen til at indstille det korrekt.
	Mission™ er slukket.	I dette tilfælde vil alarmen blive sendt 10 minutter efter, at Mission™ er kommet uden for Geohegnet.

Mission™ fungerer stadig, når den er kommet udenfor Geohegnet.	Geo Fence er ikke indstillet, eller radius for Geo Fence er ikke indstillet.	Brug Mission™ appen til at indstille det korrekt.
	Geo Fence er ikke aktiveret.	
Mission™ fungerer normalt, men kommunikationen mellem Mission™ og smartphone fungerer ikke korrekt.	GeoTrace's dækning af mobilnetværket er svag.	Kontroller om signalet er svagt. Hvis ja, skal du flytte plæneklipperen til et område med et godt signal.
	GeoTrace er beskadiget.	Kontakt en forhandler, og få det kontrolleret korrekt.
	Softwaren i Mission™ er ikke den nyeste version.	Opdater softwaren i Mission™.
	Mission™ appen skal opdateres.	Opdater din Mission™ app, før du bruger GeoTrace.
	GeoTrace's SIM kort er ikke aktiveret.	Før første brug skal du sikre dig, at du har aktiveret SIM kortet ved at følge proceduren i appen.
	GeoTrace er ikke godt forbundet med Mission™	Kontakt forhandleren. Kontroller, at GeoTrace stikket er sat korrekt i med et klik.
	Mission™ har ingen strøm.	Kontroller om displayet på Mission™ er tændt. Hvis ikke, skal du sende Mission™ tilbage til opladningsstationen for opladning eller starte nødproceduren for at oplade den.
	SIM abonnementet er udløbet.	Når abonnementet er udløbet, skal det fornyes.
Mission™ er ikke i stand til at opnå positionering i realtid, eller Mission™'s placering kan ikke opdateres i realtid.	GeoTrace er designet til at opdatere positioneringen hvert 10 minut for at spare på strømmen. Når Mission™ har lav spænding, vil tidsintervallet for opdatering af positionering være længere.	Dette er normalt. Ingen handling er nødvendig.
	Hvis Mission™ har været slukket i mere end 24 timer i GeoFence til opbevaring, slukker GeoTrace automatisk for strømmen uden GPS signal.	

128

Dk

BEMÆRK:

1. Batteriet i GeoTrace skal udskiftes af serviceagenten.
2. Sørg for, at Mission™ oplades regelmæssigt under opbevaring, det anbefales at oplade batteriet 1 gang hvert halve år.
3. GeoTrace skal fornyes, når SIM abonnementet er udløbet.

Beskyttelse af miljøet



Elektriske affaldsprodukter bør ikke bortskaffes sammen med husholdningsaffald. Afleverer venligst maskinen på genbrugsstationen. Kontakt din lokale myndighed eller forhandler for at få råd om genbrug.

Erklæring om overensstemmelse

Vi,
Positec Germany GmbH
Postfach 32 02 16, 50796 Cologne, Germany

På vegne af Positec erklærer vi, at produktet,

Beskrivelse **Robotplæneklipper**

Type **KR133E KR136E (100-199- - betegnelse for maskinen, der er repræsentativ for robotplæneklipperen) (År, artikelnummer og måned for serienummeret er anført på bagsiden. Det komplette serienummer er tydeligt angivet på plæneklipperens kabinet) med batterioplader KA3717/KA3817 og opladestation KA0072/KA0073**

Funktion **klipping af græsplæner**

Overholder følgende direktiver,

2006/42/EC, 2014/30/EU, 2014/35/EU, 2011/65/EU&(EU)2015/863, 2000/14/EC ændret ved 2005/88/EC, 2014/53/EU

2000/14/EC ændret ved 2005/88/EC

- Procedure for vurdering af overensstemmelse i henhold til
- Målt Lydeffektniveau
- Erklæret garanteret lydeffektniveau

**KR133E
Annex V
57.72 dB (A)
59 dB (A)**

**KR136E
Annex V
57.5 dB (A)
59.3 dB (A)**

Det bemyndigede organ, Intertek, Semko AB, NB-nr. 0413, har udført en EU-typeundersøgelse iht. Direktiv 2014/53/EU og udstedt følgende EU-typeundersøgelsescertifikat: SE-RED-2200106

GeoTrace:

Det berørte bemyndigede organ

Navn: TIMCO ENGINEERING, Inc (Afprøvningsorgan CE1177)

Adresse: 849 NW State Road 45, Newberry, Florida 32669, USA

Standarderne er i overensstemmelse med,

Til plæneklipper: EN 50636-2-107:2015+A1:2018+A2:2020+A3:2021, EN 60335-1:2012+A11:2014+A13:2017+A1:2019+A2:2019+A14:2019+A15:2021, EN IEC 62311:2020, EN IEC 55014-1:2021, EN IEC 55014-2:2021, EN IEC 61000-3-2:2019+A1:2021, EN 61000-3-3:2013+A1:2019+A2:2021

Til induktionsloopssystem: EN 303 447 V1.1.1

Til ultrasonisk modul: EN 55011:2016+A11:2020

Til Bluetooth- og wifi-modul (2,4 G): EN 301 489-1 V2.2.3, EN 301 489-17 V3.2.4, EN 300 328 V2.2.2

Til 4G- + GPS-modul: EN 301 489-1 V2.2.3, EN 301 489-19 V2.1.1, EN 301 489-52 V1.2.1, EN 301 511 V12.5.1, EN 301 908-1 V13.1.1, EN 301 908-13 V13.1.1, EN 303 413 V1.1.1

Til oplader: EN IEC 55014-1:2021, EN IEC 55014-2:2021, EN IEC 61000-3-2:2019+A1:2021, EN 61000-3-3:2013+A1:2019+A2:2021, EN IEC 60335-2-29:2021+A1:2021, EN 60335-1:2012+A11:2014+A13:2017+A1:2019+A2:2019+A14:2019+A15:2021, EN 62233:2008

Til støj: EN ISO 3744:2005

Til RoHS: EN IEC 63000:2018

Den person, der er bemyndiget til at udarbejde det tekniske dossier,

Navn Marcel Filz

Address Positec Germany GmbH Postfach 32 02 16, 50796 Cologne, Germany



2023/09/19

Allen Ding

Vicechef; Ingeniør, Test & Certificering

Positec Technology (China) Co., Ltd.

18, Dongwang Road, Suzhou Industrial

Park, Jiangsu 215123, P. R. China

Produktsikkerhet

Generelle og spesifikke sikkerhetsadvarsler

 **ADVARSEL Les gjennom alle advarslene og alle anvisningene.** Hvis advarslene og anvisningene ikke følges, kan det forårsake elektriske støt, brann og/eller alvorlige skader.

Les nøye gjennom anvisningene for trygg bruk av maskinen.

Ta vare på alle advarsler og anvisninger slik at du kan lese dem senere.

- Dette produktet er ikke ment for bruk av personer (også barn) med begrensede fysiske, sensoriske eller mentale funksjonsevner, eller som mangler erfaring eller kunnskaper, hvis de ikke blir passet på eller har fått opplæring i bruk av produktet av en person som er ansvarlig for deres sikkerhet.
- Barn bør holdes under oppsyn for å være sikker på at de ikke leker med produktet.
- Batteriet i denne enheten kan bare byttes ut av dyktig personell.
ADVARSEL: For å lade batteriet, bruk bare den flyttbare strømforsyningsenheten som følger med enheten.

VIKTIG!

LES NØYE FØR BRUK

TA VARE PÅ TIL SENERE BRUK

Rutiner for trygg bruk

Opplæring

- Les nøye gjennom anvisningene. Vær sikker på at du forstår anvisningene, og er fortrolig med knappene og hvordan produktet skal brukes på riktig måte.
- Ikke la personer som ikke kjenner anvisningene, eller barn, bruke produktet. Lokale bestemmelser kan angi aldersgrense for bruk.
- Brukeren er ansvarlig for ulykker eller fare andre personer utsettes for, på sin eiendom.

Forberedelser

- Kontroller at installeringen av grensetråden er gjort iht. anvisningene.
- Foreta jevnlig inspeksjoner av området der produktet skal brukes, og fjern alle

steiner, pinner, ledninger, bein og andre fremmedlegemer.

- Se etter skader eller slitasje på bladene, bladskruene og kuttemonteringen med jevnt mellomrom. Bytt ut hele settene av slitte eller skadde blader og skruer for å sikre at de er balansert.
- Multispindelprodukter bør håndteres forsiktig, fordi et roterende blad kan få andre blader til å rotere.
- ADVARSEL Produktet skal aldri brukes med defekt beskyttelse, eller uten sikkerhetsenheter.

Bruk

1. Generelt

- Produktet skal aldri brukes med defekt beskyttelse, eller uten sikkerhetsenheter som for eksempel deflektorer, på plass.
- Hender og føtter skal ikke komme nær eller under roterende deler. Aldri kom nær utslippsåpningen.
- Aldri løft eller bær et apparat med motoren i gang.
- Bruk deaktiveringssenheten på maskinen
 - Før noe som blokkerer fjernes;
 - Før du kontrollerer, renser eller arbeider med apparatet;
 - Inspisere maskinen for skade etter den har truffet et fremmedlegeme;
 - Se etter skader før maskinen startes på nytt hvis den begynner å vibrere unormalt.
- Det er ikke tillatt å endre på originalutformingen av robotgressklipperen. Alle endringer gjøres på egen risiko.
- Start robotgressklipperen iht. anvisningene. Når strømmen er på, må du holde hender og føtter borte fra de roterende bladene. Du må aldri ha hender eller føtter under gressklipperen.
- Løft aldri opp robotgressklipperen eller bær den når strømmen er på.
- Personer som ikke vet hvordan robotgressklipperen fungerer eller virker, skal ikke bruke den.
- Ikke legg noe på toppen av robotgressklipperen eller ladestasjonen.
- Robotgressklipperen skal ikke brukes hvis bladskive eller konstruksjon er defekt. Den bør heller ikke brukes hvis blader, skruer, muttere eller kabler er skadet.
- Slå alltid av robotgressklipperen med hovedbryteren når du ikke skal bruke den. Robotgressklipperen kan bare starte når strømmen er på og riktig PIN-kode er angitt.
- Hold hender og føtter vekk fra roterende

blader. Plasser aldri hendene eller føttene nærme eller under kroppen når robotgressklipperen er i drift.

- m) Unngå å bruke maskinen og utstyret under dårlige værforhold, spesielt om det finnes risiko for lyn.
- n) Ikke rør farlige bevegelige deler før de har stanset helt opp.
- o) For maskiner som brukes i fellesområder, skal advarselsskiltene plasseres rundt arbeidsområdet av maskin. De skal vise innholdet i følgende tekst:
Advarsel! Automatisk gressklipper! Hold deg vekk fra maskinen! Overvåke barn!

2. I tillegg, når produktet går automatisk

- a) Ikke la maskinen gå uten oppsyn hvis du vet at det er kjæledyr, barn eller andre personer i nærheten.

Vedlikehold og lagring



ADVARSEL! Når klipperen er snudd på hodet, må strømmen alltid være slått av.

Strømmen skal være slått av under alt arbeid på klipperen under rammen, for eksempel rengjøring eller bytte av kniver.

- a) Pass på at alle muttere, bolter og skruer er godt festet slik at produktet kan brukes på en trygg måte.
- b) Sjekk robotgressklipperen hver uke og bytt ut slitte eller skadde deler, av sikkerhetshensyn.
- c) Spesielt bladene og bladskiven må sjekkes for skader. Bytt om nødvendig ut alle blader og skruer samtidig, slik at de roterende delene er balansert.
- d) Kontroller at det bare brukes kuttedel av riktig type.
- e) Kontroller at batteriet lades med riktig lader anbefalt av produsenten. Feil bruk kan føre til elektrisk støt, overoppheting eller lekkasje av etsende væske fra batteriet.
- f) Hvis elektrolytt lekker ut, skyl med vann/nøytraliserende middel, og oppsøk lege hvis det kommer i kontakt med øynene, osv.
- g) Service på produktet skal foretas i henhold til produsentens anvisninger.

Anbefaling

Å koble maskinen og/eller utstyret kun til en strømforsyning som er beskyttet med en jordfeilbryter (RCD) som slår ut ved strøm på mer enn 30 mA.

Restrisiko

For å unngå skade brukes vernehansker når knivene skiftes.

Transport

Bruk originalemballasjen når robotgressklipperen skal fraktes over lengre avstander.

Slik beveger du deg trygt fra eller innenfor arbeidsområdet:

- a) Trykk på STOP-tasten for å stoppe gressklipperen.
Du velger en firesifret PIN-kode når du starter gressklipperen første gang.
- b) Slå alltid av robotgressklipperen hvis den skal bæres.
- c) Gressklipperen skal bæres ved å holde i håndtaket på fronten av den. Bær gressklipperen med bladskiven pekende vekk fra kroppen.

RF eksponeringskrav

For å tilfredsstille RF-eksponeringskrav, bør en separasjonsavstand på 200mm eller mer opprettholdes mellom denne enheten og personer under enhetsoperasjon.

For å sikre overholdelse anbefales ikke operasjoner på nærmere enn denne avstanden. Antennen som brukes til denne senderen, må ikke plasseres sammen med andre antenner eller sendere.

Dette er et apparat i klasse III som kun skal forsynes med ekstra lav spenning tilsvarende merkingen på apparatet.

Vedlikehold

1) Vennligst av kvalifisert servicepersonell bruker samme å bytte ut deler vedlikehold av utstyr. Dette vil sikre at utstyret holdes trygt.

2) Ikke reparer en skadet batteri. Batteriet kan bare repareres av produsenten eller leverandøren av den autoriserte tjenesten.

Sikkerhetsadvarsler for batteripakke inne i verktøyet

- a) Ikke demonter, åpne eller riv opp sekundære celler eller batteripakker.
- b) Ikke kortslutt en celle eller en batteripakke. Ikke oppbevar celler eller batteripakke løst i en boks eller skuff hvor de kan kortslutte hverandre eller bli kortsluttet av andre metallgjenstander. Når batteripakken ikke er i bruk skal den holdes adskilt fra andre metallgjenstander som binders, mynter,

nøkler, spiker, skruer eller andre små metalobjekter. Kortslutning av batteriet kan forårsake skader eller brann.

- c) **Ikke utsett celler eller batteripakke for varme eller ild. Unngå oppbevaring i direkte sollys.**
- d) **Ikke utsett celler eller batteripakke for mekanisk støt.**
- e) **Hvis du opplever cellelekkasje, ikke la væsken komme i kontakt med huden eller øynene. Dersom kontakt har oppstått, vask området med rikelige mengder vann og oppsøk medisinsk hjelp.**
- f) **Søk medisinsk hjelp umiddelbart hvis en celle eller batteripakke har blitt svelget.**
- g) **Hold batteripakken ren og tørr.**
- h) **Bruk kun batterilader spesifisert av Kress. Bruk ikke andre ladere enn de som er levert for bruk med utstyret.**
- i) **Ikke bruk batteripakker som ikke er beregnet for bruk sammen med utstyret.**
- j) **Hold batteripakken utenfor barns rekkevidde.**
- k) **Ta vare på den originale bruksanvisningen for fremtidig bruk**
- l) **Kvitt deg med produktet på forsvarlig måte.**
- m) **Ikke bland batterier av forskjellig produksjon, kapasitet, størrelse eller type i enheten.**
- n) **Advarsel! Ikke bruk ikke-oppladbare batterier.**

132

Nor

Brukerhåndboks krav for trådløst produkt

- a) Bruk av denne enheten er underlagt følgende to betingelser:
 - (1) Denne enheten kan ikke forårsake skadelig interferens, og
 - (2) denne enheten må akseptere all interferens som mottas, inkludert interferens som kan forårsake uønsket drift.
- b) Forsiktig: Endringer eller modifikasjoner av denne enheten som ikke er uttrykkelig godkjent av parten som er ansvarlig for samsvar, kan ugyldiggjøre brukerens rett til å bruke utstyret.
- c) MERK: Dette utstyret genererer, bruker og kan utstråle radiofrekvensenergi, og hvis det ikke installeres og brukes i samsvar med instruksjonene, kan det forårsake skadelig interferens for radiokommunikasjon. Det er imidlertid ingen garanti for at interferens ikke vil oppstå i en bestemt installasjon. Hvis dette utstyret forårsaker skadelig interferens for radioeller TV-mottak, noe som kan fastslås ved å slå utstyret av

og på, oppfordres brukeren til å prøve å korrigere interferensen med ett eller flere av følgende tiltak:

- Reorienter eller flytt mottakerantennen.
- Øk avstanden mellom utstyret og mottakeren.
- Koble utstyret til en stikkontakt på en annen krets enn den mottakeren er koblet til.
- Konsulter forhandleren eller en erfaren radio/ TV-tekniker for å få hjelp.

Symboler



ADVARSEL – robotgressklippere kan være farlige hvis de brukes på feil måte.

Les nøye gjennom bruksanvisningen og pass på at du forstår innholdet før du bruker robotgressklipperen.



ADVARSEL - hold deg på god avstand fra maskinen når du bruker den.



ADVARSEL – Slå gressklipperen av før du utfører arbeide på eller løfter maskinen.



ADVARSEL – ikke ri på maskinen.



Klasse III apparat



Avfall etter elektriske produkter må ikke legges sammen med husholdningsavfall. Vennligst resirkuler avfallet der dette finnes. Undersøk hos de lokale myndighetene eller en detaljist for resirkuleringsråd.



Litiumionbatteri Som er merket med symbolene knyttet til "separat samling" av alle batteripakker og batteripakker. Det blir deretter resirkulert eller fjernet for å redusere miljøbelastningen. Batteripakken kan være skadelig for miljøet og menneskers helse fordi det inneholder skadelige stoffer.



Må ikke brennes



Hvis det ikke håndteres på riktig måte, kan batteriet komme inn i vannsyklusen, noe som kan forårsake skade på økosystemet. Ikke kast brukte batterier som usortert kommunalt avfall.



Ikke vask maskinen med en høytrykksspyler



Les bruksanvisningen

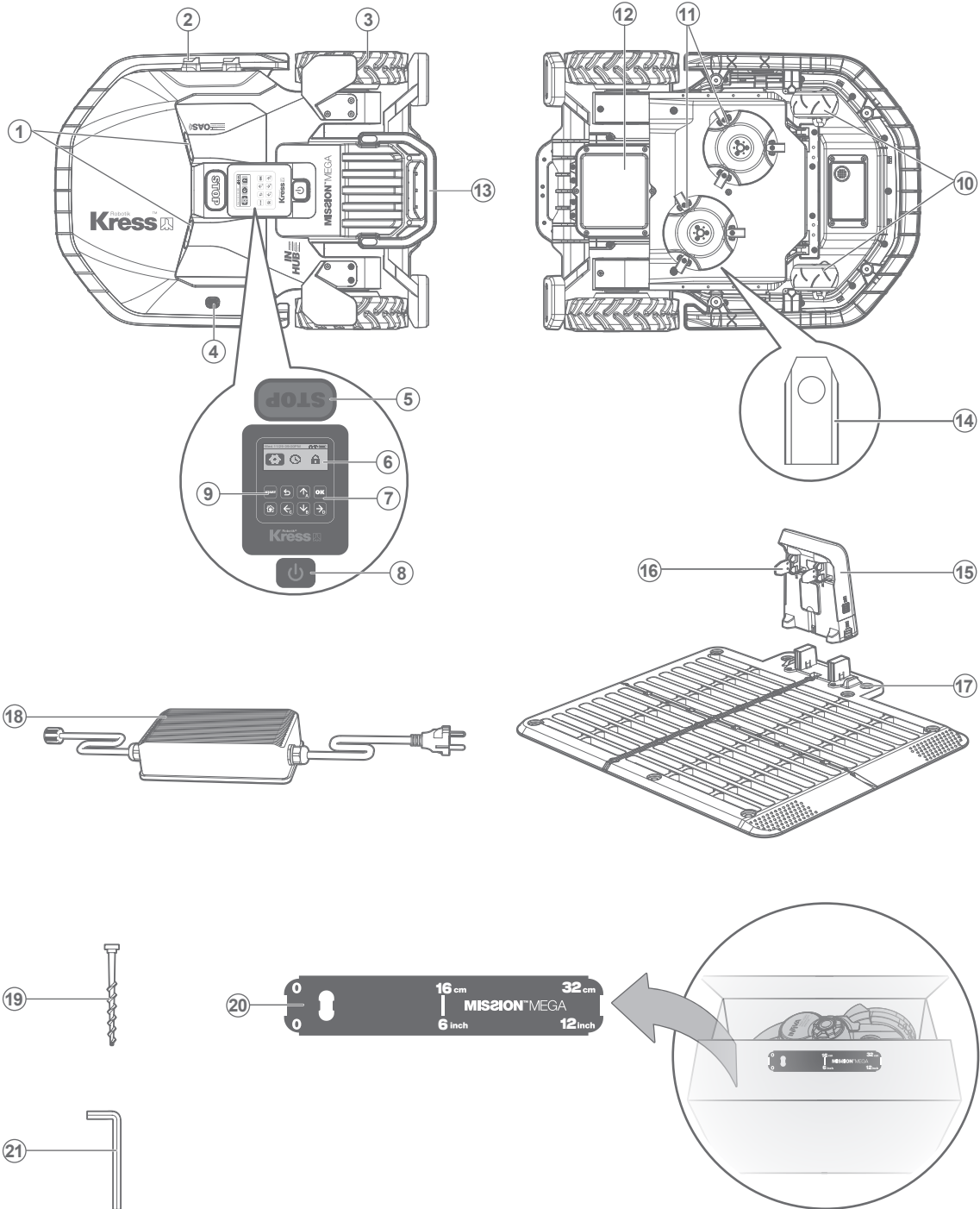


Avtakbar forsyningsenhet



Ikke demonter maskinen uten autorisasjon

Komponentenliste



- | | |
|--------------------|----------------------------|
| 1. Ultralydssensor | 12. Batteri pakke* |
| 2. Ladestrimler | 13. Håndtak |
| 3. Bakhjul | 14. Skjæreblad |
| 4. Regn Sensor | 15. Ladestabel |
| 5. STOPP-knapp | 16. Kontaktpinner |
| 6. Vise | 17. Ladestasjon |
| 7. Tastatur | 18. Strømadapter |
| 8. På / Av Bryter | 19. Lader opp feste negler |
| 9. START-tast | 20. Grensetrådmåler |
| 10. Forhjul | 21. Sekskantnøkkel |
| 11. Bladesvinge | |

* Tilbehør som er beskrevet og illustrert i bruksanvisningen inngår ikke alltid i leveransen.

Tekniske data for Klipperen

Type **KR133E KR136E (100-199 - typebetegnelse til maskin, Robot-gressklipper)**

	KR133E	KR136E
Merkespenning	20V  Max.*	
Hastighet uten belastning	2800/min	3200/min
Kutteområde	Rek. / maks. områdets ytelse: 3000 m ² / 4400 m ²	Rek. / maks. områdets ytelse: 6000 m ² / 6500 m ²
Skjærediameter	35 cm	
Klippehøyde	30-60 mm	
Skjære høye trinn	5 mm	
Batteri type	Lithium-ion	
Batteri modell	KA3006	KA3010
Ladings tid ca.	46 min.	77 min.
Lade modell	KA3717 / KA3817	
Lade vurdering	Inngang: 100-240V~50/60Hz, 230W, Utgang: 28V, 7.0A	
Maskinens vekt	19 kg	19.5 kg
Beskyttelsesklasse	III	
App(Wi-Fi/Bluetooth)	Y	
Maksimal skråning innenfor arbeidsflaten	45%	
Frekvensbånd for Bluetooth (MHz)	2400-2483.5 MHz	
Maksimal overført kraft for Bluetooth (dBm)	8 dBm	
Frekvensbånd for Wi-Fi (MHz)	2400-2483.5 MHz	

Maksimal overført effekt for Wi-Fi (dBm)	20 dBm
Frekvensbånd av det induktive sløyfesystemet	77 Hz
Maksimal. RF-effekt av det induktive sløyfesystemet	82 dB μ A/m

* Spenning målt uten belastning. Batterispenningen er 20 V til å begynne med. Nominell spenning er 18 V.

Tekniske data For GeoTrace


Merkespenning	5V \pm 5%
Driftstemperatur	-10°C ~ +72°C
Lager temperatur	-20°C ~ +75°C

Bånd	Tx (MHz)	Rx (MHz)	Maksimal (EIRP) Overført kraft (dBm)
EGPRS 900MHZ	880~915	925~960	30
EGPRS 1800MHZ	1710~1785	1805~1880	30
NB-IOT Band3	1710~1785	1805~1880	24
NB-IOT Band8	880~915	925~960	24
NB-IOT B20	832~862	791~821	24

136

Nor

Støyinformasjon

	KR133E	KR136E
Belastning lydtrykk	$L_{pA} = 46.72 \text{ dB (A)}, K_{pA} = 0.39 \text{ dB(A)}$	$L_{pA} = 46.5 \text{ dB (A)}, K_{pA} = 1.75 \text{ dB(A)}$
Belastning lydeffekt	$L_{wA} = 57.72 \text{ dB (A)}, K_{wA} = 0.39 \text{ dB(A)}$	$L_{wA} = 57.5 \text{ dB (A)}, K_{wA} = 1.75 \text{ dB(A)}$
Bruk hørselsvern når lydtrykket er over		80dB(A) 

En viss grad av støy fra maskinen er uungåelig. Støyende arbeide må godkjennes og begrenses til visse perioder. Overhold hvileperiode, og begrenns arbeidstid til et minimum. For personlig beskyttels og beskyttelse for mennesker som arbeider i nærheten, må passende hørselsvern benyttes.

Tilleggsutstyr

Skruer	18
Ladestasjon	1
Festeskruer til ladestasjonen	8
Sekskantnøkkel	1
Avstandsmåler for grensetråd	1
Blader	18
Batteripakke (KA3006/KA3010)	1
Lader (KA3717/KA3817)	1

Vi anbefaler at du kjøper alt ekstrautstyr fra butikken der du kjøpte dette verktøyet. Henviser til tilbehørspakningen for videre detaljer. Butikkpersonalet kan også gi hjelp og råd.

Formålsmessig bruk

Dette produktet er beregnet for gressklipping på eiendommer. Den er konstruert for å klippe plenen regelmessig, slik at du får en penere plen en noen gang før. Avhengig av hvor stor plenen er, kan du programmere Mission™ til å arbeide når som helst eller med jevne mellomrom. Den er ikke ment for graving, feiing eller snørydding.

Vedlikehold

Mission™ bør sjekkes av og til. Mission™ jobber hardt, og over tid trenger den en skikkelig rengjøring, og deler må byttes når de er slitt. Bruk aldri Mission™ din med ødelagt På/av-bryter. Slå av maskinen for å utføre enhver type av service eller vedlikehold. Nedenfor skal vi forklare hvordan du tar vare på din Mission™.

1

Hold den skarp

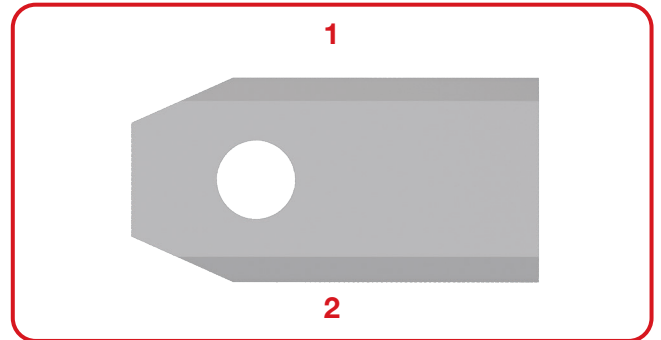


ADVARSEL: Før rengjøring, justering eller bytting av blader må du slå din Mission™ AV, og du må bruke beskyttelseshansker.



ADVARSEL: Ved utskifting av knivene må ALLE knivene skiftes. Bruk alltid nye skruer når du monterer blader. Dette er viktig for å sikre sammenslåingen av bladene og balansen på rotasjonsplaten. Hvis det ikke brukes nye skruer kan det forårsake alvorlig personskade.

Mission™ Kan ikke klippe gress som andre gressklippere. Skjærebladet til dette produktet er veldig skarpt på alle 4 kanter og kan roteres i begge retninger for å oppnå maksimal skjærekapasitet. Mission™ Hvert blad har 4 skjærekanter. Bladroterende disk vil tilfeldig rotere fremover og bakover for å bruke 4 skjærekanter og minimere hyppigheten av bladutskifting. Etter at det nye materialet er tatt i bruk, vil levetiden til hvert blad være tre ganger lengre enn for andre merker av kniver hver dag som er programmert til å klippe. Sjekk alltid kniven for sprekker eller skader, og erstatt i så fall kniven. Når skjærebladet blir sløvt og slitt, bør det byttes ut med reservebladet som følger med Mission™. En Kress-forhandler i nærheten av deg kan også skaffe ekstra kniver.



A. Erstatt bladene

138

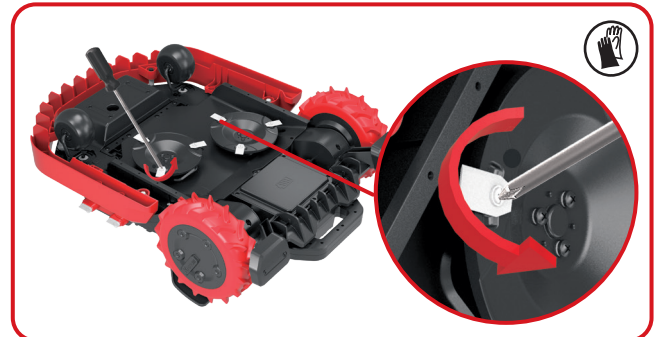
Nor

Normalt må bladene til Mission™ reverseres hver måned og skiftes ut hver 2. måned. Derfor må du bytte alle bladene samtidig. Du kan erstatte dem med et av de ekstra bladsettene og bladskruesettene som fulgte med Mission™.

Før du begynner å skifte ut Mission™ s kniver, skru av strømmen og ta på deg beskyttelseshansker.

Deretter følger du følgende trinn:

1. Snu Mission™ forsiktig rundt.
2. Fjern batteridekselet og ta ut batteriet.
3. Ta skruene av knivene med en skrutrekker
4. Skru de nye bladene godt fast.
5. Sett inn batteriet og batteridekslet.



Viktig: Etter at bladene er skrudd fast i bladskiven, må du sjekke at bladene roterer fritt.

2

Hold den ren



ADVARSEL: Slå AV din Mission™ før rengjøring. Ta på deg beskyttelseshansker før du rengjør bladskiven, og unngå bruk av rennende vann.



ADVARSEL! DIN Mission™ kan bare rengjøres med en slange! IKKE bruk høytrykkspyler på Mission™. Vann med høyt trykk kan komme inn i tetningens indre og skade elektroniske og mekaniske deler.

A. Rengjør kroppen

Hvis det rengjøres regelmessig, vil Mission™ være mer holdbart og vare lenger. Siden Mission™ er en motor, må du være forsiktig når du rengjør den. Rengjøring av støpeslangen. Det er best å bruke en sprayflaske fylt med vann. Når du rengjør kroppen, må du bruke en myk børste eller ren klut, og unngå å bruke løsemidler eller polering. Fjern til slutt alt akkumulert gressklipp og rusk.

B. Vaske undersiden av maskinen

Også nå er det viktig å slå av **Mission™** og ta på **beskyttelseshansker før man rører bladskiven.**

Først, vend din Mission™ opp-ned for å komme til på undersiden. Her ser du bladskiven, motorrammehuset rundt, samt forhjul og drivhjul. Rengjør alt grundig med en myk børste eller fuktig klut.

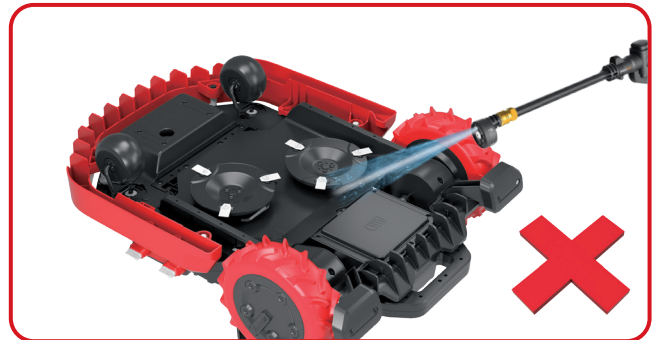
Støtt rengjøring av slangevann.

Roter bladskiven for å sikre at den roterer fritt. Sjekk at bladene spinner fritt rundt festeskruene. Fjern eventuelle hindringer.

VIKTIG: Fjern avfall som har kilt seg fast slik at det ikke forårsaker hakk i bladskiven. Selv små hakk kan forringe Mission™ s klippeegenskaper.

C. Rengjør kontaktpunktene og ladebåndene

Rengjør kontaktpinnen på ladebasen og ladebåndene på Mission™ med en klut. Fjern all oppsamling av klippet gras og avfall rundt kontaktpinnene og ladebåndene med jevne mellomrom for å sikre at Mission™ lades opp hver gang.



3

Batterilevetid

Hjertet i Mission™ er litium-ionbatteriet på 20V. Riktig oppbevaring av batteriet innebærer at det er fulladet og settes på et tørt sted med en temperatur mellom 20°C ± 5°C.

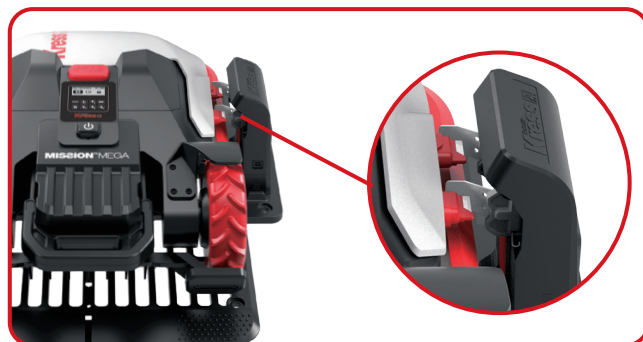
MERK: Den anbefalte brukstemperaturen for Mission™ er mellom 0°C - 45°C.

Levetiden til Mission™ s batteri avhenger av forskjellige faktorer, som for eksempel:

- hvor lang klippesesongen er der du bor
- hvor mange timer Mission™ klipper per dag
- hvordan batteriet behandles under lagring

Mission™ kan lades manuelt uten grensetråden.

1. Koble ladebasen til en passende strømkilde. Det grønne lyset på ladestasjonen vil slås på.
2. Forankre Mission™ manuelt i ladebasen mens Mission™ er slått av.
3. Lampen på ladebasen blinker grønt, Mission™ vil starte å lade.



4

Vinterdvale

140

Nor

Mission™ får lengre levetid og fungerer bedre hvis den får gå i dvale om vinteren. Så selv om det er tørt, anbefaler vi at du lagrer Mission™ i uteboden eller garasjen om vinteren.

Før du lagrer Mission™ for vinteren, må du huske følgende:

- Rengjør Mission™ skikkelig.
- Lad batteriet helt opp.
- Slå av strømmen.

For å maksimere batteriets levetid, må du lade batteriet helt før du lagrer det om vinteren.

⚠ ADVARSEL: Beskytt undersiden av Mission™ -en mot vann. Lagre ALDRI Mission™ opp-ned utendørs.

Grensetråden kan bli liggende på bakken, men endene bør beskyttes, for eksempel ved å plassere dem i en hermetikkboks med smørefett. Hvis ladestasjonen står ute om vinteren, la grensetråden være koblet til.

MERK: Forsikre deg om at ladestangen og kontaktpinnene er rene når du gjør Mission™ for å gjenoppta arbeidet etter dvalemodus. Vi anbefaler at du bruker en smerteduk av høy kvalitet for å rengjøre kontaktene. Bruk appen, sørg for at datoen og klokkeslettet er riktig, og send deretter Mission™ tilbake til det den liker å gjøre: klipping.

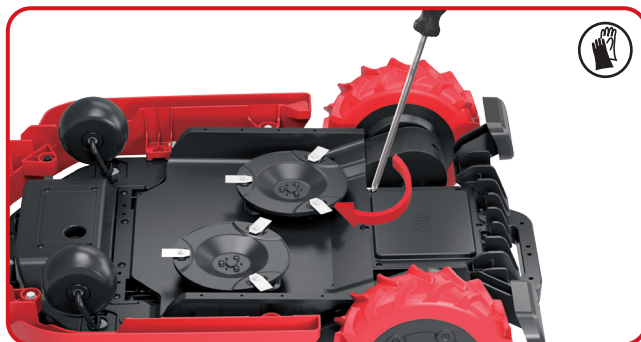
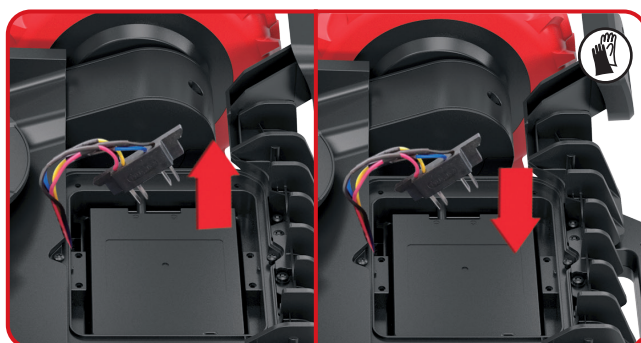
5

Bytt ut batteriet

⚠ ADVARSEL: Slå av maskinen før du justerer, bytter eller reparerer noe som helst.
Før bytting av blader må du slå din Mission™ AV, og du må bruke beskyttelseshansker.

Når du skal bytte batteriet, følger du disse trinnene:

1. Snu Mission™ forsiktig opp-ned.
2. Fjern de skruene fra batteriet. Ta av batteridekselet.
3. Koble fra kontakten. Bytt ut det gamle batteriet med det nye. Koble deretter kontakten.
4. Sett dekselet tilbake på plass og fest skruene godt.



Feilsøking

Hvis Mission™ ikke fungerer som den skal, kan du bruke veiviseren for feilsøking nedenfor. Hvis problemet ikke løses, tar du kontakt med forhandleren.

Symptom	Årsak	Løsning
LED-lyset på ladestasjonen slås ikke på.	Det er ikke noe strøm.	Sjekk at strømledningen er riktig koblet til laderen, og at laderen er koblet til en egnet strømforsyning.
Rødt lys slår på ladebasen.	Grenseledningen er ikke koblet til.	Sjekk at grenseledningen er riktig koblet til ladestasjonen. Kontroller grenselinjen for brudd, spesielt på enden av ledningen.
Din Mission™ er innenfor dens område, men displayet viser "outside working area"(utenfor arbeidsområdet), og LED-lampen er grønn.	Grenseledningens ender er feil koblet til.	Snu om på koblingene av endene på grenseledningen.
Mission™ klarer ikke å forankre seg riktig til ladebasen.	Påvirkning i omgivelsene.	Start Mission™ på nytt.
	Dårlig kobling på grunn av skitt på ladekontakten.	Rengjør kontaktpinnene som befinner seg på basen på ladestasjonen og ladestripen på din Mission™ med et håndkle.
Mission™ går utenfor grenseledningen. Mission™ klipper ikke et område innenfor grenseledningsområdet. Mission™ går bakover eller roterer feil nær grenseledningen.	Grensetråden til en annen Mission™ eller en robotgressklipper av et annet merke er posisjonert for nær.	Kontroller at det er minst 1 m mellom grensetråden din Mission™ bruker og grensetråden som naboens robotgressklipper bruker.
	Grensemarkeringswiren er installert med skarpe kanter.	Kontroller at hjørnene til grensemarkerings-wiren er jevne
	Under våte forhold kan det oppstå feil på det elektriske signalet ved lekkasje der som grenseledningen har blitt skjøtet eller reparert.	Sjekk grenseledningens sammenkoblinger. Isoler for å oppnå en fullstendig vanntett kobling.
	Det er brudd på grenseledningens elektriske signal som følge av brutt isolasjon.	Reparere skadet begrensingskabelisolasjon med kontakter.
	Området for klipping er større enn tillatt klippeområde for Mission™.	Reduser skjæreamrådet eller bruk Mission™.
Mission™ går utenfor grenseledningen på grunn av høy hastighet når den går ned en bakke	Grenseledningen er plassert på en helling som er brattere enn 17% (10°).	Flytt grenseledningen unna hellinger som er brattere enn 17% (10°).
Plasseringen av Mission™ kan ikke vises nøyaktig på appen, eller stedet kan ikke detekteres.	GPS-signaler påvirkes av vær eller noen forstyrrelser.	1. Kontroller og bekreft: Mission™ er ikke opp eller ned; Mission™ er ikke dekket av visse metallobjekter. 2. Ta Mission™ til et åpent område hvor du kan få et bevegelsessignal.
	Du bruker ikke den nyeste versjonen av Mission™-appen.	Oppdater Mission™-appen til den nyeste versjonen.

Mission™ vil ikke varsle når den er utenfor Geo-gjerdet.	Mission™-programvaren er ikke oppdatert.	Oppdater Mission™-programvaren før du bruker GeoTrace.
	Det er en liten toleransesone på utsiden av GeoTraces periferi.	Flytt Mission™ utenfor toleranseområdet (ca. 30 meter fra Geo-gjerdet) for å bekrefte at GeoTrace fungerer som den skal.
	Slå på GeoTrace.	Slå på Mission™ og opplad det hvis det er nødvendig. Hvis du ikke trenger å lade, kan du lade FindMyMission™-GeoTrace lades med et Mission™ PowerShare-batteri. (Det interne batteriet til GeoTrace kan brukes i en uke etter at maskinen er slått av.)
	Geofence er ikke angitt, eller geofensens radius er ikke angitt.	Bruk Mission™ app for å sette det opp riktig.
	Mission™ er slått av.	I dette tilfellet vil varselet bli sendt 10 minutter etter at Mission™ er hentet til Geo gjerdet.
Mission™ er fortsatt gyldig utenfor Geo Fence.	Geofence er ikke angitt, eller geofensens radius er ikke angitt.	Bruk Mission™ app for å sette det opp riktig.
	Geo Fence er ikke aktivert.	
Mission™ fungerer fint, men kommunikasjon mellom Mission™ og smarttelefon virker ikke.	Mobildekningens dekning av GeoTrace er svak.	Sjekk om signalet er svakt. Flytt i så fall til området med et godt signal.
	FindMyMission™-GeoTrace er skadet.	Kontakt forhandleren din og kontroller om det er riktig.
	Mission™-programvaren er ikke oppdatert.	Oppdater Mission™-programvaren.
	Appen må oppdateres.	Oppdater søknaden din før du bruker GeoTrace.
	Modulets SIM-kort er ikke aktivert.	Før du bruker for første gang, må du kontrollere at du har aktivert SIM-kortet ved å følge trinnene i Mission™ App.
	GeoTrace er ikke riktig koblet til Mission™	Kontakt forhandleren din .Klikk for å kontrollere at modulkontakten er riktig satt inn.
	Mission™ har ingen strøm.	Sjekk om Mission™-skjermen er tent. Hvis ikke, returner Mission™ til ladestasjonen for lading eller for å starte et nødprogram for å lade det.
SIM-kortets abonnementsavgift er utløpt.	Etter utløpet må den oppdateres.	
Mission™ implementerer ikke sanntidsposisjonering, eller plasseringen av Mission™ kan ikke oppdateres i sanntid.	GeoTrace er designet for å oppdatere posisjonering hvert 10. minutt for energibesparelser. Når Mission™ har lav strømkapasitet, vil oppdateringstiden for posisjonering være lengre.	Dette er normalt. Ingen handling er nødvendig.
	Hvis Mission™ er slått av i mer enn 24 timer i Geo gjerdet for lagring, vil GeoTrace automatisk slå seg av og det vil ikke være noe GPS-signal.	

MERK:

1. Modulbatteriet må byttes ut av en serviceagent.
2. Sørg for at Mission™ er jevnlig ladet under lagring, og det anbefales å bruke det hver 6 måneder.
3. Etter at SIM-abonnementsavgiften har gått ut, må GeoTrace oppdateres.

Miljøverntiltak



Avfall etter elektriske produkter må ikke legges sammen med husholdningsavfall. Vennligst resirkuler avfallet der dette finnes. Undersøk hos de lokale myndighetene eller en detaljist for resirkuleringsråd.

Samsvarserklæring

Vi,
Positec Germany GmbH
Postfach 32 02 16, 50796 Cologne, Germany

På vegne av Positec erklær at produktet

Beskrivelse **Robot-gressklipper**

Type **KR133E KR136E (100-199 - typebetegnelse til maskin, Robot-gressklipper)(År, artikkelnummer og måned for serienummer er plassert på siste side. Det fullstendige serienummeret vises tydelig på vedlegget til gressklipperen) med batterilader KA3717/KA3817 og ladebase KA0072/ KA0073**

Funksjon **Gressklipping**

Samsvarer med følgende direktiver,

2006/42/EC, 2014/30/EU, 2014/35/EU, 2011/65/EU, 2000/14/EC revidert ved 2005/88/EC, 2014/53/EU

2000/14/EC revidert ved 2005/88/EC
- Tilpassningsbedømmelse Utført ifølge
- Målt Lydkraftniv
- Erklært Garantert Lydkraftniv

KR133E
Anneks V
57.72 dB (A)
59 dB (A)

KR136E
Anneks V
57.5 dB (A)
59.3 dB (A)

Det tekniske kontrollorganet Intertek, Semko AB, NB-No. 0413 har utført en EU-undersøkelse i henhold til direktiv 2014/53/EU og har utstedt følgende EU-undersøkelsessertifikat: SE-RED-2200106

GeoTrace:

Den notifiserte gruppen involvert

Navn: TIMCO ENGINEERING, Inc (Den notifiserte gruppen involvert CE1177)

Adresse:849 NW State Road 45, Newberry, Florida 32669, USA

144

Nor

Standardene samsvarer med,

For gressklipper: EN 50636-2-107:2015+A1:2018+A2:2020+A3:2021, EN 60335-1:2012+A11:2014+A13:2017+A1:2019+A2:2019+A14:2019+A15:2021, EN IEC 62311:2020, EN IEC 55014-1:2021, EN IEC 55014-2:2021, EN IEC 61000-3-2:2019+A1:2021, EN 61000-3-3:2013+A1:2019+A2:2021

For induksjons-sløyfesystem: EN 303 447 V1.1.1

For ultrasonisk modul: EN 55011:2016+A11:2020

For Bluetooth og WIFI-modul (2,4G): EN 301 489-1 V2.2.3, EN 301 489-17 V3.2.4, EN 300 328 V2.2.2

For 4G+GPS-modul: EN 301 489-1 V2.2.3, EN 301 489-19 V2.1.1, EN 301 489-52 V1.2.1, EN 301 511 V12.5.1, EN 301 908-1 V13.1.1, EN 301 908-13 V13.1.1, EN 303 413 V1.1.1

For lader: EN IEC 55014-1:2021, EN IEC 55014-2:2021, EN IEC 61000-3-2:2019+A1:2021, EN

61000-3-3:2013+A1:2019+A2:2021, EN IEC 60335-2-29:2021+A1:2021, EN 60335-1:2012+A11:2014+A13:2017+A1:2019+A2:2019+A14:2019+A15:2021, EN 62233:2008

For støy: EN ISO 3744:2005

For RoHS: EN IEC 63000:2018

Personen som er autorisert til å utarbeide den tekniske filen,

Navn **Marcel Filz**

Adresse **Positec Germany GmbH Postfach 32 02 16, 50796 Cologne, Germany**



2023/09/19

Allen Ding

Visesjefsingeniør, Testing og Sertifisering

Positec Technology (China) Co., Ltd.

18, Dongwang Road, Suzhou Industrial

Park, Jiangsu 215123, P. R. China

Användare kan se de elektroniska bruksanvisningarna på <https://www.kress.com/en/>.

Produktsäkerhet

Allmänna säkerhetsvarningar



WARNING: Läs alla säkerhetsvarningar och alla instruktioner. Underlåtenhet att följa varningarna och instruktionerna kan leda till elektriska stötar, brand och/eller allvarliga skador.

Läs noga igenom bruksanvisningen för säker drift av maskinen.

Spara alla varningar och instruktioner för framtida referens.

- Denna apparat är inte avsedd att användas av personer (inklusive barn) med nedsatt fysisk, sensorisk eller mental förmåga, eller brist på erfarenhet och kunskap, såvida de inte har fått övervakning eller instruktioner om användning av apparaten av en person som ansvarar för deras säkerhet.
- Barn bör hållas under uppsikt så att de inte leker med apparaten.
- Denna apparat innehåller batterier som endast kan bytas ut av skickliga personer. **WARNING:** Använd endast den avtagbara matningsenheten som medföljer apparaten för laddning av batteriet.

Viktigt

LÄS NOGA INNAN DU ANVÄNDER KEEP FOR FUTURE REFERENCE

Säkra driftsmetoder Utbildning

- Läs instruktionerna noggrant. Se till att du förstår instruktionerna och känner till reglagen och korrekt användning av apparaten.
- Låt aldrig personer som inte känner till dessa instruktioner eller barn använda apparaten. Lokala bestämmelser kan begränsa operatörens ålder.
- Operatören eller användaren är ansvarig för olyckor eller faror som inträffar för andra personer eller deras egendom.

Förberedelse

- Se till att gränskabeln installeras korrekt enligt anvisningarna.
- Inspektera regelbundet det område där apparaten ska användas och ta bort alla stenar, pinnar, ledningar, ben och andra

främmande föremål.

- Kontrollera regelbundet visuellt att bladen, bladbultarna och fräsenheten inte är slitna eller skadade. Byt ut slitna eller skadade blad och bultar i uppsättningar för att bevara balansen.
- På flerspindelapparater bör du se till att roterande ett blad kan få andra blad att rotera.
- WARNING!** Gräsklipparen får inte användas utan skyddet på plats.

Drift

1. General

- Använd aldrig apparaten med defekta skydd eller utan säkerhetsanordningar, till exempel deflektorer, på plats.
- Placera inte händer eller fötter nära eller under roterande delar. Håll dig alltid borta från urladdningsöppningen.
- Plocka aldrig upp eller bär en apparat medan motorn är igång.
- Se till att produkten är avstängd:
 - Innan du tar bort något som fastnat;
 - Innan du inspekterar, rengör eller reparerar enheten;
 - Efter att ha kört på ett främmande föremål ska maskinen inspekteras för skador;
 - Börjar maskinen vibrera onormalt, ska den undersökas innan omstart.
- Det är inte tillåtet att ändra den ursprungliga utformningen av robotgräsklippare. Alla ändringar görs på egen risk.
- Starta robotgräsklipparen enligt instruktionerna. När strömmen är påslagen, se till att hålla händer och fötter borta från de roterande bladen. Lägg aldrig händer och fötter under gräsklipparen.
- Lyft aldrig upp robotgräsklipparen eller bär den när strömmen är påslagen.
- Låt inte personer som inte vet hur robotgräsklipparen fungerar och betar sig använda gräsklipparen.
- Lägg inte något ovanpå robotgräsklipparen eller dess laddningsstation.
- Låt inte robotgräsklipparen användas med en defekt bladskiva eller kaross. Det bör inte heller användas med defekta blad, skruvar, muttrar eller kablar.
- Stäng alltid av robotgräsklipparen när du inte tänker använda gräsklipparen. Robotgräsklipparen kan bara starta när strömmen är påslagen och rätt PIN-kod har angetts.
- Håll händer och fötter borta från de roterande bladen. Placera aldrig händer eller fötter nära

eller under kroppen när robotgräsklipparen är i drift.

- m) För att undvika att använda maskinen och dess kringutrustning vid dåliga väderförhållanden, särskilt när det finns risk för blixtnedslag.
- n) Pricka för att vidröra rörliga farliga delar innan dessa har kommit till ett fullständigt stopp.
- o) För maskiner som används i allmänna utrymmen ska dessa varningsskyltar placeras runt maskinens arbetsområde. De skall visa innehållet i följande text: Varning! Automatisk gräsklippare! Håll dig borta från maskinen! Övervaka barn!

2. Dessutom när apparaten används automatiskt

- a) Lämna inte maskinen för att arbeta obevakat om du vet att det finns husdjur, barn eller personer i närheten.

Underhåll och lagring

 **Varning! När gräsklipparen vänds upp och ner ska strömmen alltid vara avstängd.**

Strömmen ska vara avstängd under allt arbete på gräsklipparens underrede, som t.ex. rengöring eller byte av blad.

- a) Håll alla muttrar, bultar och skruvar täta för att vara säker på att apparaten är i säkert skick.
- b) Inspektera robotgräsklipparen varje vecka och byt ut slitna eller skadade delar mot säkerhet.
- c) Kontrollera särskilt att bladen och bladskivan inte är skadade. Byt ut alla blad och skruvar samtidigt om det behövs så att de roterande delarna är balanserade.
- d) Se till att endast utbytesskärningsmedel av rätt typ används.
- e) Se till att batterierna laddas med rätt laddare som rekommenderas av tillverkaren. Felaktig användning kan leda till elektriska stötar, överhettning eller läckage av frätande vätska från batteriet.
- f) Vid läckage av elektrolytspolning med vatten/neutraliserande medel, uppsök läkare om det kommer i kontakt med ögonen etc.
- g) Service av apparaten ska ske enligt tillverkarens anvisningar.

Rekommendation

För att ansluta maskinen och/eller dess kringutrustning endast till en matningskrets som skyddas av en jordfelsbrytare med en utlösningström på högst 30 mA.

Kvarstående risker

Använd skyddshandskar när du byter ut bladen för att undvika skador.

Transport

Originalförpackningen ska användas vid transport av robotgräsklippare över långa avstånd.

Så här flyttar du formuläret eller inom arbetsområdet på ett säkert sätt:

- a) Tryck på STOP-knappen för att stoppa gräsklipparen. Du väljer den fyrsiffriga PIN-koden när du startar gräsklipparen för första gången.
- b) Stäng alltid av robotgräsklipparen om du tänker bära gräsklipparen.
- c) Bär gräsklipparen i handtaget baktill under gräsklipparen. Bär gräsklipparen med bladskivan bort från karossen.

KRAV PÅ RF exponering

För att uppfylla kraven på RF-exponering bör ett separationsavstånd på 200 mm eller mer hållas mellan denna anordning och personer under enhetens drift.

För att säkerställa efterlevnad rekommenderas inte operatörer på närmare håll än detta avstånd. Antennen som används för denna sändare får inte placeras tillsammans med någon annan antenn eller sändare.

Det är en klass III-apparat och ska endast strömförsörjas med extra låg säkerhetsspänning som motsvarar märkningen på apparaten.

Underhåll

- 1) **Se till att din utrustning servas av en kvalificerad reparatör som endast använder identiska reservdelar.** Detta säkerställer att utrustningens säkerhet upprätthålls.
- 2) **Serva aldrig skadat batteri.** Service av batteriet får endast utföras av tillverkaren eller auktoriserade tjänsteleverantörer.

Säkerhetsvarningar för batteripaket inuti verktyget

- a) **Demontera, öppna eller strimla inte batteripaketet.**
- b) **Kortslut inte ett batteripaket. Förvara inte batteripaket slumpmässigt i en låda eller låda där de kan kortsluta varandra eller kortslutas av ledande material.** När batteripaketet inte används, håll det borta från andra metallföremål, som gem, mynt, nycklar, naglar, skruvar eller andra små metallföremål, som kan göra en anslutning

från en terminal till en annan. Om du kortsluter batteripolerna tillsammans kan det orsaka brännskador eller brand.

- c) **Utsätt inte batteripaketet för värme eller eld. Undvik förvaring i direkt solljus.**
- d) **Låt inte batteripaketet stöta mekaniskt.**
- e) **Låt inte vätskan komma i kontakt med huden eller ögonen om batteriet läcker. Om kontakt har tagits, tvätta det drabbade området med rikliga mängder vatten och uppsök läkare.**
- f) **Uppsök omedelbart läkare om en cell eller ett batteripaket har svalts.**
- g) **Håll batteripaketet rent och torrt.**
- h) **Ladda endast med laddaren som anges av Kress. Använd inte någon annan laddare än den som är särskilt försedd med utrustningen.**
- i) **Använd inte något batteripaket som inte är konstruerat för användning med utrustningen.**
- j) **Förvara batteripaketet utom räckhåll för barn.**
- k) **Behåll den ursprungliga produktlitteraturen för framtida referens.**
- l) **Kassera ordentligt.**
- m) **Blanda inte celler med olika tillverkning, kapacitet, storlek eller typ i en anordning.**
- n) **Varning! Icke-uppladdningsbara batterier ska inte användas.**

Bruksanvisningskrav för trådlös produkt

- a) Enheten får endast användas under förutsättning att följande två villkor är uppfyllda:
 - (1) Enheten får inte orsaka skadlig störning och.
 - (2) enheten måste acceptera all mottagen störning, inklusive störningar som kan orsaka oönskad användning.
- b) **Försiktighet:** Ändringar eller modifieringar av denna enhet som inte uttryckligen godkänts av parten som är ansvarig för dess uppfyllelse kan upphäva användarens rätt att använda utrustningen.
- c) **NOTERA:** Utrustningen alstrar, använder och kan avge radiofrekvensenergi och om den inte installeras och används i enlighet med instruktionerna kan den orsaka skadliga störningar på radiokommunikation. Det finns dock inte någon garanti för att störning inte inträffar i en specifik installation. Om utrustningen orsakar skadliga störningar vid mottagning av radio- eller tv-mottagning, vilket kan fastställas genom att stänga av och slå

på utrustningen, uppmanas användaren att försöka korrigera störningen genom en eller flera av följande åtgärder:

- Rikta om eller flytta mottagningsantennen.
- Öka avståndet mellan utrustningen och mottagaren.
- Anslut enheten till ett uttag som hör till en annan krets än den som mottagaren är ansluten till.
- Kontakta återförsäljaren eller en erfaren radioeller TV-tekniker för att få hjälp.

Symboler



VARNING – robotgräsklippare kan vara farlig om den används felaktigt. Läs igenom användarhandboken noggrant och förstå innehållet innan du använder din robotgräsklippare.



VARNING - Håll ett säkert avstånd från maskinen när du använder den.



VARNING – Använd inaktiveringsanordningen innan du arbetar på eller lyfter maskinen.



VARNING – Kör inte på maskinen.



Klass III-apparat



Elektriska produkter får inte kastas med hushållsavfall. Vänligen återvinn där det finns faciliteter. Kontakta lokala myndigheter eller återförsäljare för återvinningsråd.



Li-Ion batteri. Denna produkt har märkts med en symbol som rör "separat insamling" för alla batteripaket och batteripaket. Den kommer sedan att återvinnas eller demonteras för att minska miljöpåverkan. Batteripaket kan vara farliga för miljön och människors hälsa eftersom de innehåller farliga ämnen.



Bränn dig inte.



Batterier kan komma in i vattencykeln om de kasseras felaktigt, vilket kan vara farligt för ekosystemet. Kasta inte förbrukade batterier som osorterat kommunalt avfall.



Tvätta inte maskinen med högtryckstvätt



Läs bruksanvisningen

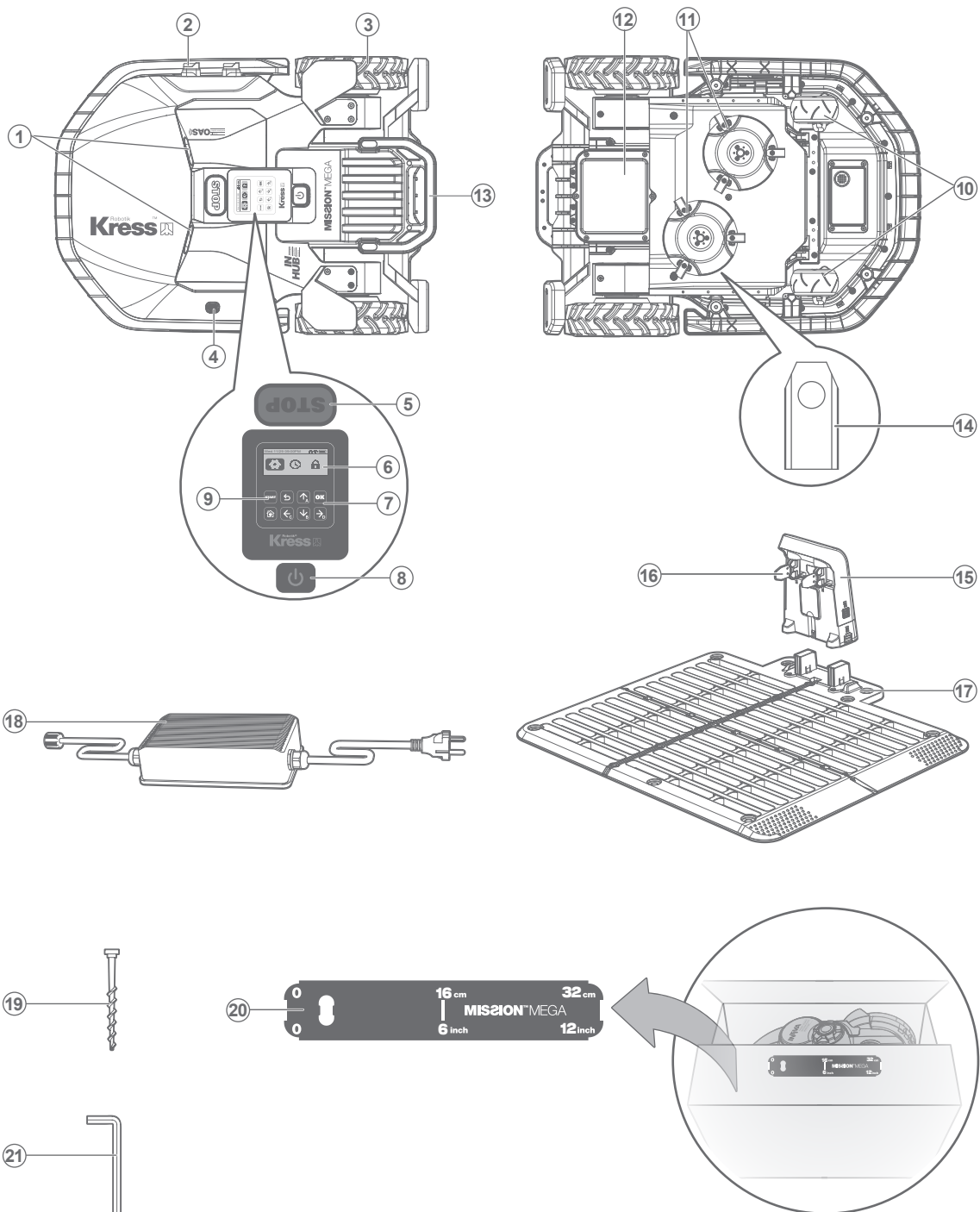


Avtagbar matningsenhet



Förbjud att maskinen demonteras utan tillstånd

Komponentlista



- | | |
|---------------------|----------------------------------|
| 1. Ultraljudssensor | 12. Batteripaket* |
| 2. Laddningsremsor | 13. Hantera |
| 3. Bakre körhjul | 14. Skärblad |
| 4. Regnsensor | 15. Laddningshög |
| 5. KNAPPEN STOPP | 16. Kontaktnålar |
| 6. Visa | 17. Laddningsbas |
| 7. Knappsatsen | 18. Nätadapter |
| 8. PÅ/AV-tangent | 19. Fästspikar för laddningsbas |
| 9. START-tangenten | 20. Avståndsmätare för gränstråd |
| 10. Framhjulet | 21. Hex-nyckel |
| 11. Bladsvarvskiva | |

* Alla tillbehör som illustreras eller beskrivs ingår inte i standardleveransen.

Tekniska data för gräsklippare

Typ **KR133E KR136E (100-199 - maskinbeteckning, representant för Robotgräsklippare)**

	KR133E	KR136E
Märkspänning	20V \equiv Max.*	
Ingen belastningshastighet	2800/min	3200/min
Skärområde	Rek. / max yta prestanda: 3000 m ² /4400 m ²	Rek. / max yta prestanda: 6000 m ² /6500 m ²
Skärdiameter	35 cm	
Skärhög	30-60 mm	
Steg vid klippning av högt gräs	5 mm	
Batterityp	Litiumjon	
Batterimodell	KA3006	KA3010
Laddningstid ca.	46 min.	77 min.
Laddare modell	KA3717 / KA3817	
Laddare betyg	Ingång: 100-240V~50/60Hz, 230W, Utgång: 28V, 7.0A	
Maskinens vikt	19 kg	19.5 kg
Skyddsexamen	III	
App(Wi-Fi/Bluetooth)	Y	
Maximal lutning inom arbetsytan	45%	
Frekvensband för Bluetooth (MHz)	2400-2483.5 MHz	
Maximal sändareffekt för Bluetooth (dBm)	8 dBm	
Frekvensband för WiFi (MHz)	2400-2483.5 MHz	
Maximal överförd effekt för WiFi (dBm)	20 dBm	

Frekvensband för det induktiva loop-systemet	77 Hz
Maximal RF-effekt i det induktiva loop-systemet	82 dB μ A/m

* Spänning mätt utan belastning. Den ursprungliga batterispänningen når maximalt 20 volt. Nominell spänning är 18 volt.


Tekniska data För GeoTrace

Märkspänning	5V \pm 5%
Drifttemperatur	-10°C ~ +72°C
Lagringstemperatur	-20°C ~ +75°C

Band	Tx (MHz)	Rx (MHz)	Maximal (EIRP) överförd effekt (dBm)
EGPRS 900MHZ	880~915	925~960	30
EGPRS 1800MHZ	1710~1785	1805~1880	30
NB-IOT Band3	1710~1785	1805~1880	24
NB-IOT Band8	880~915	925~960	24
NB-IOT B20	832~862	791~821	24

151
Sv

Bullerdata

	KR133E	KR136E
Ett viktat ljudtryck	$L_{pA} = 46.72 \text{ dB (A)}, K_{pA} = 0.39 \text{ dB(A)}$	$L_{pA} = 46.5 \text{ dB (A)}, K_{pA} = 1.75 \text{ dB(A)}$
En viktad ljudeffekt	$L_{wA} = 57.72 \text{ dB (A)}, K_{wA} = 0.39 \text{ dB(A)}$	$L_{wA} = 57.5 \text{ dB (A)}, K_{wA} = 1.75 \text{ dB(A)}$
Använd hörselskydd när ljudtrycket är över		80dB(A) 

En viss grad av buller från maskinen kan inte undvikas. Rutt bullrigt arbete ska vara licensierat och gränser för vissa perioder. Håll viloperioder och de kan behöva begränsa arbetstiden till ett minimum. För deras personliga skydd och skydd av personer som arbetar i närheten ska ett lämpligt hörselskydd bäras.

Tillbehör

Skruv	18
Laddstation	1
Fästspikar för laddningsbas	8
Hex-nyckel	1
Avståndsmätare för gränstråd	1
Blad	18
Batteripaket (KA3006/KA3010)	1
Laddare (KA3717/KA3817)	1

Vi rekommenderar att du köper äkta tillbehör listade i listan ovan från samma butik som sålde verktyget till dig. Se tillbehörsförpackningen för mer information. Butikspersonal kan hjälpa dig och ge råd.

Avsedd användning

Trädgårdsprodukten är avsedd för gräsklippning. Den är utformad för att klippa ofta, upprätthålla en hälsosammare och snyggare gräsmatta än någonsin tidigare. Beroende på gräsmattans storlek kan Mission™ programmeras att fungera när som helst eller frekvens. Den är inte avsedd för grävning, sotning eller snörengöring.

152

Sv

Underhåll

Din Mission™ arbetar hårt och måste rengöras och kontrolleras då och då. Vissa delar kommer att behöva bytas ut när de blir slitna. Använd aldrig din Mission™ med defekt på/av-knapp.

Stäng av maskinen innan du utför service eller underhåll.

Så här tar du hand om din Mission™.

1

Håll den skarp



WARNING: Innan du rengör, justerar eller byter ut bladen stänger du av din Mission™ och tar på dig skyddshandskar.



WARNING: När du monterar nya blad, se till att du byter ut alla blad. Använd alltid nya skruvar vid montering av blad. Detta är viktigt för att säkerställa bladretention och balansera bladsvarvskivan. Underlåtenhet att använda nya skruvar kan orsaka allvarliga skador.

Mission™ klipper inte gräs som andra gräsklippare. Dess skärblad är knivskarpa på 4 kanter och roterar i båda riktningarna för maximal skärkapacitet. Varje blad i din Mission™ har 4 skäreppen. Bladsvarvskivan kommer att göra framåt- och omvänd rotation slumpmässigt för att använda 4 skäreppen och minimera frekvensen för att byta bladen. Och med nytt material kommer livslängden för varje skärblad att vara 3 gånger längre än för andra märken när det är programmerat att klippa varje dag. Kontrollera alltid om bladen är flisade eller skadade och byt ut dem om de är det. När skärbladen är tråkiga och utslitna bör de bytas ut mot de extra blad som medföljer din Mission™. Reservblad finns också hos din närmaste Kress-återförsäljare.

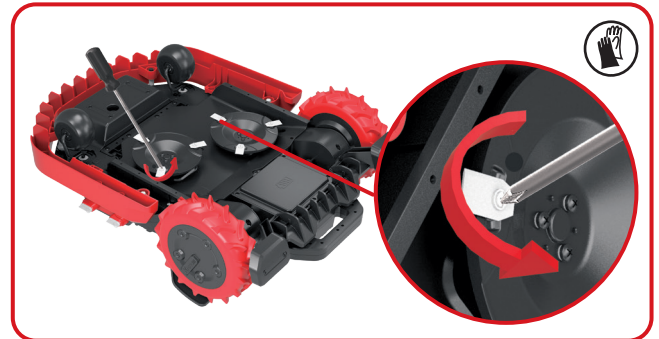
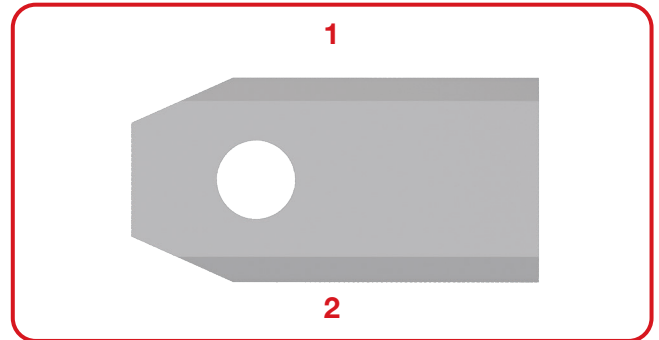
A. Byt ut bladen

Vanligtvis ska bladen i Mission™ vändas varje månad och bytas ut varannan månad. När du byter ut bladen, se till att byta ut dem alla samtidigt. Du kan ersätta dem med en av de extra bladsatserna och extra bladskruvar som medföljer din Mission™.

Innan du försöker byta ut ditt Mission™s blad, stäng av strömmen och sätt på skyddshandskar och följ dessa steg:

1. Vänd försiktigt mission™.
2. Ta bort batteriluckan och ta ur batteriet.
3. Ta bort skruvarna från bladen med en skruvmejsel.
4. Skruva fast de nya bladen ordentligt.
5. Sätt tillbaka batteriet och batteriluckan.

Viktigt: När du har skruvat fast klingan på bladskivan, se till att bladet kan snurra fritt.



2

Håll den ren

! **WARNING: Stäng av din Mission™ innan du rengör blad-varvningsskivan innan du rengör klingan och skölj eller spola inte med vatten.**

! **Varning! DIN Mission™ kan endast tvättas med hjälp av en slang! Använd INTE högtryckstvätt på din Mission™. Högtrycksvatten kan gå in i tätningarna och skada elektroniska och mekaniska delar.**

A. Rengöring av kroppen

Din Mission™ kommer att leva ett mycket lyckligare och längre liv om det rengörs regelbundet. Eftersom din Mission™ är en elektrisk maskin måste du vara försiktig vid rengöring. Rengöring av slangvatten stöds. Det är bäst att använda en sprayflaska fylld med vatten. När du rengör maskinkroppen, använd en mjuk borste eller ren trasa och undvik att använda lösningsmedel eller polermedel. Slutligen, ta bort all uppbyggnad av gräsklipp och skräp.

B. Rengöring av undersidan

Återigen är det viktigt att du driver av Mission™ och bär skyddshandskar innan du vidrör klingsvarvningsskivan. Vänd först din Mission™ upp och ner för att exponera dess undersida. Här ser du klingskivan, chassit och framhjulet och drivhjulen. Rengör allt noggrant med en mjuk borste eller fuktig trasa. Rengöring av slangvatten stöds.

154

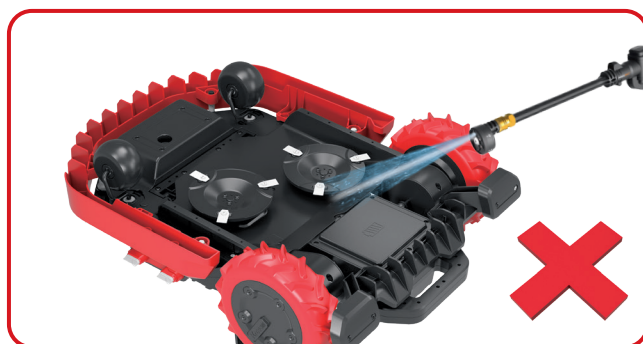
Sv

Rotera bladskivan för att säkerställa att den roterar fritt. Kontrollera att bladen snurrar fritt runt fästskruvarna. Ta bort eventuella hinder.

VIKTIGT: Ta bort eventuellt inlagt skräp så att det inte orsakar en spricka i bladskivan. Även den minsta sprickan kan minska din Mission™s klipputgång.

C. Rengör kontaktstiften och laddningsremarna

Rengör kontaktstiften på laddningsstationen och laddningsremarna på Mission™ med en trasa. Ta bort allt gräs eller skräp runt kontaktstiften och laddningsremarna regelbundet för att säkerställa att Mission™ laddas varje gång.



3

Batteritid

Hjärtat i Mission™ är dess 20V Li-Ion-batteri. För korrekt förvaring av batteriet, se till att det är fulladdat och hålls på en sval torr plats mellan (20°C ± 5°C).

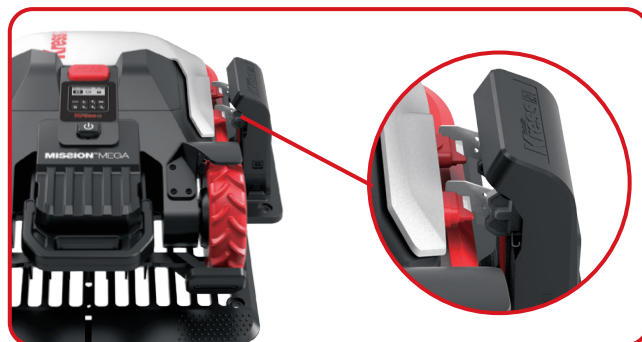
OBS: Rekommendera Mission™ driftstemperatur är mellan 0°C - 45°C.

Livslängden på Mission™s batteri beror på olika faktorer, till exempel:

- Klippsäsongens längd i din region
- Antal timmar som Mission™ klipper per dag
- Batteriunderhåll under lagring

Mission™ kan laddas manuellt utan begränsningskabeln.

1. Anslut laddningsstationen till en lämplig strömförsörjning. Den gröna lampan på laddstationen tänds.
2. Docka in Mission™ manuellt i laddningsstationen medan Mission™ är avstängd.
3. Den gröna lampan på laddningsstationen blinkar och Mission™ börjar laddas.



4

Vinterdvala

Din Mission™ kommer att leva längre och hälsosammare om det tillåts viloläge. Så även om det är tufft rekommenderar vi att du förvarar din Mission™ i ditt skjul eller garage under vintern.

Innan du förbereder din Mission™ för vinterdvala rekommenderar vi att du:

- Rengör noga din Mission™
- Ladda batteriet helt
- Stäng av strömmen

För att maximera batteriets livslängd, ladda batteriet helt före förvaring under vintern.

! **WARNING: Skydda undersidan av Mission™ från vatten. Förvara ALDRIG Mission™ upp och ner utomhus.**

Gränskabeln kan lämnas i marken även om dess ändrar bör skyddas, till exempel placeras i en tennburk med fett. Om laddstationen lämnas utanför för vintern, lämna gränskabeln ansluten.

OBS: När du tar tillbaka Mission™ till arbetet efter vinterdvalan, se till att laddningsremarna och kontaktstiften är rena. Vi rekommenderar att du använder en fin kvalitet emeryduk för att rengöra kontaktarna. Använd appen, se till att datum och tid är korrekta och skicka Mission™ tillbaka till vad den älskar att göra: klippning.

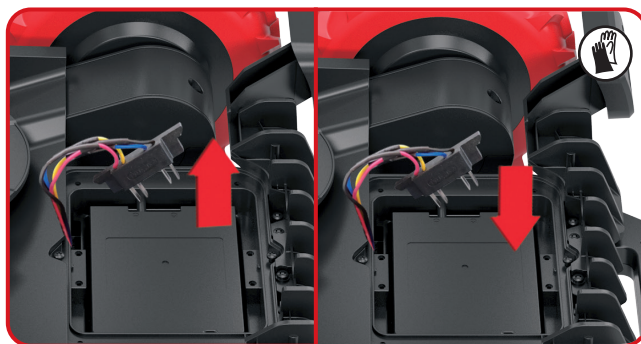
5

Byta ut batteriet

! **WARNING: Stänga av innan du försöker justera, byta ut eller reparera.**
Innan du byter ut bladen stänger du av din Mission™ och tar på dig skyddshandskar.

Om du behöver byta ut batteriet gör du så här:

1. Vänd försiktigt din Mission™ upp och ner.
2. Ta bort skruvarna på batteriluckan. Ta bort batteriluckan.
3. Koppla ur kontakten. Byt ut det gamla batteriet mot det nya. Anslut sedan kontakten.
4. Sätt tillbaka locket i sitt läge och dra åt skruvarna.



Felsökning

Om din Mission™ inte fungerar korrekt följer du felsökningsguiden nedan. Om felet kvarstår, kontakta din återförsäljare.

Symptom	Orsaka	Lösning
Lysdioden lampan på laddningsstationen tänds inte.	Det finns ingen ström.	Kontrollera att laddningsstationen är korrekt ansluten till laddaren och att laddaren är ansluten till en lämplig strömförsörjning.
Röd lampa tänds på laddstationen.	Gränskabeln är inte ansluten.	Kontrollera att begränsningskabeln är korrekt ansluten till laddningsstationen. Kontrollera att det inte finns några brott i gränskabeln, särskilt i trådändarna.
Din Mission™ är inom arbetsområdet men displayen säger "utanför arbetsområdet" och lysdioden är grön.	Begränsningskabeländarna spänns fast felaktigt.	Vänd på begränsningskabeln.
Mission™ kan inte docka korrekt med laddningsstationen.	Miljöpåverkan.	Starta om Mission™.
	Dålig anslutning orsakad av skräp på laddningsremsan.	Rengör kontaktstiften på laddstationen och laddningsremsan på Mission™ med en trasa.
Mission™ går utanför gränskabeln. Mission™ klipper inte ett område inom en gränstrådszon. Mission™ backar eller roterar oberäkneligt nära gränskabeln.	Gränskabeln för ett annat Mission™ eller någon annan märkesrobotgräsklippare är placerad för nära.	Se till att din Mission™ gränstråd har minst 1 m avstånd mellan den närliggande gränskabeln.
	Gränskabeln har installerats med akuta vinklar.	Kontrollera gränskabeln för att säkerställa att vinklarna är släta.
	Under våta förhållanden kan den elektriska gränskabelnsignalen läcka där tråden har anslutits eller reparerats.	Kontrollera gränstrådsfogarna. Isolera för att ge en helt vattentät anslutning.
	Det finns gränskabel elektriskt signalläckage på grund av trasig isolering.	Reparera skadad begränsningskabelisolering med isoleringstejp.
	Skärområdet är större än det tillåtna skärområdet för Mission™.	Minska skärområdet.
Mission™ lämnar gränskabeln på grund av hög hastighet när man går ner för en kulle.	Gränskabeln placeras på en sluttning som är brantare än 17% (10°).	Flytta gränskabeln bort från sluttningar som är brantare än 17% (10°).
Mission™ position visas exakt i appen, eller så kan dess position inte upptäckas.	GPS-signalen påverkas av vädret eller vissa störningar.	1. Kontrollera och se till att Mission™ inte är upp och ner eller på sidan; Mission™ täcks inte av vissa metallföremål. 2. Ta Mission™ till ett öppet område där det kan få en mobil signal.
	Du använder inte den senaste versionen av Mission™ appen.	Uppdatera Mission™-appen till den senaste versionen.

Mission™ ger inget larm när den är utanför Geo-staketet.	Programvaran i Mission™ i sig är inte den senaste.	Uppdatera programvaran för Mission™ innan du använder GeoTrace.
	Det finns ett litet toleransområde omedelbart utanför omkretsuppsättningen för GeoTrace.	Ta mission™ utanför toleransområdet (cirka 30 meter från Geo-staketet) för att verifiera att GeoTrace fungerar.
	GeoTrace är avstängd.	Slå på Mission™ och ladda vid behov den. Om den inte behöver laddas kommer Find My Mission™ GeoTrace att laddas av Mission™ batteri. (GeoTrace har ett innerbatteri som varar en vecka efter att maskinen är avstängd).
	Geo Fence är inte inställt, eller radien för Geo Fence är inte inställd.	Använd appen Mission™ för att ställa in den korrekt.
	Mission™ är avstängt.	I det här fallet kommer larmet att skickas 10 minuter efter Mission™ är utanför Geo-staketet.
Mission™ fungerar fortfarande när den är utanför Geo staketet.	Geo Fence är inte inställt, eller radien för Geo Fence är inte inställd.	Använd appen Mission™ för att ställa in den korrekt.
Mission™ fungerar normalt men kommunikationen mellan Mission™ och smartphone fungerar inte som den ska	GeoTraces mobilnätstäckning är svag.	Kontrollera om den har en svag signal. Om ja flytta till ett område med en bra signal.
	GeoTrace är skadad.	Kontakta en återförsäljare och kontrollera den ordentligt.
	Programvaran i Mission™ är inte den senaste.	Uppdatera programvaran för Mission™.
	Mission™-appen måste uppdateras.	Uppdatera din Mission™-appen innan du använder GeoTrace.
	GeoTraces SIM-kort är inte aktiverat.	Innan du först använder det måste du ha aktiverat SIM-kortet genom att följa proceduren i appen.
	GeoTrace är inte väl ansluten till Mission™	Kontakta återförsäljaren. Kontrollera att GeoTrace-anslutningen är korrekt infogad med ett klick.
	Mission™ har ingen makt.	Kontrollera om skärmen på Mission™ är belyst. Om inte, skicka mission™ tillbaka till laddningsbasen för laddning eller starta nödproceduren för att ladda den.
	Sim-prenumerationsavgiften har gått ut.	När den har gått ut måste den förnyas.

Mission™ kan inte uppnå realtidspositionering eller platsen för Mission™ kan inte uppdateras i realtid.	GeoTrace är utformad för att uppdatera positioneringen var 10:e minut för kraftekonomi. När Mission™ har låg batterikapacitet blir tidsintervallet för positionsuppdateringen längre.	Det här är normalt. Inga åtgärder behövs.
	Om Mission™ har varit avstängd i mer än 24 timmar i Geo-staketet för lagring, stängs GeoTrace av automatiskt utan GPS-signal.	

Observera:

1. Batteriet i GeoTrace måste bytas ut av serviceagenten.
2. Se till att Mission™ regelbundet laddas under lagringen, en gång per halvår rekommenderas.
3. GeoTrace behöver förnyas när SIM-prenumerationsavgiften har gått ut.

Miljöskydd



Elektriska avfallsprodukter får inte bortskaffas med hushållsavfall. Vänligen återvinn där det finns faciliteter. Kontakta din lokala myndighet eller återförsäljare för återvinningsråd.

Försäkran om överensstämmelse

Vi,
Positec Germany GmbH
Postfach 32 02 16, 50796 Cologne, Germany

På Positecs vägnar förklara att produkten

Beskrivning **Robotgräsklippare**

Typ **KR133E KR136E (100-199- maskinbeteckning, representant för Robotgräsklippare)**

(År, artikelnummer och månad med serienummer placeras på baksidan. Det fullständiga serienumret anges tydligt på gräsklipparens hölje) med batteriladdare KA3717/KA3817 och laddstation KA0072/KA0073

Funktion **Klippa gräs**

Uppfyller följande direktiv,

2006/42/EC, 2014/30/EU, 2014/35/EU, 2011/65/EU&(EU)2015/863, 2000/14/EC ändrad av 2005/88/EC, 2014/53/EU

2000/14/EG ändrad senast 2005/88/EG

- Förfarande för bedömning av överensstämmelse enligt
- Uppmätt ljudeffektnivå
- Deklarerad garanterad ljudeffektnivå

KR133E
Anneks V
57.72 dB (A)
59 dB (A)

KR136E
Anneks V
57.5 dB (A)
59.3 dB (A)

Det anmälda organet, Intertek, Semko AB, NB-No. 0413 har genomfört en EU-typkontroll enligt direktiv 2014/53/EU och utfärdat följande EU-typkontrollintyg: SE-RED-2200106

GeoTrace:

Det anmälda organet

Namn: TIMCO ENGINEERING, Inc (anmält organ CE1177)

Adress: 849 NW State Road 45, Newberry, Florida 32669, USA

160

Sv

Standarder överensstämmer med,

För gräsklippare: EN 50636-2-107:2015+A1:2018+A2:2020+A3:2021, EN 60335-1:2012+A11:2014+A13:2017+A1:2019+A2:2019+A14:2019+A15:2021, EN IEC 62311:2020, EN IEC 55014-1:2021, EN IEC 55014-2:2021, EN IEC 61000-3-2:2019+A1:2021, EN 61000-3-3:2013+A1:2019+A2:2021

För induktionssystem: EN 303 447 V1.1.1

För ultraljudsmodul: EN 55011:2016+A11:2020

För Bluetooth & WIFI-modul (2,4G): EN 301 489-1 V2.2.3, EN 301 489-17 V3.2.4, EN 300 328 V2.2.2

För 4G+GPS modul: EN 301 489-1 V2.2.3, EN 301 489-19 V2.1.1, EN 301 489-52 V1.2.1, EN 301 511 V12.5.1, EN 301 908-1 V13.1.1, EN 301 908-13 V13.1.1, EN 303 413 V1.1.1

För laddare: EN IEC 55014-1:2021, EN IEC 55014-2:2021, EN IEC 61000-3-2:2019+A1:2021, EN 61000-3-3:2013+A1:2019+A2:2021, EN IEC 60335-2-29:2021+A1:2021, EN 60335-1:2012+A11:2014+A13:2017+A1:2019+A2:2019+A14:2019+A15:2021, EN 62233:2008

För buller: EN ISO 3744:2005

För RoHS: EN IEC 63000:2018

Den person som har behörighet att sammanställa den tekniska dokumentationen.

Namn Marcel Filz

Adress Positec Germany GmbH Postfach 32 02 16, 50796 Cologne, Germany



2023/09/19

Allen Ding

Biträdande chefsingenjör, testning och certifiering

Positec Technology (China) Co., Ltd.

18, Dongwang Road, Suzhou Industrial

Park, Jiangsu 215123, P. R. China



MISION™

www.kress-robotik.com