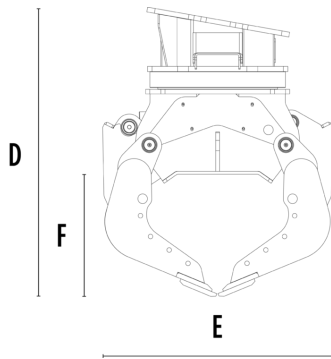
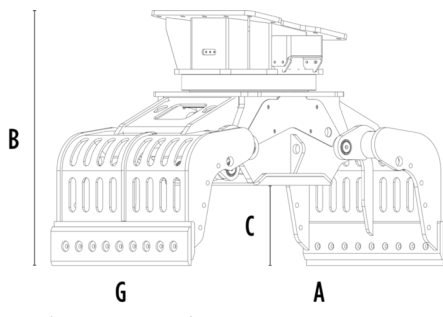


SORTING GRAPPLE

MB-G1000 S4



SPECIFICATIONS

Recommended excavator	lb	39,680 - 55,120
Weight	lb	3,257
Capacity (claws closed)	cy	0.58
Rotation	Degree	360°
Oil pressure (rotation)	PSI	2,901 - 3,626
Oil flow rate (rotation)	gal/min	16 - 21
Maximum oil pressure (opening - closing)	PSI	4,351 - 5,076
Maximum oil flow rate (opening - closing)	gal/min	18 - 24
Size A	in	73
Size B	in	54
Size C	in	20
Size D	in	59
Size E	in	47
Size F	in	25
Size G	in	40

OPTIONAL ACCESSORIES

Remote power control system

APPLICATION AREAS



Demolitions



Road works



Quarry



Mines



Tunnels



Enclosed spaces



Pipelines



Urban construction site



Maintaining landscape and agricultural areas



Forest Maintenance

