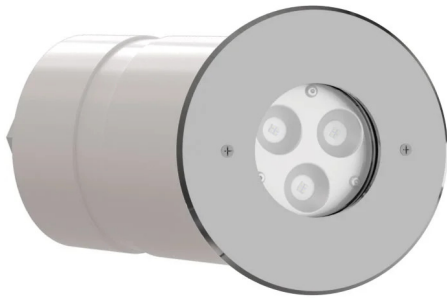


**MINI PERLA IN**  
LAMP WITH STAINLESS STEEL FLANGE,  
NICHE, DIFFUSER and 4m CABLE

Cod.2111827394

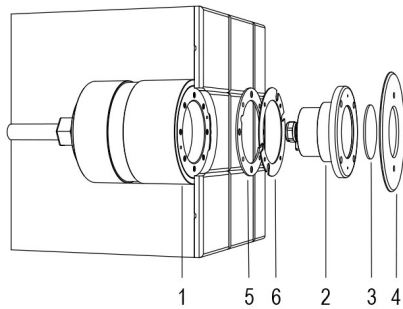
MINI PERLA RGBW IN 120° WITH WATERTIGHT NICHE



LED pool lamp with RGBW variable colour, ideal for small and medium pools. PLC controlled. The niche included contains space to collect the cable for maintenance. For recess installation in reinforced concrete.

**Technical data**

|                             |                               |
|-----------------------------|-------------------------------|
| Power supply                | 12 V AC                       |
| Current                     | 1.8 A                         |
| Maximum power consumption   | 19 W                          |
| Apparent maximum power      | 25 VA                         |
| Insulation class            | III                           |
| Connection                  | 4 m BLUE PBS-POOL CABLE 2X2.5 |
| Maximum cable length        | 38 m                          |
| Coverage area m2            | 15 - 20                       |
| Beam angle                  | 120°                          |
| Number of LEDs              | 12                            |
| LED color                   | RGBW                          |
| Total luminous flux         | 1130 lm                       |
| Body                        | AISI316L STEEL, GLASS         |
| Weight                      | 1.2 kg                        |
| Protection rating           | IP68                          |
| Working conditions          | EXCLUSIVELY IN THE WATER      |
| Maximum ambient temperature | MAX +40 °C                    |
| Control signal              | POWER LINE COMUNICATION       |



1. NICHE
2. LAMP
3. OPTICAL DIFFUSER
4. FRONT FLANGE
5. STAINLESS STEEL SPACER
6. PLEXY SPACER

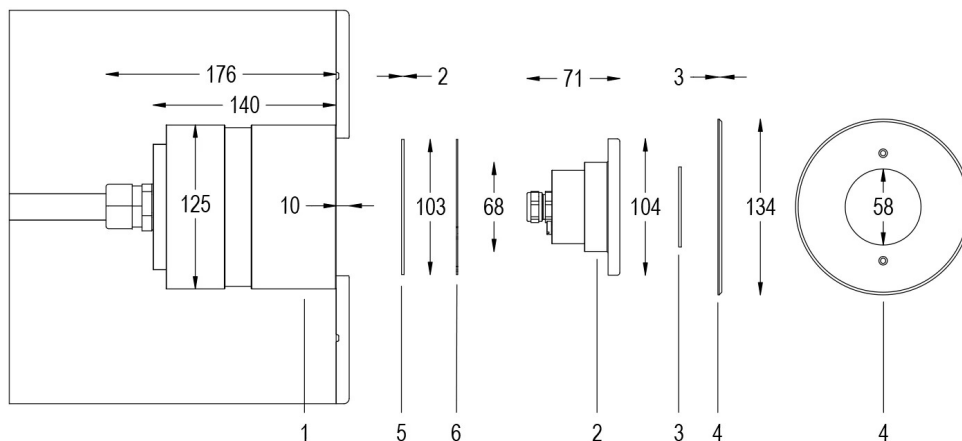
**Related documentation:**

Manuale utente IT:  
man\_2111827394\_it.pdf

Certificato CE IT:  
ce\_2111827394\_it.pdf

User manual EN:  
man\_2111827394\_en.pdf

CE certification EN:  
ce\_2111827394\_en.pdf



14/10/2024 - The data in this document may be changed without notice in order to improve the product or to correct any errors.