

Kress

Commercial



SAFETY AND OPERATING MANUAL

60V 47cm Reinforced Steel Deck SP Mower

KC720 KC720.X

TABLE OF CONTENTS

Introduction.....	3
Component List.....	5
Product Safety.....	6
Assembly & Operation.....	9
Transportation.....	13
Maintenance.....	14
Cleaning.....	15
Storage.....	16
Troubleshooting.....	16
Technical Data.....	17

INTRODUCTION

Dear Customer,

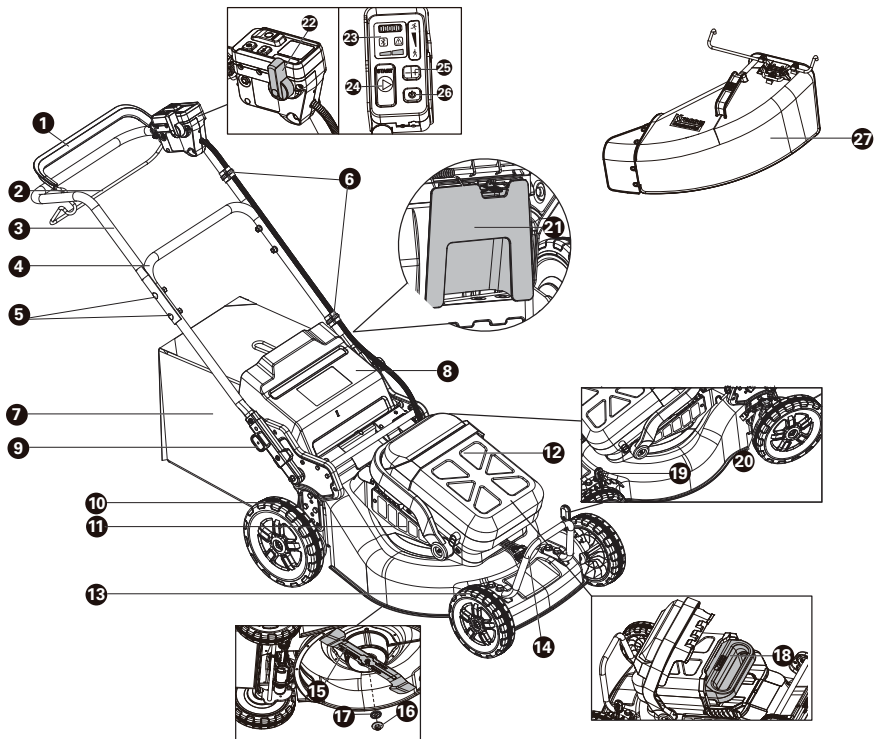
Thank you for buying this Kress Commercial product. We are dedicated to developing high quality products to meet your commercial landscaping requirements.

The Kress brand is synonymous with premium quality service. Over the years of your product's life, if you have any questions or concerns about your product, please contact your dealer or our Customer Service Team for assistance.

We are confident you will enjoy working with your Kress product for years to come.

INTENDED USE

This product is intended for commercial lawn mowing.



COMPONENT LIST

1. OPERATING BAIL (BLADE ENGAGEMENT)

2. SELF-PROPEL ENGAGEMENT BAIL

3. UPPER HANDLE

4. LOWER HANDLE

5. HANDLE FASTENERS

6. CABLE CLIP

7. GRASS COLLECTION BAG

8. SAFETY FLAP

9. HANDLE HEIGHT ADJUSTMENT KNOB

10. REAR WHEEL

11. AIR FILTER

12. BATTERY COMPARTMENT COVER

13. FRONT WHEEL

14. MOTOR GUARD

15. BLADES

16. BLADE BOLT

17. SPACER

18. BATTERY PACK*

19. FRONT CUTTING HEIGHT ADJUSTMENT LEVER

20. REAR CUTTING HEIGHT ADJUSTMENT LEVER

21. MULCHING PLUG

22. SELF-PROPEL SPEED CONTROL

23. LED INDICATORS

24. CUTTING BLADE START BUTTON

25. CUTTING SPEED CONTROL

26. ON/OFF SWITCH

27. SIDE DISCHARGE CHUTE*

* Not all the accessories illustrated or described are included in standard delivery.

PRODUCT SAFETY

GENERAL POWER TOOL

SAFETY WARNINGS



WARNING Read all safety warnings, instructions, illustrations and specifications provided with this power tool. Failure to follow all instructions listed below may result in electric shock, fire and/or serious injury.

Save all warnings and instructions for future reference.

The term "power tool" in the warnings refers to your mains-operated (corded) power tool or battery-operated (cordless) power tool.

1) Work area safety

- a) **Keep work area clean and well lit.** Cluttered or dark areas invite accidents.
- b) **Do not operate power tools in explosive atmospheres, such as in the presence of flammable liquids, gases or dust.** Power tools create sparks which may ignite the dust or fumes.
- c) **Keep children and bystanders away while operating a power tool.** Distractions can cause you to lose control.

2) Electrical safety

- a) **Power tool plugs must match the outlet. Never modify the plug in any way. Do not use any adapter plugs with earthed (grounded) power tools.** Unmodified plugs and matching outlets will reduce risk of electric shock.
- b) **Avoid body contact with earthed or grounded surfaces, such as pipes, radiators, ranges and refrigerators.** There is an increased risk of electric shock if your body is earthed or grounded.
- c) **Do not operate the machine in rain or wet conditions.** This may increase the risk of electric shock.
- d) **Do not abuse the cord. Never use the cord for carrying, pulling or unplugging the power tool. Keep cord away from heat, oil, sharp edges or moving parts.** Damaged or entangled cords increase the risk of electric shock.
- e) **When operating a power tool outdoors, use an extension cord suitable for outdoor use.** Use of a cord suitable for outdoor use reduces the risk of electric shock.
- f) **If operating a power tool in a damp location is unavoidable, use a residual current device (RCD) protected supply.** Use of an RCD reduces the risk of electric shock.

3) Personal safety

- a) **Stay alert, watch what you are doing and use common sense when operating a power tool. Do not use a power tool while you are tired or under the influence of drugs, alcohol or medication.** A moment of inattention while operating power tools may result in serious

personal injury.

- b) **Use personal protective equipment. Always wear eye protection.** Protective equipment such as dust mask, non-skid safety shoes, hard hat, or hearing protection used for appropriate conditions will reduce personal injuries.
 - c) **Prevent unintentional starting. Ensure the switch is in the off-position before connecting to power source and/or battery pack, picking up or carrying the tool.** Carrying power tools with your finger on the switch or energising power tools that have the switch on invites accidents.
 - d) **Remove any adjusting key or wrench before turning the power tool on.** A wrench or a key left attached to a rotating part of the power tool may result in personal injury.
 - e) **Do not overreach. Keep proper footing and balance at all times.** This enables better control of the power tool in unexpected situations.
 - f) **Dress properly. Do not wear loose clothing or jewellery. Keep your hair and clothing away from moving parts.** Loose clothes, jewellery or long hair can be caught in moving parts.
 - g) **If devices are provided for the connection of dust extraction and collection facilities, ensure these are connected and properly used.** Use of dust collection can reduce dust-related hazards.
 - h) **Do not let familiarity gained from frequent use of tools allow you to become complacent and ignore tool safety principles.** A careless action can cause severe injury within a fraction of a second.
- #### 4) Power tool use and care
- a) **Do not force the power tool. Use the correct power tool for your application.** The correct power tool will do the job better and safer at the rate for which it was designed.
 - b) **Do not use the power tool if the switch does not turn it on and off.** Any power tool that cannot be controlled with the switch is dangerous and must be repaired.
 - c) **Disconnect the plug from the power source and/or remove the battery pack, if detachable, from the power tool before making any adjustments, changing accessories, or storing power tools.** Such preventive safety measures reduce the risk of starting the power tool accidentally.
 - d) **Store idle power tools out of the reach of children and do not allow persons unfamiliar with the power tool or these instructions to operate the power tool.** Power tools are dangerous in the hands of untrained users.
 - e) **Maintain power tools and accessories. Check for misalignment or binding of moving parts, breakage of parts and any other condition that may affect the power tool's operation.** If damaged, have the power tool repaired before use. Many accidents are caused by poorly maintained power tools.
 - f) **Keep cutting tools sharp and clean.** Properly maintained cutting tools with sharp cutting edges are less likely to bind and are easier to control.

- g) Use the power tool, accessories and tool bits etc. in accordance with these instructions, taking into account the working conditions and the work to be performed. *Use of the power tool for operations different from those intended could result in a hazardous situation.*
 - h) **Keep handles and grasping surfaces dry, clean and free from oil and grease.** *Slippery handles and grasping surfaces do not allow for safe handling and control of the tool in unexpected situations.*
- 5) **Battery tool use and care**
- a) **Recharge only with the charger specified by the manufacturer.** *A charger that is suitable for one type of battery pack may create a risk of fire when used with another battery pack.*
 - b) **Use power tools only with specifically designated battery packs.** *Use of any other battery packs may create a risk of injury and fire.*
 - c) **When battery pack is not in use, keep it away from other metal objects, like paper clips, coins, keys, nails, screws or other small metal objects, that can make a connection from one terminal to another.** *Shorting the battery terminals together may cause burns or a fire.*
 - d) **Under abusive conditions, liquid may be ejected from the battery; avoid contact. If contact accidentally occurs, flush with water. If liquid contacts eyes, additionally seek medical help.** *Liquid ejected from the battery may cause irritation or burns.*
 - e) **Do not use a battery pack or tool that is damaged or modified.** *Damaged or modified batteries may exhibit unpredictable behaviour resulting in fire, explosion or risk of injury.*
 - f) **Do not expose a battery pack or tool to fire or excessive temperature.** *Exposure to fire or temperature above 130 °C may cause explosion.*
 - g) **Follow all charging instructions and do not charge the battery pack or tool outside the temperature range specified in the instructions.** *Charging improperly or at temperatures outside the specified range may damage the battery and increase the risk of fire.*
- 6) **Service**
- a) **Have your power tool serviced by a qualified repair person using only identical replacement parts.** *This will ensure that the safety of the power tool is maintained.*
 - b) **Never service damaged battery packs.** *Service of battery packs should only be performed by the manufacturer or authorized service providers.*
- b) **Thoroughly inspect the area for wildlife where the lawnmower is to be used.** *Wildlife may be injured by the lawnmower during operation.*
 - c) **Thoroughly inspect the area where the lawnmower is to be used and remove all stones, sticks, wires, bones, and other foreign objects.** *Thrown objects can cause personal injury.*
 - d) **Before using the lawnmower, always visually inspect to see that the blade and the blade assembly are not worn or damaged.** *Worn or damaged parts increase the risk of injury.*
 - e) **Check the grass catcher frequently for wear or deterioration.** *A worn or damaged grass catcher may increase the risk of personal injury.*
 - f) **Keep guards in place. Guards must be in working order and be properly mounted.** *A guard that is loose, damaged, or is not functioning correctly may result in personal injury.*
 - g) **Keep all cooling air inlets clear of debris.** *Blocked air inlets and debris may result in overheating or risk of fire.*
 - h) **While operating the lawnmower, always wear non-slip and protective footwear. Do not operate the lawnmower when barefoot or wearing open sandals.** *This reduces the chance of injury to the feet from contact with the moving blade.*
 - i) **While operating the lawnmower, always wear long trousers.** *Exposed skin increases the likelihood of injury from thrown objects.*
 - j) **Do not operate the lawnmower in wet grass. Walk, never run.** *This reduces the risk of slipping and falling which may result in personal injury.*
 - k) **Do not operate the lawnmower on excessively steep slopes.** *This reduces the risk of loss of control, slipping and falling which may result in personal injury.*
 - l) **When working on slopes, always be sure of your footing, always work across the face of slopes, never up or down and exercise extreme caution when changing direction.** *This reduces the risk of loss of control, slipping and falling which may result in personal injury.*
 - m) **Use extreme caution when reversing or pulling the lawnmower towards you. Always be aware of your surroundings.** *This reduces the risk of tripping during operation.*
 - n) **Do not touch blades and other hazardous moving parts while they are still in motion.** *This reduces the risk of injury from moving parts.*
 - o) **When clearing jammed material or cleaning the lawnmower, make sure all power switches are off and the battery pack is disconnected.** *Unexpected operation of the lawnmower may result in serious personal injury.*

LAWNMOWER SAFETY WARNINGS

- a) **Do not use the lawnmower in bad weather conditions, especially when there is a risk of lightning.** *This decreases the risk of being struck by lightning.*

SAFETY WARNINGS FOR BATTERY PACK

- a) **Do not dismantle, open or shred cells or battery pack.**
- b) **Do not short-circuit a battery pack. Do not**

store battery packs haphazardly in a box or drawer where they may short-circuit each other or be short-circuited by conductive materials. When battery pack is not in use, keep it away from other metal objects, like paper clips, coins, keys, nails, screws or other small metal objects, that can make a connection from one terminal to another. Shorting the battery terminals together may cause burns or a fire.

- c) Do not expose battery pack to heat or fire. Avoid storage in direct sunlight.
- d) Do not subject battery pack to mechanical shock.
- e) In the event of battery leaking, do not allow the liquid to come into contact with the skin or eyes. If contact has been made, wash the affected area with copious amounts of water and seek medical advice.
- f) Keep battery pack clean and dry.
- g) Wipe the battery pack terminals with a clean dry cloth if they become dirty.
- h) Battery pack needs to be charged before use. Always refer to this instruction and use the correct charging procedure.
- i) Do not maintain battery pack on charge when not in use.
- j) After extended periods of storage, it may be necessary to charge and discharge the battery pack several times to obtain maximum performance.
- k) Recharge only with the charger specified by Kress. Do not use any charger other than that specifically provided for use with the equipment.
- l) Do not use any battery pack which is not designed for use with the equipment.
- m) Keep battery pack out of the reach of children.
- n) Retain the original product literature for future reference.
- o) Remove the battery from the equipment when not in use.
- p) Dispose of properly.
- q) Do not mix cells of different manufacture, capacity, size or type within a device.
- r) Keep the battery away from microwaves and high pressure.
- s) Warning! Do not use non-rechargeable batteries.











- undesired operation.
- b) Caution: Changes or modifications to this unit not expressly approved by the party responsible for compliance could void the user's authority to operate the equipment.
- c) NOTE: This equipment generates, uses and can radiate radio frequency energy and, if not installed and used in accordance with the instructions, may cause harmful interference to radio communications. However, there is no guarantee that interference will not occur in a particular installation. If this equipment does cause harmful interference to radio or television reception, which can be determined by turning the equipment off and on, the user is encouraged to try to correct the interference by one or more of the following measures:
 - Reorient or relocate the receiving antenna.
 - Increase the separation between the equipment and receiver.
 - Connect the equipment into an outlet on a circuit different from that to which the receiver is connected.
 - Consult the dealer or an experienced radio/TV technician for help.

SYMBOLS

	To reduce the risk of injury, user must read instruction manual
	Warning
	WARNING – Beware of thrown objects – keep bystanders away
	WARNING – Keep hands and feet away from the blades
	WARNING – Disconnect battery before maintenance
	Blade continues to rotate after the machine is switched off. Wait until all machine components have completely stopped before touching them
	Wear protective gloves

USER MANUAL REQUIREMENTS FOR WIRELESS PRODUCT

- a) Operation of this device is subject to the following two conditions:
 - (1) This device may not cause harmful interference, and
 - (2) this device must accept any interference received, including interference that may cause

	Remove battery from the socket before carrying out any adjustment, servicing or maintenance
	Batteries may enter water cycle if disposed improperly, which can be hazardous for ecosystem. Do not dispose of waste batteries as unsorted municipal waste.
	Do not burn
	High speed
	Low speed
 Li-Ion	Li-Ion battery This product has been marked with a symbol relating to 'separate collection' for all battery packs and battery pack. It will then be recycled or dismantled in order to reduce the impact on the environment. Battery packs can be hazardous for the environment and for human health since they contain hazardous substances.
	Plus; positive polarity
	Minus; negative polarity
 KAC840	use with model KAC840 battery charger, See instruction manual for additional battery chargers.
	RCM marking
	ABN: Australian Business Number. By this number, business information such as entity type, status, business location etc. can be found at website http://abr.business.gov.au . ABN of Positec Australia Pty Limited is 14 101 682 357

ASSEMBLY & OPERATION



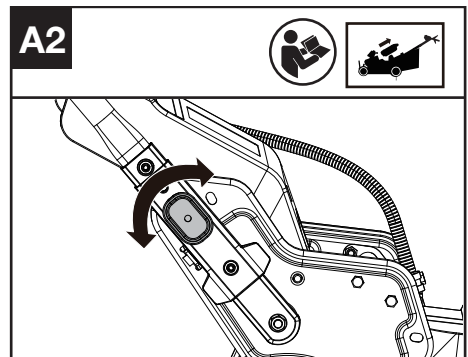
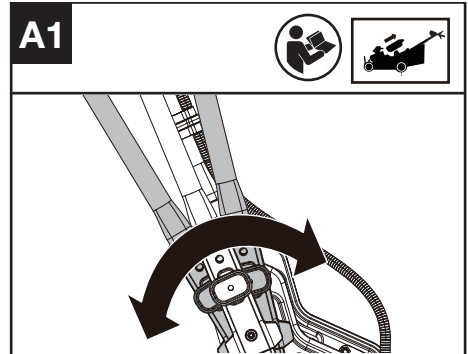
NOTE: Before using the tool, read the instruction book carefully.



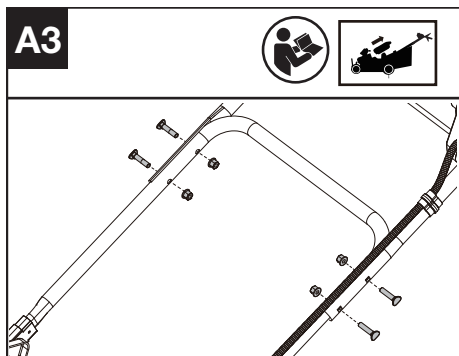
BEFORE OPERATION

Adjusting handle's height and assembling the lower handles. (See Fig. A1,A2)

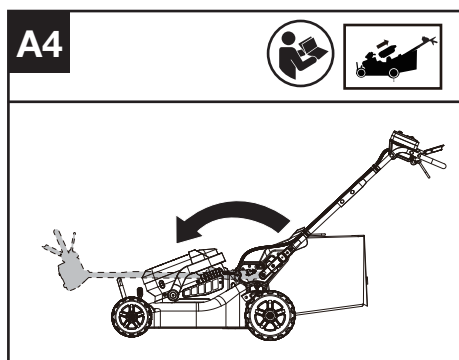
3 height levels can be selected. Select the appropriate height and rotate the handle height adjustment knob.



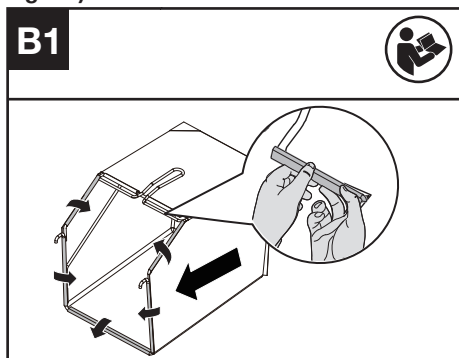
Assembling the upper handle. (See Fig. A3)



NOTE: The handles can be fold up for transportation or off-season storage. (See Fig. A4)



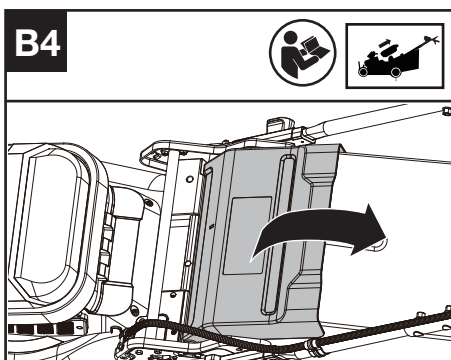
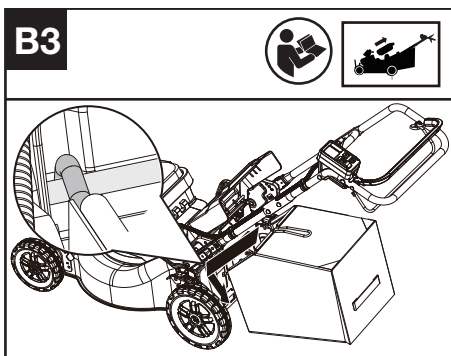
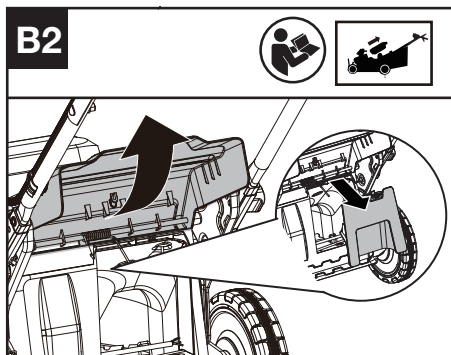
Assembling the grass collection bag (See Fig. B1)



Assembling the grass collection bag to the lawn mower (See Fig. B2,B3,B4)

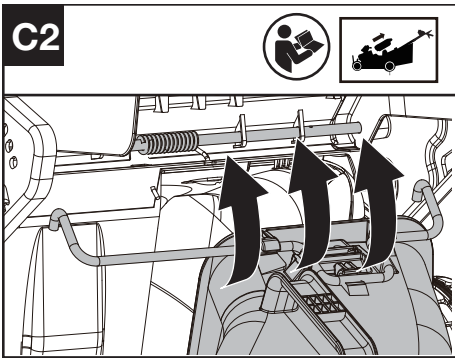
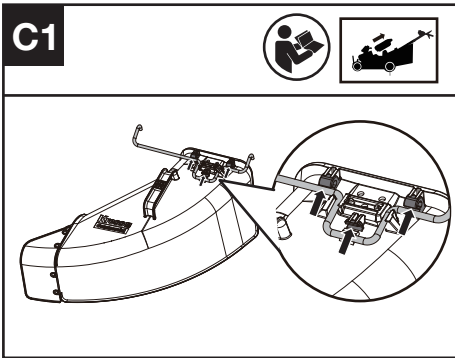
NOTE: Depress the grass collection bag slightly to ensure that it is completely installed.

NOTE: Take the mulching plug out of the lawn mower before fitting the grass collection bag.



Assembling the side discharge chute to the lawn mower (See Fig. C1,C2)

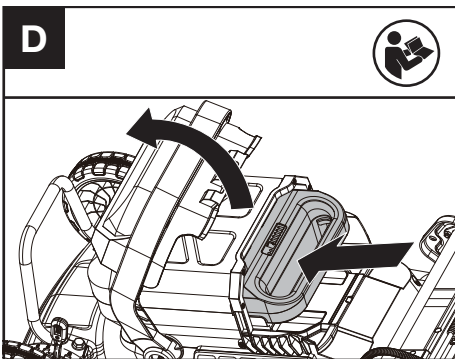
NOTE: Take the mulching plug out of the lawn mower and remove the grass collection bag before assembling the side discharge chute.



Checking the battery charge condition and charging the battery pack.

NOTE: The batteries are shipped uncharged. The battery must be fully charged before the first mow. More details can be found in the manual of battery and charger.

Fitting/removing the battery (See Fig. D)



Checking the controls

1. Remove the battery.
2. Try to press the on/off switch, cutting blade start button, or cutting speed control. If the on/

off switch, cutting blade start button, or cutting speed control gets stuck and cannot spring back to its original position, stop using the mower and contact the service agent.

3. Try to pull and release the operating bail or self-propel engagement bail. If the operating bail or self-propel engagement bail gets stuck and cannot spring back to its original position, stop using the mower and contact the service agent.
4. Rotate the self-propel speed control. If the self-propel speed control gets stuck, stop using the mower and contact the service agent.

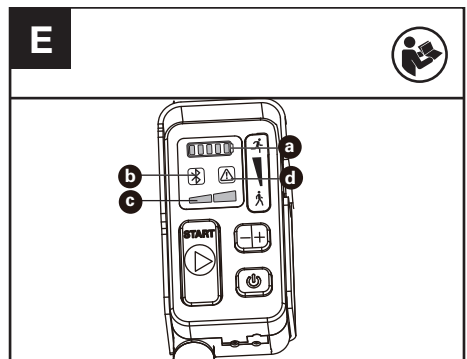
Checking the display (See Fig. E)

1. Fit the battery.
2. Keep pressing the on/off switch and the battery indicator (a) and cutting speed indicator (c) become lit.
3. Press the cutting blade start button and pull the operating bail to start the machine.
4. If the warning indicator (d) is flashing, refer to **Troubleshooting** for solutions.
5. Release the operating bail. The blade stops rotating after a short delay. If the mower cannot stop, remove the battery and contact the service agent.

LED indicators

- | | |
|----|-------------------------|
| a. | BATTERY INDICATOR |
| b. | BLUETOOTH INDICATOR |
| c. | CUTTING SPEED INDICATOR |
| d. | WARNING INDICATOR |

NOTE: The warning indicator will flash red or yellow when the machine malfunctions. If the red light flashes, please seek assistance from the dealer. If the yellow light flashes, switch off the machine, remove the battery pack, then re-fit the battery pack and switch on the machine. If the yellow light continues to flash, please seek assistance from the dealer.

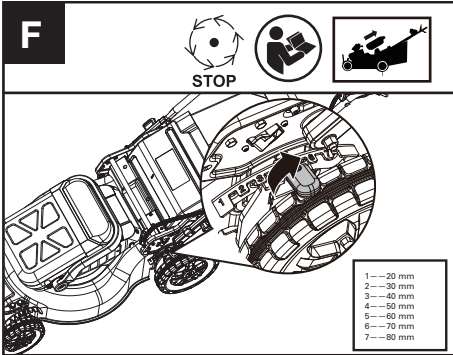


Adjusting the cutting height (See Fig. F)

Adjust the cutting height through cutting height adjustment levers of front and rear wheel.

NOTE: Ensure that the front and rear wheels are kept

in the same position when adjusting the height.



WARNING! Stop, release operating bail and wait until the motor stops before adjusting height. The blades continue to rotate after the machine is switched off, a rotating blade can cause injury. Do not touch rotating blades.

OPERATION

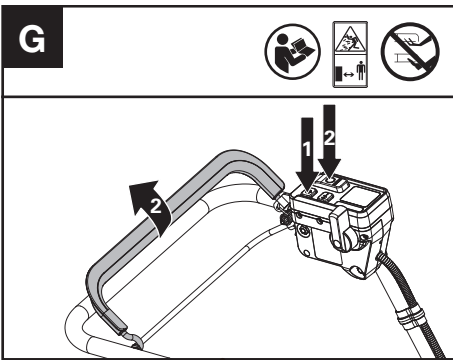
Starting & Stopping the mower (See Fig. G)

1. Press the on/off switch
2. Press the cutting blade start button (Hold Down) and pull the operating bail to start the machine.
3. Release the operating bail to stop.

WARNING! The blade continues to rotate after the mower has been switched off; wait until it has completely stopped.

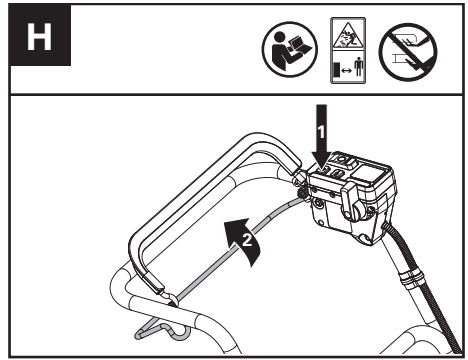
NOTE: For starting, press the cutting blade start button and pull the operating bail at the same time.

NOTE: Keep pressing the on/off switch and the display become lit. The display will automatically turn off if there is no any operation within 60 seconds.

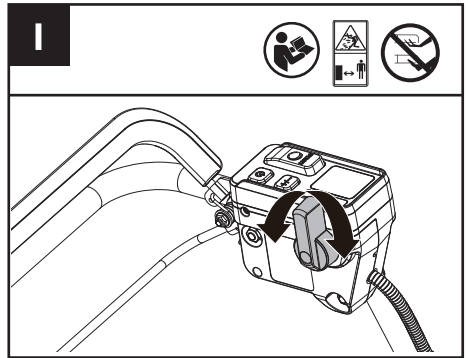


Operating the self-propel system (See Fig. H)

1. Press the on/off switch
2. Pull the self-propel engagement bail to start the self-propel system.
3. Release the self-propel engagement bail to stop.

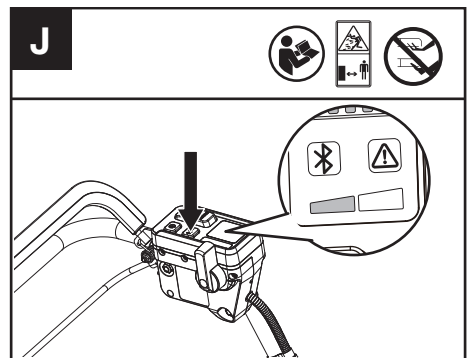


Selecting self-propel speed (See Fig. I)



Selecting cutting speed (See Fig. J)

2 cutting speed levels can be selected depending on the application. Use the +/- to control the speed, which is as indicated by the LED indicators. The higher the cutting speed level, the faster the tool runs.



MULCHING MOWING TIPS

While mulching, your new mower is designed to cut the grass clippings into small pieces and distribute them back into the lawn. Under normal conditions, the mulched grass will biodegrade quickly and

deliver nutrients to the lawn. Please review the following recommendations for optimum mulching performance.

- 1) Avoid mowing when the grass is wet from rain or dew. Wet grass may form clumps which interfere with the mulching action and reduce the runtime.
- 2) For the best mulching performance, set the cutting height to remove about one third of the grass blade length, ideally no more than 40 mm at one time. If the lawn is overgrown, it may be necessary to increase the cutting height to reduce the pushing effort and prevent overloading the motor. For extremely heavy mulching, it is advisable to first cut at a high cut height setting, and then re-cut to the final cut height. Otherwise, make narrower cuts and mow slowly.
- 3) For the best performance, keep the mower housing free of built-up grass. From time to time turn off mower and wait for the blades to come to a complete stop. Remove the batteries and turn mower on its side. Using an object such as a stick, wipe out any accumulation of grass around the blade area. Be careful of the sharp edges of the blade. Ensure to clean the blade area often when cutting wet or new grass and every time after the machine is used.
- 4) Certain types of grass or grass conditions may require that an area be mulched a second time to fully disperse the grass throughout the lawn. If cutting a second time, it is advisable to cut perpendicular (across) the first cut pattern. **DO NOT CHANGE CUT PATTERN IN ANY WAY THAT WOULD CAUSE MOWING DOWN A HILL.**
- 5) Change your cutting pattern from week to week. This will help prevent matting and graining of the lawn.
- 6) Do not mow on a slope that has an angle of greater than 18°.

CUTTING AREA

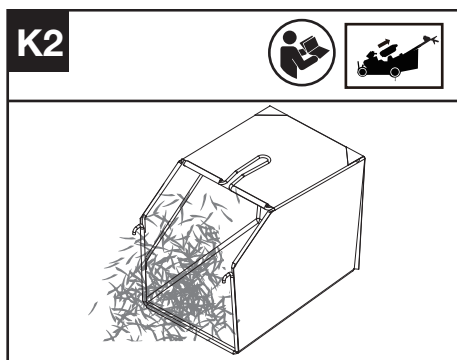
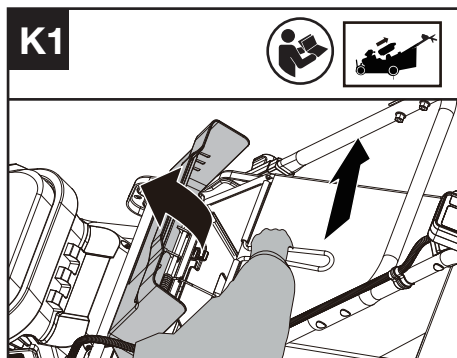
The cutting area can be affected by several factors, such as cutting height, lawn humidity, grass length and density. Besides, starting and stopping the mower too many times during operation will reduce the cutting area.

TIPS:

- 1) It is recommended to mow your lawn more frequently, walk at normal pace, and not to start/stop the mower too often during operation.
- 2) For best performance, please ensure battery pack is fully charged and always cut off 1/3 or less of the grass height. It is suggested to install a new blade before the cutting season begins.
- 3) Walk slowly when cutting long grass, so as to have more effective cutting and properly discharge the clippings.
- 4) Avoid cutting wet grass, otherwise it will stick to the underside of the deck and the clippings cannot be collected or discharged properly.
- 5) A higher cutting height shall be applied to new or thick grass and it will extend the battery duration.

Removing/emptying grass collection bag (See Fig. K1, K2)

WARNING! Always check the safety flap has closed the discharge outlet before using. Never lift the safety flap or remove the mulching plug when the lawn mower is being used without fitted grass collection bag.



FOR BATTERY TOOLS

The recommended ambient temperature range for discharging is -20 °C~45 °C (-4 °F~113 °F).

The recommended ambient temperature range for the charging system during charging is -5 °C~45 °C (23 °F~113 °F).

Details regarding safe disposal of used batteries:

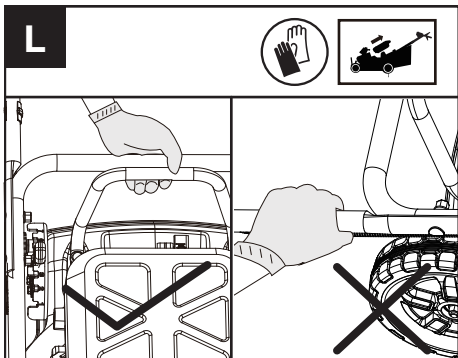
At the end of the life of the appliance, remove the battery pack safely before disposing of the appliance. Do not throw batteries away or throw them in the normal trash can. Also do not dispose of the battery with the machine. Remove the used battery pack from the appliance and dispose of it at the nearest or convenient dedicated recycling facility. If in doubt, consult your local environmental protection department. Batteries may enter water cycle if disposed improperly, which can be hazardous for ecosystem. Do not dispose of waste batteries as unsorted municipal waste.

TRANSPORTATION

Transporting the mower

1. Switch off the mower and remove the battery.
2. When transporting your mower, the self drive can be used without engaging the cutting blade.
3. For lifting the mower, it is recommended that two people lift from each side of the mower using the motor guard and lower handle connection areas as handles.

When lifting the machine in the folded state, grasp the motor guard, not the handles. (See Fig. L)



Transporting the battery

1. Ensure the battery is in a safe condition.
2. Use non-conductive packaging when transporting the battery.
3. The contained Li-Ion batteries are subject to the dangerous goods legislation requirements. Transport batteries only when the battery housing is undamaged. Pack up the batteries in such a manner that cannot move around in the packaging.

MAINTENANCE



WARNING! Stop the mower and remove the battery before removing the grass collection bag.

NOTE: To ensure long and reliable service, perform the following maintenance procedures regularly. Check for obvious defects such as a loose, dislodged or a damaged blade, loose fittings, and worn or damaged components. Check that the covers and guards are all undamaged and are correctly attached to mower. Carry out any necessary maintenance or repairs before operating mower. If the mower should happen to fail despite regular maintenance, please call our customer helpline for advice.

BLADE SHARPENING

KEEP BLADE SHARP FOR BEST MOWER PERFORMANCE. A DULL BLADE DOES NOT CUT GRASS CLEANLY OR MULCH PROPERLY. WEAR EYE PROTECTION AND ANTI-CUT

GLOVES WHILE REMOVING, SHARPENING, AND INSTALLING BLADE.

NOTE: Sharpening or replacing the blade after every 50 hours. Sand causes the blade to dull quickly. If your lawn has sandy soil, more frequent sharpening or replacing may be required.

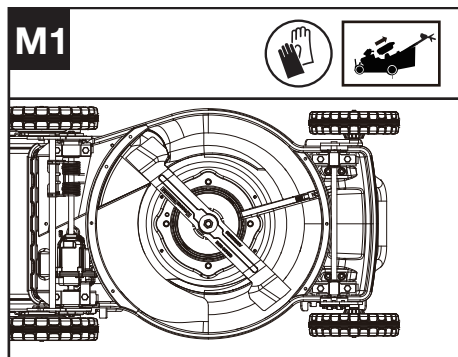
REPLACE BENT OR DAMAGED BLADE IMMEDIATELY.

WHEN SHARPENING THE BLADE

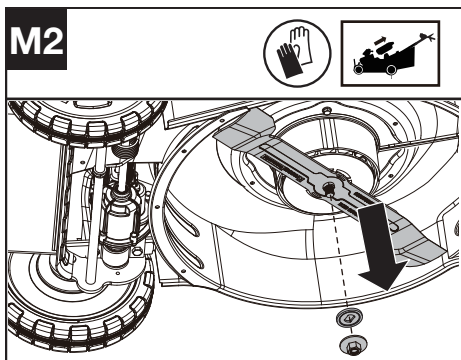
1. Use a block of wood placed to prevent the blade from turning.
2. Using the socket and wrench, remove the blade bolt and then the blade. (See the blade removing section)
3. Clamp the blade in a vice, or similar, to prevent it from moving during sharpening.
4. Sharpen the cutting edges on both ends of the blade. Ensure that the same amount of material is removed from both ends to keep the blade balanced.
5. Check the blade balance. (See the blade balancing section)
6. Replace the blade in the reverse order of the disassembly.
7. Make sure to tighten the blade bolt to the required torque (25 Nm).

NOTE:

1. Be sure the mower is turned off and remove the battery.
2. Tip the mower onto its side as shown in figure M1

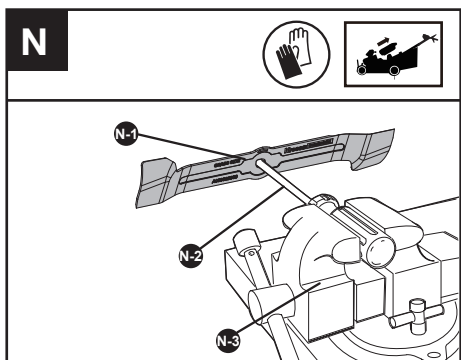


BLADE REMOVING (SEE FIG. M2)



BLADE BALANCING (SEE FIG. N)

Check balance of blade by placing center hole in blade N-1 over a screwdriver shank N-2, clamped horizontally in a vise N-3. If either end of the blade rotates downward, file that end. Blade is properly balanced when neither end drops.



BLADE REPLACING

-Suggest to replace different mower blades according to different working conditions for better using experience.

BLADE	FUNCTION
High-lift blade	Recommended for bagging
Gator blade	Recommended for mulching

CLEANING

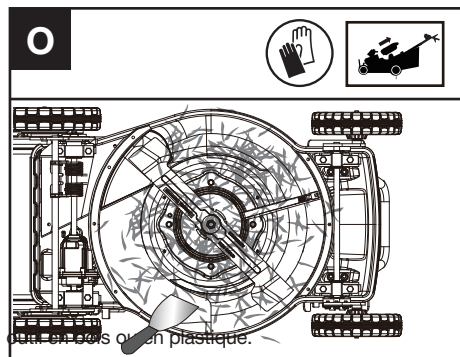
1. Stop the mower and remove the battery.
2. Do not use aggressive detergents or solvents. Clean the machine after use with a damp cloth dipped in mild detergent.
3. Keep battery connection free of dirt and debris, and clean with a soft and dry brush or cloth.

4. Do not spray water onto the motor and electrical components.
5. Do not use pressure washer to clean your machine.

Cleaning the deck and the blade area. (See Fig. O)

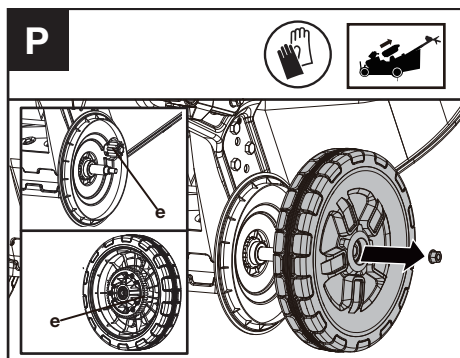
Cleaning grass clippings and debris off of the deck and the blade area.

If grass cuttings are compacted in the blade area, remove with a wooden or plastic implement.



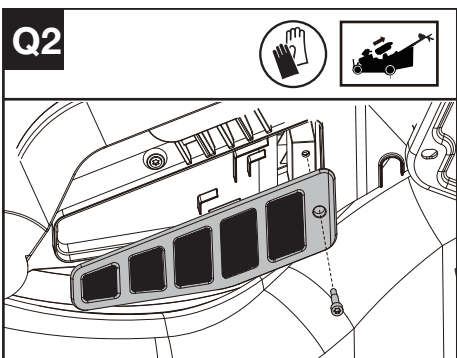
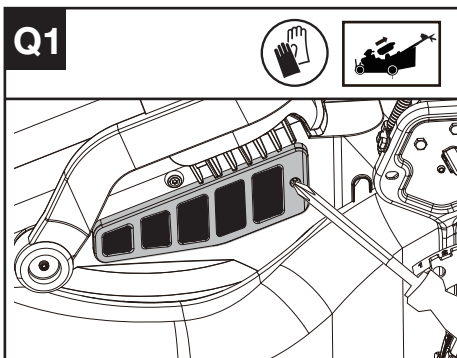
Cleaning the wheels. (See Fig. P)

- Stop the mower and remove the battery.
- Cleaning the wheels every 50 hours or more frequently in extreme conditions.
- Remove the rear wheels and clean the grass clippings and debris from the wheel-gear area.
- It is suggested to apply a small amount of anti-seize compound to the gears(e) after cleaning.



Cleaning the air filter (See Fig. Q1, Q2)

1. Clean the area around the air filter. Use a damp cloth or a soft brush.
2. Unscrew and remove the air filter.
3. Wash the air filter with running water to remove the dirt.
4. Allow the air filter to dry in the air. And then install it in the housing by tightening the screw.



STORAGE

1. Stop the mower and remove the battery.
2. Clean the exterior of the machine thoroughly using a soft brush and cloth. Do not use solvents or polishes. Remove all grass and debris, especially from the ventilation slots, mulching plate, blade area and the wheels.
3. Store the machine in a dry place, where is out of the reach of children and other unauthorized people. Do not place other objects on top of the machine.
4. To aid storage, fold the handle bar.
5. Store the battery only within a temperature range between 5 °C (41 °F) and 25 °C (77 °F). As an example, do not leave the battery in the car in summer time.
6. If the machine becomes wet in the rain during operation, the machine and the battery should be dried before storing or charging. Remove the battery and reinsert it if the machine fails to turn on.

TROUBLESHOOTING

The following table gives problems and actions that you can perform if your machine does not operate correctly.



WARNING: Switch the machine off and remove the battery prior to any troubleshooting.

PROBLEM	SOLUTION
1. Mower doesn't run when operating bail is activated.	<p>A. Check to make sure that cutting blade start button is being completely pressed.</p> <p>B. Release operating bail to turn mower off. Remove the battery, turn mower over and check that blade is free to turn. If not free, return to an authorized servicer. Blade should turn freely.</p> <p>C. Has battery been fully charged? Plug in charger and wait for green light to come on.</p> <p>D. For starting, press both the cutting blade start button and pull the operating bail at the same time.</p>
2. Motor stops while mowing.	<p>A. Release operating bail to turn mower off. Remove the battery, turn mower over to check if mower is plugged with grass debris, remove debris from blade rotation area. Then, check that blade is free to turn. If not free, return to an authorized servicer. Blade should turn freely.</p> <p>B. Raise cutting height of wheels to highest position and start mower.</p> <p>C. Has battery been fully charged? Plug in charger and wait for green light to come on.</p> <p>D. Avoid overloading the mower. Slow down the cutting pace by pushing mower slower or raise the cut height. Or both.</p>
3. Mower runs but cutting performance is unsatisfactory, or does not cut entire lawn.	<p>A. Has battery been fully charged? Plug in charger and wait for green light to come on.</p> <p>B. Release operating bail to turn mower off. Remove the battery. Turn mower over and check: Blade for sharpness - Keep blade sharp. Deck and discharge chute for clogging.</p> <p>C. Wheel height adjustment may be set too low for grass condition. Raise cutting height.</p>
4. Mower is too hard to push.	<p>A. Raise cutting height to reduce deck drag on grass. Check each wheel for free rotation.</p>
5. Mower is abnormally noisy and vibrates.	<p>A. Release operating bail to turn mower off. Remove the battery. Turn mower on side and check blade to ensure it has not been bent or damaged. If blade is damaged, replace with a replacement blade. If the underside of the deck is damaged return mower to an authorized service center.</p> <p>B. If there is no visible damage to the blade and the mower still vibrates: Release operating bail to turn mower off, remove the battery, and remove the blade. Rotate blade 180 degrees and retighten. If mower still vibrates, return the mower to an authorized service center.</p>
6. Battery charger LED's not on.	<p>A. Check plug connection.</p> <p>B. Replace charger.</p>
7. Battery charger LED does not flip to green.	<p>A. Battery needs to be diagnosed. Take to authorized service center.</p>

8. Mower not picking up clippings with the grass collection bag.	A. Rear chute clogged. Release operating bail to turn mower off. Remove the battery. Clear chute of grass clippings. B. Too much cut grass. Raise cutting height of wheels to shorten length of the cut. C. Bag full. Empty bag more often.
9. When mulching there are clippings visible.	A. Too much cut grass. Raise cutting height of wheels to shorten length of the cut. Do not cut off more than 1/3 of total length. B. Check blade for sharpness. Always keep blade sharp. C. Reduce speed if grass is high or extremely thick.
10. Low or diminished run-time after many uses	A. Return to authorized service location - may need new battery.
11. Warning indicator is flashing.	A. Switch off the machine and remove the battery pack, then re-fit the battery pack and switch on the machine. B. Contact service agent

TECHNICAL DATA

Type Designation: **KC720 KC720.X (720-designation of machinery, representative of Reinforced Steel Deck SP Mower)**

	KC720 KC720.X **
Voltage	60V  Max***
Deck material	Reinforced steel -1.8 mm
Cutting width	47 cm
Max. SP Speed	6.4 km/h
Cutting height	20-80 mm
Cutting height positions	7
Grass collection capacity	70 L
Degree of protection	IPX4
Run time	70min@11Ah****
Machine weight (bare tool)	38 kg

** X=1-999,A-Z,M1-M9 they are only used for different customers, there are no safe relevant changes between these models.

*** Voltage measured without workload. Initial battery voltage reaches maximum of 60 volts. Nominal voltage is 54 volts.

**** Run time may vary depending on how the tool is used and grass conditions. The selected cutting speed level affects the battery's runtime. The lower the cutting speed level, the longer the run time.

SUGGESTED BATTERIES AND CHARGERS

Battery	Capacity	Charger	Amperage
KAC810	11 Ah	KAC840	30 A

We recommend that you purchase your accessories from the same Dealer that sold you the tool. Refer to the accessory packaging for further details. Your Dealer can assist you and offer advice.

TECHNICAL DATA FOR BATTERY PACK (OPTIONAL)

Frequency bands for Bluetooth	2400-2483.5 MHz
Maximum Output Power for Bluetooth	8 dBm

Positec Australia Pty Limited
10 Corporate Blvd Bayswater , VIC 3153, Australia



Copyright © 2024, Positec. All Rights Reserved.
AR01754200