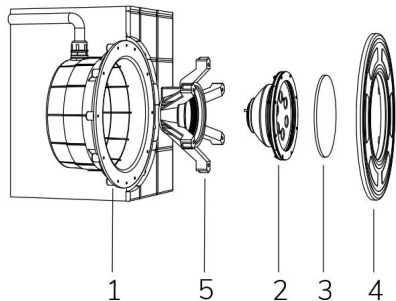




LED pool lamp with RGBW variable colour, ideal for large pools. PLC controlled. The standard PAR 56 dimension makes it possible to install as a replacement for traditional 300 W halogen lamps.

#### Technical data

Power supply	12 V AC
Current	6.05 A
Maximum power consumption	52 W
Apparent maximum power	64 VA
Insulation class	III
Connection	2 TERMINALS
Maximum cable length	22 m
Coverage area m2	25 - 30
Beam angle	120°
Number of LEDs	36
LED color	RGBW
Total luminous flux	2970 lm
White luminous flux	1260 lm
Red luminous flux	504 lm
Green luminous flux	864 lm
Blue luminous flux	216 lm
Body	AISI316L STEEL, GLASS
Weight	1 kg
Protection rating	IP68
Working conditions	EXCLUSIVELY IN THE WATER
Maximum ambient temperature	MAX +40 °C
Control signal	POWER LINE COMUNICATION



1. NICHE
2. LAMP
3. OPTICAL DIFFUSER
4. FRONT FLANGE
5. LAMP HOLDER RING

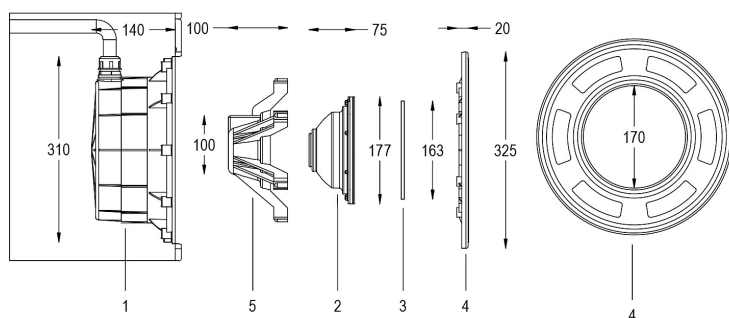
#### Related documentation:

Manuale utente IT:  
[man\\_4313173400\\_it.pdf](#)

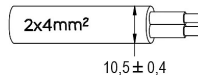
Certificato CE IT:  
[ce\\_4313173400\\_it.pdf](#)

User manual EN:  
[man\\_4313173400\\_en.pdf](#)

CE certification EN:  
[ce\\_4313173400\\_en.pdf](#)



FIX / RGBW OC:



RGBW DMX:

