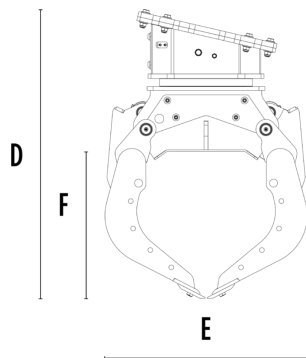
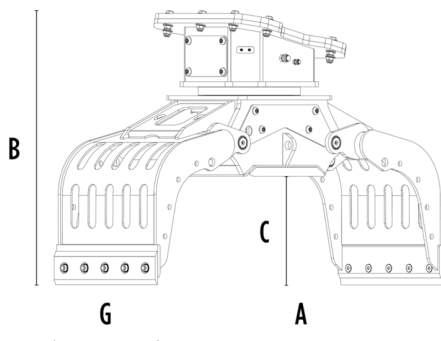


SORTING GRAPPLE

MB-G600 S4



SPECIFICATIONS

Recommended excavator	lb	15,430 - 26,460
Weight	lb	1,389
Capacity (claws closed)	cy	0.31
Rotation	Degree	360°
Oil pressure (rotation)	PSI	2,321 - 2,901
Oil flow rate (rotation)	gal/min	7 - 9
Maximum oil pressure (opening - closing)	PSI	3,626 - 4,351
Maximum oil flow rate (opening - closing)	gal/min	13 - 16
Size A	in	67
Size B	in	45
Size C	in	19
Size D	in	51
Size E	in	38
Size F	in	25
Size G	in	26

OPTIONAL ACCESSORIES

Multi-purpose blade kit	Clam shell kit
Serrated side plate kit	Grip improvement kit
Rubber protection kit	Rotation power extender kit
Electrical kit (for 2 hose functionality) 12 V	Remote power control system

APPLICATION AREAS



Demolitions



Road works



Quarry



Mines



Tunnels



Enclosed spaces



Pipelines



Urban construction site



Maintaining landscape and agricultural areas



Forest Maintenance

